



**Label Location for
uTrust TS ScrambleFactor Reader SF.3**

Confidential

Author	Sixtus Stanly
Version	1.0
Date	09 April 2024

Document History

Version	Date	Description of Change	Author
1.0	09-Apr-2024	Initial version	Sixtus Stanly

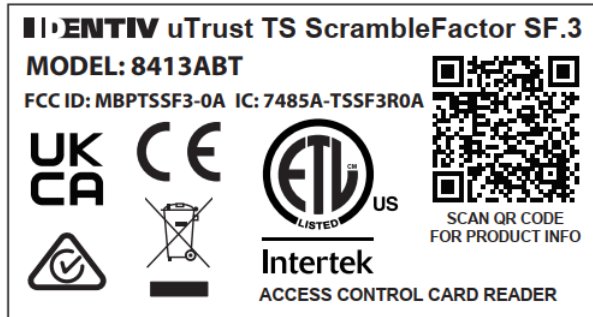
uTrust TS ScrambleFactor Reader

Contents

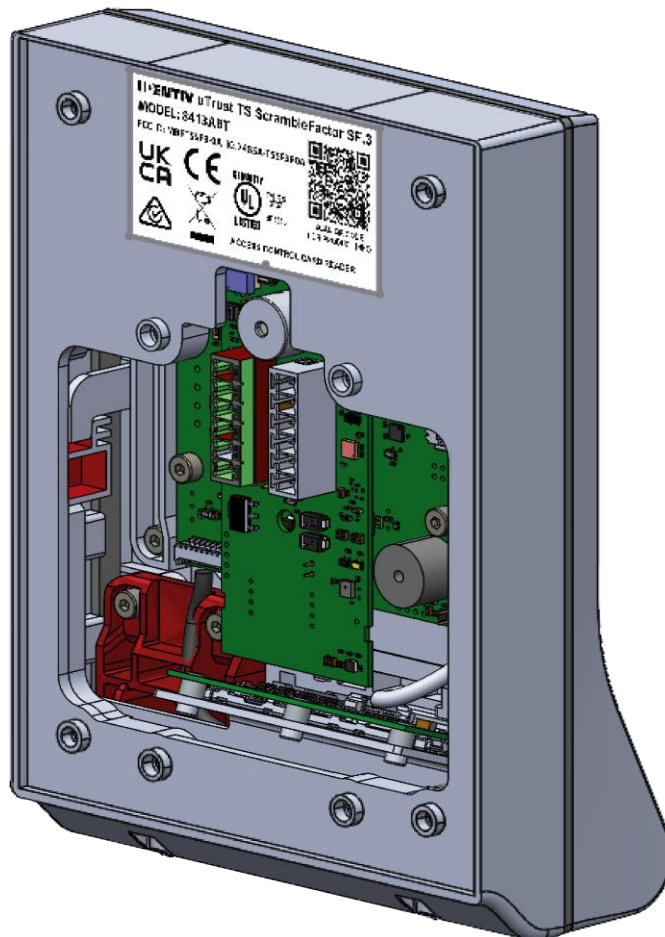
1.0	Product labels and locations	4
1.1	Certification label	4
1.2	Product label.....	5
1.3	Connector pin out label.....	6

1.0 Product labels and locations

1.1 Certification label

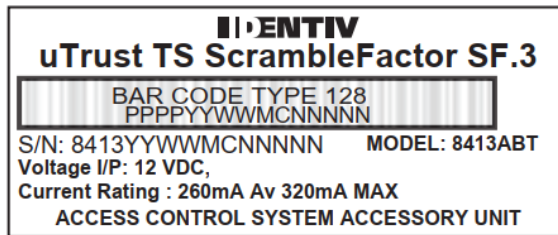


Label location

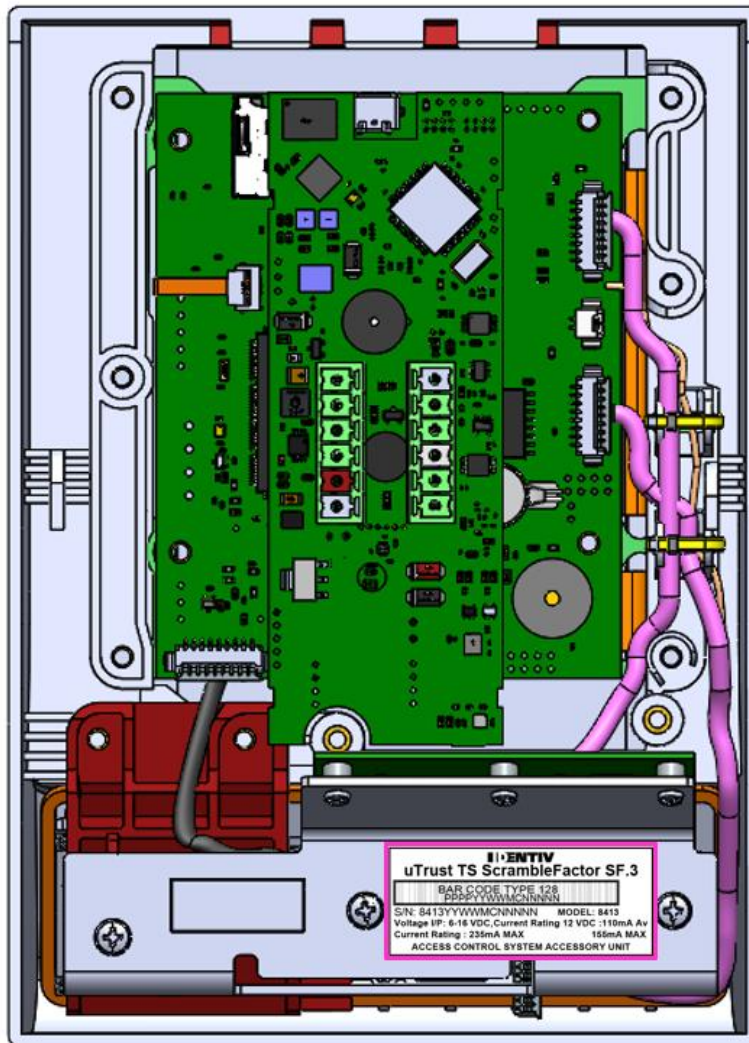


uTrust TS ScrambleFactor Reader

1.2 Product label



Label location



1.3 Connector pin out label

Buzzer			
ORANGE	LED GRN	HOLD	BLUE
WHITE	DATA1	TAMPER	VIOLET
GREEN	DATA0	RS485-	GRAY
BLACK	DRAIN	RS485+	PINK
BLACK+ WHITE	GND	BUZZER	YELLOW
RED	PWR	LED RED	BROWN

Label location

