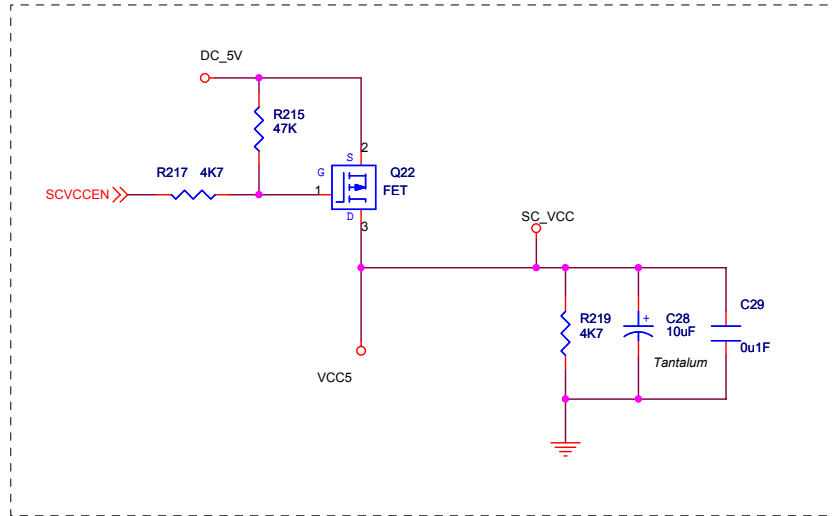
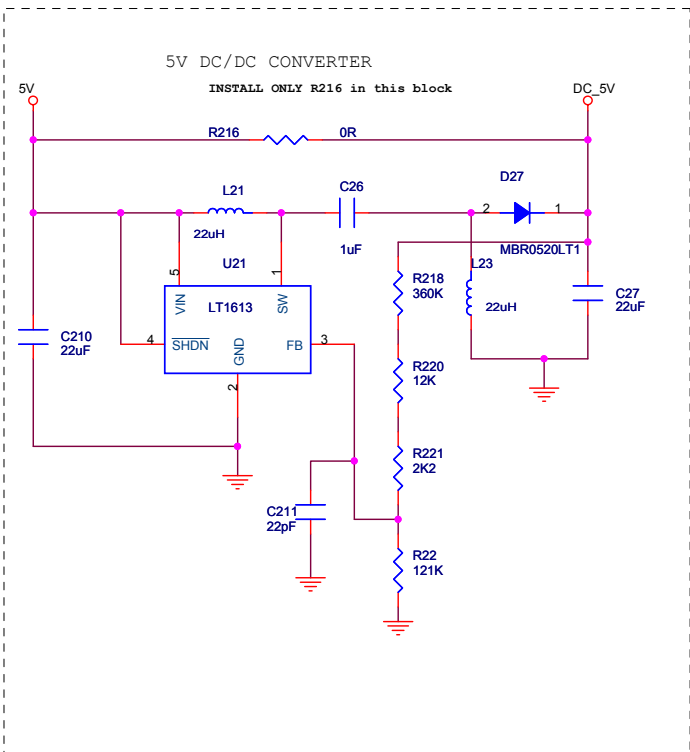
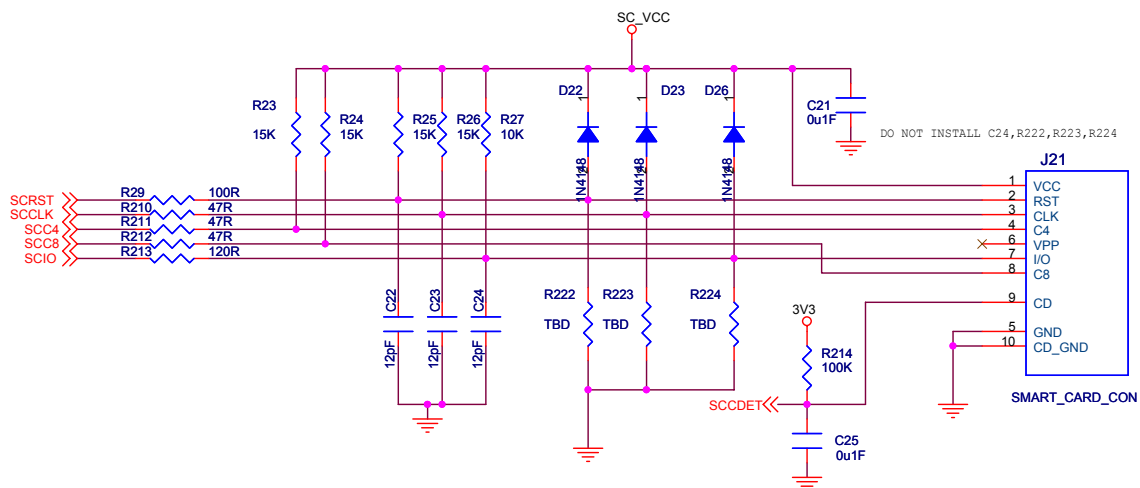


1.9MM PTH fo shield

SCM CONFIDENTIAL

Secure Micro Technologies				
PROJECT NAME / ID				
SCR 331 DI				
Size	Sheet Title	Designer	Sixtus	Rev
B	STC II Interface	Reviewer	Manix	1.4F
Date:	26 Jul 2004	Sheet	1	of 4

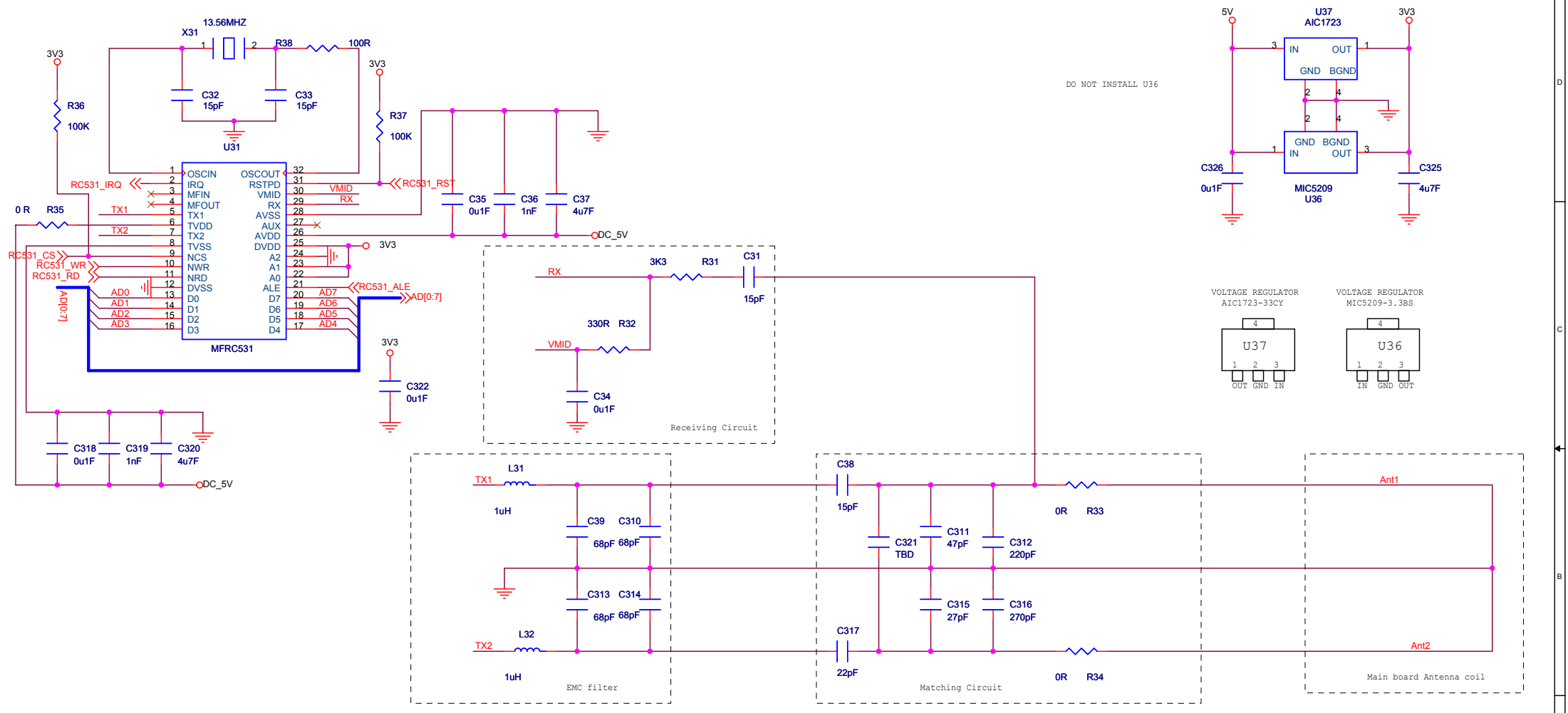


5V DC to DC converter

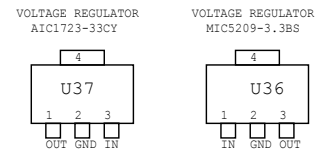
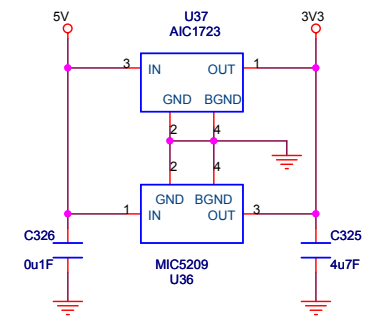
SCM CONFIDENTIAL

Secure Micro Technologies

PROJECT NAME / ID				
SCR 331 DI				
Size	Sheet Title	Designer	Sixtus	Rev
B	SC interface	Reviewer	Manix	1.4F
Date:	26 Jul 2004	Sheet	2 of 4	



DO NOT INSTALL U36



All Capacitors in the EMC Filter, Matching circuit and Receiver Ckt should be 2% tolerance components

All Resistors in the Receiver Ckt should be 1% tolerance Components

SCM CONFIDENTIAL

Secure Micro Technologies					
PROJECT NAME / ID					
SCR 331 DI					
Size	Sheet Title	Designer	Sixtus	Reviewer	Rev
B	Contactless Interface	Manix			1.4F
Date:	26 Jul 2004	Sheet	3	of	4

DATE	REV.NO	DESCRIPTION
26 NOV 2002	0	INITIAL RELEASE
8 Jan 2003	0.1	1.Separate Address/Data bus to interface RC531 to STC II 2.L22 removed and RC531 Pin 21 tied to 3v3 3.USB cable and Dual LED changed 4.C15,C16,C17 removed (by Alex)
3 Mar 2003	1.0	D11,C110,D24,D25,D21,D28 removed - Comp. reduction Dual LED changed . Antenna design /header changed- New antenna design concept R35,R36,R37,R222,R223,R224 added -EMV recommendation & Antenna isolation DC-DC converter Shutdown option removed
28 April 2003	1.1	R36,R37,R38 & J31 removed(Ext. Antenna board option removed) No. of turns of the antenna increased from 2 to 4 in the main PCB R13,R14 value changed from 39 R to 33 R
6 MAY 2003	1.1A	R21 & R28 Removed PCB foot prints updated as requested by Easter (for DFM) Option for ITT SC connector removed in PCB
9 June 2003	1.2	STC II To RC531 interface changed to MCU interface. Antenna tuning values updated. R36,R37 added
2 July 2003	1.2A	R31 Value changed to 2k2 R36 & R37 Value changed to 100K.
2 July 2003	1.3	Antenna Dimension changed. R38,C322 added .EMC filter inductor changed to TDK inductor.
14 May 2004	1.4	Changed the Rev to synchronize with PCB
22 June 2004	1.4E	Changed R13 and R14 to 47R from 33R Changed C38 to 15pF,C317 to 22pF,C311 to 47pF and C315 to 27pF from 220pF Changed C312 to 220pF and C316 to 270pF, from 47pF Chnaged R35 to Ferrite Bead FAM-N1-321611-152 (SMD 1206) Changed R31 to 3K3 and R32 to 330R
26 Jul 2004	1.4F	Changed R35 to 0R (1206) from Ferrite Bead FAM-N1-321611-152

SCM CONFIDENTIAL

Secure Micro Technologies					
PROJECT NAME / ID					
SCR 331 DI					
Size	Sheet Title	Revision History	Designer	Sixtus	Rev
Custom			Reviewer	Manix	1.4F
Date:	26 Jul 2004	Sheet	4	of	4
			1		