

DENON[®]

PMA-600NE

INTEGRATED AMPLIFIER

Owner's Manual

[Front panel](#)[Rear panel](#)[Remote control
unit](#)[Index](#)

Accessories	4
Inserting the batteries	5
Operating range of the remote control unit	5
Features	6
High quality sound	6
High performance	6
Part names and functions	7
Front panel	7
Rear panel	10
Remote control unit	12

Connections

Connecting speakers	17
Subwoofer connection	18
Speaker connection	18
Connecting a playback device	19
Connecting a recording device	20
Connecting to a device with digital audio output connectors	21
Connecting the power cord	22

Playback

Turning the power on	24
Switching the power to standby	24
Selecting the input source	25
Adjusting the volume	25
Turning off the sound temporarily (Muting)	25
Adjusting the tone	25
Playing CDs	26
Listening to music on a Bluetooth device	28
Connecting and playing back from a digital device (Coaxial/ Optical)	30
Recording	31

Settings

Setting the Auto Standby mode	32
--------------------------------------	-----------



Tips

Tips	34
Troubleshooting	35
Power does not turn on / Power is turned off	36
Operations cannot be performed through the remote control unit	37
No sound comes out	38
Desired sound does not come out	39
Sound is interrupted or noise occurs	40
Bluetooth cannot be played back	41
Audio from digital devices cannot be played back (Coaxial/ Optical)	42

Appendix

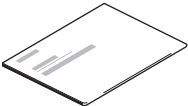
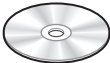

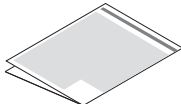
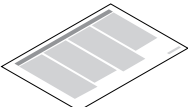
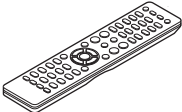
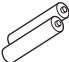
D/A converter	43
Playing back a Bluetooth device	43
Explanation of terms	44
Trademark information	45
Specifications	46
Index	50



Thank you for purchasing this Denon product. To ensure proper operation, please read this owner's manual carefully before using the product. After reading this manual, be sure to keep it for future reference.

Accessories

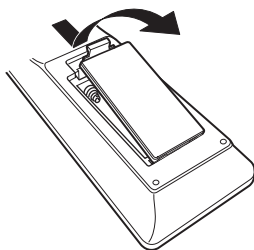
Check that the following parts are supplied with the product.

 Quick Start Guide	 CD-ROM (Owner's Manual)	 Safety Instructions	 Cautions on Using Batteries
 Notes on radio	 Remote control unit (RC-1234)	 R03/AAA batteries	

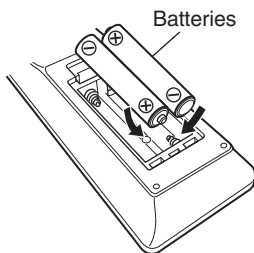


Inserting the batteries

- 1 Remove the rear lid in the direction of the arrow and remove it.



- 2 Insert two batteries correctly into the battery compartment as indicated.



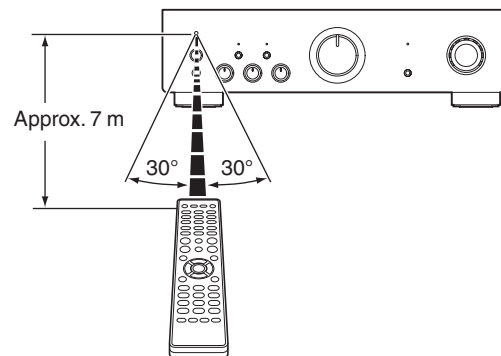
- 3 Put the rear cover back on.

NOTE

- To prevent damage or leakage of battery fluid:
 - Do not use a new battery together with an old one.
 - Do not use two different types of batteries.
- Remove the batteries from the remote control unit if it will not be in use for long periods.
- If the battery fluid should leak, carefully wipe the fluid off the inside of the battery compartment and insert new batteries.

Operating range of the remote control unit

Point the remote control unit at the remote sensor when operating it.



Features

High quality sound

- **Equipped with an advanced high current single push-pull circuit that achieves a perfect balance of delicacy with power**
This unit is equipped with a HC transistor that allows a peak current that is two to three times that of an ordinary audio power transistor, enabling clear and stable musical expression from minute sound to high volumes.

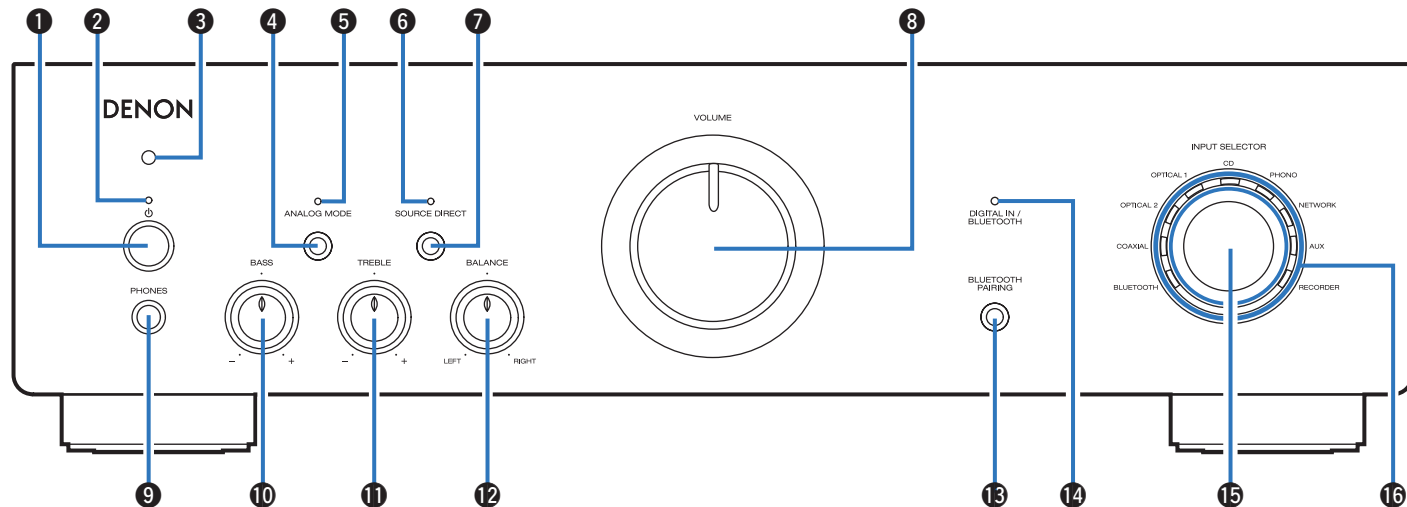
High performance

- **DIGITAL AUDIO IN connectors (COAXIAL/OPTICAL)**
You can play back PCM signals up to 192 kHz/24 bits by inputting digital audio signals from an external device into this unit.
- **Phono input connectors for turntables**
This unit is equipped with a phono amplifier so that you can directly connect a turntable and play records. (Only the MM cartridge can be used.)



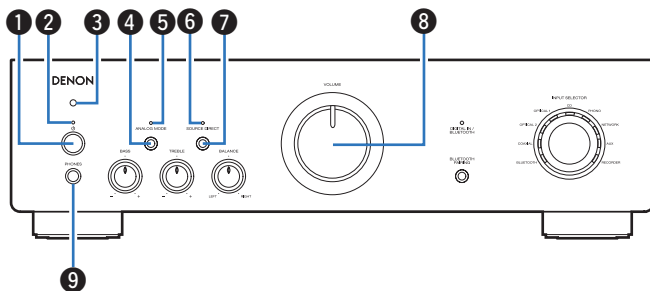
Part names and functions

Front panel



For details, see the next page.





❶ Power operation button (⏻)

This turns the power on/off. (👉 p. 24)

❷ Power indicator

This is displayed as follows according to the power status:

- Lit in green: Power on
- Lit in red: Bluetooth standby (👉 p. 27)
- Off: Normal standby

❸ Remote control sensor

This receives signals from the remote control unit. (👉 p. 5)

❹ ANALOG MODE button

This turns the analog mode on/off.
(👉 p. 27)

❺ ANALOG MODE indicator

This is displayed as follows, according to the analog mode status.

- Lit in green: Analog mode on
- Off: Analog mode off

❻ SOURCE DIRECT indicator

This is displayed as follows according to the source direct status.

- Lit in green: Source direct mode on
- Off: Source direct mode off

❼ SOURCE DIRECT button

This turns source direct mode on/off. (👉 p. 26)

❽ VOLUME knob

This adjusts the volume level. (👉 p. 25)

❾ HEADPHONES jack (PHONES)

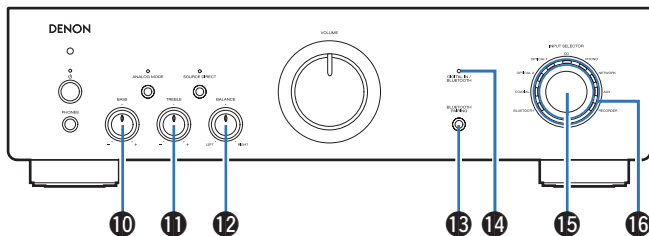
Used to connect headphones.

When the headphones are plugged into this jack, audio will no longer be output from the connected speakers or from the PRE OUT connectors.

NOTE

- To prevent hearing loss, do not raise the volume level excessively when using headphones.





10 BASS control knob

This setting adjusts the volume level for the bass. (👉 p. 25)

11 TREBLE control knob

This setting adjusts the volume level for the treble. (👉 p. 25)

12 BALANCE control knob

This adjusts the balance of the volume output from the left and right speakers. (👉 p. 25)

13 BLUETOOTH/PAIRING button

This switches the input source to "BLUETOOTH". It is also pressed during the pairing operation. (👉 p. 28)

14 DIGITAL IN/BLUETOOTH indicator

- This is displayed as follows, according to the status of the digital audio signals that are input to the digital audio input terminals on this unit.
 - Lit in green: Playback is supported on this unit
 - Blinking in green: Playback is not supported on this unit
 - Off: Sampling frequency cannot be detected



- For details on the audio signal specifications that are compatible with this unit, see "D/A converter" (👉 p. 43).

- This is displayed as follows according to the Bluetooth connection status:
 - Blinking in blue (intervals of about 1 second): Pairing mode
 - Blinking in blue (intervals of about 2 seconds): Searching mode (searching for a paired Bluetooth device and attempting to connect via Bluetooth)
 - Lit in blue: Connecting mode (a Bluetooth connection has been made with a Bluetooth device)
 - Off: Waiting mode (a Bluetooth connection has not been made with any Bluetooth device)

15 INPUT SELECTOR knob

This selects the input source. (👉 p. 25)

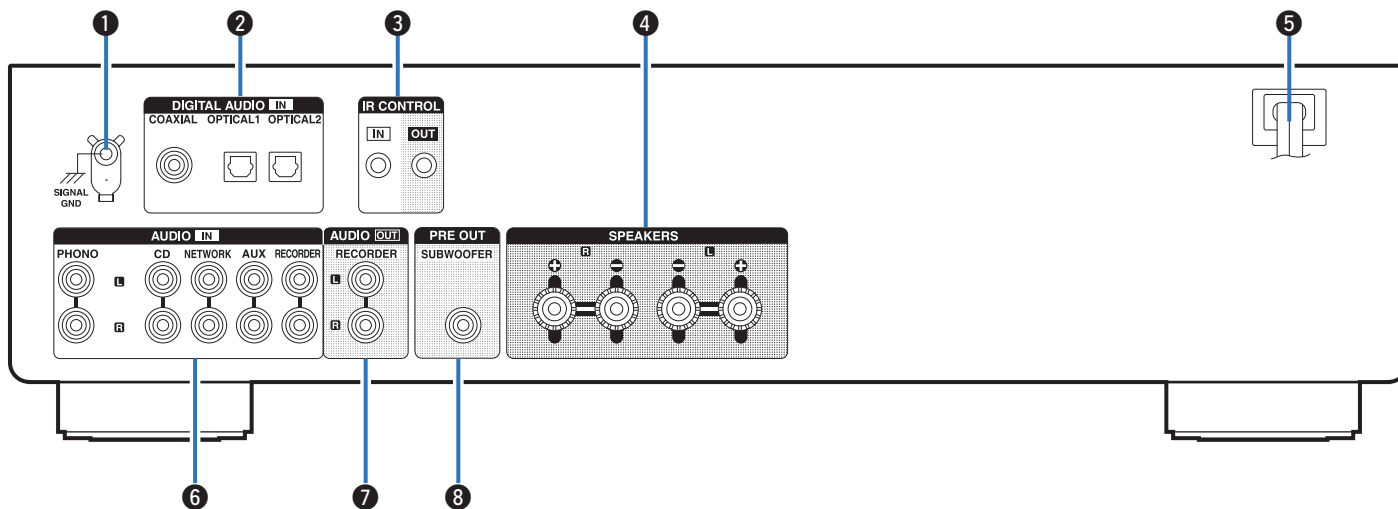
16 Input indicators (👉 p. 25)



- 10, 11 and 12 can be adjusted when 6 is off (SOURCE DIRECT mode is off).

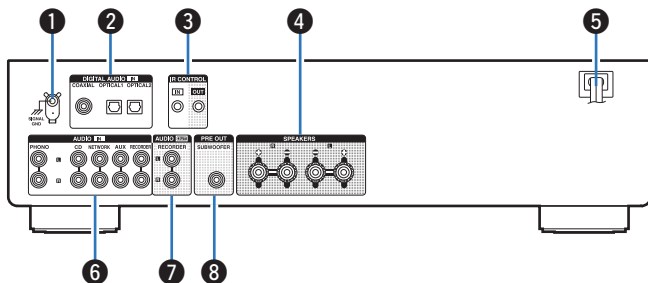


Rear panel



For details, see the next page.





1 SIGNAL GND terminal

Used to connect the ground wire of a turntable.
(☞ p. 19)

2 DIGITAL AUDIO IN connectors

Used to connect devices equipped with digital audio output connectors.
(☞ p. 21)

3 IR CONTROL connectors

Used to connect Denon network audio players with an IR controller.

4 Speaker terminals (SPEAKERS)

Used to connect speakers. (☞ p. 17)

5 Power cord (☞ p. 22)

6 Analog audio connectors (AUDIO IN)

Used to connect devices equipped with analog audio output connectors.

- “Connecting a playback device” (☞ p. 19)
- “Connecting a recording device” (☞ p. 20)

7 AUDIO OUT connectors

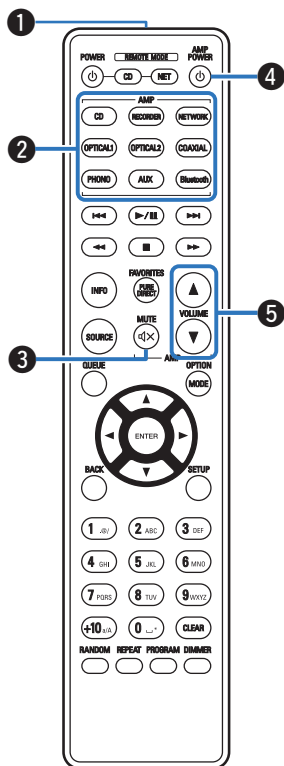
Used to connect the input connector of a recorder. (☞ p. 20)

8 PRE OUT connector

Used to connect a subwoofer with a built-in amplifier.
(☞ p. 18)



Remote control unit



The remote control provided with this unit can control a network audio player in addition to a Denon CD player.

- “CD player operations” (👉 p. 13)
- “Network audio player operations” (👉 p. 14)

■ Operating this unit

1 Remote control signal transmitter

This transmits signals from the remote control unit. (👉 p. 5)

2 Input source select buttons

This selects the input source. (👉 p. 25)

3 MUTE button (🔇)

This mutes the output audio. (👉 p. 25)

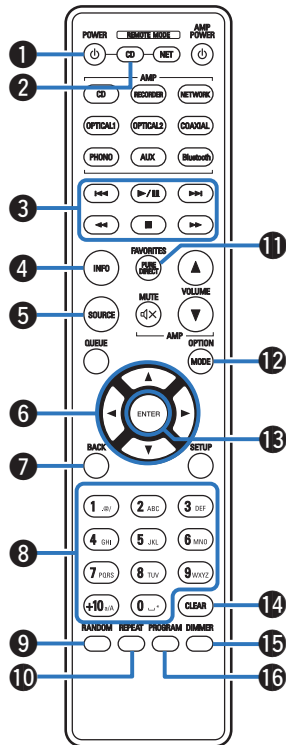
4 Power operation button (AMP POWER ⏻)

This turns the power on/off (standby).
(👉 p. 24)

5 VOLUME buttons (▲▼)

These adjust the volume level. (👉 p. 25)





CD player operations

A Denon CD player can be operated.

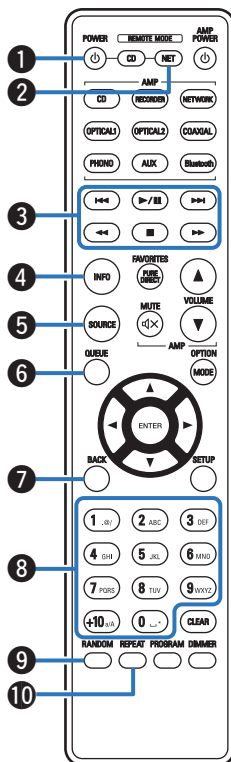
To operate a CD player, press the REMOTE MODE CD button to switch the remote control to the CD player operation mode.

- 1 Power operation button (POWER ϕ)
- 2 Remote mode select button (REMOTE MODE CD)
- 3 System buttons
- 4 Information button (INFO)
- 5 SOURCE button
- 6 Cursor buttons ($\Delta \nabla \triangleleft \triangleright$)
- 7 BACK button
- 8 Number/letter buttons (0 – 9, +10)
- 9 RANDOM button
- 10 REPEAT button
- 11 PURE DIRECT button
- 12 MODE button
- 13 ENTER button
- 14 CLEAR button
- 15 DIMMER button
- 16 PROGRAM button



- The remote control may not operate some products.





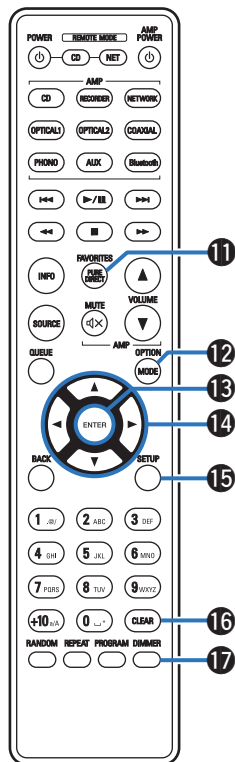
Network audio player operations

You can operate a Denon network audio player.

To operate a network audio player, press the REMOTE MODE NET button to switch the remote control to the network audio player operation mode.

- 1 Power operation button (POWER ϕ)
- 2 Remote mode select button (REMOTE MODE NET)
- 3 System buttons
- 4 Information button (INFO)
- 5 SOURCE button
- 6 QUEUE button
- 7 BACK button
- 8 Number/letter buttons (0 – 9, +10)
- 9 RANDOM button
- 10 REPEAT button





- 11 FAVORITES button
- 12 OPTION button
- 13 ENTER button
- 14 Cursor buttons ($\Delta \nabla \triangleleft \triangleright$)
- 15 SETUP button
- 16 CLEAR button
- 17 DIMMER button



- The remote control may not operate some products.



■ Contents

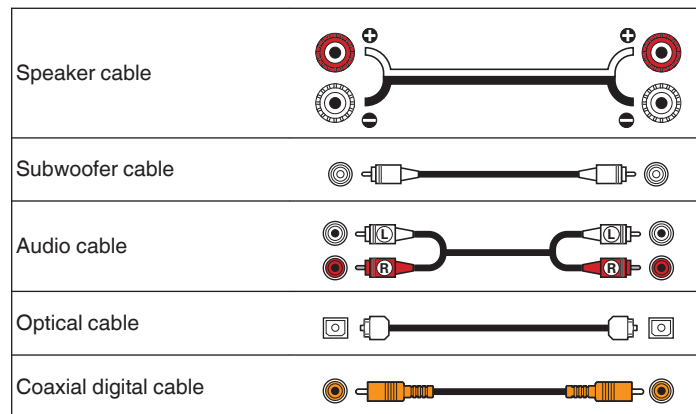
Connecting speakers	17
Connecting a playback device	19
Connecting a recording device	20
Connecting to a device with digital audio output connectors	21
Connecting the power cord	22

NOTE

- Do not plug in the power cord until all connections have been completed.
- Do not bundle power cords together with connection cables. Doing so can result in humming or noise.

■ Cables used for connections

Provide necessary cables according to the devices you want to connect.



Connecting speakers

NOTE

- Disconnect this unit's power plug from the power outlet before connecting the speakers. Also, turn off the subwoofer.
- Connect so that the speaker cable core wires do not protrude from the speaker terminal. The protection circuit may be activated if the core wires touch the rear panel or if the + and - sides touch each other. ("Protection circuit" (p. 44))
- Never touch the speaker terminals while the power cord is connected. Doing so could result in electric shock.
- Use speakers with an impedance of 4 – 16 Ω /ohms.

■ Connecting the speaker cables

Carefully check the left (L) and right (R) channels and + (red) and – (black) polarities on the speakers being connected to this unit, and be sure to connect the channels and polarities correctly.

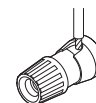
- 1** Peel off about 10 mm of sheathing from the tip of the speaker cable, then either twist the core wire tightly or terminate it.



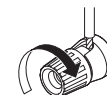
- 2** Turn the speaker terminal counterclockwise to loosen it.



- 3** Insert the speaker cable's core wire to all the way into the speaker terminal.

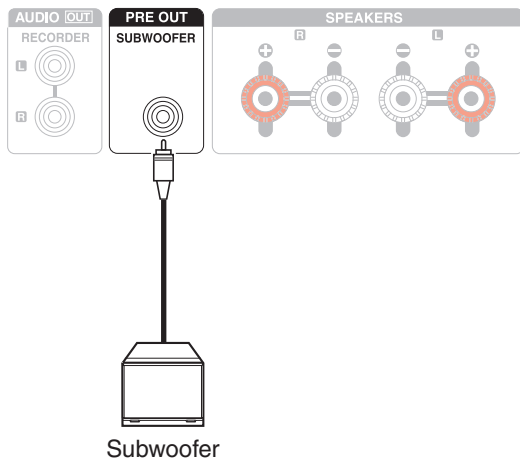


- 4** Turn the speaker terminal clockwise to tighten it.

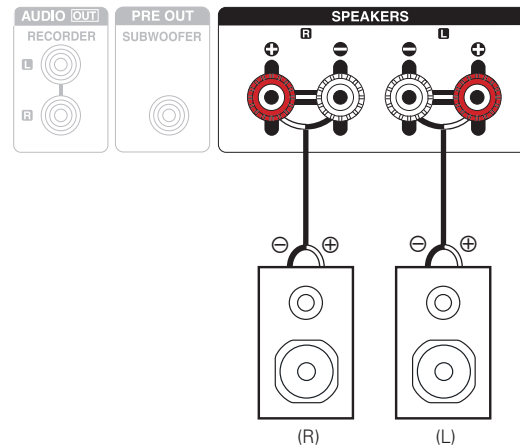


Subwoofer connection

Use a subwoofer cable to connect the subwoofer.



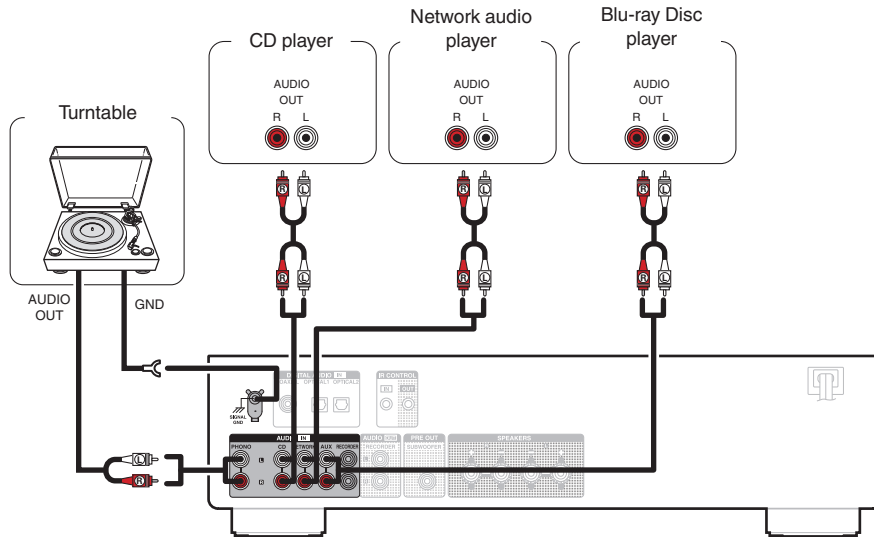
Speaker connection



Connecting a playback device

You can connect turntables, CD players, network audio players and Blu-ray Disc players to this unit.

If you set this unit's input source to "PHONO" and you accidentally increase the volume without having a turntable connected, you may hear a hum noise from the speakers.



NOTE

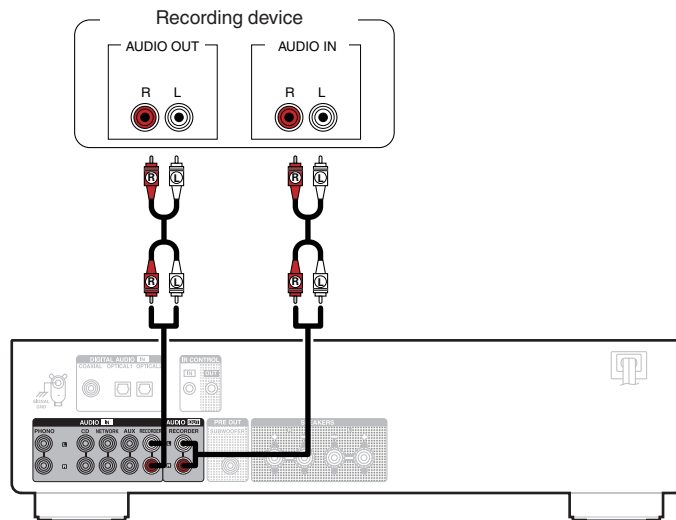
- The earth terminal (SIGNAL GND) of this unit is not for safety grounding purposes. If this terminal is connected when there is a lot of noise, the noise can be reduced. Note that depending on the turntable, connecting the ground line may have the reverse effect of increasing noise. In this case, it is not necessary to connect the ground line.



- The PHONO input terminals are equipped with a short pin-plug. Remove this plug to connect a record player. Store the removed short pin-plug in a safe place so as not to lose it.



Connecting a recording device



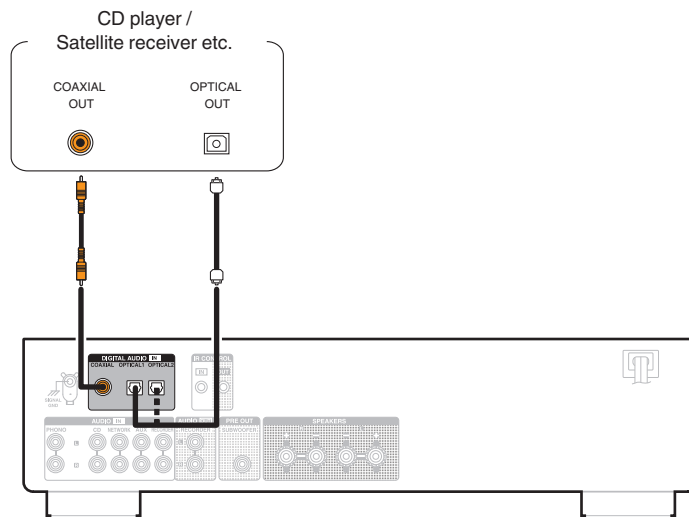
NOTE

- Never insert the short-circuiting pin plug into the RECORDER output connectors. Doing so could result in damage.



Connecting to a device with digital audio output connectors

Input digital audio signals to this unit and convert the signals for playback using the D/A converter of this unit. (👉 p. 30)



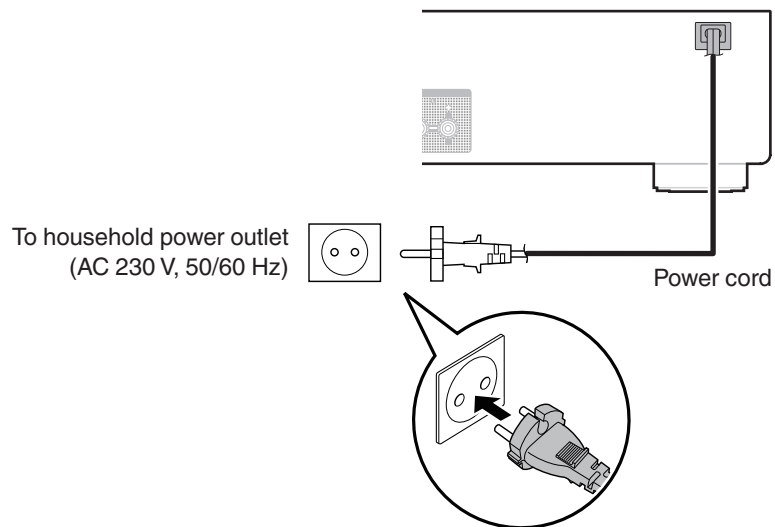
NOTE

- Linear PCM signals with a sampling frequency of 32 kHz, 44.1 kHz, 48 kHz, 88.2 kHz, 96 kHz, 176.4 kHz, or 192 kHz can be input into this unit.
- Do not input non-PCM signals, such as Dolby Digital, DTS and AAC. This causes noise and could damage the speakers.



Connecting the power cord

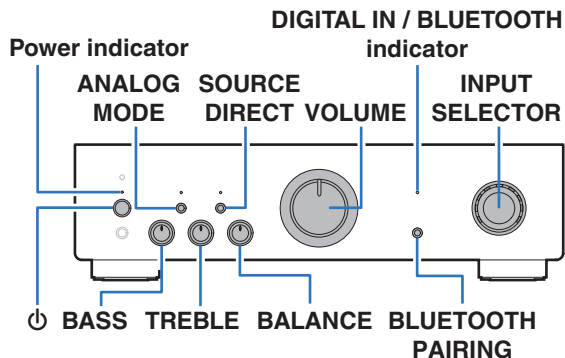
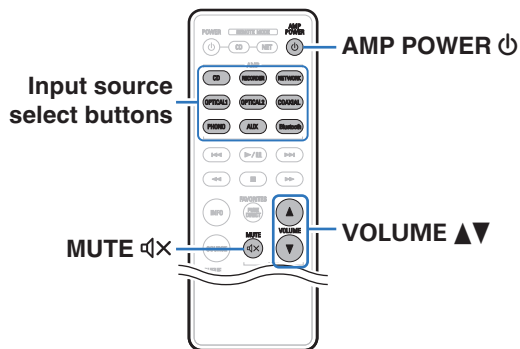
After completing all the connections, insert the power plug into the power outlet.



■ Contents

Turning the power on	24
Switching the power to standby	24
Selecting the input source	25
Adjusting the volume	25
Turning off the sound temporarily (Muting)	25
Adjusting the tone	25
Playing CDs	26
Listening to music on a Bluetooth device	28
Connecting and playing back from a digital device (Coaxial/ Optical)	30
Recording	31





Turning the power on

1 Press on the main unit to turn the power on.

The power indicator lights green.



- Press AMP POWER  on the remote control unit to turn on power from standby mode.

NOTE


- Turn VOLUME on the main unit to adjust the volume to the lowest level before turning on the power.

Switching the power to standby

1 Press AMP POWER .

The unit switches to standby mode.

NOTE

- Power continues to be supplied to some of the circuitry even when the power is in the standby mode. When leaving home for long periods of time or when going on vacation, either press  on the main unit to turn off the power, or unplug the power cord from the power outlet.



Selecting the input source

1 Press the input source select button to be played back.

The indicator of the selected input source lights.



- You can also select the input source by turning INPUT SELECTOR on the main unit.

Adjusting the volume

1 Use VOLUME ▲▼ to adjust the volume.



- You can also adjust the volume by turning VOLUME on the main unit.

Turning off the sound temporarily (Muting)

1 Press MUTE .

The power indicator flashes green.



- To cancel mute, press MUTE  again.

Adjusting the tone

1 Press SOURCE DIRECT on the main unit to turn off source direct mode.

The SOURCE DIRECT indicator turns off.

2 Turn the BASS, TREBLE and BALANCE to adjust the tone.



Playing CDs

This section uses playback from a CD as an example.

- 1 Press the input source select button (CD) to switch the input source to “CD”.**
The “CD” input indicator lights.
- 2 Playback the CD.**
- 3 Use VOLUME ▲▼ to adjust the volume.**

■ Playback in source direct mode

The signal does not pass through the tone adjustment circuitry (BASS, TREBLE and BALANCE), resulting in playback of a higher sound quality.

- 1 Press SOURCE DIRECT on the main unit to turn on source direct mode.**
The SOURCE DIRECT indicator lights.



■ Playback in ANALOG MODE

If analog mode is turned on when playing an analog input source (PHONO, CD, NETWORK, AUX, RECORDER), power to the digital input circuit and Bluetooth module is turned off. This enables you to enjoy audio playback with high sound quality without sound quality being affected by noise that occurs from the digital control circuit.

1 Press ANALOG MODE on the main unit to turn analog mode on.

ANALOG MODE indicator lights.

- Analog mode switches on or off each time the button is pressed.

Analog mode on:	The power of the digital input circuit and Bluetooth module is turned off.
Analog mode off:	Analog mode is not used.



- A digital input source (“COAXIAL”, “OPTICAL 1”, “OPTICAL 2”) or “BLUETOOTH” source cannot be selected when analog mode is on.
- The input source automatically switches to “CD” if analog mode is turned on during playback of a digital input source (“COAXIAL”, “OPTICAL 1”, “OPTICAL 2”) or “BLUETOOTH” source.
- When the analog mode is switched, the mute circuit is activated for about 5 seconds.



Listening to music on a Bluetooth device

Music files stored on Bluetooth devices such as smartphones, digital music players, etc. can be enjoyed on this unit by pairing and connecting this unit with the Bluetooth device.

In order to enjoy music from a Bluetooth device on this unit, the Bluetooth device must first be paired with this unit.

Once the Bluetooth device has been paired, it does not need to be paired again.



- Communication is possible up to a range of about 30 m.
- To play back music from a Bluetooth device, the Bluetooth device needs to support the A2DP profile.

1 Press the input source select button (Bluetooth) to switch the input source to “BLUETOOTH”.

When using for the first time, the unit will go into the pairing mode automatically and the DIGITAL IN/BLUETOOTH indicator will blink in blue in intervals of about 1 second.



- The Bluetooth function does not work when analog mode is on. Turn the analog mode off. (☞ p. 27)

2 Activate the Bluetooth settings on your Bluetooth device.

3 Select this unit when its name appears in the list of devices displayed on the screen of the Bluetooth device.

The DIGITAL IN/BLUETOOTH indicator lights in blue when pairing is complete.

- Connect the Bluetooth device while the DIGITAL IN/BLUETOOTH indicator is blinking in blue in intervals of about 1 second. Perform the connection with the Bluetooth device close to the unit (within about 1 m).



4 Play music using any app on your Bluetooth device.

- The next time the input source is switched to “BLUETOOTH”, this unit automatically connects to the last Bluetooth device that was connected.



- When this unit's name is not displayed in the screen on the Bluetooth device, search for devices on the Bluetooth device.
- Enter “0000” when the password is requested on the screen of the Bluetooth device.
- The pairing mode on this unit lasts for approx. 5 minutes. When the pairing mode on this unit is canceled before the pairing is completed, retry from step 1.
- This unit cannot perform pairing against a Bluetooth device with a pass key other than “0000”.

■ Pairing with other Bluetooth devices

Pair a Bluetooth device with this unit.

1 Activate the Bluetooth settings on your Bluetooth device.

2 Press and hold the input source switching button (Bluetooth) for at least 3 seconds.

The device will go into the pairing mode.

- You can also switch to pairing mode by pressing and holding BLUETOOTH PAIRING on this unit for at least 3 seconds.

3 Select this unit when its name appears in the list of devices displayed on the screen of the Bluetooth device.

When pairing is completed, the DIGITAL IN/BLUETOOTH indicator is lit in blue.



- This unit can be paired with a maximum of 8 Bluetooth devices. When a 9th Bluetooth device is paired, it will be registered in place of the oldest registered device.
- Enter “0000” when the password is requested on the screen of the Bluetooth device.



■ Reconnecting to this unit from a Bluetooth device

After pairing is completed, the Bluetooth device can be connected without performing any operations on this unit.

This operation also needs to be performed when switching the Bluetooth device for playback.

- 1 If a Bluetooth device is currently connected, deactivate the Bluetooth setting of that device to disconnect it.**
- 2 Activate the Bluetooth setting of the Bluetooth device to be connected.**
- 3 Select this unit from the Bluetooth device list on your Bluetooth device.**
- 4 Play music using any app on your Bluetooth device.**



- When the power of this unit is turned on and analog mode is off, the input source will be automatically switched to "BLUETOOTH" if a Bluetooth device is connected.
- When a Bluetooth device is connected with the unit while on Bluetooth standby state (while the power indicator is lit in red), the power of the unit will be turned on automatically. To enable Bluetooth standby, set this unit to standby when analog mode is off. (☞ p. 27)

Connecting and playing back from a digital device (Coaxial/Optical)

- 1 Connect digital device to this unit.** (☞ p. 21)
- 2 Press the input source select button (COAXIAL, OPTICAL 1 or OPTICAL 2) to switch the input source to "COAXIAL", "OPTICAL 1" or "OPTICAL 2".**
The indicator of the selected input source lights.
- 3 Start playback of the digital device connected to this unit.**
The DIGITAL IN/BLUETOOTH indicator lights in green.



- The DIGITAL IN/BLUETOOTH indicator blinks in green when audio signals that are not supported by this unit are input.
- If the sampling frequency cannot be detected, the DIGITAL IN/BLUETOOTH indicator turns off.



■ Audio signals that can be played back


See “D/A converter” (👉 p. 43).

NOTE

- Do not input non-PCM signals, such as Dolby Digital, DTS and AAC. This causes noise and could damage the speakers.
- If the sampling frequency switches, the sound may be cut for 1–2 seconds.

Recording

Audio signals input into this unit can be output to an external recording device. When recording audio from a playback device connected to this unit, audio can be recorded with the playback device still connected to this unit.

- 1 Press  on the main unit to turn the power on.**
- 2 Press the input source select button to switch to the input source from which you want to record.**
The indicator of the selected input source lights.
- 3 Recording starts.**
 - For information on operations, see the owner’s manual of the recording device.



Setting the Auto Standby mode

You can set the unit to automatically switch to standby mode if the unit is not operated for 30 minutes when there is no audio input (Auto Standby mode).

Auto Standby mode is set to on by default.



AMP POWER 

1 Press and hold AMP POWER for 5 seconds or more to switch it on and off.

The power indicator changes as follows each time it is switched on and off.

- When auto standby mode is on: The power indicator blinks in green three times.
- When auto standby mode is off: The power indicator blinks in green once.



■ Contents

Tips

I want to turn on power to this unit from a Bluetooth device	34
I want to adjust the tone myself	34
I want sound playback that is faithful to the original sound	34
I want to enjoy higher sound quality from the analog input source	34

Troubleshooting

Power does not turn on / Power is turned off	36
Operations cannot be performed through the remote control unit	37
No sound comes out	38
Desired sound does not come out	39
Sound is interrupted or noise occurs	40
Bluetooth cannot be played back	41
Audio from digital devices cannot be played back (Coaxial/Optical)	42



Tips

I want to turn on power to this unit from a Bluetooth device

- When this unit is on Bluetooth standby (the power indicator is lit in red), the power of this unit can be turned on by selecting this unit from the device list on a Bluetooth device paired with this unit. (👉 p. 30)

I want to adjust the tone myself

- Use the BASS, TREBLE and BALANCE knobs to adjust the sound as desired. (👉 p. 25)

I want sound playback that is faithful to the original sound

- Set the source direct mode on. (👉 p. 26)

I want to enjoy higher sound quality from the analog input source

- Set the analog mode on. (👉 p. 27)



Troubleshooting

If a problem should arise, first check the following:

1. **Are the connections correct?**
2. **Is the set being operated as described in the owner's manual?**
3. **Are the other devices operating properly?**

If this unit does not operate properly, check the corresponding symptoms in this section.

If the symptoms do not match any of those described here, consult your dealer as it could be due to a fault in this unit. In this case, disconnect the power immediately and contact the store where you purchased this unit.



Power does not turn on / Power is turned off

Power is not turned on.

- Check whether the power plug is correctly inserted into the power outlet. (🔍 p. 22)

Power automatically turns off.

- The Auto Standby mode setting is on. The Auto Standby mode switches the unit to standby mode when there is no audio input and the unit is not operated for approximately 30 minutes. To disable the Auto Standby mode, press and hold the AMP POWER ⏻ button for more than 5 seconds when the Auto Standby mode is enabled. (🔍 p. 32)

The power turns off and the power indicator shows one long blink and four short blinks in red.

- The protection circuit has been activated due to a rise in temperature within this unit. Turn the power off, wait about an hour until this unit cools down sufficiently, and then turn the power on again. (🔍 p. 44)
- Please re-install this unit in a place having good ventilation.

The power turns off and the power indicator shows one long blink and five short blinks in red.

- Check the speaker connections. The protection circuit may have been activated because speaker cable core wires came in contact with each other or a core wire was disconnected from the connector and came in contact with the rear panel of this unit. After unplugging the power cord, take corrective action such as firmly re-twisting the core wire or taking care of the connector, and then reconnect the wire. (🔍 p. 17)
- Turn down the volume and turn on the power again. (🔍 p. 24)

When the power is turned on, the power indicator shows one long blink and three or six short blinks in red.

- This unit's amplifier circuit has failed. Unplug the power cord and contact our customer service center.



Operations cannot be performed through the remote control unit

Operations cannot be performed through the remote control unit.

- Batteries are worn out. Replace with new batteries. (👉 p. 5)
- Operate the remote control unit within a distance of about 7 m from this unit and at an angle of within 30°. (👉 p. 5)
- Remove any obstacle between this unit and the remote control unit.
- Insert the batteries in the proper direction, checking the ⊕ and ⊖ marks. (👉 p. 5)
- The set's remote control sensor is exposed to strong light (direct sunlight, inverter type fluorescent bulb light, etc.). Move the set to a place in which the remote control sensor will not be exposed to strong light.
- When using a 3D video device, the remote control unit of this unit may not function due to effects of infrared communications between units (such as TV and glasses for 3D viewing). In this case, adjust the direction of units with the 3D communications function and their distance to ensure they do not affect operations from the remote control unit of this unit.



No sound comes out

No sound comes out of speakers.

- Check the connections for all devices. (👉 p. 16)
- Insert connection cables all the way in.
- Check that input connectors and output connectors are not reversely connected.
- Check cables for damage.
- Check that speaker cables are properly connected. Check that cable core wires come in contact with the metal part on speaker terminals. (👉 p. 17)
- Securely tighten the speaker terminals. Check speaker terminals for looseness. (👉 p. 17)
- Check that the proper input source is selected. (👉 p. 25)
- The volume is set to the minimum level. Adjust the volume to a suitable level. (👉 p. 25)
- Cancel the muting mode. (👉 p. 25)
- Check that the correct input source is selected when audio is being input to this unit from an external device. (👉 p. 25)
- Check the digital audio output setting on the connected device. The initial settings may be off depending on the device.
- When a headphone plug is inserted into the headphone jack of the unit, no sound is output from the speakers. (👉 p. 8)



Desired sound does not come out

No sound comes out of a specific speaker.

- Check that speaker cables are properly connected. (👉 p. 17)
- Adjust the BALANCE control knob. (👉 p. 25)

The left and right of stereo sound is reversed.

- Check whether the left and right speakers are connected to the correct speaker terminals. (👉 p. 17)

No sound is produced from subwoofer.

- Check the subwoofer connections. (👉 p. 18)
- Turn on the subwoofer's power.



Sound is interrupted or noise occurs

When playing a record, the sound is distorted.

- Adjust to a proper needle pressure.
- Check the tip of the needle.
- Replace the cartridge.

When playing a record, a humming noise comes out of the speakers.

- Check that the turntable is connected correctly. (👉 p. 19)
- If there is a TV or AV device near the turntable, such devices may affect the playback sound. Install the turntable in a location as far away as possible from the TV or other AV devices.

When playing a record, a humming noise comes out of the speakers when the volume is high. (Howling phenomenon)

- Install the turntable and speakers as far from each other as possible. (👉 p. 19)
- The vibrations from the speakers are being transmitted to the player through the floor. Use cushions, etc., to absorb the speakers' vibrations.



Bluetooth cannot be played back

Bluetooth devices cannot be connected to this unit.

- The Bluetooth function in the Bluetooth device has not been enabled. See the Owner's Manual of the Bluetooth device to enable the Bluetooth function.
- Bring the Bluetooth device near to this unit.
- The Bluetooth device cannot connect with this unit if it is not compatible with the A2DP profile.
- Turn the power of the Bluetooth device off and on again, and then try again.
- Change the analog mode setting to Off. The Bluetooth function does not work when the analog mode setting is On. (👉 p. 27)
- To playback via a Bluetooth connection, perform pairing between this unit and the Bluetooth device. (👉 p. 28)

The sound is cut off.

- Bring the Bluetooth device near to this unit.
- Remove obstructions between the Bluetooth device and this unit.
- To prevent electromagnetic interference, locate this unit away from microwave ovens, wireless LAN devices and other Bluetooth devices.
- Reconnect the Bluetooth device.



Audio from digital devices cannot be played back (Coaxial/Optical)

The DIGITAL IN/BLUETOOTH indicator is off.

- When digital audio signals cannot be detected properly, the DIGITAL IN/BLUETOOTH indicator is off. (👉 p. 30)

The DIGITAL IN/BLUETOOTH indicator is blinking in green.

- The DIGITAL IN/BLUETOOTH indicator blinks in green when audio signals that are not supported by this unit are input. Check the audio output signal format from your digital device. (👉 p. 30)
- Do not input non-PCM signals, such as Dolby Digital, DTS and AAC. This causes noise and could damage the speakers.



D/A converter

■ Specifications of supported audio signals

□ Coaxial/Optical

	Sampling frequency	Bit length
Linear PCM (2-channel)	32/44.1/48/88.2/96/ 176.4/192 kHz	16/24 bits

Playing back a Bluetooth device

This unit supports the following Bluetooth profile.

- A2DP (Advanced Audio Distribution Profile):
When a Bluetooth device that supports this standard is connected, monaural and stereo sound data can be streamed at a high quality.

■ About Bluetooth communications

Radio waves broadcast from this unit may interfere with the operation of medical devices. Make sure you turn off the power of this unit and Bluetooth device in the following locations as radio wave interference may cause malfunctions.

- Hospitals, trains, aircraft, petrol kiosks and places where flammable gases are generated
- Near automatic doors and fire alarms



Explanation of terms

Sampling frequency

Sampling involves taking a reading of a sound wave (analog signal) at regular intervals and expressing the height of the wave at each reading in digitized format (producing a digital signal).

The number of readings taken in one second is called the “sampling frequency”. The larger the value, the closer the reproduced sound is to the original.

Linear PCM

This is an uncompressed PCM (Pulse Code Modulation) signal. This is the same system used for CD audio but uses 192 kHz, 96 kHz, and 48 kHz sampling frequencies on Blu-ray Disc or DVD and provides higher resolution than CD.

Speaker impedance

This is an AC resistance value, indicated in Ω (ohms). Greater power can be obtained when this value is smaller.

Source direct

Playback with higher fidelity to the source becomes possible, as input audio signals are output by bypassing the audio quality-control circuits (BASS/TREBLE/BALANCE).

Pairing

Pairing (registration) is an operation that is required in order to connect a Bluetooth device to this unit using Bluetooth. When paired, the devices authenticate each other and can connect without mistaken connections occurring.

When using Bluetooth connection for the first time, you need to pair this unit and the Bluetooth device to be connected.

Protection circuit

This is a function to prevent damage to devices within the power supply when an abnormality such as an overload, excess voltage occurs or over temperature for any reason.



Trademark information



The Bluetooth® word mark and logos are registered trademarks owned by the Bluetooth SIG, Inc. and any use of such marks by D&M Holdings Inc. is under license. Other trademarks and trade names are those of their respective owners.



Adobe, the Adobe logo and Reader are either registered trademarks or trademarks of Adobe Systems Incorporated in the United States and/or other countries.



Specifications

■ Power amplifier section

Rated Output Power:	2-channel driving (CD → SP OUT) 45 W + 45 W (8 Ω/ohms, 20 Hz - 20 kHz, T.H.D. 0.07 %) 70 W + 70 W (4 Ω/ohms, 1 kHz, T.H.D. 0.7%)
Total harmonic distortion:	0.01 % (Rated output: -3 dB), 8 Ω/ohms, 1 kHz
Output terminals:	Speaker: 4 – 16 Ω/ohms Suited for headphones/stereo headphones

■ Pre amplifier section

Input Sensitivity/Input Impedance:	PHONO (MM): 2.5 mV / 47 kΩ/kohms CD, NETWORK, AUX, RECORDER: 100 mV / 40 kΩ/kohms (SOURCE DIRECT: Off) 100 mV / 17 kΩ/kohms (SOURCE DIRECT: On)
RIAA Deviation:	PHONO: 20 Hz – 20 kHz ±0.5 dB
Maximum Input:	PHONO (MM): 70 mV / 1 kHz
Output Level:	PRE OUT (SUBWOOFER): 1 V / 100 Hz (Input 100 mV, Volume: Max)



■ Overall performance

SN Ratio (A network):

PHONO (MM): 84 dB

(With input terminals short-circuited, 5 mV input signal)

CD, NETWORK, AUX, RECORDER: 105 dB (input terminals short-circuited)

Frequency response:

5 Hz – 100 kHz (0 – -3 dB)

Tone control:BASS: 100 Hz \pm 8 dBTREBLE: 10 kHz \pm 8 dB**• Digital input signal format****Format:**

Digital audio interface (Linear PCM)

Coaxial input:0.5 V_{p-p} / 75 Ω /ohms**Optical input:**

More than -27 dBm

Optical wavelength:

660 nm



■ Bluetooth section

Communications system:	Bluetooth Version 4.2 + EDR (Enhanced Data Rate)
Transmission power:	Bluetooth Specification Power Class 1
Maximum communication range:	Approx. 30 m in line of sight*
Used frequency range:	2.4 GHz
Modulation scheme:	FHSS (Frequency-Hopping Spread Spectrum)
Supported profiles:	A2DP (Advanced Audio Distribution Profile) 1.3 AVRCP (Audio Video Remote Control Profile) 1.5
Corresponding codec:	SBC
Transmission range (A2DP):	20 Hz – 20,000 Hz

* The actual communication range varies depending on the influence of such factors as obstructions between devices, electromagnetic waves from microwave ovens, static electricity, cordless phones, reception sensitivity, antenna performance, operating system, application software etc.

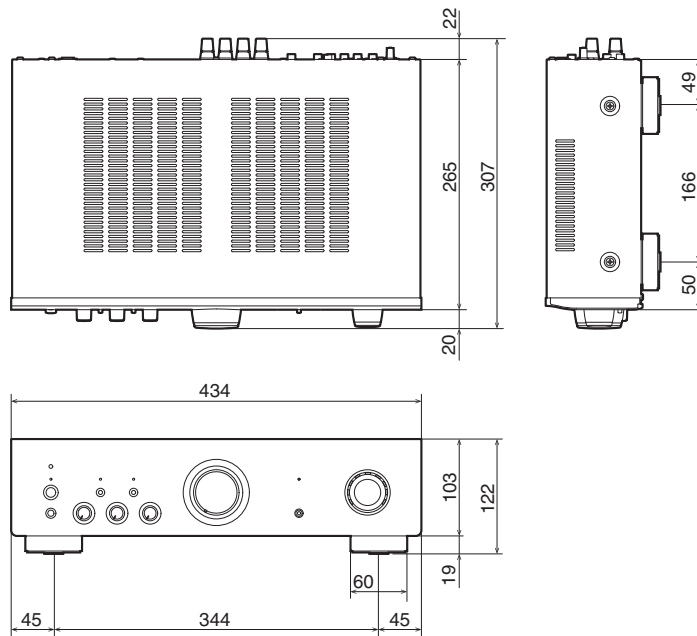
■ General

Power supply:	AC 120 V, 60 Hz
Power consumption:	190 W
Power consumption in standby mode:	0.3 W
Operating temperature:	+5 °C - +35 °C

For the purpose of improvement, the specifications and design are subject to change without notice.



■ Dimensions (Unit : mm)



■ Weight : 7.4 kg



Index

A		I		S	
Auto Standby mode	32	Input source	25	Satellite receiver	21
B		M		Source direct	26, 44
BALANCE	25	Muting	25	Speaker impedance	44
BASS	25	N		Speakers	17
Bluetooth device	28	Network audio player	19	T	
Blu-ray Disc player	19	P		Tips	34
C		Protection circuit	44	Tone	25
CD player	19, 21	R		TREBLE	25
D		Recording device	20	Troubleshooting	35
D/A Converter	43	Remote control unit	12	Turntable	19
		V		Volume	25



DENON®

www.denon.com

3520 10697 00AD

Copyright © 2019 D&M Holdings Inc. All Rights Reserved.

USA CANADA

FCC Information (For US customers)

1. IMPORTANT NOTICE : DO NOT MODIFY THIS PRODUCT

This product, when installed as indicated in the instructions contained in this manual, meets FCC requirements. Modification not expressly approved by Denon may void your authority, granted by the FCC, to use the product.

2. CAUTION

- To comply with FCC RF exposure compliance requirement, separation distance of at least 20 cm must be maintained between this product and all persons.
- This product and its antenna must not be co-located or operating in conjunction with any other antenna or transmitter.

3. COMPLIANCE INFORMATION

- Product Name:**
Integrated Amplifier
- Model Number:** PMA-600NE
- FCC ID:** MBBPMA600NE

Denon Electronics (USA), LLC
(a D&M Holdings Company)
100 Corporate Drive
Mahwah, NJ 07430-2041
Tel. (201) 762-6665

4. NOTE

This product has been tested and found to comply with the limits for a Class B digital device, pursuant to Part 15 of the FCC Rules. These limits are designed to provide reasonable protection against harmful interference in a residential installation.

This product generates, uses and can radiate radio frequency energy and, if not installed and used in accordance with the instructions, may cause harmful interference to radio communications. However, there is no guarantee that interference will not occur in a particular installation. If this product does cause harmful interference to radio or television reception, which can be determined by turning the product OFF and ON, the user is encouraged to try to correct the interference by one or more of the following measures:

- Reorient or relocate the receiving antenna.
- Increase the separation between the equipment and receiver.
- Connect the product into an outlet on a circuit different from that to which the receiver is connected.
- Consult the local retailer authorized to distribute this type of product or an experienced radio/TV technician for help.

IC Information (For Canadian customers)

1. PRODUCT IC No: 11657A-PMA600NE

This product complies with RSS-247 of Industry Canada. Operation is subject to the following two conditions: (1) this product may not cause harmful interference, and (2) this product must accept any interference received, including interference that may cause undesired operation. This Class B digital apparatus complies with Canadian ICES-003.

2. CAUTION

To reduce potential radio interference to other users, the antenna type and its gain should be so chosen that the equivalent isotropically radiated power (e.i.r.p.) is not more than that permitted for successful communication.

Informations sur IC (pour les clients canadiens)

1. APPAREIL IC No: 11657A-PMA600NE

Cet appareil est conforme à la norme CNR-247 du Canada. L'utilisation de ce dispositif est autorisée seulement aux deux conditions suivantes : (1) il ne doit pas produire de brouillage, et (2) l'utilisateur du dispositif doit être prêt à accepter tout brouillage radioélectrique reçu, même si ce brouillage est susceptible de compromettre le fonctionnement du dispositif. Cet appareil numérique de la classe B est conforme à la norme NMB-003 du Canada.

2. ATTENTION

Afin de réduire le risque d'interférence aux autres utilisateurs, il faut choisir le type d'antenne et son gain de façon à ce que la puissance isotrope rayonnée équivalente (p.i.r.e.) ne soit pas supérieure au niveau requis pour l'obtention d'une communication satisfaisante.

For Canadian customers: CAN ICES-3 (B)/NMB-3 (B)

RF Exposure Information

This equipment complies with FCC/IC radiation exposure limits set forth for an uncontrolled environment and meets the FCC radio frequency (RF) Exposure Guidelines in Supplement C to OET65 and RSS-102 of the IC radio frequency (RF) Exposure rules. This equipment has very low levels of RF energy that are deemed to comply without testing of specific absorption ratio (SAR).

Cet équipement est conforme aux normes d'exposition aux radiations FCC/IC définies pour un environnement non contrôlé et satisfait les directives d'exposition à la radiofréquence (RF) dans le supplément C des OET65 et RSS-102 des règles d'exposition à la fréquence radio (RF) IC. Cet équipement a de très faibles niveaux d'énergie RF qui sont jugés conformes sans test de taux d'absorption spécifique (SAR).

EU



[ENGLISH]

1. DECLARATION OF CONFORMITY

Hereby, [D&M Holdings Inc.] declares that our product is in compliance with following EU/EC Directives. The full text of the EU declaration of conformity is available at the following internet address:

2. IMPORTANT NOTICE: DO NOT MODIFY THIS PRODUCT

This product, when installed as indicated in the instructions contained in this manual, meets RE directive requirements. Modification of the product could result in hazardous Radio and EMC radiation.

3. CAUTION

Separation distance of at least 20 cm must be maintained between this product and all persons. This product and its antenna must not be co-located or operating in conjunction with any other antenna or transmitter.

[DEUTSCH]

1. ÜBEREINSTIMMUNGSERKLÄRUNG

Hiermit erklärt [D&M Holdings Inc.], dass unser Produkt der, dass die folgenden EU/EC-Richtlinien entspricht. Der vollständige Text der EU-Konformitätserklärung ist unter der folgenden Internetadresse verfügbar:

2. WICHTIGER HINWEIS: NEHMEN SIE KEINE VERÄNDERUNGEN AN DIESEM PRODUKT VOR

Wenn dieses Produkt entsprechend dieser Bedienungsanleitung aufgebaut wird, entspricht es den Anforderungen der RE-Richtlinie. Veränderungen am Produkt können zu gefährlicher Funk- und EMV-Strahlung führen.

3. VORSICHT

Zwischen dieses Produkts und Personen muss ein Schutzabstand von 20 cm eingehalten werden. Dieses Produkt und seine Antenne dürfen nicht neben anderen Antennen oder Sendern aufgestellt oder zusammen mit ihnen verwendet werden.

[FRANÇAIS]

1. DÉCLARATION DE CONFORMITÉ

Le soussigné, [D&M Holdings Inc.], déclare que notre produit est conforme à la directive UE/CE. Le texte complet de la déclaration UE de conformité est disponible à l'adresse internet suivante:

2. MISE EN GARDE IMPORTANTE: NE JAMAIS MODIFIER CE PRODUIT

Si toutes les consignes indiquées dans ce mode ont été respectées pendant son installation, ce produit est conforme aux directives RE. Toute modification du produit risquerait alors de générer des radiations radio et EMC dangereuses.

3. ATTENTION

L'appareil devra être située à une distance de 20 cm au moins des personnes. Ce produit ainsi que son antenne ne devront en aucun cas être utilisés à proximité d'une autre antenne ou transmetteur.

[ITALIANO]

1. DICHIARAZIONE DI CONFORMITÀ

Il fabbricante, [D&M Holdings Inc.], dichiara che il nostro prodotto è conforme alla direttiva UE/CE. Il testo completo della dichiarazione di conformità UE è disponibile al seguente indirizzo Internet:

2. AVVERTENZA IMPORTANTE: NON MODIFICARE QUESTO PRODOTTO

Se installato come indicato nelle istruzioni del presente manuale, questo prodotto soddisfa i requisiti della direttiva RE. Eventuali modifiche apportate al prodotto potrebbero causare pericolose radiazioni radio ed EMC.

3. ATTENZIONE

È necessario mantenere una distanza minima di 20 cm tra questo prodotto e le persone. Questo prodotto e la relativa antenna non devono essere posizionati in prossimità di altre antenne o trasmettitori e non devono essere utilizzati congiuntamente a questi ultimi.

[ESPAÑOL]

1. DECLARACIÓN DE CONFORMIDAD

Por la presente, [D&M Holdings Inc.], declara que nuestro producto es conforme con la Directivas UE/CE. El texto completo de la declaración UE de conformidad está disponible en la dirección Internet siguiente:

2. NOTA IMPORTANTE: NO MODIFIQUE ESTE PRODUCTO

Este producto, si es instalado de acuerdo con las instrucciones contenidas en este manual, cumple los requisitos de la directiva RE. La modificación del producto puede producir radiación de Radio y EMC peligrosa.

3. PRECAUCIÓN

Se debe mantener una separación de al menos 20 cm del producto y las personas. Este producto y su antena no debe instalarse ni utilizarse conjuntamente con otra antena o transmisor.

Radio Specification (for Europe model)

Type	Frequency Range	Max. RF Power
Bluetooth	2,402 – 2,480 MHz	20 dBm

* Note: The above specifications is based on the RE Directive.

There is a possibility to varies by countries.

[NEDERLANDS]

1. EENVORMIGHEIDSVERKLARING

Hierbij verklaar ik, [D&M Holdings Inc.], dat ons product conform is met Richtlijn EU/EG. De volledige tekst van de EU-conformiteitsverklaring kan worden geraadpleegd op het volgende internetadres:

2. BELANGRIJKE MEDEDELING: BRENG AAN DIT PRODUCT GEEN AANPASSINGEN AAN

Dit product, indien geïnstalleerd volgens de aanwijzingen in deze gebruiksaanwijzing, voldoet aan de vereisten van de RE-richtlijn. Aanpassing van dit product kan gevaarlijke radio- en EMC-straling tot gevolg hebben.

3. LET OP

Houd tussen en personen altijd een afstand van tenminste 20 cm aan. Dit product en zijn antenne mogen niet in de buurt van een andere antenne of zender worden geplaatst of in combinatie daarmee worden gebruikt.

[SVENSKA]

1. ÖVERENSSTÄMMELSESINTYG

Härmed försäkrar [D&M Holdings Inc.], att vår produkt överensstämmer med direktiv EU/EC. Den fullständiga texten till EU-försäkran om överensstämmelse finns på följande webbadress:

2. VIKTIGT: APPARATEN FÅR INTE MODIFIERAS

Under förutsättning att apparaten installeras enligt anvisningarna i denna bruksanvisning, uppfyller denna kraven i RE-direktivet. Ev. modifiering av apparaten kan resultera i farlig radio- och elektromagnetisk strålning.

3. FÖRSIKTIGT

Se till att det finns ett avstånd på minst 20 cm mellan apparatens och personer i omgivningen. Apparaten och dess antenn får inte placeras eller användas i närheten av andra antenner eller sändare.

[РУССКИЙ]

1. СЕРТИФИКАТ СООТВЕТСТВИЯ

Настоящим, [D&M Holdings Inc.], заявляю, что наш продукт соответствует Директиве EU/EC. Полный текст декларации соответствия ЕС можно получить по следующему интернет-адресу:

2. ВАЖНО! НЕ ИЗМЕНЯЙТЕ ДАННЫЙ ПРОДУКТ

Продукт, установленный согласно инструкциям в настоящем руководстве, отвечает требованиям директивы RE. Изменение продукта может привести к появлению опасного электромагнитного излучения.

3. ПРЕДУПРЕЖДЕНИЕ

Не приближайтесь к данному изделия ближе, чем на 20 см. Запрещается использовать данный продукт и антенну с другой антенной или передатчиком.

[POLSKI]

1. DEKLARACJA ZGODNOŚCI

[D&M Holdings Inc.], niniejszym oświadczam, że nasz produkt jest zgodny z dyrektywą UE/WE. Pełny tekst deklaracji zgodności UE jest dostępny pod następującym adresem internetowym:

2. UWAGA: MODYFIKACJA TEGO URZĄDZENIA JEST ZABRONIONA

Po zainstalowaniu zgodnie z instrukcjami zawartymi w niniejszej instrukcji obsługi urządzenie to będzie spełniać wymogi dyrektywy RE. Wprowadzanie modyfikacji do tego urządzenia może skutkować powstawaniem niebezpiecznego promieniowania elektromagnetycznego oraz radiowego.

3. OSTRZEŻENIE

Między tego produktu i wszelkimi osobami musi być zachowana odległość przynajmniej 20 cm. Urządzenia wraz z antena nie można instalować w połączeniu z inną anteną lub nadajnikami.

<EU/EC Directive>

RE: 2014/53/EU

<EU declaration of conformity URL: <http://manuals.denon.com/CEdeclaration>>

D&M Holdings Inc.

2-1 Nissin-cho, Kawasaki-ku, Kawasaki, Kanagawa, 210-8569 Japan

EU importer: D&M Europe B.V.

Beemdstraat 11, 5653 MA Eindhoven, The Netherlands

日本

□電波に関するご注意

本機は電波法に基づく工事設計認証を取得した小電力データ通信システムの無線局設備を内蔵しています。

・本機を使用するときに無線局の免許は必要ありません。
※ 以下のことをおこなうと法律で罰せられることがあります。

- ・内蔵する小電力データ通信システムの無線局設備を分解 / 改造すること
- ・内蔵する小電力データ通信システムの無線局設備に貼ってある証明ラベルをはがすことこの機器の使用周波数帯(2.4GHz)では、電子レンジ等の産業・科学・医療用機器のほか、工場の製造ライン等で使用されている移動体識別用の構内無線局(免許を要する無線局)、特定小電力無線局(免許を要しない無線局)、およびアマチュア無線局(免許を要する無線局)が運用されています。

1. この機器を使用する前に、近くで移動体識別用の構内無線局、特定小電力無線局およびアマチュア無線局が運用されていないことを確認してください。
2. 万が一、この機器から移動体識別用の構内無線局に対して有害な電波干渉の事例が発生した場合には、速やかに使用周波数を変更するか、または電波の放射を停止した上、下記連絡先にご連絡いただき、混信回避のための処置等についてご相談してください。
3. その他、この機器から移動体識別用の特定小電力無線局またはアマチュア無線局に対して有害な電波干渉の事例が発生した場合など、何かお困りのことが起きたときには、次の連絡先へお問い合わせください。

連絡先：

株式会社 ディーアンドエムホールディングス
デノンお客様相談センター
0570 (666) 112
<http://denon.jp/jp/html/contact.html>

◎ 現品表示について

2.4 FH 1

2.4 : 2.4GHz 帯を使用する無線設備を表します。

FH : 変調方式を表します。

1 : 移動体識別装置の構内無線局に対して想定される干渉距離を表します(約 10 m)。

■■■■ : 2.4GHz 帯の全帯域を使用し、かつ移動体識別装置の帯域が回避不可であることを意味します。

◎ 本機では、2.4GHz の周波数帯の電波を利用している関係で、下記機器と干渉し、音が途切れたり、雑音が発生したりする可能性があります。

【2.4GHz の周波数帯を使用している主な機器】

- ・電子レンジ
- ・無線 LAN を利用した機器 (ノートパソコン、無線ルーター、無線 LAN 対応 AV 機器等)
- ・コードレスフォン
- ・Bluetooth 対応機器
- ・ワイヤレス対応 AV 機器
- ・ワイヤレスコントローラー

※ 音が途切れたり雑音が発生したりする場合には、下記の方法で改善する可能性があります。

1. 干渉している機器との距離を離す。
2. 干渉している機器の電源を切る。

◎ ペースメーカー等の医療用電気機器をご使用の場合には、各医療用電気機器メーカーまたは販売店に電波による影響をご確認の上ご使用ください。

◎ 人ごみの中で使用したり、本機の間に鉄筋コンクリートの壁や家具などの障害物があると、通信状態が悪くなり音が途切れたり、雑音が発生したりすることがあります。音が途切れたり、雑音が発生したりする場合には、見通しの良い場所に設置し直してください。

◎ 設置の距離や障害物がない場合でも、電波の反射等により受信がうまくいかない場合があります。その場合には本機の向きや位置を変えると改善することがあります。

◎ ラジオやテレビ、BS/CS チューナーなどの電波を利用した機器のそばで使用すると、ノイズが発生することがあります。その場合には機器から遠ざけて設置してください。

◎ 本機は盗聴防止機能を搭載しておりますが、第三者が故意または偶然に受信する可能性があります。

◎ 本機はご家庭内での音楽、映画等の再生を目的にしたホームエンターテインメントシステムです。他の環境、目的での使用はおやめください。

KOREA

해당 무선설비는 전파혼신 가능성이 있으므로 인명안전과 관련된 서비스는 할 수 없습니다
B 급 기기 (가정용 방송통신기자재)

이 기기는 가정용 (B 급) 전자파적합기기로서 주로

가정에서 사용하는 것을 목적으로 하며, 모든

지역에서 사용할 수 있습니다

해당 무선설비는 운용 중 전파혼신 가능성이 있으므로 인명안전과 관련된 서비스는 할 수 없습니다 .

臺灣

第十二條

經型式認證合格之低功率射頻電機，非經許可，公司、商號或使用者均不得擅自變更頻率、加大功率或變更原設計之特性及功能。

第十四條

低功率射頻電機之使用不得影響飛航安全及干擾合法通信；經發現有干擾現象時，應立即停用，並改善至無干擾時方得繼續使用。

前項合法通信，指依電信法規定作業之無線電通信。

低功率射頻電機須忍受合法通信或工業、科學及醫療用電波輻射性電機設備之干擾。

中国

第十三条

1. 使用频率：2.4～2.4835GHz

• 等效全向辐射功率 (EIRP)：

天线增益 < 10dBi 时：≤ 100mW 或 ≤ 20dBm ①

天线增益 ≥ 10dBi 时：≤ 500mW 或 ≤ 27dBm ②

• 最大功率谱密度：

天线增益 < 10dBi 时：≤ 20dBm / MHz (EIRP) ①

天线增益 ≥ 10dBi 时：≤ 27dBm / MHz (EIRP) ②

• 载频容限：20ppm

• 外发射功率 (在 2.4～2.4835GHz 段以外)

≤ -80dBm / Hz (EIRP)

• 杂散发射 (辐射) 功率 (对应载波 ±2.5 倍信道带宽以外)：

≤ -36dBm / 100kHz (30～1000MHz)

≤ -33dBm / 100kHz (2.4～2.4835GHz)

≤ -40dBm / 1MHz (3.4～3.53GHz)

≤ -40dBm / 1MHz (5.725～5.85GHz)

≤ -30dBm / 1MHz (其它 1～12.75GHz)

2. 不得擅自更改发射频率、加大发射功率 (包括额外加装射频功率放大器)，不得擅自接天线或改用其它发射天线；

3. 使用时不得对各种合法的无线电电信业务产生有害干扰；一旦发现有干扰现象时，应立即停止使用，并采取消除措施消除干扰后方可继续使用；

4. 使用微功率无线电设备，必须忍受各种无线电业务的干扰或工业、科学及医疗应用设备的辐射干扰；

5. 不得在飞机和机场附近使用。

型号核准代码 (CMIIT ID) 显示在产品的后面板上或者底部。