

Dynamic Frequency Selection Test Report

Applicant's company : **MITAC Technology Corp.**
Applicant Address : 9th, FL., No. 75, Ming Sheng E. Rd., Sec. 3, Taipei, Taiwan
FCC ID : **MAU302**
Manufacturer's company : **GeTAC Technology(Kunshan) LTD.**
Manufacturer Address : No. 269, 2nd Road, Export Processing Zone,
Changjiang South Road, Kunshan, Jiangsu, P.R.C.
Product Name : **Notebook PC**
Brand Name : **MTC, GETAC**
Model Name : **B300**
Test Standard(s) : **47 CFR FCC Part 15 Subpart E § 15.407**
Test Freq. Range : **5250~5350 MHz**
Received Date : **Dec. 03, 2007**
Final Test Date : **Dec. 07, 2007**
Submission Type : **Original Equipment**
Operating Mode : **Client (without radar detection function)**

Statement

The test result in this report refers exclusively to the presented test model / sample.

Without written approval of SPORTRON International Inc., the test report shall not be reproduced except in full.

The measurements and test results shown in this test report were made in accordance with the procedures and found in compliance with the limit given in FCC OET Order 06-96A (2006) and 47 CFR FCC Part 15 Subpart E § 15.407. The test equipment used to perform the test is calibrated and traceable to NML/ROC.


Wayne Hsu

Table of Contents

1. SUMMARY OF THE TEST RESULT 1

2. GENERAL INFORMATION..... 2

2.1. Standard Requirement 2

2.2. Product Specification Table..... 2

2.3. Antenna Information on DFS Band 2

3. DFS DETECTION THRESHOLDS AND RADAR TEST WAVEFORMS..... 3

3.1. Interference Threshold values, Master or Client incorporating In-Service Monitoring 3

3.2. DFS Response requirement values 3

3.3. Radar Test Waveforms Minimum Step 4

3.4. Short Pulse Radar Test Waveforms..... 4

3.5. Long Pulse Radar Test Waveform 5

3.6. Frequency Hopping Radar Test Waveform..... 8

3.7. Conducted Calibration Setup 10

3.8. Radar Waveform Calibration Procedure 11

3.9. Calibration Deviation 11

3.10. Radar Waveform Calibration Result..... 12

4. TEST SETUP AND TEST RESULT 13

4.1. Test setup..... 13

4.2. In-Service Monitoring for Channel Move Time, Channel Closing Transmission Time and Non-Occupancy Period Measurement..... 17

5. MEASURING INSTRUMENTS..... 21

History of This Test Report

Original Issue Date: Dec. 31, 2007

Report No.: FZ7O1819-01

No additional attachment.

Additional attachment were issued as following record:

| Attachment No. | Issue Date | Description |
|-----------------------|-------------------|--------------------|
| | | |
| | | |
| | | |
| | | |
| | | |
| | | |
| | | |
| | | |
| | | |
| | | |
| | | |
| | | |
| | | |
| | | |
| | | |

1. SUMMARY OF THE TEST RESULT

| Applied Standard: OET Order 06-96A (2006) | | | |
|--|-----------------|--|---------------|
| Part | Appendix | Description of Test | Result |
| 4.2 | 7.8.3 | In-Service Monitoring for Channel Move Time, Channel Closing Transmission Time and Non-Occupancy Period | Complies |

Note: Client without radar detection

2. GENERAL INFORMATION

2.1. Standard Requirement

FCC 15.407: U-NII devices operating in the 5.25-5.35 GHz band. The U-NII device is required to have the capability to operate at least 6 dB below the mean EIRP value of 30 dBm. U-NII devices operating in the 5.25-5.35 GHz bands shall employ a DFS radar detection mechanism to detect the presence of radar systems and to avoid co-channel operation with radar systems.

2.2. Product Specification Table

| Specification Items | Description |
|----------------------------|---|
| Modulation | OFDM (BPSK / QPSK / 16QAM / 64QAM) |
| Data Rate (Mbps) | OFDM (6/9/12/18/24/36/48/54) |
| Operating Frequency Range | 5250~5350 MHz, 5470~5725 MHz |
| Channel Bandwidth | 20 MHz operating channel bandwidth |
| Max. Con. Power (DFS band) | Band 2: 19.51 dBm |
| Max. EIRP Power (DFS band) | Band 2: 21.06 dBm |
| Operating Mode | Client (without radar detection function) |
| Communication Mode | IP based system |
| Power-on cycle | NA (No Channel Availability Check Function) |
| Software Version | R0.17A |

| DFS Band Carrier Frequency Band | Channel No. | Frequency | Channel No. | Frequency |
|------------------------------------|-------------|-----------|-------------|-----------|
| 5250~5350 MHz Band 2 (DFS Band) | 52 | 5260 MHz | 60 | 5300 MHz |
| | 56 | 5280 MHz | 64 | 5320 MHz |

2.3. Antenna Information on DFS Band

Antenna cable is not supplied with this device, no cable loss had been taken into account.

| Ant. | Antenna Type | Connector | Impedance | Gain (dBi) |
|------|--------------|-----------|-----------|------------|
| 1 | PIFA Antenna | UFL | 50 Ohms | 1.55 dBi |

3. DFS DETECTION THRESHOLDS AND RADAR TEST WAVEFORMS

3.1. Interference Threshold values, Master or Client incorporating In-Service Monitoring

| Maximum Transmit Power | Value (see note) |
|------------------------|------------------|
| ≥ 200 milliwatt | -64 dBm |
| < 200 milliwatt | -62 dBm |

Note 1: This is the level at the input of the receiver assuming a 0 dBi receive antenna.

Note 2: Throughout these test procedures an additional 1 dB has been added to the amplitude of the test transmission waveforms to account for variations in measurement equipment. This will ensure that the test signal is at or above the detection threshold level to trigger a DFS response.

The maximum EIRP of the 5GHz AP (Model: AIR-AP1242AG-A-K9 ; FCC ID: LDK102056) is 26.5 dBm.

Minimum antenna is AIR-ANT5135D-R (5 GHz, 3.5 dBi Omnidirectional) 3.5dBi gain was used to set the -59.5dBm threshold level (-64dBm + 3.5dBi +1 dB) during calibration of the test setup.

3.2. DFS Response requirement values

| Parameter | Value |
|--|--|
| <i>Non-occupancy period</i> | Minimum 30 minutes |
| <i>Channel Availability Check Time</i> | 60 seconds |
| <i>Channel Move Time</i> | 10 seconds See Note 1. |
| <i>Channel Closing Transmission Time</i> | 200 milliseconds + an aggregate of 60 milliseconds over remaining 10 second period. See Notes 1 and 2. |
| <i>U-NII Detection Bandwidth</i> | Minimum 80% of the 99% power bandwidth See Note 3. |

Note 1: The instant that the *Channel Move Time* and the *Channel Closing Transmission Time* begins is as follows:

- For the Short pulse radar Test Signals this instant is the end of the *Burst*.
- For the Frequency Hopping radar Test Signal, this instant is the end of the last radar *Burst* generated.
- For the Long Pulse radar Test Signal this instant is the end of the 12 second period defining the radar transmission.

Note 2: The *Channel Closing Transmission Time* is comprised of 200 milliseconds starting at the beginning of the *Channel Move Time* plus any additional intermittent control signals required to facilitate *Channel* changes (an aggregate of 60 milliseconds) during the remainder of the 10 second period. The aggregate duration of control signals will not count quiet periods in between transmissions.

Note 3: During the *U-NII Detection Bandwidth* detection test, radar type 1 is used and for each frequency step the minimum percentage of detection is 90%. Measurements are performed with no data traffic.

3.3. Radar Test Waveforms Minimum Step

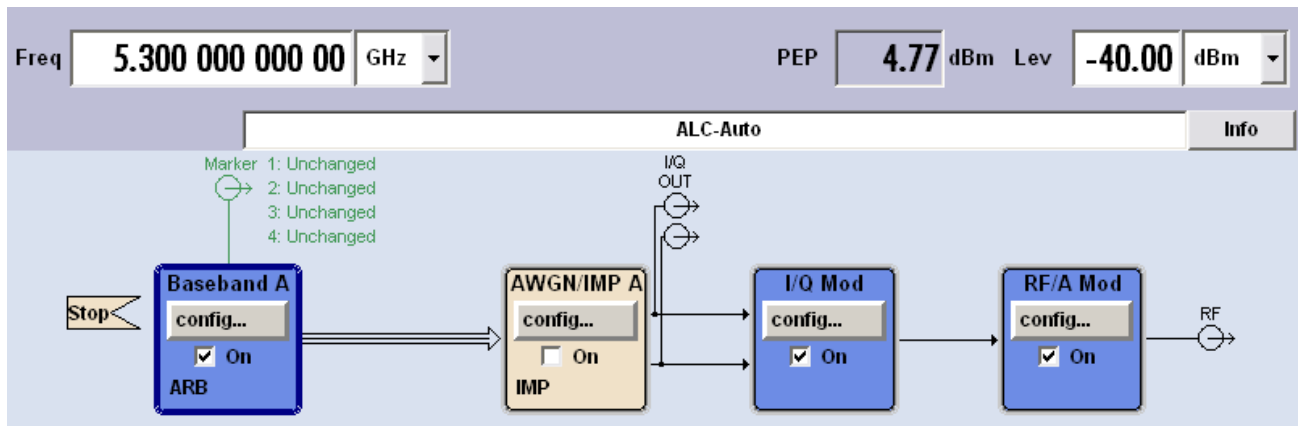
Step intervals of 0.1 microsecond for Pulse Width, 1 microsecond for PRI, 1 MHz for chirp width and 1 for the number of pulses will be utilized for the random determination of specific test waveforms.

3.4. Short Pulse Radar Test Waveforms

| Radar Type | Pulse Width (µsec) | PRI (µsec) | Number of Pulses | Minimum Percentage of Successful Detection | Minimum Trials |
|-----------------------------|--------------------|------------|------------------|--|----------------|
| 1 | 1 | 1428 | 18 | 60% | 30 |
| 2 | 1-5 | 150-230 | 23-29 | 60% | 30 |
| 3 | 6-10 | 200-500 | 16-18 | 60% | 30 |
| 4 | 11-20 | 200-500 | 12-16 | 60% | 30 |
| Aggregate (Radar Types 1-4) | | | | 80% | 120 |

A minimum of 30 unique waveforms are required for each of the short pulse radar types 2 through 4. For short pulse radar type 1, the same waveform is used a minimum of 30 times. If more than 30 waveforms are used for short pulse radar types 2 through 4, then each additional waveform must also be unique and not repeated from the previous waveforms. The aggregate is the average of the percentage of successful detections of short pulse radar types 1-4.

FCC Radar Types (1~4) System Diagram



Used R&S SMU200A (Vector SG with one ARB) or SG + ARB

B11: Base-band Generator with ARB (16 M samples) and Digital Modulation

B13: Base-band Main Module

B106: frequency range (100 kHz to 6 GHz)

For selecting the waveform parameters from within the bounds of the signal type, system were random selection using uniform distribution.

3.5. Long Pulse Radar Test Waveform

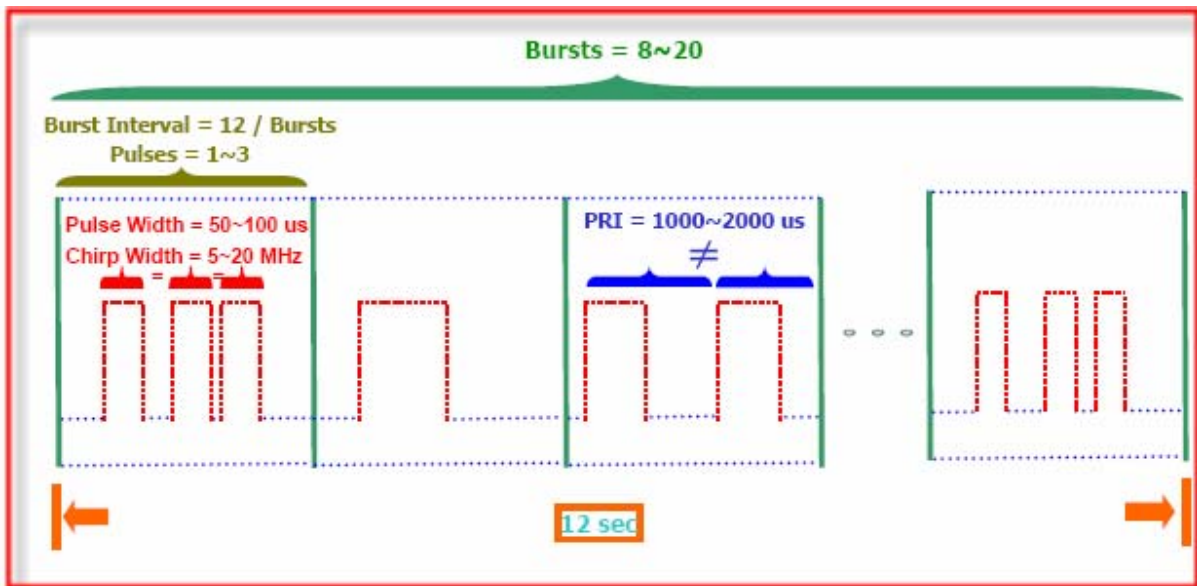
| Radar Type | Pulse Width (μsec) | Chirp Width (MHz) | PRI (μsec) | Number of Pulses per Burst | Number of Bursts | Minimum Percentage of Successful Detection | Minimum Trials |
|-------------------|---------------------------|--------------------------|-------------------|-----------------------------------|-------------------------|---|-----------------------|
| 5 | 50-100 | 5-20 | 1000-2000 | 1-3 | 8-20 | 80% | 30 |

The parameters for this waveform are randomly chosen. Thirty unique waveforms are required for the Long Pulse radar test signal. If more than 30 waveforms are used for the Long Pulse radar test signal, then each additional waveform must also be unique and not repeated from the previous waveforms. Each waveform is defined as follows:

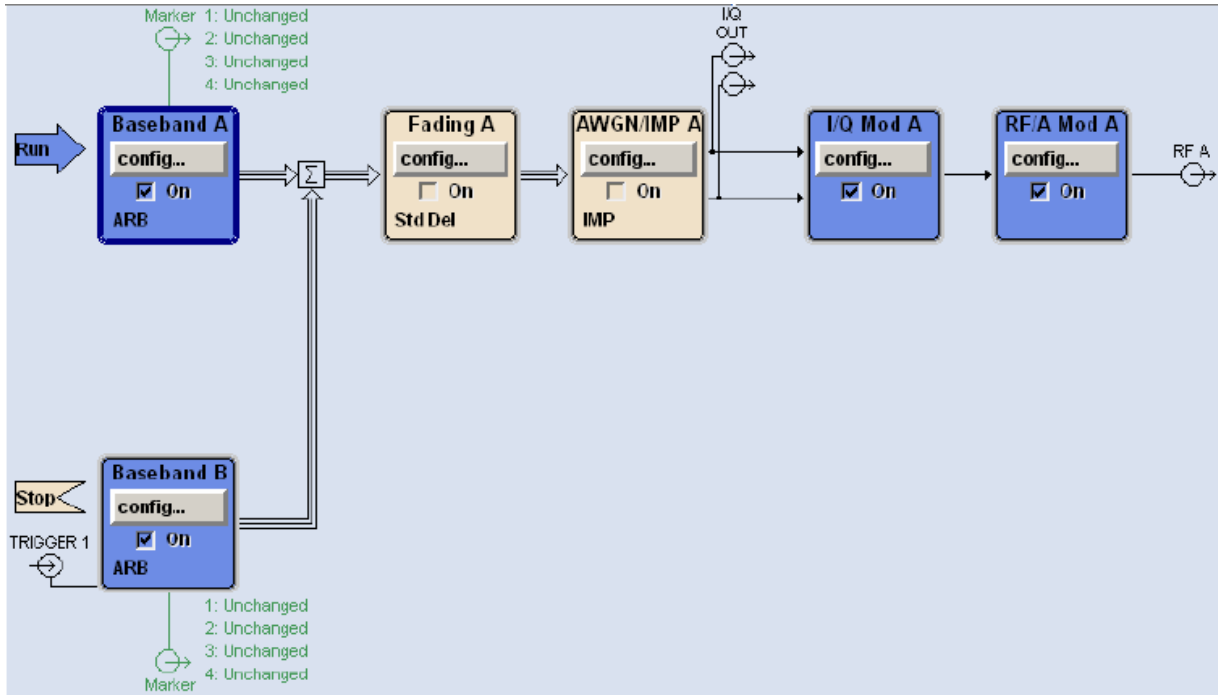
- (1) The transmission period for the Long Pulse Radar test signal is 12 seconds.
- (2) There are a total of 8 to 20 Bursts in the 12 second period, with the number of Bursts being randomly chosen. This number is Burst_Count.
- (3) Each Burst consists of 1 to 3 pulses, with the number of pulses being randomly chosen. Each Burst within the 12 second sequence may have a different number of pulses.
- (4) The pulse width is between 50 and 100 microseconds, with the pulse width being randomly chosen. Each pulse within a Burst will have the same pulse width. Pulses in different Bursts may have different pulse widths.
- (5) Each pulse has a linear FM chirp between 5 and 20 MHz, with the chirp width being randomly chosen. Each pulse within a Burst will have the same chirp width. Pulses in different Bursts may have different chirp widths. The chirp is centered on the pulse. For example, with a radar frequency of 5300 MHz and a 20 MHz chirped signal, the chirp starts at 5290 MHz and ends at 5310 MHz.
- (6) If more than one pulse is present in a Burst, the time between the pulses will be between 1000 and 2000 microseconds, with the time being randomly chosen. If three pulses are present in a Burst, the time between the first and second pulses is chosen independently of the time between the second and third pulses.
- (7) The 12 second transmission period is divided into even intervals. The number of intervals is equal to Burst_Count. Each interval is of length $(12,000,000 / \text{Burst_Count})$ microseconds. Each interval contains one Burst. The start time for the Burst, relative to the beginning of the interval, is between 1 and $[(12,000,000 / \text{Burst_Count}) - (\text{Total Burst Length}) + (\text{One Random PRI Interval})]$ microseconds, with the start time being randomly chosen. The step interval for the start time is 1 microsecond. The start time for each Burst is chosen independently.

A representative example of a Long Pulse radar test waveform:

- (1) The total test signal length is 12 seconds.
- (2) 8 Bursts are randomly generated for the Burst_Count.
- (3) Burst 1 has 2 randomly generated pulses.
- (4) The pulse width (for both pulses) is randomly selected to be 75 microseconds.
- (5) The PRI is randomly selected to be at 1213 microseconds.
- (6) Bursts 2 through 8 are generated using steps 3 – 5.
- (7) Each Burst is contained in even intervals of 1,500,000 microseconds. The starting location for Pulse 1, Burst 1 is randomly generated (1 to 1,500,000 minus the total Burst 1 length + 1 random PRI interval) at the 325,001 microsecond step. Bursts 2 through 8 randomly fall in successive 1,500,000 microsecond intervals (i.e. Burst 2 falls in the 1,500,001 – 3,000,000 microsecond range).



FCC Radar Types (5) System Diagram



Used R&S SMU200A (Vector SG with two ARB)

Path A / Path B Two B11: Base-band Generator with ARB (16 M samples) and Digital Modulation

B13: Base-band Main Module

B106: frequency range (100 kHz to 6 GHz)

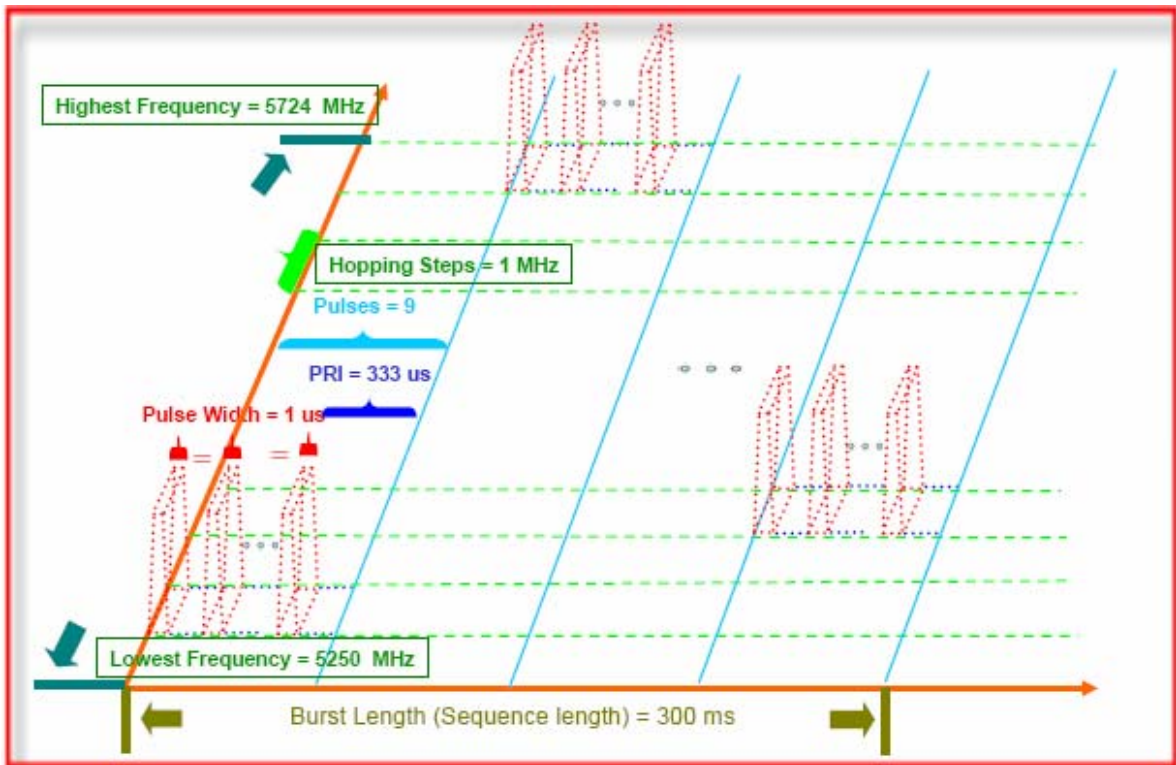
For selecting the waveform parameters from within the bounds of the signal type, system was random selection using uniform distribution.

3.6. Frequency Hopping Radar Test Waveform

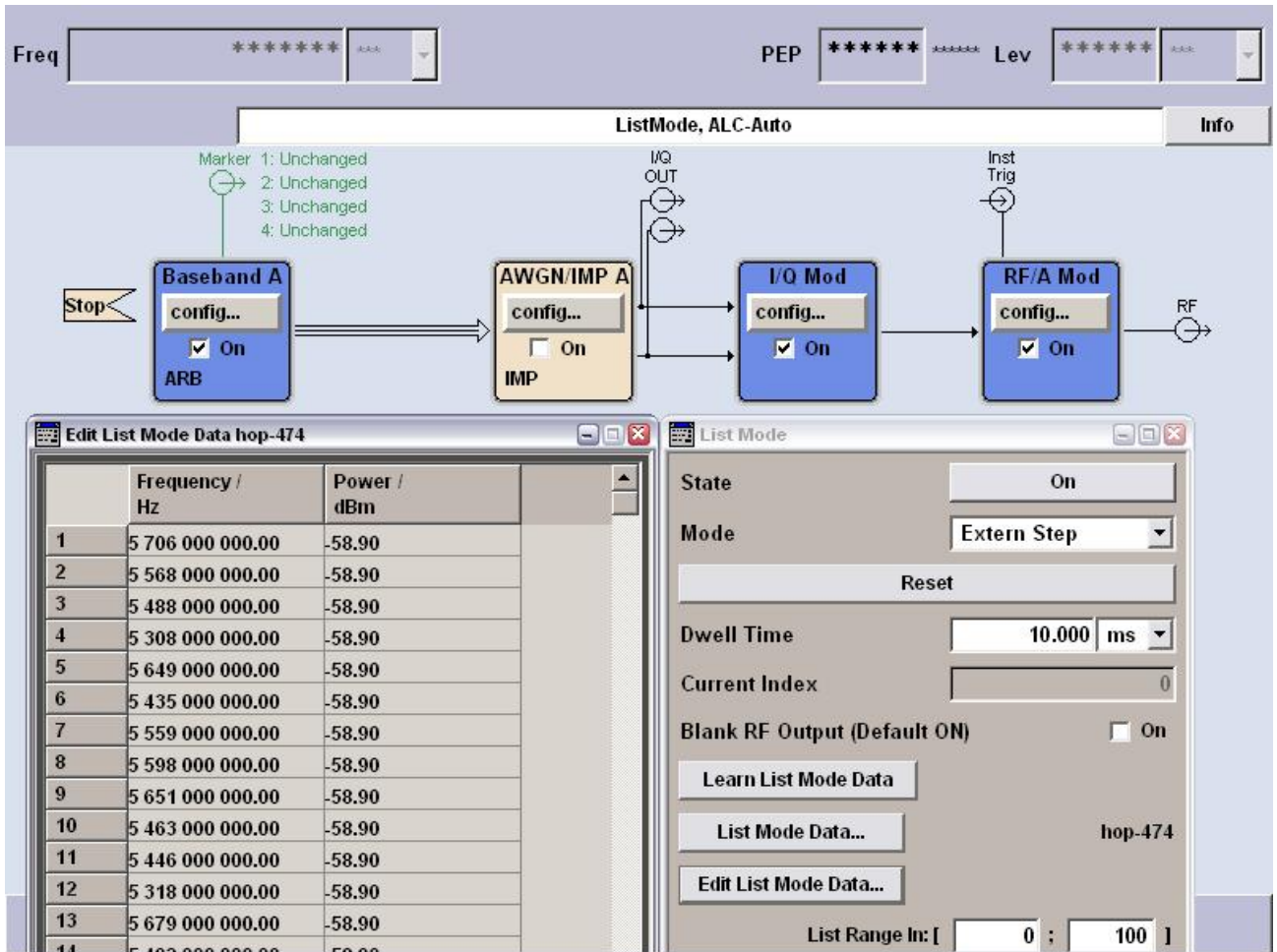
| Radar Type | Pulse Width (µsec) | PRI (µsec) | Pulses per Hop | Hopping Rate (kHz) | Hopping Sequence Length (msec) | Minimum Percentage of Successful Detection | Minimum Trials |
|------------|--------------------|------------|----------------|--------------------|--------------------------------|--|----------------|
| 6 | 1 | 333 | 9 | 0.333 | 300 | 70% | 30 |

For the Frequency Hopping Radar Type, the same Burst parameters are used for each waveform. The hopping sequence is different for each waveform and a 100-length segment is selected from the hopping sequence defined by the following algorithm:

The first frequency in a hopping sequence is selected randomly from the group of 475 integer frequencies from 5250 – 5724 MHz. Next, the frequency that was just chosen is removed from the group and a frequency is randomly selected from the remaining 474 frequencies in the group. This process continues until all 475 frequencies are chosen for the set. For selection of a random frequency, the frequencies remaining within the group are always treated as equally likely.



FCC Radar Types (6) System Diagram



Used R&S SMU200A (Vector SG with one ARB)

B11: Base-band Generator with ARB (16 M samples) and Digital Modulation

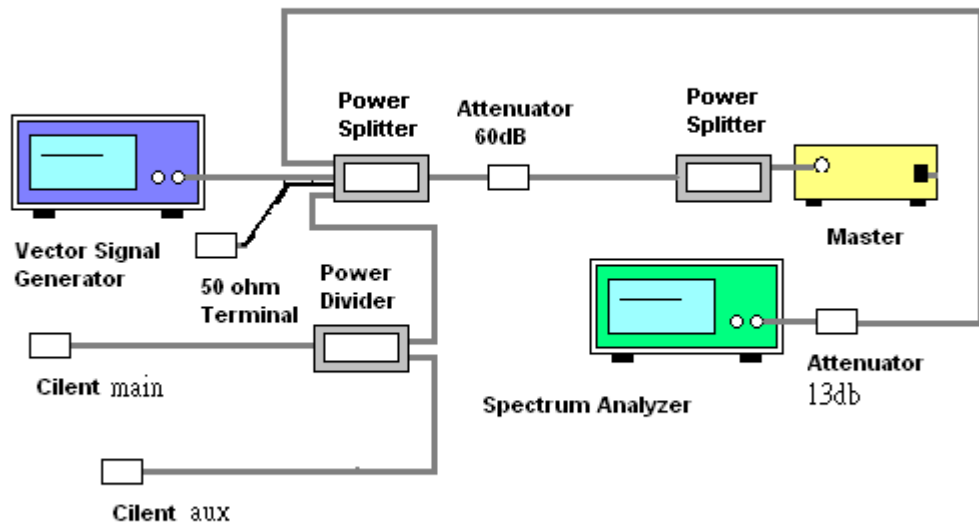
B13: Base-band Main Module

B106: frequency range (100 kHz to 6 GHz)

For selecting the waveform parameters from within the bounds of the signal type, system were random selection using uniform distribution.

3.7. Conducted Calibration Setup

Slave configure



3.8. Radar Waveform Calibration Procedure

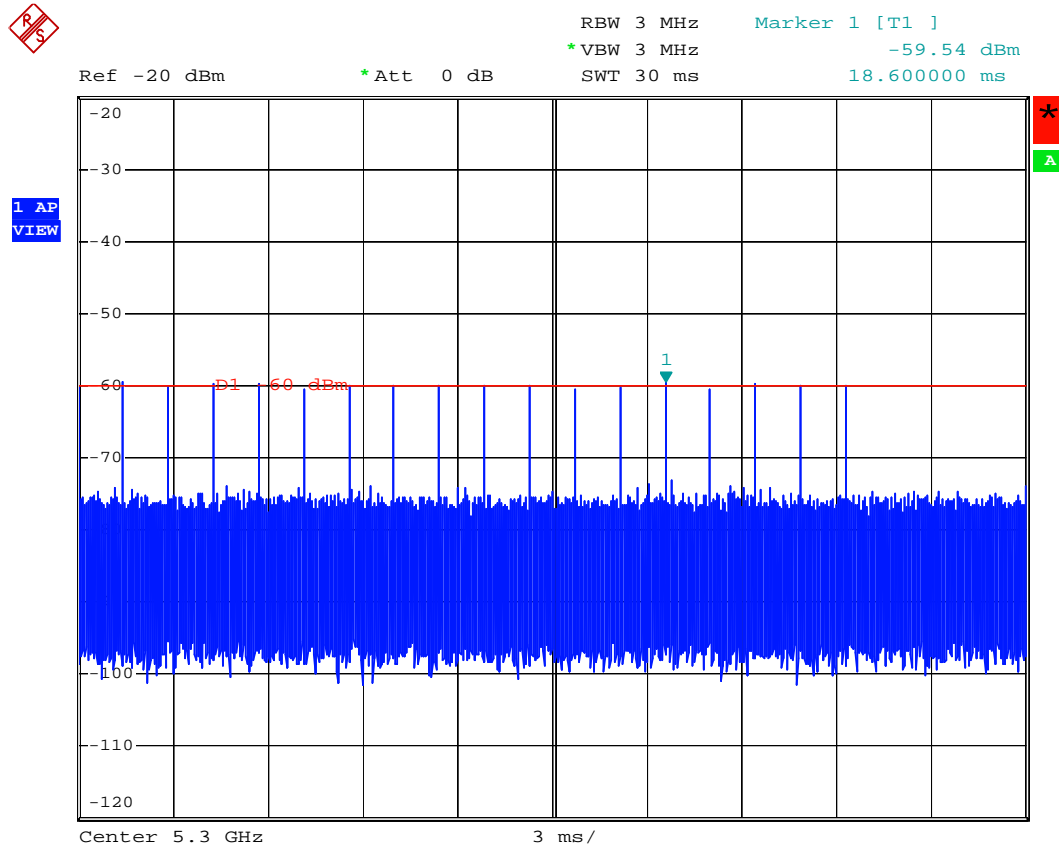
The Interference **Radar Detection Threshold Level** is $(-64\text{dBm}) + (3.5 [\text{dBi}]) + \{1 \text{ dB}\} = -59.5 \text{ dBm}$ that had been taken into account the output power range and antenna gain. The above equipment setup was used to calibrate the conducted Radar Waveform. A vector signal generator was utilized to establish the test signal level for each radar type. During this process there were replace 50ohm terminal form Master and Client device and no transmissions by either the Master or Client Device. The spectrum analyzer was switched to the zero span (Time Domain) at the frequency of the Radar Waveform generator. Peak detection was used. The spectrum analyzer resolution bandwidth (RBW) and video bandwidth (VBW) were set to at least 3 MHz. The vector signal generator amplitude was set so that the power level measured at the spectrum analyzer was -59.5dBm .. Capture the spectrum analyzer plots on short pulse radar types, long pulse radar type and hopping radar waveform.

3.9. Calibration Deviation

There is no deviation with the original standard.

3.10. Radar Waveform Calibration Result

Radar #1 DFS detection threshold level and the burst of pulses on the Channel frequency



Date: 3.DEC.2007 03:23:07

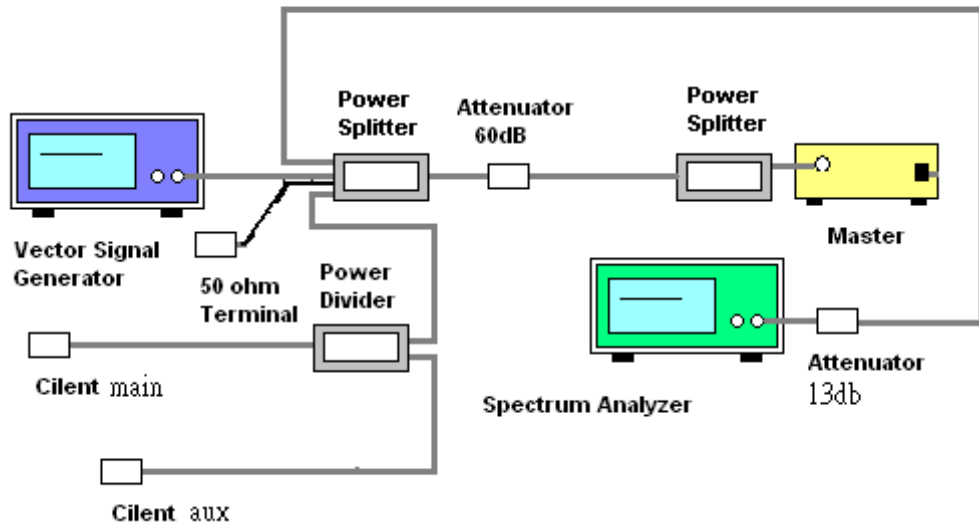
4. TEST SETUP AND TEST RESULT

4.1. Test setup

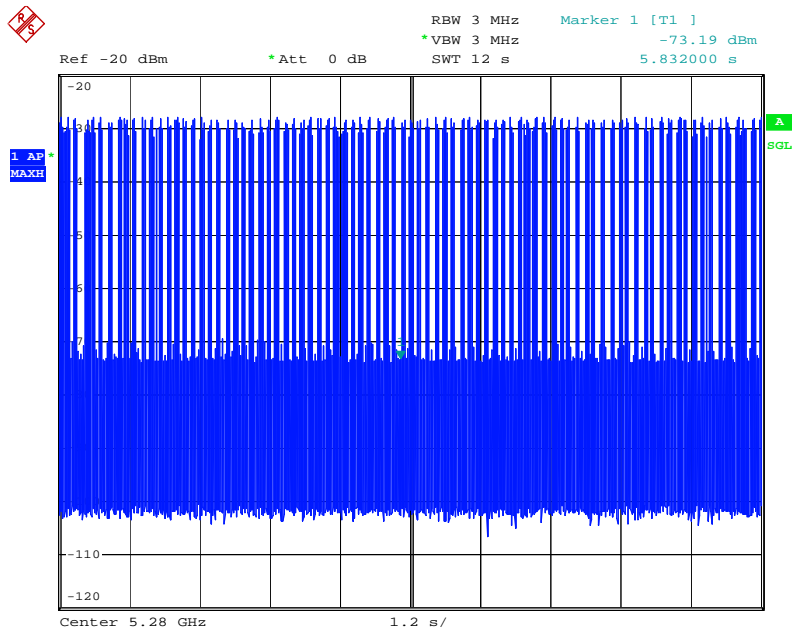
4.1.1. Test Setup Diagram

Following is the test setup for generate the radar waveforms and used to monitor UNII device.

Slave configure

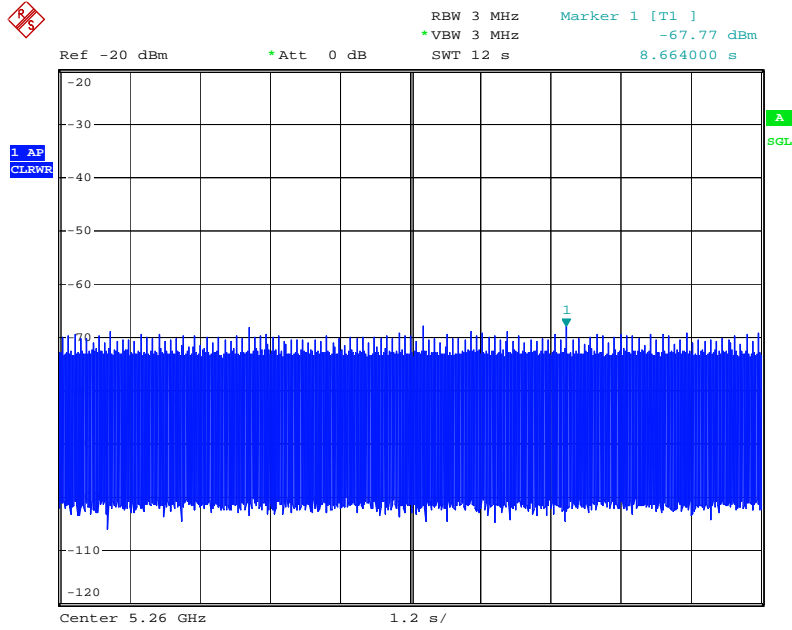


Data Traffic Plot (Client)



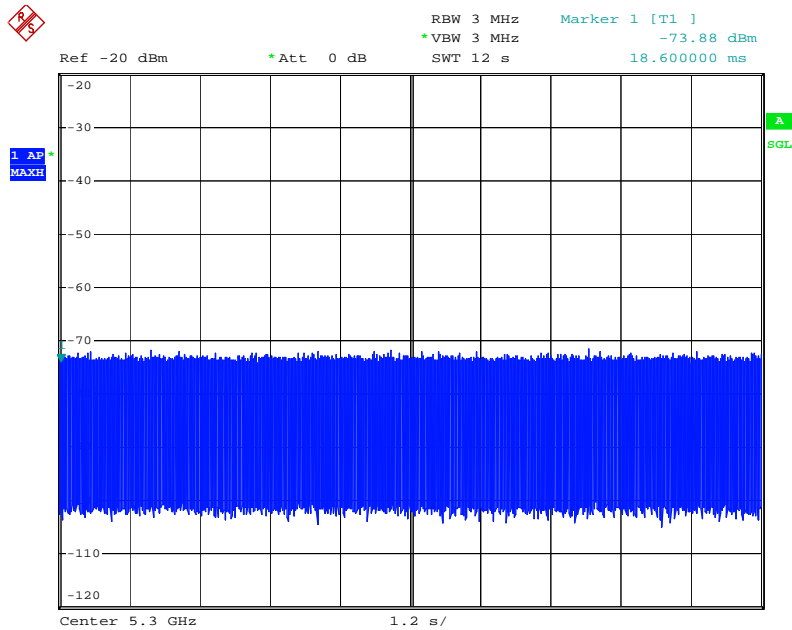
Date: 4.DEC.2007 22:29:49

Master Data Traffic Plot



Date: 3.DEC.2007 03:36:07

Without Data Traffic Plot (Noise Plot)



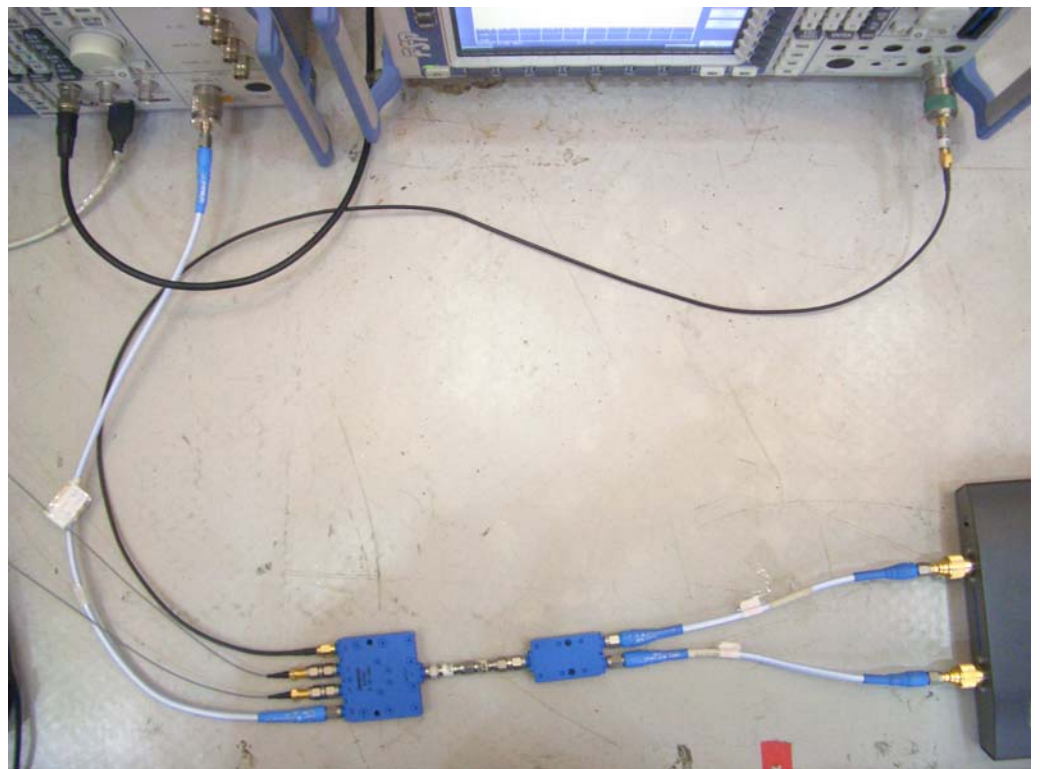
Date: 3.DEC.2007 03:28:10

4.1.2. Test Setup Photo

FRONT VIEW



ZOOM IN VIEW



4.1.3. Supporting Units

| Support Unit | Brand | Model No. | Serial No. | Software Version |
|---------------------|--------------|--|-------------------|--|
| MPEG Server | R&S | SMU200A | 102098 | Win XP SP2 / SMU200A 02.04.111 beta |
| Notebook PC | DELL | D505 | 3008A02096 | Win XP SP2 |
| AP (Master) | CISCO | AIR-AP1242AG-A-K9 (FCC ID: LDK102056) | FTX1040B3RE | IOS Software Release 12_3(11)JA |
| MPEG Test File | - | - | - | Note: From NTIA website |

4.1.4. Test Setup Operation

System testing was performed with the designated MPEG test file that streams full motion video from the Access Point to the Client in full motion video mode using the media player with the V2.61 Codec package.. This file is used by IP and Frame based systems for loading the test channel during the In-service compliance testing of the U-NII device.

The waveform parameters from within the bounds of the signal type are selected randomly using uniform distribution.

A spectrum analyzer is used as a monitor to verify that the EUT has vacated the Channel within the (Channel Closing Transmission Time and Channel Move Time, and does not transmit on a Channel during the Non-Occupancy Period after the detection and Channel move. It is also used to monitor EUT transmissions during the Channel Availability Check Time.

4.2. In-Service Monitoring for Channel Move Time, Channel Closing Transmission Time and Non-Occupancy Period Measurement

4.2.1. Limit

The EUT has In-Service Monitoring function to continuously monitor the radar signals, If radar is detected, must leave the channel (Shutdown). The Channel Move Time to cease all transmissions on the current Channel upon detection of a Radar Waveform above the DFS Detection Threshold within 10 sec. The total duration of Channel Closing Transmission Time is 260ms. Channel Closing Transmission Time is comprised of 200 ms starting at the beginning of the Channel Move Time plus any additional intermittent control signals between 9.8 sec after 200 ms starting from the end of radar burst. The Non-Occupancy Period time is 30 minute during which a Channel will not be utilized after a Radar Waveform is detected on that Channel.

4.2.2. Test Procedures

1. When a radar Burst with a level equal to the DFS Detection Threshold + 1dB is generated on the Operating Channel of the U-NII device. A U-NII device operating as a Client Device will associate with the Master at Channel. Stream the MPEG test file from the Master Device to the Client Device on the selected Channel for the entire period of the test. At time T0 the Radar Waveform generator sends a Burst of pulses for each of the radar types at Detection Threshold + 1dB.
2. Observe the transmissions of the EUT at the end of the radar Burst on the Operating Channel. Measure and record the transmissions from the EUT during the observation time (Channel Move Time). One 12 second plot been reported for the Short Pulse Radar Types 1. The plot for the Short Pulse Radar Types start at the end of the radar burst. The *Channel Move Time* will be calculated based on the plot of the Short Pulse Radar Type.
3. To measure the total intermittent control signals transmission time. The total intermittent control signals transmission time is measured between 9.8 sec that is calculated 10 sec starting at the beginning of the Channel Move Time and minus 200ms. The spectrum analyzer set to zero span tuned to the center frequency of the EUT operating channel at the radar simulated frequency, peak detection, and max hold, the dwell time per bin is given by: $Dwell = S / B$; where Dwell is the dwell time per spectrum analyzer sampling bin, S is the sweep time and B is the number of spectrum analyzer sampling bins. The total intermittent control signals transmission time is calculated by: $C = N \times Dwell$; where C is the total intermittent control signals transmission time between 9.8 sec, N is the number of spectrum analyzer sampling bins showing total intermittent control signals and Dwell is the dwell time per bin.
4. Measure the EUT for more than 30 minutes following the channel close/move time to verify that the EUT does not resume any transmissions on this Channel.

4.2.3. Test Deviation

There is no deviation with the original standard.

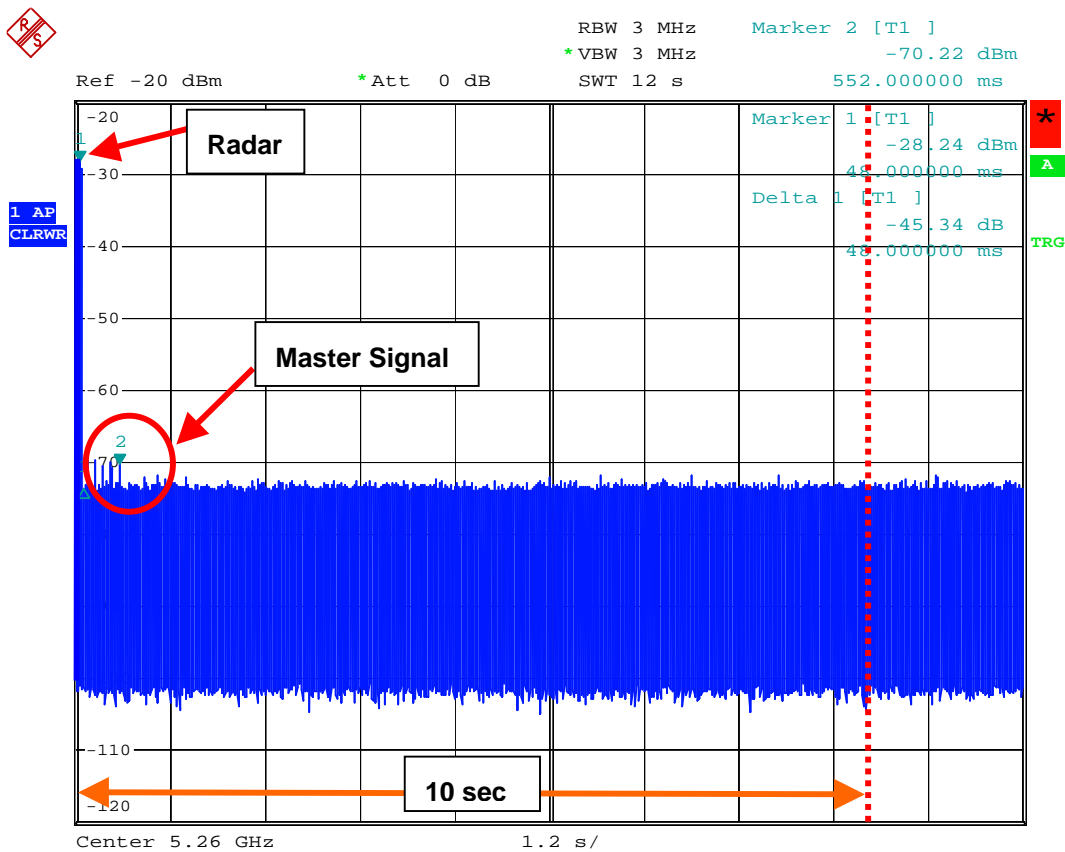
4.2.4. Result of Channel Move Time & Channel Closing Transmission Time & Non-Occupancy Period

| Parameter | Test Result | Limit |
|--|--------------|------------|
| | Radar Type 1 | |
| Test Channel (MHz) | 5300 | $\geq 60s$ |
| Channel Move Time (sec) | 0.096 | $< 10s$ |
| Intermittent control signals (ms) (Note) | 0 | $< 60ms$ |
| Non-Occupancy Period (min.) | ≥ 30 | ≥ 30 |

Note: The total intermittent control signals transmission time is measured between 9.8 sec that is calculated 10 sec starting at the beginning of the Channel Move Time and minus 200ms.

4.2.5. Channel Move Time Plot

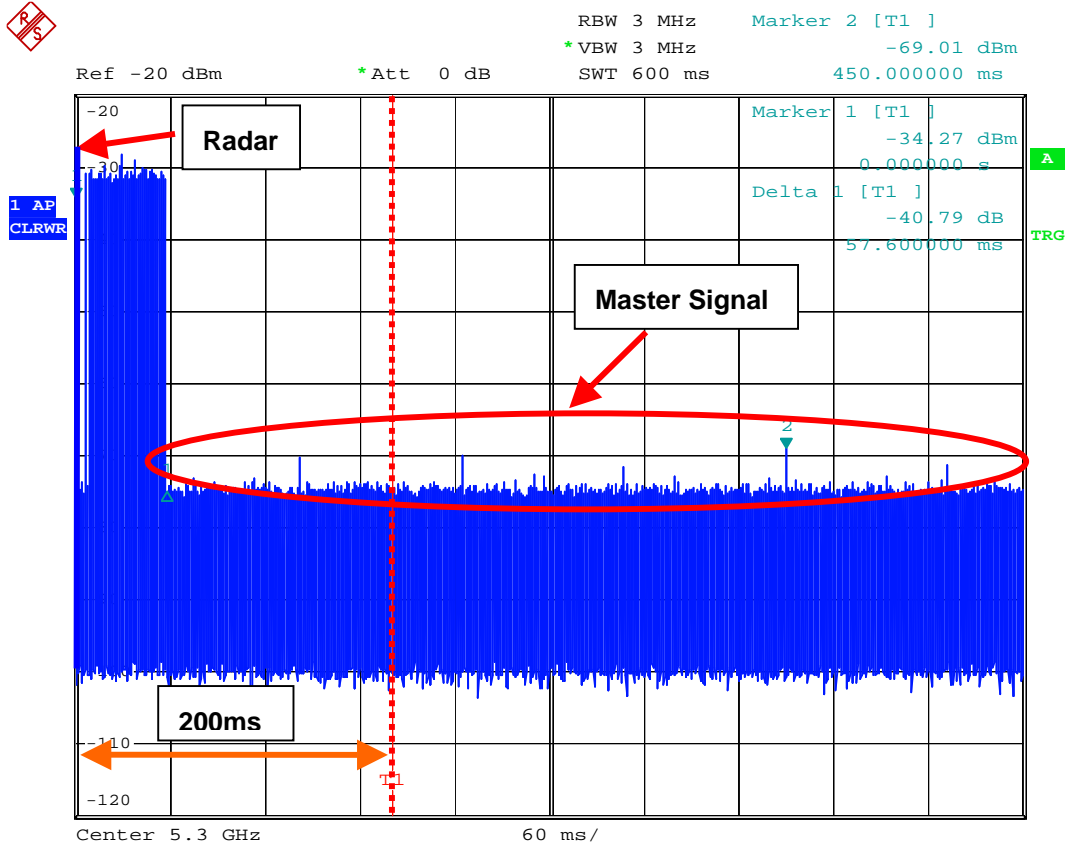
Radar #1 Channel Move Time



Date: 5.DEC.2007 00:38:37

4.2.6. Channel Closing Transmission Time Plot

Radar #1 Channel Closing Transmission Time is comprised of 200 ms starting at the beginning of the Channel Move Time plus 0ms intermittent control signals of 9.8 sec period



Date: 4.DEC.2007 22:42:53

Dwell is the dwell time per spectrum analyzer sampling bin.

S is the sweep time

B is the number of spectrum analyzer sampling bins

C is the intermittent control signals of Channel Closing Transmission Time in 9.8 sec period.

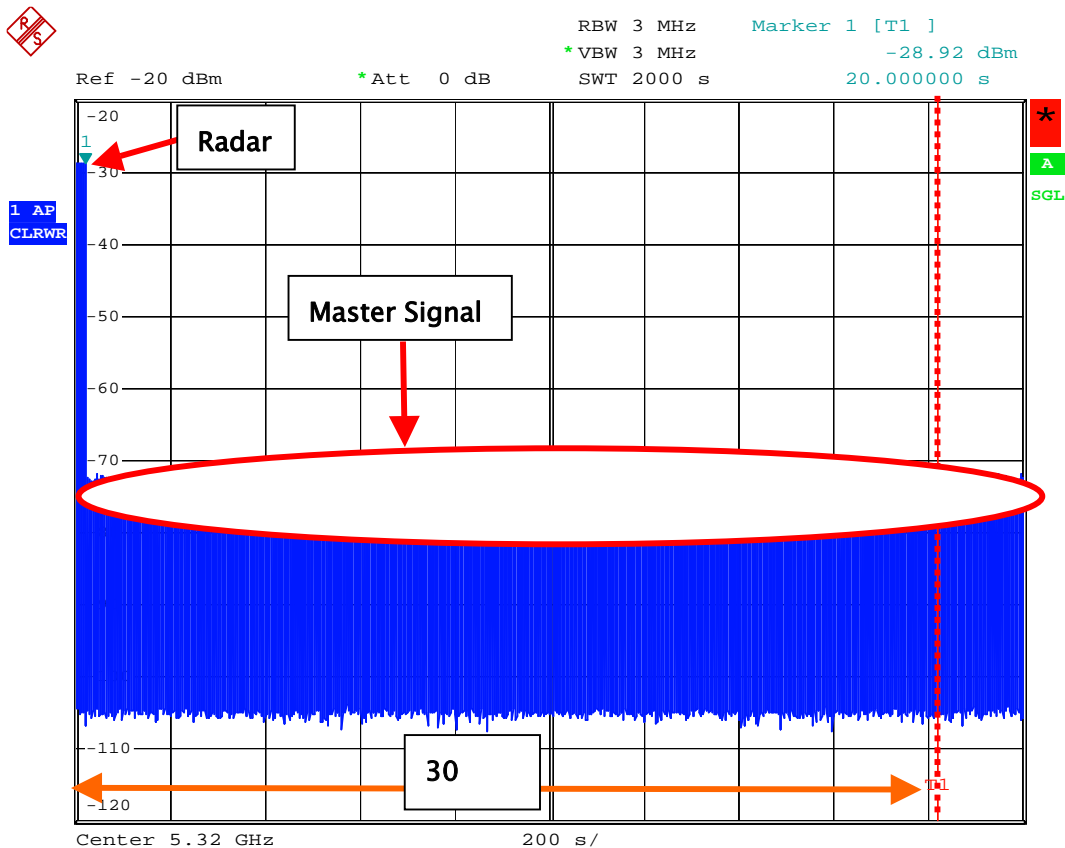
N is the number of spectrum analyzer sampling bins showing total intermittent control signals.

$$\text{Dwell (1.2 ms)} = \text{S (0.6 sec)} / \text{B (500)} ;$$

$$\text{C (0 ms)} = \text{N (0)} \times \text{Dwell (1.2 ms)} ;$$

4.2.7. Non-Occupancy Period Plot

Radar #1 Non-Occupancy Period



Date: 4.DEC.2007 23:23:23

5. MEASURING INSTRUMENTS

| Instrument | Brand | Model No. | Serial No. | Characteristics | Calibration Date |
|-------------------------|---------|--------------|-------------------|-----------------|------------------|
| Spectrum Analyzer | R&S | FSP30 | 100023 | 9kHz ~ 30GHz | Dec. 17, 2006 |
| RF CABLE-1m | Jye Bao | RG142 | CB034-1m | 20MHz ~ 7GHz | Dec. 01, 2007 |
| Vector Signal Generator | R&S | SMU200A | 102098 | 100kHz ~ 6GHz | Nov. 15, 2007 |
| RF Power Divider | HP | 11636A | 102934 | N/A | N/A |
| RF Power Splitter | Anaren | 44100 | 881840 / 881850 | N/A | N/A |
| RF Power Splitter | Anaren | 42100 | 8817950 / 8817960 | N/A | N/A |
| RF Cable-0.5m | SUHNER | SUCOFLEX 106 | TH01-HY -01~06 | 1GHz~26.5GHz | Feb. 04, 2007 |

Note: Calibration Interval of instruments listed above is one year.