

# MODEL : IP52 Keyboard Revision 01

## Contexts

Title	Page
Cover Sheet	1
IP52 Keyboard Block Diagram	2
Charger Ckt	3
Power Ckt	4
FSR Ckt	5
KEYBOARD CKT	6 7

## History of Schematics Revision 00 (EVT)

### Charger Ckt

PCB:PWA-CA25,IP52 KB FNKEY BD 316-1200-0026  
PWA:PWA-CA25,IP52 KB FNKEY BD 411-1200-0066

### Power Ckt

PCB:PWA-CA25,IP52 KB POWER BD 316-1200-0035  
PWA:PWA-CA25,IP52 KB POWER BD 411-1200-0063

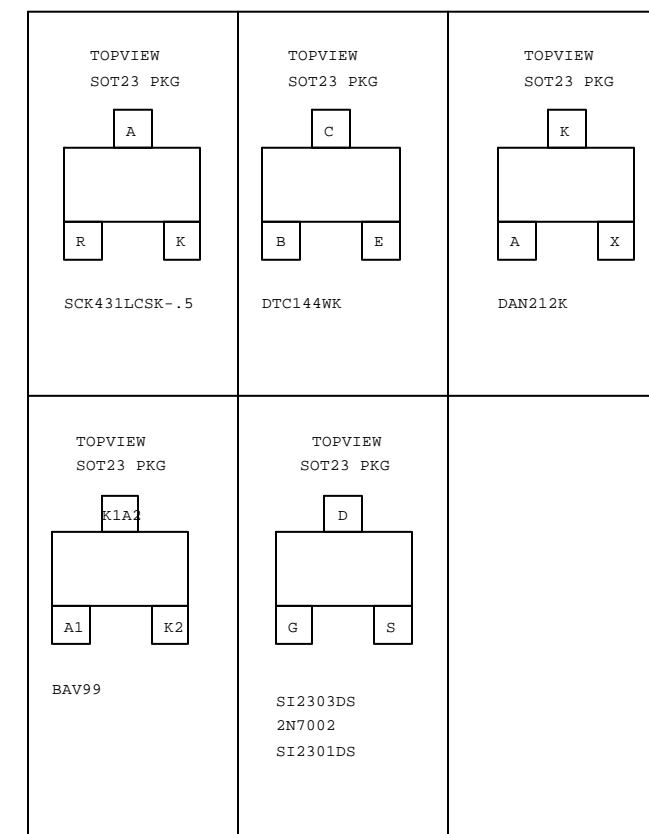
### FSR Ckt

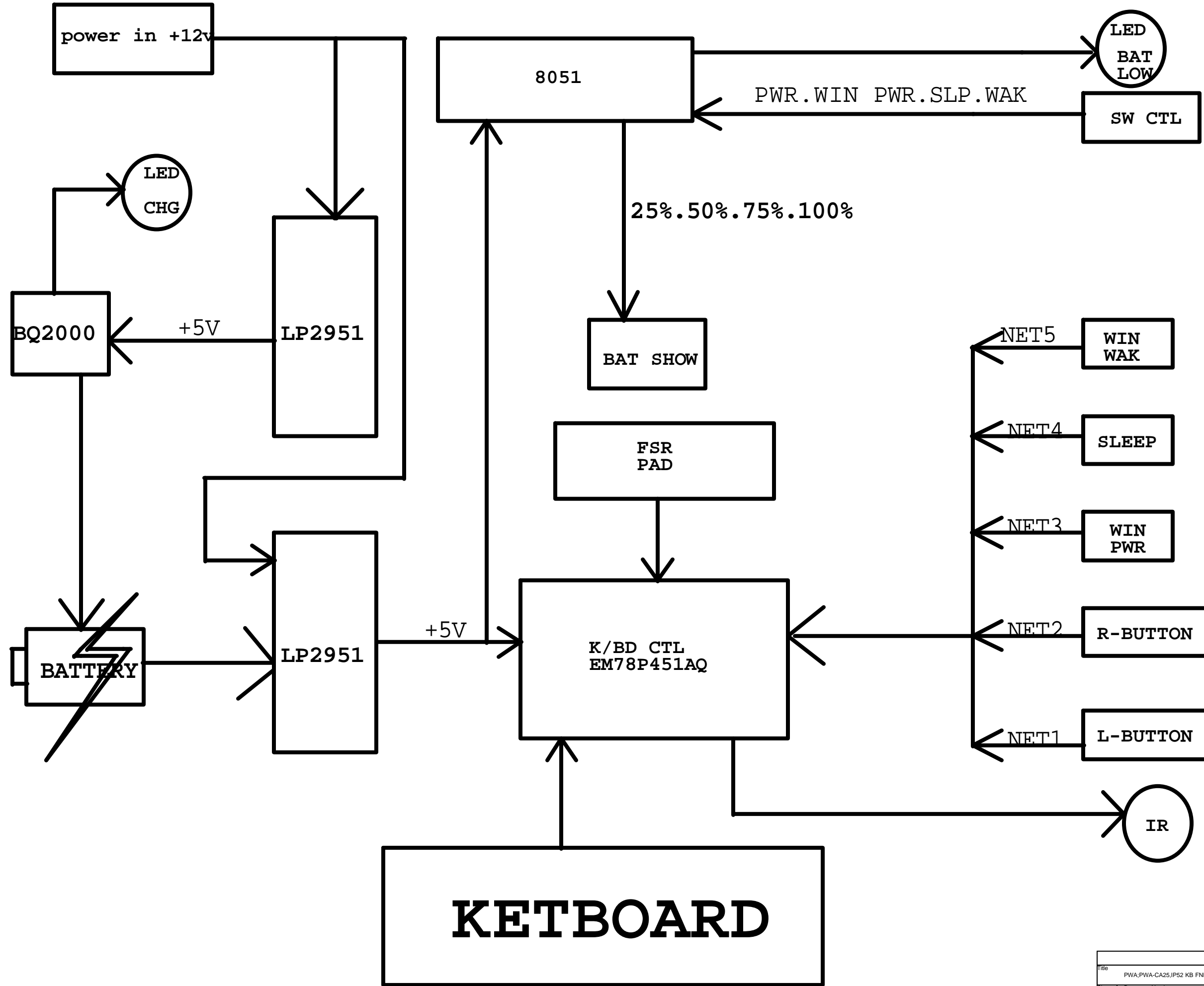
PCB:PWA-CA25,IP52 KB FSR BD 316-1200-0036  
PCB:PWA-CA25,IP52 KB FSR BD 411-1200-0060

### KEYBOARD CKT

PCB:PWA-CA25,IP52 KEYBOARD  
SD 31612000025  
PWB:PWA-CA25,IP52 KEYBOARD  
SD:41112000064

DRAW	DESIGN	CHECK	ISSUED





Title		
PWA-PWA-CA25.JP52 KB FNKEY BD		
Size	Document Number	Rev
C	SD 411120000066	R0A
Date:	Tuesday, May 06, 2003	Sheet 2 of 3