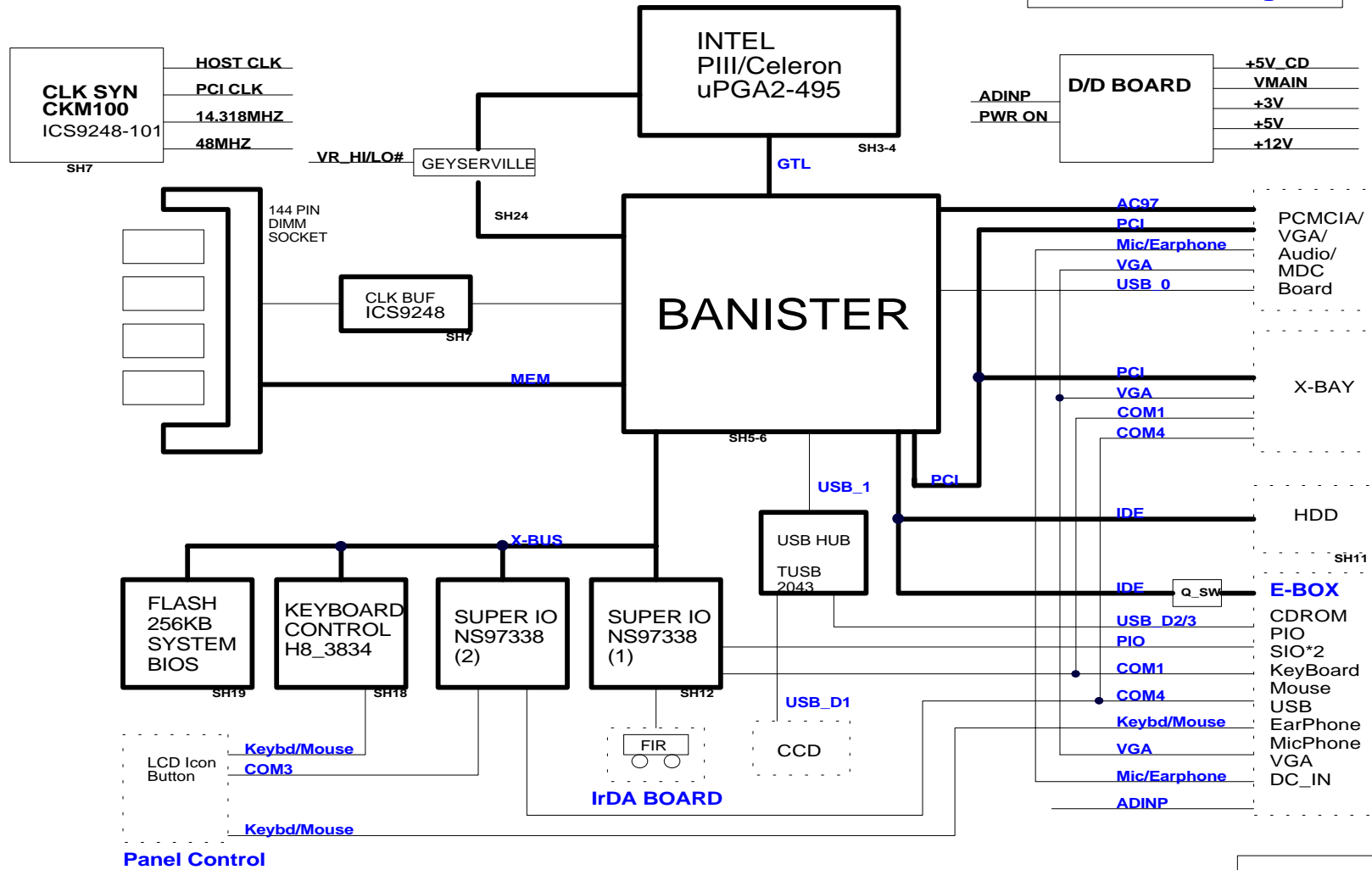


CA25 Block Diagram



File			
PWA/PWA-CA25.MOTHER BOARD			
Size	Document Number	Rev	
C	SD411-1200-00001	R0D	
Date	Tuesday, August 14, 2001	Sheet	2 of 17