



JOINSOON ELECTRONICS MFG. CO., LTD.

建舜電子製造股份有限公司

# 承認書

## APPROVAL SHEET

客戶名稱(CUSTOMER): MITAC

品名(DESCRIPTION): MITAC A790 WWAN-R Antenna

品號(PART NO): IA-060168客戶料號:313002000279

承認號碼(APPROVAL SHEET NO): 060104

客戶承認 (CUSTOMER APPROVAL)

H/W 1  
2007.09.03  
涂忠祺





# 建舜電子製造股份有限公司

JOINSOON ELECTRONICS MFG. CO., LTD

## 目錄

## INDEX

1.Coverage .....1

2.Product Drawing.....2

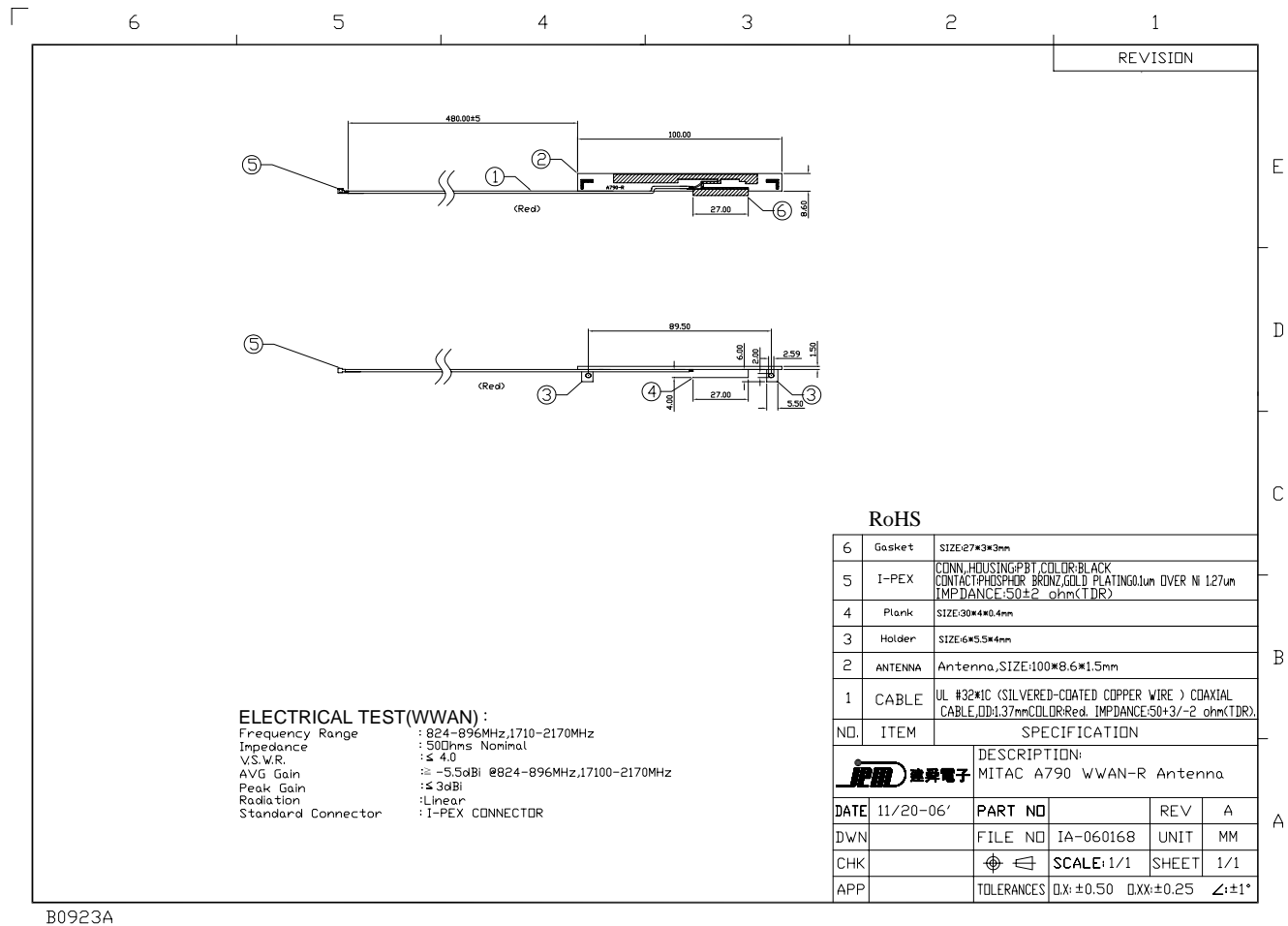
3. Quick reference data.....3

4.Test Results.....4

5.Material Identification.....NA

承認序號 (APPROVAL SHEET NO.)	APP-Q060104			發行日期 (RELEASED DATE)
品名規格 (DESCRIPTION)	MITAC A790 WWAN-R Antenna			
檔案號碼 (FILE NO.)	IA-060168	版次 (REV)	A	
工程師 (ENGINEER)				
品保確認 (QC. CHK.)				
工程確認 (ENG. CHK.)				

一、成品圖



B0923A



**QUICK REFERENCE DATA**

**Antenna Patch Dimension**      100\*8.6\*1.5 mm    Antenna

**Cable Length**                      480mm, Color Red

**Connector**                              I-PEX

**Peak Gain**                               $\leq 3.0$  dBi

**VSWR**                                       $\leq 4.0$

**Polarization**                          Linear

**Impedance**                               $50 \Omega$

**Operating Temperature**          -40~90 °C

**Maximum Power**                      1W

**二、 Test results**

<b>A790 Right</b>			
<b>Frequency</b>	<b>E Total. dB</b>	<b>Efficiency</b>	<b>Efficiency . dB</b>
825000000	-3.54	0.21	-6.84
835000000	-2.09	0.25	-6.09
850000000	-1.38	0.29	-5.38
870000000	-1.45	0.30	-5.17
880000000	-1.26	0.29	-5.45
895000000	-2.96	0.22	-6.59
1710000000	-0.93	0.25	-6.02
1750000000	-0.08	0.31	-5.07
1780000000	0.72	0.33	-4.77
1800000000	0.88	0.34	-4.75
1810000000	1.32	0.35	-4.58
1840000000	0.94	0.33	-4.78
1850000000	0.15	0.31	-5.15
1880000000	-0.54	0.27	-5.61
1910000000	0.14	0.29	-5.41
1920000000	0.51	0.31	-5.08
1930000000	-0.11	0.30	-5.17
1950000000	0.54	0.30	-5.23
1960000000	0.59	0.29	-5.33
1980000000	0.18	0.26	-5.86
1990000000	0.58	0.28	-5.56
2110000000	-0.32	0.21	-6.76
2140000000	-0.51	0.20	-7.07
2170000000	-0.70	0.18	-7.53