

**Model name:3G ANTENNA M230**

**Antenna type:PIFA ANT**

**P/N: 313002000360 TF041-ANTENNA;3G ANTENNA,L,M230**

**P/N:313002000361 TF041-ANTENNA;3G ANTENNA,R,M230**

**Antenna GAIN:**

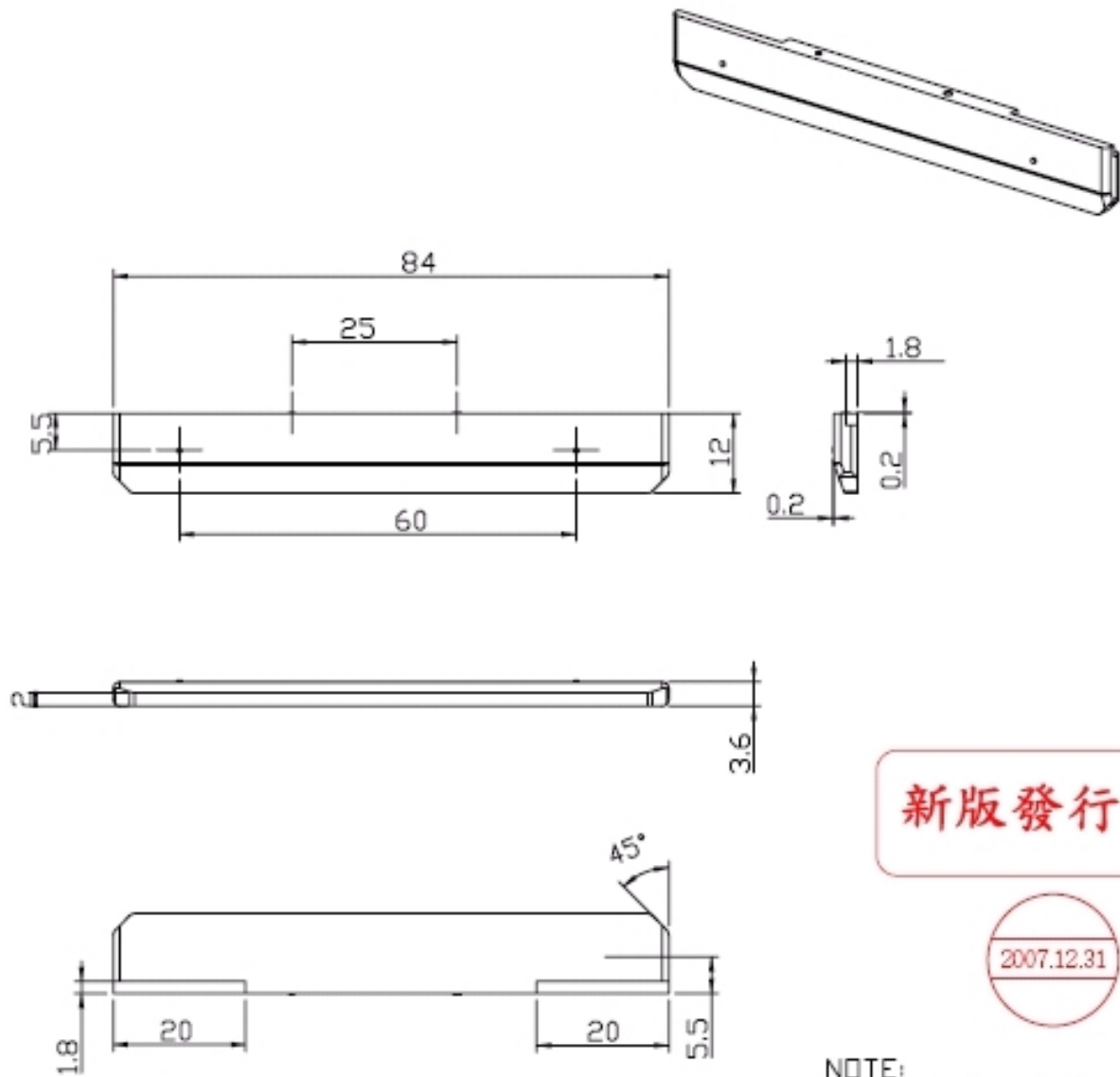
**MAIN**

<b>M230-Right</b>			
<b>Frequency</b>	<b>E Total. dB</b>	<b>Efficiency</b>	<b>Efficiency dB.</b>
824000000	-1.13	0.23	-6.36
836000000	-0.51	0.28	-5.54
849000000	-0.66	0.28	-5.51
869000000	-0.47	0.36	-4.49
880000000	-0.06	0.37	-4.27
894000000	0.34	0.42	-3.76
900000000	0.77	0.43	-3.63
915000000	1.15	0.52	-2.85
925000000	1.66	0.51	-2.90
940000000	1.56	0.54	-2.71
960000000	1.67	0.44	-3.57
1710000000	1.87	0.46	-3.40
1750000000	2.94	0.56	-2.55
1785000000	2.55	0.54	-2.69
1805000000	3.33	0.61	-2.13
1840000000	3.01	0.54	-2.68
1850000000	2.88	0.56	-2.52
1880000000	3.32	0.57	-2.41
1910000000	4.21	0.62	-2.05
1920000000	3.50	0.56	-2.54
1930000000	4.02	0.60	-2.25
1950000000	3.56	0.58	-2.40
1960000000	3.60	0.58	-2.35
1980000000	3.28	0.58	-2.35
1990000000	3.39	0.55	-2.56
2110000000	3.68	0.64	-1.96
2140000000	3.40	0.58	-2.39
2170000000	3.07	0.51	-2.96

# AUX

M230-Left			
Frequency	E Total. dB	Efficiency	Efficiency dB.
824000000	0.97	0.53	-2.76
836000000	0.72	0.56	-2.54
849000000	0.40	0.53	-2.78
869000000	-0.07	0.50	-3.05
880000000	-1.15	0.40	-4.03
894000000	-0.63	0.37	-4.29
900000000	-1.00	0.33	-4.84
915000000	-1.73	0.28	-5.60
925000000	-1.59	0.26	-5.92
940000000	-2.19	0.22	-6.52
960000000	-1.35	0.23	-6.47
1710000000	2.21	0.52	-2.82
1750000000	2.61	0.60	-2.24
1785000000	2.57	0.60	-2.25
1805000000	2.96	0.63	-2.00
1840000000	2.24	0.53	-2.74
1850000000	2.13	0.54	-2.71
1880000000	2.39	0.55	-2.56
1910000000	2.18	0.58	-2.35
1920000000	2.23	0.54	-2.66
1930000000	2.75	0.53	-2.72
1950000000	2.43	0.53	-2.76
1960000000	2.10	0.49	-3.12
1980000000	2.58	0.51	-2.92
1990000000	1.45	0.45	-3.42
2110000000	1.45	0.50	-3.04
2140000000	0.85	0.43	-3.64
2170000000	0.16	0.37	-4.26

# 天線尺寸圖



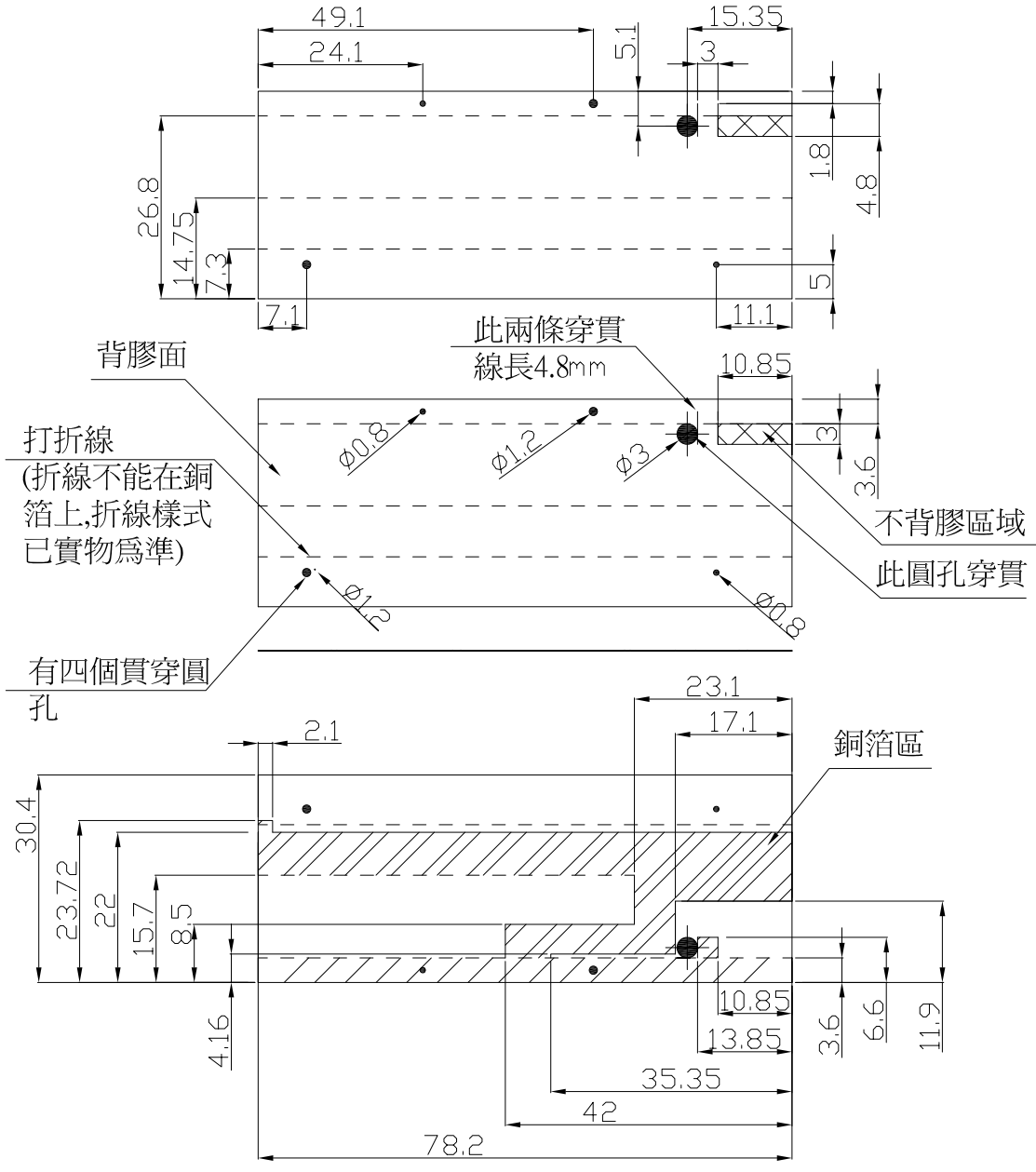
新版發行

2007.12.31

NOTE:  
1. MATERIAL: ABS

model name:FPC-3G-L-M230

TOL ±																	
RANGE	M1	M2	S1	S2	P1	P2	C	B									//
0~6	.05	0.1	.15	0.2	.05	0.1	0.5	.15									//
6~30	0.1	0.2	.15	.25	0.1	.15	1	.15									//
30~80	.15	.25	0.2	0.3	0.2	0.4	2	.25									//
80~180	.15	0.3	.25	.45	0.4	0.8	3	.25									//
180~315	0.2	0.5	0.4	0.6	0.6	1.2	3	0.3									//
315~800	0.3	0.8	0.7	1.1	0.8	1.5	4	0.5	ITEM	CONTENTS OF CHANGE			RVS	CHK	APV	M/D/Y	



DATE	19-Dec-2007	MATERIAL	SEE NOTES	TREATMENT	PROJECTION	
UNIT	MM	SCALE		DRAWING NAME	TF041-FPC-3G-L-M230	
DESIGNED	CHECKED	CHECKED	APPROVED	MATERIAL NO.	MF	R 00
<b>MITAC</b> Technology Corp.						