



# SAR Test Report

*of*

*Product Name*

**Notebook Personal Computer**

*Model*

**V100**

**(With WLAN & Bluetooth & WWAN Module)**

*Applied by:*

MITAC Technology Corporation  
4F, No.1, R&D Road 2,  
Hsinchu Science-Based industrial Park, Hsinchu 300  
Taiwan, R. O. C.

Test Performed by:

International Standards Laboratory  
No. 120, Lane 180, San Ho Tsuen, Hsin Ho Rd.  
Lung-Tan Hsiang, Tao Yuan County 325  
Taiwan, R.O.C.  
Tel:(03)407-1718 Fax:(03)407-1738

**Report Number: ISL-07LR008SAR-F**

**Issue Date: 2007/04/04**

**HC LAB:** NVLAP:200234-0; VCCI: R-341,C-354; NEMKO:ELA 113A; BSMI:SL2-IN-E-0037; SL2-R1-E-0037; TAF:1178; IC:IC4067

**LT LAB:** NVLAP:200234-0; VCCI: R-1435,C-1440; NEMKO:ELA 113B; BSMI:SL2-IN-E-0013; TAF:0997; IC:IC4164-1

ISL-T10-R4-14

## Contents of Report

1. General.....	1
1.1 Certification of Accuracy of Test Data .....	1
2. Description of Equipment under Test (EUT) .....	2
2.1 Test Environment.....	3
3. SAR Measurement System.....	4
3.1 ALSAS-10U System Description .....	4
3.1.1 Applications .....	4
3.1.2 Area Scans .....	4
3.1.3 Zoom Scan (Cube Scan Averaging) .....	5
3.1.4 ALSAS-10U Interpolation and Extrapolation Uncertainty .....	5
3.1.5 3-6 GHz SAR Requirements.....	5
3.1.6 3-6GHz System Accuracy .....	5
3.2 Isotropic E-Field Probe.....	6
3.2.1 Isotropic E-Field Probe Specification.....	7
3.3 Boundary Detection Unit and Probe Mounting Device.....	7
3.4 Daq-Paq (Analog to Digital Electronics).....	8
3.5 Axis Articulated Robot.....	8
3.6 ALSAS Universal Workstation .....	9
3.7 Universal Device Positioner .....	9
3.8 Phantom Types .....	10
3.8.1 APREL Laboratories Universal Phantom.....	10
4. Tissue Simulating Liquid.....	11
4.1 The composition of the tissue simulating liquid.....	11
4.2 Tissue Calibration Result.....	12
4.3 Tissue Dielectric Parameters for Head and Body Phantoms .....	15
5. SAR Measurement Procedure.....	16
5.1 SAR System Validation .....	16
5.1.1 Validation Dipoles .....	16
5.1.2 Validation Result .....	17
5.2 Arrangement Assessment Setup .....	19
5.2.1 Test Positions of Device Relative to Head .....	19
5.2.2 Definition of the “Cheek” Position.....	19
5.2.3 Definition of the “Tilted” Position.....	21
5.2.4 Test Positions for body-worn.....	21
5.3 SAR Measurement Procedure.....	22
6. SAR Exposure Limits .....	23
7. Test Equipment List.....	24
8. Measurement Uncertainty .....	25
9. EUT test Position .....	26
9.1. EUT Test Position : Laptop Mode.....	26
9.2. EUT Test Position: Tablet Mode .....	26

10.	Test Result Summary .....	27
10.1	WLAN + WWAN + Bluetooth - Laptop mode .....	27
10.2	WLAN + WWAN + Bluetooth - Tablet mode .....	28
10.3	EVDO835 Test Result .....	29
10.4	EVDO1900 Test Result .....	29
10.5	802.11b Test Result .....	30
10.6	802.11g Test Result .....	30
10.7	802.11a (5150MHz ~ 5350MHz) Test Result .....	31
10.8	802.11a (5725MHz ~5825MHz) Test Result .....	32
11.	Appendix A: Photographs of Test Setup .....	33
12.	Appendix B: Photographs of EUT .....	33
13.	Appendix C: SAR System Validation Data .....	33
14.	Appendix D: SAR measurement Data .....	33
15.	Appendix E: Probe calibration data .....	33
16.	Appendix F: Dipole calibration data .....	33

# 1. General

## 1.1 Certification of Accuracy of Test Data

**Standards:** **FCC Oet65 Supplement C June 2001**  
**IEEE Std. 1528-2003**  
**47CFR § 2.1093**

**Equipment Tested:** Notebook Personal Computer

**Model:** V100

**Applied by** MITAC Technology Corporation

**Sample received Date:** 2007/01/15


**Final test Date :** refer to the date of test data

**Report Engineer:** Ivy Yang

**Test Site:** SAR test site

**Test Summary** **Body Maximum SAR Measurement (1g)**  
802.11b +EVDO835 +BT : 0.349 W/g  
802.11g +EVDO835 +BT : 0.706 W/g  
802.11a +EVDO835 +BT : 0.436 W/g  
802.11b +EVDO1900 +BT : 0.477 W/g  
802.11g +EVDO1900 +BT : 0.834 W/g  
802.11a +EVDO1900 +BT : 0.564 W/g

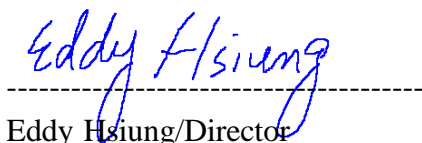
**Test Engineer:**



Jerry Chio

All the tests in this report have been performed and recorded in accordance with the standards described above and performed by an independent test lab, International Standards Laboratory. The test results contained in this report accurately represent the measurements of the characteristics and the energy generated by sample equipment under test at the time of the test. The sample equipment tested as described in this report is in compliance with the limits of above standards.

Approve & Signature



Eddy Hsiung/Director

Test results given in this report apply only to the specific sample(s) tested under stated test conditions. This report shall not be reproduced other than in full without the explicit written consent of ISL. This report totally contains 36 pages, including 1 cover page, 2 contents page, and 33 pages for the test description. This report must not be used to claim product endorsement by NVLAP, NIST, any agency of the federal government.

## 2. Description of Equipment under Test (EUT)

Product Name	Notebook Personal Computer
Model No.	V100
FCC ID:	MAU023
Co-located WWAN Module	SIERRA (Model:MC5720)
WWAN Module FCC ID	N7N-MC5720
WWAN TX Frequency	824MHz ~ 849MHz 1850MHz ~ 1910MHz
WWAN Max. Output Power (Conducted)	US 850: 24.21 dBm PCS 1900: 24.94 dBm
WWAN Antenna Peak Gain	1.1dBi(800MHz), 2.02dBi(1900MHz)
Co-located WLAN Module	Intel, Model: WM3945ABG
WLAN Module FCC ID	PD9-WM3945ABG
WLAN TX Frequency	2412 MHz ~ 2462 MHz 5150 MHz ~ 5350 MHz 5725 MHz ~ 5825 MHz
WLAN Type of Modulation	802.11b: DSSS 802.11g: OFDM 802.11a: OFDM
WLAN Max. Output Power (Conducted)	802.11b: 14.95dBm 802.11g: 18.57dBm 802.11a: 14.45dBm
WLAN Antenna Peak Gain	1.61(802.11b/g)) 3.97(802.11a)
WLAN Transfer Rate	802.11b: 1~11Mbps 802.11g: 6~54Mbps 802.11a: 6~54Mbps
Power Type	Tablet PC
Antenna Type	Internal
Device Category	Portable
RF Exposure Environment	Uncontrolled

## 2.1 Test Environment

### Ambient conditions of test site (2007/02/12):

Item	Required	Actual
Temperature (°C)	18-25	22
Humidity (%RH)	30-70	46

### Ambient conditions of test site (2007/01/25):

Item	Required	Actual
Temperature (°C)	18-25	22.3
Humidity (%RH)	30-70	50

### Ambient conditions of test site (2007/01/29):

Item	Required	Actual
Temperature (°C)	18-25	22.6
Humidity (%RH)	30-70	50

## 3. SAR Measurement System

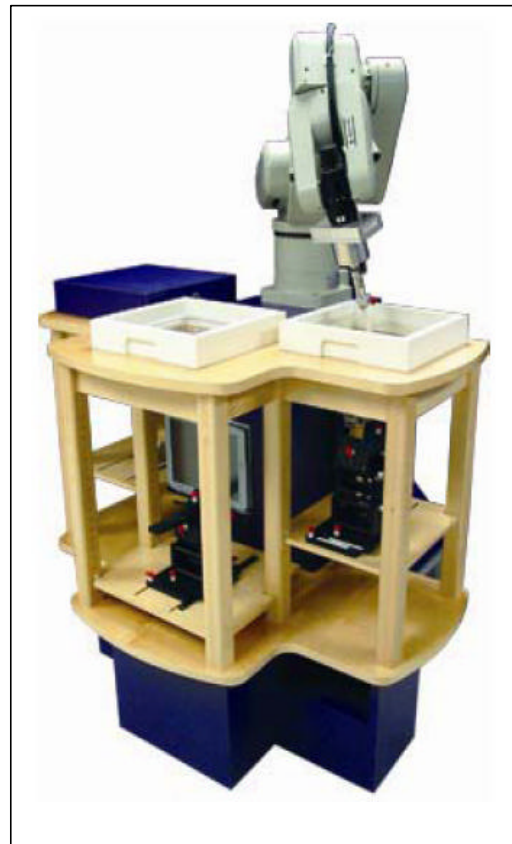
### 3.1 ALSAS-10U System Description

ALSAS-10-U is fully compliant with the technical and scientific requirements of IEEE 1528, IEC 62209, CENELEC, ARIB, ACA, and the Federal Communications Commission. The system comprises of a six axes articulated robot which utilizes a dedicated controller.

ALSAS-10U uses the latest methodologies and FDTD modeling to provide a platform which is repeatable with minimum uncertainty.

#### 3.1.1 Applications

Predefined measurement procedures compliant with the guidelines of CENELEC, IEEE, IEC, FCC, etc are utilized during the assessment for the device. Automatic detection for all SAR maxima are embedded within the core architecture for the system, ensuring that peak locations used for centering the zoom scan are within a 1mm resolution and a 0.05mm repeatable position. System operation range currently available up-to 6 GHz in simulated tissue.



#### 3.1.2 Area Scans

Area scans are defined prior to the measurement process being executed with a user defined variable spacing between each measurement point (integral) allowing low uncertainty measurements to be conducted. Scans defined for FCC applications utilize a 10mm<sup>2</sup> step integral, with 1mm interpolation used to locate the peak SAR area used for zoom scan assessments.

Where the system identifies multiple SAR peaks (which are within 25% of peak value) the system will provide the user with the option of assessing each peak location individually for zoom scan averaging.

### 3.1.3 Zoom Scan (Cube Scan Averaging)

The averaging zoom scan volume utilized in the ALSAS-10U software is in the shape of a cube and the side dimension of a 1 g or 10 g mass is dependent on the density of the liquid representing the simulated tissue. A density of 1000 kg/m<sup>3</sup> is used to represent the head and body tissue density and not the phantom liquid density, in order to be consistent with the definition of the liquid dielectric properties, i.e. the side length of the 1 g cube is 10mm, with the side length of the 10 g cube 21,5mm.

When the cube intersects with the surface of the phantom, it is oriented so that 3 vertices touch the surface of the shell or the center of a face is tangent to the surface. The face of the cube closest to the surface is modified in order to conform to the tangent surface.

The zoom scan integer steps can be user defined so as to reduce uncertainty, but normal practice for typical test applications (including FCC) utilize a physical step of 5x5x8 (8mmx8mmx5mm) providing a volume of 32mm in the X & Y axis, and 35mm in the Z axis.

### 3.1.4 ALSAS-10U Interpolation and Extrapolation Uncertainty

The overall uncertainty for the methodology and algorithms the used during the SAR calculation was evaluated using the data from IEEE 1528 based on the example f3 algorithm:

$$f_3(x, y, z) = A \frac{a^2}{\frac{a^2}{4} + x'^2 + y'^2} \cdot \left( e^{-\frac{2z}{a}} + \frac{a^2}{2(a + 2z)^2} \right)$$

### 3.1.5 3-6 GHz SAR Requirements

< 4.5GHz	Frequency	4.5GHz
3.5 ±0.5 mm	Closest Measurement Point to Phantom	2.5 ±0.5 mm
5 mm	Zoom Scan (x,y) Resolution	4 mm
3 mm	Zoom Scan (z) Resolution	2.5 mm
30 x 30 x 24	Minimum Zoom Scan Volume	24 x 24 x 20
7 x 7 x 9	Minimum Zoom Scan Grid Points	7 x 7 x 9

### 3.1.6 3-6GHz System Accuracy

- 1g SAR within 10% of manufacturer calibrated dipole target value.
- Extrapolated peak SAR at phantom surface above dipole feed-point within 15% of calibrated target peak SAR of dipole.

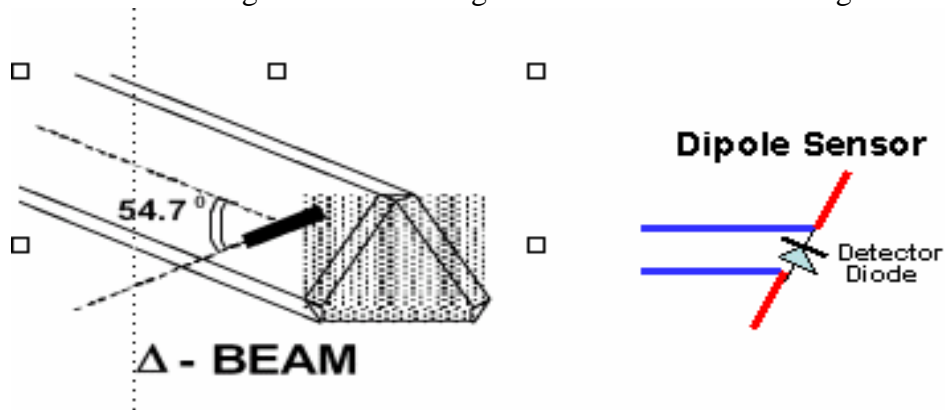


### 3.2 Isotropic E-Field Probe

The isotropic E-Field probe has been fully calibrated and assessed for isotropicity, and boundary effect within a controlled environment. Depending on the frequency for which the probe is calibrated the method utilized for calibration will change. A number of methods is used for calibrating probes, and these are outlined in the table below:

Calibration Frequency	Air Calibration	Tissue Calibration
835MHz	TEM Cell	Temperature
900MHz	TEM Cell	Temperature
1800MHz	TEM Cell	Temperature
1900MHz	TEM Cell	Temperature
2450MHz	Waveguide	Temperature
5200MHz	Waveguide	Temperature
5800MHz	Waveguide	Temperature

The E-Field probe utilizes a triangular sensor arrangement as detailed in the diagram below:



SAR is assessed with a calibrated probe which moves at a default height of 5mm from the center of the diode, which is mounted to the sensor, to the phantom surface (in the Z Axis). The 5mm offset height has been selected so as to minimize any resultant boundary effect due to the probe being in close proximity to the phantom surface.

The following algorithm is an example of the function used by the system for linearization of the output from the probe when measuring complex modulation schemes.

$$V_i = U_i + U_i^2 \cdot \frac{cf}{dcp_i}$$

### 3.2.1 Isotropic E-Field Probe Specification

Calibration in Air	Frequency Dependent Below 2GHz Calibration in air performed in a TEM Cell Above 2GHz Calibration in air performed in waveguide
Sensitivity	0.70 $\mu\text{V}/(\text{V}/\text{m})^2$ to 0.85 $\mu\text{V}/(\text{V}/\text{m})^2$
Dynamic Range	0.0005 W/kg to 100W/kg
Isotropic Response	Better than 0.2dB
Diode Compression point (DCP)	Calibration for Specific Frequency
Probe Tip Radius	< 5mm
Sensor Offset	1.56 (+/- 0.02mm)
Probe Length	290mm
Video Bandwidth	@ 500 Hz: 1dB @ 1.02 KHz: 3dB
Boundary Effect	Less than 2% for distance greater than 2.4mm
Spatial Resolution	Diameter less than 5mm Compliant with Standards

### 3.3 Boundary Detection Unit and Probe Mounting Device

ALSAS-10U incorporates a boundary detection unit with a sensitivity of 0.05mm for detecting all types of surfaces. The robust design allows for detection during probe tilt (probe normalize) exercises, and utilizes a second stage emergency stop. The signal electronics are fed directly into the robot controller for high accuracy surface detection in lateral and axial detection modes (X, Y, & Z).

The probe is mounted directly onto the Boundary Detection unit for accurate tooling and displacement calculations controlled by the robot kinematics. The probe is connect to an isolated probe interconnect where the output stage of the probe is fed directly into the amplifier stage of the Daq-Paq.

### 3.4 Daq-Paq (Analog to Digital Electronics)

ALSAS-10U incorporates a fully calibrated Daq-Paq (analog to digital conversion system) which has a 4 channel input stage, sent via a 2 stage auto-set amplifier module. The input signal is amplified accordingly so as to offer a dynamic range from 5µV to 800mV. Integration of the fields measured is carried out at board level utilizing a Co-Processor which then sends the measured fields down into the main computational module in digitized form via an RS232 communications port. Probe linearity and duty cycle compensation is carried out within the main Daq-Paq module.

ADC	12 Bit
Amplifier Range	20mV to 200mV and 150mV to 800mV
Field Integration	Local Co-Processor utilizing proprietary integration algorithms
Number of Input Channels	4 in total 3 dedicated and 1 spare
Communication	Packet data via RS232

### 3.5 Axis Articulated Robot



ALSAS-10U utilizes a six axis articulated robot, which is controlled using a Pentium based real-time movement controller. The movement kinematics engine utilizes proprietary (Thermo CRS) interpolation and extrapolation algorithms, which allow full freedom of movement for each of the six joints within the working envelope. Utilization of joint 6 allows for full probe rotation with a tolerance better than 0.05mm around the central axis.

Robot/Controller Manufacturer	Thermo CRS
Number of Axis	Six independently controlled axis
Positioning Repeatability	0.05mm
Controller Type	Single phase Pentium based C500C
Robot Reach	710mm
Communication	RS232 and LAN compatible

### 3.6 ALSAS Universal Workstation

ALSAS Universal workstation allows for repeatability and fast adaptability. It allows users to do calibration, testing and measurements using different types of phantoms with one set up, which significantly speeds up the measurement process.

### 3.7 Universal Device Positioner

The universal device positioner allows complete freedom of movement of the EUT. Developed to hold a EUT in a free-space scenario any additional loading attributable to the material used in the construction of the positioner has been eliminated. Repeatability has been enhanced through the linear scales which form the design used to indicate positioning for any given test scenario in all major axes. A 15° tilt indicator is included for the of aid cheek to tilt movements for head SAR analysis. Overall uncertainty for measurements have been reduced due to the design of the Universal device positioner, which allows positioning of a device in as near to a free-space scenario as possible, and by providing the means for complete repeatability.

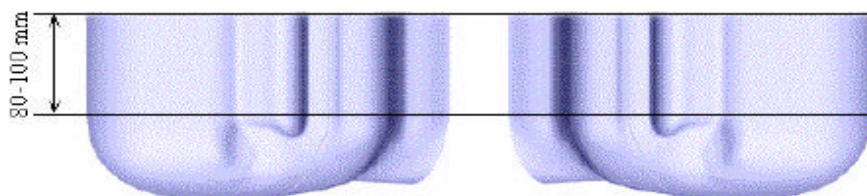


### 3.8 Phantom Types

The ALSAS-10U allows the integration of multiple phantom types. SAM Phantoms fully compliant with IEEE 1528, Universal Phantom, and Universal Flat.

#### APREL SAM Phantoms

The SAM phantoms developed using the IEEE SAM CAD file. They are fully compliant with the requirements for both IEEE 1528 and FCC Supplement C. Both the left and right SAM phantoms are interchangeable, transparent and include the IEEE 1528 grid with visible NF and MB lines.



#### 3.8.1 APREL Laboratories Universal Phantom

The Universal Phantom is used on the ALSAS-10U as a system validation phantom. The Universal Phantom has been fully validated both experimentally from 800MHz to 6GHz and numerically using XFDTD numerical software. The shell thickness is 2mm overall, with a 4mm spacer located at the NF/MB intersection providing an overall thickness of 6mm in line with the requirements of IEEE-1528.

The design allows for fast and accurate measurements, of handsets, by allowing the conservative SAR to be evaluated at on frequency for both left and right head experiments in one measurement.



## 4. Tissue Simulating Liquid

### 4.1 The composition of the tissue simulating liquid

INGREDIENT (% Weight)	835MHz Head	835MHz Body	1900MHz Head	1900MHz Body
Water	40.45	52.40	54.90	40.5
Salt	1.45	1.400	0.18	0.50
Sugar	57.60	45.00	0.00	58.0
HEC	0.40	1.00	0.00	0.50
Preventol	0.10	0.10	0.00	0.50
DGBE	0.00	0.00	44.92	0.00

INGREDIENT (% Weight)	2450MHz Head	2450MHz Body
Water	46.7	73.2
Salt	0.00	0.40
Sugar	0.00	0.00
HEC	0.00	0.00
Preventol	0.00	0.00
DGBE	53.3	26.76

INGREDIENT (% Weight)	5200MHz Head	5200MHz Body	5800MHz -Head	5800MHz -Body
Water	66.30	76.23	66.30	76.23
Salt	0.00	0.00	0.00	0.00
Sugar	57.60	0.00	57.60	0.00
HEC	0.00	0.00	0.00	0.00
Preventol	0.00	0.00	0.00	0.00
DGBE	5.27	1.83	5.27	1.83
Triton X-100	28.42	21.94	28.42	21.94

## 4.2 Tissue Calibration Result

The dielectric parameters of the liquids were verified prior to the SAR evaluation using Agilent Dielectric Probe Kit and Agilent E5071B Vector Network Analyzer

Head Tissue Simulant Measurement				
Frequency [MHz]	Description	Dielectric Parameters		Tissue Temp. [°C]
		$\epsilon_r$	$\sigma$ [s/m]	
835MHz	Reference result ± 5% window	41.5 39.42 to 43.57	0.9 0.85 to 0.94	N/A
	12-Feb-2007	41.97	0.87	21.9

Body Tissue Simulant Measurement				
Frequency [MHz]	Description/ Calibration date	Dielectric Parameters		Tissue Temp. [°C]
		$\epsilon_r$	$\sigma$ [s/m]	
835MHz	Reference result ± 5% window	55.2 52.44 to 57.96	0.97 0.92 to 1.02	N/A
	12-Feb-2007	55.27	0.98	21.9

Head Tissue Simulant Measurement				
Frequency [MHz]	Description	Dielectric Parameters		Tissue Temp. [°C]
		$\epsilon_r$	$\sigma$ [s/m]	
1900MHz	Reference result ± 5% window	40.0 38 to 42	1.4 1.33 to 1.47	N/A
	12-Feb-2007	41.29	1.42	21.9

Body Tissue Simulant Measurement				
Frequency [MHz]	Description/ Calibration date	Dielectric Parameters		Tissue Temp. [°C]
		$\epsilon_r$	$\sigma$ [s/m]	
1900MHz	Reference result ± 5% window	53.3 50.065 to 55.335	1.52 1.8525 to 2.0475	N/A
	12-Feb-2007	53.22	1.49	21.9

<b>Head Tissue Simulant Measurement</b>				
Frequency [MHz]	Description	Dielectric Parameters		Tissue Temp. [°C]
		$\epsilon_r$	$\sigma$ [s/m]	
2450MHz	Reference result ± 5% window	39.2 37.24 to 41.16	1.8 1.71 to 1.89	N/A
	25-Jan-2007	40.12	1.73	22.0

<b>Body Tissue Simulant Measurement</b>				
Frequency [MHz]	Description/ Calibration date	Dielectric Parameters		Tissue Temp. [°C]
		$\epsilon_r$	$\sigma$ [s/m]	
2450MHz	Reference result ± 5% window	52.7 50.065 to 55.335	1.95 1.8525 to 2.0475	N/A
	25-Jan-2007	51.28	1.98	21.6

<b>Head Tissue Simulant Measurement</b>				
Frequency [MHz]	Description	Dielectric Parameters		Tissue Temp. [°C]
		$\epsilon_r$	$\sigma$ [s/m]	
5200MHz	Reference result ± 5% window	36.0 34.2 to 37.8	4.7 4.465 to 4.935	N/A
	29-Jan-2007	35.12	4.68	22.3

<b>Body Tissue Simulant Measurement</b>				
Frequency [MHz]	Description/ Calibration date	Dielectric Parameters		Tissue Temp. [°C]
		$\epsilon_r$	$\sigma$ [s/m]	
5200MHz	Reference result ± 5% window	49.02 46.569 to 51.471	5.299 5.034 to 5.564	N/A
	29-Jan-2007	48.54	5.19	22.0



<b>Head Tissue Simulant Measurement</b>				
Frequency [MHz]	Description	Dielectric Parameters		Tissue Temp. [°C]
		$\epsilon_r$	$\sigma$ [s/m]	
5800MHz	Reference result ± 5% window	35.3 34.2 to 37.8	5.27 5.006 to 5.533	N/A
	29-Jan-2007	35.80	5.43	22.3

<b>Body Tissue Simulant Measurement</b>				
Frequency [MHz]	Description/ Calibration date	Dielectric Parameters		Tissue Temp. [°C]
		$\epsilon_r$	$\sigma$ [s/m]	
5800MHz	Reference result ± 5% window	48.2 45.79 to 50.61	6.0 5.7 to 6.3	N/A
	29-Jan-2007	47.55	5.88	22.0

### 4.3 Tissue Dielectric Parameters for Head and Body Phantoms

The head tissue dielectric parameters recommended by the IEEE SCC-34/SC-2 in P1528 have been incorporated in the following table. These head parameters are derived from planar layer models simulating the highest expected SAR for the dielectric properties and tissue thickness variations in a human head. Other head and body tissue parameters that have not been specified in P1528 are derived from the tissue dielectric parameters computed from the 4-Cole-Cole equations described in Reference [12] and extrapolated according to the head parameters specified in P1528.

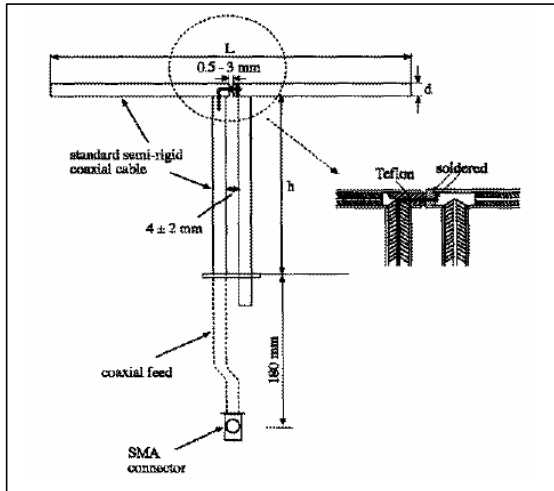
Target Frequency (MHz)	Head		Body	
	$\epsilon_r$	$\sigma$ (S/m)	$\epsilon_r$	$\sigma$ (S/m)
150	52.3	0.76	61.9	0.80
300	45.3	0.87	58.2	0.92
450	43.5	0.87	56.7	0.94
835	41.5	0.90	55.2	0.97
900	41.5	0.97	55.0	1.05
915	41.5	0.98	55.0	1.06
1450	40.5	1.20	54.0	1.30
1610	40.3	1.29	53.8	1.40
1800 – 2000	40.0	1.40	53.3	1.52
2450	39.2	1.80	52.7	1.95
3000	38.5	2.40	52.0	2.73
5800	35.3	5.27	48.2	6.00

( $\epsilon_r$  = relative permittivity,  $\sigma$  = conductivity and  $\rho = 1000 \text{ kg/m}^3$ )

## 5. SAR Measurement Procedure

### 5.1 SAR System Validation

#### 5.1.1 Validation Dipoles



The dipoles used is based on the IEEE-1528 standard, and is complied with mechanical and electrical specifications in line with the requirements of both IEEE and FCC Supplement C. the table below provides details for the mechanical and electrical specifications for the dipoles.

*	Frequency	L (mm)	h (mm)	d (mm)
V	835MHz	161.0	89.8	3.6
	900MHz	149.0	83.3	3.6
	1800MHz	72.0	41.7	3.6
V	1900MHz	68.0	39.5	3.6
V	2450MHz	51.5	30.4	3.6
V	5200MHz	23.6	14.0	3.6
V	5800MHz	21.6	12.6	3.6

\*Note: "V" indicates Frequency used of EUT

### 5.1.2 Validation Result

#### System Performance Check at 835MHz

##### Validation Kit: ASL-D-835-S-2

Frequency [MHz]	Description	SAR [w/kg] 1g	SAR [w/kg] 10g	Tissue Temp. [°C]
835 MHz	Reference result ± 5% window	9.5 8.55 to 10.45	6.2 5.58 to 6.84	N/A
	02/12/2007	9.459	6.101	21.9

Note: All SAR values are 1W forward power.

#### System Performance Check at 1900MHz

##### Validation Kit: ASL-D-1900-S-2

Frequency [MHz]	Description	SAR [w/kg] 1g	SAR [w/kg] 10g	Tissue Temp. [°C]
1900 MHz	Reference result ± 5% window	39.7 35.73 to 43.67	20.5 18.45 to 22.55	N/A
	02/12/2007	39.881	19.917	21.9

Note: All SAR values are 1W forward power.

**System Performance Check at 2450MHz**

**Validation Kit: ASL-D-2450-S-2**

Frequency [MHz]	Description	SAR [w/kg] 1g	SAR [w/kg] 10g	Tissue Temp. [°C]
2450 MHz	Reference result ± 5% window	52.4 49.78 to 55.02	24 22.8 to 25.2	N/A
	01/29/2007	53.697	23.995	22.00

Note: All SAR values are 1W forward power.

**System Performance Check at 5200MHz**

**Validation Kit: ASL-D-5200-S-2**

Frequency [MHz]	Description	SAR [w/kg] 1g	SAR [w/kg] 10g	Tissue Temp. [°C]
5200 MHz	Reference result ± 10% window	62.9 56.61 to 69.19	17.9 16.11 to 19.69	N/A
	01/29/2007	61.924	18.927	22.3

Note: All SAR values are 1W forward power.

**System Performance Check at 5800MHz**

**Validation Kit: ASL-D-5800-S-2**

Frequency [MHz]	Description	SAR [w/kg] 1g	SAR [w/kg] 10g	Tissue Temp. [°C]
5800 MHz	Reference result ± 10% window	58.3 52.47 to 64.13	18 16.2 to 19.8	N/A
	01/29/2007	57.710	18.255	22.3

Note: All SAR values are 1W forward power.

## 5.2 Arrangement Assessment Setup

### 5.2.1 Test Positions of Device Relative to Head

This specifies exactly two test positions for the handset against the head phantom, the “cheek” position and the “tilted” position. The handset should be tested in both positions on the left and right sides of the SAM phantom. If the handset construction is such that it cannot be positioned using the handset positioning procedures described in 4.2.2.1 and 4.2.2.2 to represent normal use conditions (e.g., asymmetric handset), alternative alignment procedures should be considered with details provided in the test report.

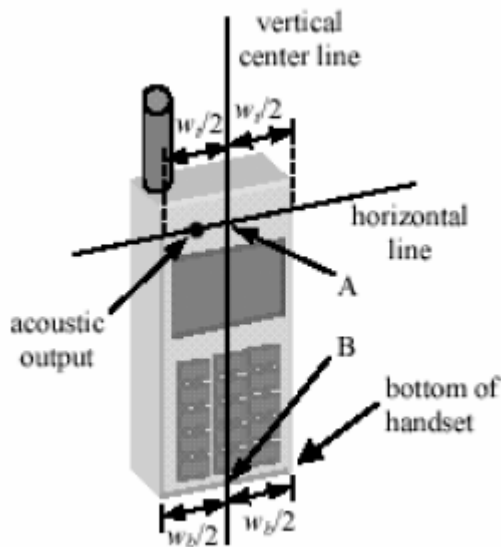


Figure 4.1a Fixed Case

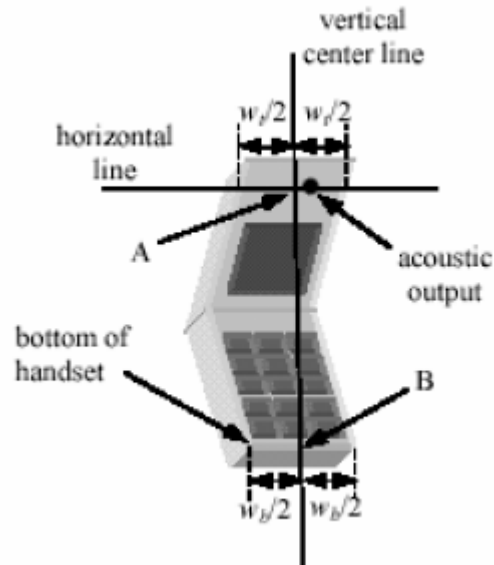


Figure 4.1b Clam Shell

### 5.2.2 Definition of the “Cheek” Position

The “cheek” position is defined as follows:

- Ready the handset for talk operation, if necessary. For example, for handsets with a cover piece, open the cover. (If the handset can also be used with the cover closed both configurations must be tested.)
- Define two imaginary lines on the handset: the vertical centerline and the horizontal line. The vertical centerline passes through two points on the front side of the handset: the midpoint of the width  $w_t$  of the handset at the level of the acoustic output (point A on Figures 4.1a and 4.1b), and the midpoint of the width  $w_b$  of the bottom of the handset (point B). The horizontal line is perpendicular to the vertical centerline and passes through the center of the acoustic output (see Figure 4.1a). The two lines intersect at point A. Note that for many handsets, point A coincides with the center of the acoustic output. However, the acoustic output may be located elsewhere on the horizontal line. Also note that the vertical centerline is not necessarily parallel to the front face of the handset (see Figure 4.1b), especially for clamshell handsets, handsets with flip pieces, and other irregularly-shaped handsets.

- c. Position the handset close to the surface of the phantom such that point A is on the (virtual) extension of the line passing through points RE and LE on the phantom (see Figure 4.2), such that the plane defined by the vertical center line and the horizontal line of the handset is approximately parallel to the sagittal plane of the phantom.
- d. Translate the handset towards the phantom along the line passing through RE and LE until the handset touches the pinna.
- e. While maintaining the handset in this plane, rotate it around the LE-RE line until the vertical centerline is in the plane normal to MB-NF including the line MB (called the reference plane).
- f. Rotate the handset around the vertical centerline until the handset (horizontal line) is symmetrical with respect to the line NF.
- g. While maintaining the vertical centerline in the reference plane, keeping point A on the line passing through RE and LE and maintaining the handset contact with the pinna, rotate the handset about the line NF until any point on the handset is in contact with a phantom point below the pinna (cheek). See Figure 4.2 the physical angles of rotation should be noted.

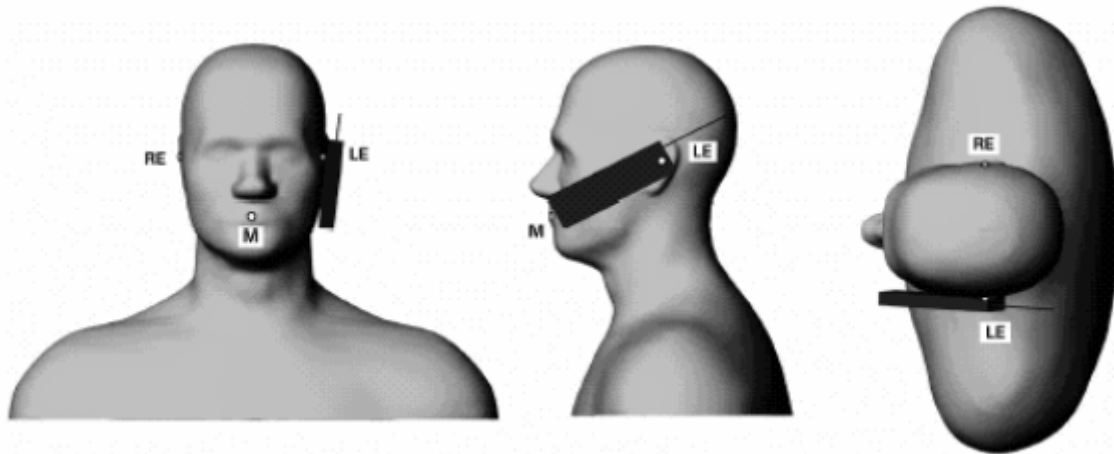


Figure 4.2 – Phone position 1, “cheek” or “touch” position.

### 5.2.3 Definition of the “Tilted” Position

The “tilted” position is defined as follows:

- a. Repeat steps (a) – (g) of 4.2.1.1 to place the device in the “cheek position.”
- b. While maintaining the orientation of the handset move the handset away from the pinna along the line passing through RE and LE in order to enable a rotation of the handset by 15 degrees.
- c. Rotate the handset around the horizontal line by 15 degrees.
- d. While maintaining the orientation of the handset, move the handset towards the phantom on a line passing through RE and LE until any part of the handset touches the ear. The tilted position is obtained when the contact is on the pinna. If the contact is at any location other than the pinna (e.g., the antenna with the back of the phantom head), the angle of the handset should be reduced. In this case, the tilted position is obtained if any part of the handset is in contact with the pinna as well as a second part of the handset is contact with the phantom (e.g., the antenna with the back of the head).

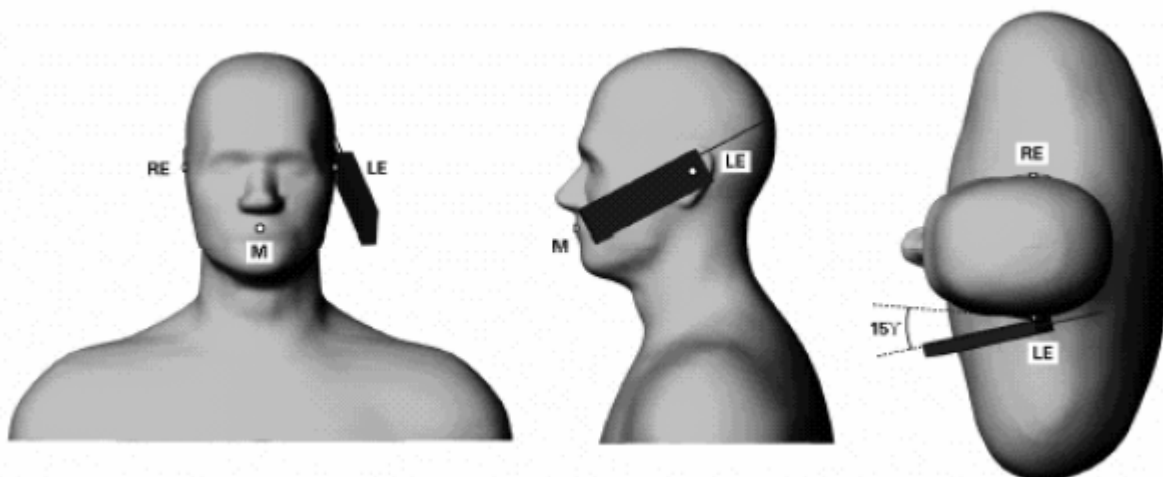


Figure 4.3 – Phone position 2, “tilted” position.

### 5.2.4 Test Positions for body-worn

Body-worn operating configurations should be tested with the belt-clips and holsters attached to the device and positioned against a flat phantom in normal use configurations. A separation distance of 1.5 cm between the back of the device and a flat phantom is recommended for testing body-worn SAR compliance under such circumstances. Other separation distance may be use, but not exceed 2.5 cm.



### 5.3 SAR Measurement Procedure

The ALSAS-10U calculates SAR using the following equation,

$$SAR = \frac{\sigma |E|^2}{\rho}$$

$\sigma$ : represents the simulated tissue conductivity

$\rho$ : represents the tissue density

The EUT is set to transmit at the required power in line with product specification, at each frequency relating to the LOW, MID, and HIGH channel settings.

Pre-scans are made on the device to establish the location for the transmitting antenna, using a large area scan in either air or tissue simulation fluid.

The EUT is placed against the Universal Phantom where the maximum area scan dimensions are larger than the physical size of the resonating antenna. When the scan size is not large enough to cover the peak SAR distribution, it is modified by either extending the area scan size in both the X and Y directions, or the device is shifted within the predefined area.

The area scan is then run to establish the peak SAR location (interpolated resolution set at 1mm<sup>2</sup>) which is then used to orient the center of the zoom scan. The zoom scan is then executed and the 1g and 10g averages are derived from the zoom scan volume (interpolated resolution set at 1mm<sup>3</sup>).

## 6. SAR Exposure Limits

SAR assessments have been made in line with the requirements of IEEE-1528, FCC Supplement C, and comply with ANSI/IEEE C95.1-1992 “Uncontrolled Environments” limits. These limits apply to a location which is deemed as “Uncontrolled Environment” which can be described as a situation where the general public may be exposed to an RF source with no prior knowledge or control over their exposure.

Limits for General Population/Uncontrolled Exposure (W/kg)

Type Exposure	Uncontrolled Environment Limit
Spatial Peak SAR (1g cube tissue for brain or body)	1.60 W/kg
Spatial Average SAR (whole body)	0.08 W/kg
Spatial Peak SAR (10g for hands, feet, ankles and wrist)	4.00 W/kg

## 7. Test Equipment List

Instrument	Manufacturer	Model No.	Serial No.	Last Calibration
Vector Network Analyzer	Agilent	E5071B	MY42402726	Jul. 2006
Dielectric Probe Kit	Agilent	85070E	MY44300124	N/A
Signal Generator	Anritsu	MG3692A	020311	Feb. 2006
Power Meter	Agilent	438A	3513U06187	Feb. 2006
Power Sensor	Agilent	84815A	3318A01828	Feb. 2006
Data Acquisition Package	Aprel	ALS-DAQ-PAQ-2	110-00203	Jun. 2006
Aprel Laboratories Probe	Aprel	ALS-E020	266	Jun. 2006
Aprel Reference Dipole 835MHz	Aprel	ALS-D-835-S-2	180-00553	Mar. 2005
Aprel Reference Dipole 1900MHz	Aprel	ALS-D-1900-S-2	210-00703	Mar. 2005
Aprel Reference Dipole 2450MHz	Aprel	ALS-D-2450-S-2	220-00753	Mar. 2005
Aprel Reference Dipole 5200MHz	Aprel	ALS-D-5200-S-2	230-00802	Mar. 2005
Aprel Reference Dipole 5800MHz	Aprel	ALS-D-5800-S-2	240-00852	Mar. 2005
Boundary Detection SensorSystem	Aprel	ALS-PMDPS-2	120-00253	N/A
Universal Work Station	Aprel	ALS-UWS	100-00153	N/A
Device Holder 2.0	Aprel	ALS-H-E-SET-2	170-00503	N/A
Left Ear SAM Phantom	Aprel	ALS-P-SAM-L	130-00305	N/A
Right Ear SAM Phantom	Aprel	ALS-P-SAM-R	140-00355	N/A
Universal Phantom	Aprel	ALS-P-UP-1	150-00405	N/A
Aprel Dipole Spacer	Aprel	ALS-DS-U	250-00903	N/A
SAR Software	Aprel	ALSAS-10U Ver.2.3.2	B0D5F-112FE	N/A
CRS C500C Controller	Thermo	ALS-C500	RCF0440278	N/A
CRF F3 Robot	Thermo	ALS-F3	RAF0440252	N/A
Power Amplifier	Mini-Circuit	ZVE-8G	D030305	N/A
Vector Network Analyzer	Agilent	E5071B	MY42402726	Jul. 2006
Dielectric Probe Kit	Agilent	85070E	MY44300124	N/A
Signal Generator	Anritsu	MG3692A	020311	Feb. 2006
Power Meter	Agilent	438A	3513U06187	Feb. 2006
Power Sensor	Agilent	84815A	3318A01828	Feb. 2006

Note: All equipment upon which need to be calibrated are with calibration period of 1 year except Reference Dipole is to be calibrated every two years. .

## 8. Measurement Uncertainty

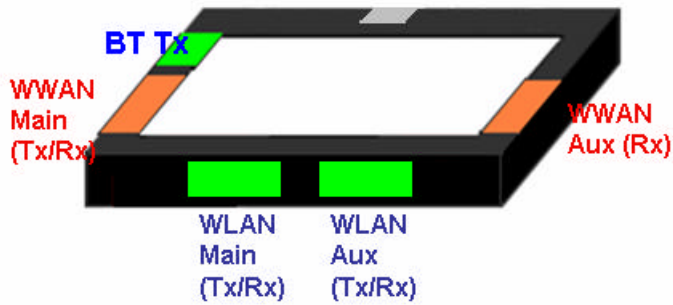
### Exposure Assessment Measurement Uncertainty

Source of Uncertainty	Tolerance Value	Probability Distribution	Divisor	$c_i^1$ (1g)	$c_i^1$ (10g)	Standard Uncertainty (1-g) %	Standard Uncertainty (10g) %
Measurement System							
Probe Calibration	3.5	normal	1	1	1	3.5	3.5
Axial Isotropy	3.7	rectangular	$\sqrt{3}$	$(1-cp)^{1/2}$	$(1-cp)^{1/2}$	1.5	1.5
Hemispherical Isotropy	10.9	rectangular	$\sqrt{3}$	vcp	vcp	4.4	4.4
Boundary Effect	1.0	rectangular	$\sqrt{3}$	1	1	0.6	0.6
Linearity	4.7	rectangular	$\sqrt{3}$	1	1	2.7	2.7
Detection Limit	1.0	rectangular	$\sqrt{3}$	1	1	0.6	0.6
Readout Electronics	1.0	normal	1	1	1	1.0	1.0
Response Time	0.8	rectangular	$\sqrt{3}$	1	1	0.5	0.5
Integration Time	1.7	rectangular	$\sqrt{3}$	1	1	1.0	1.0
RF Ambient Condition	3.0	rectangular	$\sqrt{3}$	1	1	1.7	1.7
Probe Positioner Mech.	0.4	rectangular	$\sqrt{3}$	1	1	0.2	0.2
Restriction							
Probe Positioning with respect to Phantom Shell	2.9	rectangular	$\sqrt{3}$	1	1	1.7	1.7
Extrapolation and Integration	3.7	rectangular	$\sqrt{3}$	1	1	2.1	2.1
Test Sample Positioning	4.0	normal	1	1	1	4.0	4.0
Device Holder Uncertainty	2.0	normal	1	1	1	2.0	2.0
Drift of Output Power	1.6	rectangular	$\sqrt{3}$	1	1	0.9	0.9
Phantom and Setup							
Phantom Uncertainty (shape & thickness tolerance)	3.4	rectangular	$\sqrt{3}$	1	1	2.0	2.0
Liquid Conductivity (target)	5.0	rectangular	$\sqrt{3}$	0.7	0.5	2.0	1.4
Liquid Conductivity(meas.)	4.6	normal	1	0.7	0.5	3.2	2.3
Liquid Permittivity(target)	5.0	rectangular	$\sqrt{3}$	0.6	0.5	1.7	1.4
Liquid Permittivity(meas.)	2.3	normal	1	0.6	0.5	1.4	1.1
Combined Uncertainty		RSS				9.9	9.5
Combined Uncertainty (coverage factor=2)		Normal(k=2)				19.8	18.9

## 9. EUT test Position

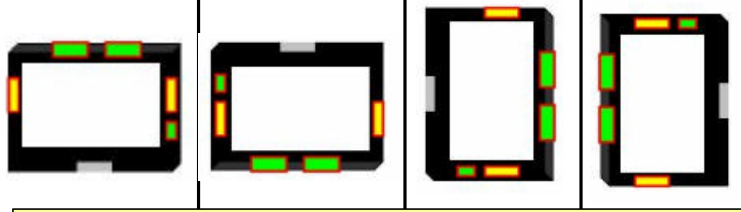
### 9.1. EUT Test Position : Laptop Mode

The EUT is put on the laptop of user. The TX Antennas WLAN\_Main , WLAN\_Aux and WWAN\_Main are enable.



### 9.2. EUT Test Position: Tablet Mode

In order to meet SAR requirement, the WWAN TX antennas located in BODY SIDE will be disabled.

Antenna	Laptop Mode	Tablet Mode					802.11 a/b/g	WWAN
		Mode1	Mode2	Mode3	Mode4	Mode5		
WLAN	Main	Enable	Enable	Enable	Enable	Enable	Tx/Rx	NA
	Aux	Enable	Enable	Enable	Enable	Enable	Tx/RX	NA
WWAN	Main	Enable	Enable	Enable	Disable	Enable	NA	Tx/Rx
	Aux	Enable	Enable	Enable	Disable	Enable	NA	Rx
Screen orientation vs. Body side								
		Body Side						

\*Note: System does not function for the mode4, when WWAN is enabled

## 10. Test Result Summary

### 10.1 WLAN + WWAN + Bluetooth - Laptop mode

SAR Measurement						
Ambient Temperature (°C) : 22.0 ±1				Relative Humidity (%) : 46		
Liquid Temperature (°C) : 21.9±1				Depth of Liquid (cm) : >15		
EUT Position (See Note 1)	Transmitting Antenna (Bluetooth always on)	Frequency (MHz)		WLAN SAR 1g (W/Kg)	WWAN SAR 1g (W/Kg)	SUM SAR 1g (W/Kg) (Note 2)
		WLAN	WWAN			
802.11b + EVDO + BT						
Mode1	WLAN: Main, WWAN:Main	2437	836.4	0.130	0.219	<b>0.349</b>
Mode1	WLAN: Aux, WWAN:Main	2437	836.4	0.059	0.219	0.278
Mode1	WLAN: Main, WWAN:Main	2437	1851.2	0.130	0.168	<b>0.298</b>
Mode1	WLAN: Aux, WWAN:Main	2437	1851.2	0.059	0.168	0.227
802.11g + EVDO + BT						
Mode1	WLAN: Main, WWAN:Main	2437	836.4	0.487	0.219	<b>0.706</b>
Mode1	WLAN: Aux, WWAN:Main	2437	836.4	0.356	0.219	0.575
Mode1	WLAN: Main, WWAN:Main	2437	1851.2	0.487	0.168	<b>0.655</b>
Mode1	WLAN: Aux, WWAN:Main	2437	1851.2	0.356	0.168	0.524
802.11a (5150~5350MHz) + EVDO + BT						
Mode1	WLAN: Main, WWAN:Main	5320	836.4	0.142	0.219	<b>0.361</b>
Mode1	WLAN: Aux, WWAN:Main	5260	836.4	0.096	0.219	0.315
Mode1	WLAN: Main, WWAN:Main	5320	1851.2	0.142	0.168	<b>0.310</b>
Mode1	WLAN: Aux, WWAN:Main	5260	1851.2	0.096	0.168	0.264
802.11a (5725~5825MHz) + EVDO + BT						
Mode1	WLAN: Main, WWAN:Main	5805	836.4	0.217	0.219	<b>0.436</b>
Mode1	WLAN: Aux, WWAN:Main	5805	836.4	0.182	0.219	0.401
Mode1	WLAN: Main, WWAN:Main	5805	1851.2	0.217	0.168	<b>0.385</b>
Mode1	WLAN: Aux, WWAN:Main	5805	1851.2	0.182	0.168	0.350

Note 1: Refer to paragraphs 9.1 and 9.2 for the detailed definition of EUT Position

Note 2: "SUM SAR 1g" is the SUM of WLAN SAR data and WWAN SAR data. The WLAN SAR data and WWAN SAR data was tested separately using appropriate frequency setting.

## 10.2 WLAN + WWAN + Bluetooth - Tablet mode

SAR Measurement						
Ambient Temperature (°C) : 22.0 ±1				Relative Humidity (%) : 46		
Liquid Temperature (°C) : 21.9 ±1				Depth of Liquid (cm) : >15		
EUT Position (See Note 1)	Transmitting Antenna (Bluetooth always on)	Frequency (MHz)		WLAN SAR 1g (W/Kg)	WWAN SAR 1g (W/Kg)	SUM SAR 1g (W/Kg) (Note 2)
		WLAN	WWAN			
802.11b + EVDO(835MHz) + BT						
Mode2	WLAN: Main, WWAN:Main	2437	836.4	0.130	0.023	<b>0.153</b>
Mode3	WLAN: Main, WWAN:Main	2437	836.4	0.130	0.016	0.146
Mode4	WLAN: Main, WWAN:disable	2437	836.4	0.130	N/A	0.130
Mode5	WLAN: Main, WWAN:Aux	2437	836.4	0.130	0.007	0.137
Mode2	WLAN: Main, WWAN:Main	2437	1851.2	0.130	0.347	<b>0.477</b>
Mode3	WLAN: Main, WWAN:Main	2437	1880	0.130	0.186	0.316
Mode4	WLAN: Main, WWAN:disable	2437	1880	0.130	N/A	0.130
Mode5	WLAN: Main, WWAN:Aux	2437	1880	0.130	0.018	0.148
802.11g + EVDO + BT						
Mode2	WLAN: Main, WWAN:Main	2437	836.4	0.487	0.023	<b>0.510</b>
Mode3	WLAN: Main, WWAN:Main	2437	836.4	0.487	0.016	0.503
Mode4	WLAN: Main, WWAN:disable	2437	836.4	0.487	N/A	0.487
Mode5	WLAN: Main, WWAN:Aux	2437	836.4	0.487	0.007	0.494
Mode2	WLAN: Main, WWAN:Main	2437	1851.2	0.487	0.347	<b>0.834</b>
Mode3	WLAN: Main, WWAN:Main	2437	1880	0.487	0.186	0.673
Mode4	WLAN: Main, WWAN:disable	2437	1880	0.487	N/A	0.487
Mode5	WLAN: Main, WWAN:Aux	2437	1880	0.487	0.018	0.505
802.11a (5150~5350MHz) + EVDO + BT						
Mode2	WLAN: Main, WWAN:Main	5320	836.4	0.142	0.023	<b>0.165</b>
Mode3	WLAN: Main, WWAN:Main	5320	836.4	0.142	0.016	0.158
Mode4	WLAN: Main, WWAN:disable	5320	836.4	0.142	N/A	0.142
Mode5	WLAN: Main, WWAN:Aux	5320	836.4	0.142	0.007	0.149
Mode2	WLAN: Main, WWAN:Main	5320	1851.2	0.142	0.347	<b>0.489</b>
Mode3	WLAN: Main, WWAN:Main	5320	1880	0.142	0.186	0.328
Mode4	WLAN: Main, WWAN:disable	5320	1880	0.142	N/A	0.142
Mode5	WLAN: Main, WWAN:Aux	5320	1880	0.142	0.018	0.160
802.11a (5725~5825MHz) + EVDO + BT						
Mode2	WLAN: Main, WWAN:Main	5805	836.4	0.217	0.023	<b>0.240</b>
Mode3	WLAN: Main, WWAN:Main	5805	836.4	0.217	0.016	0.233
Mode4	WLAN: Main, WWAN:disable	5805	836.4	0.217	N/A	0.217
Mode5	WLAN: Main, WWAN:Aux	5805	836.4	0.217	0.007	0.224
Mode2	WLAN: Main, WWAN:Main	5805	1851.2	0.217	0.347	<b>0.564</b>
Mode3	WLAN: Main, WWAN:Main	5805	1880	0.217	0.186	0.403
Mode4	WLAN: Main, WWAN:disable	5805	1880	0.217	N/A	0.217
Mode5	WLAN: Main, WWAN:Aux	5805	1880	0.217	0.018	0.235

Note 1: Refer to paragraphs 9.1 and 9.2 for the detailed definition of EUT Position

Note 2: "SUM SAR 1g" is the SUM of WLAN SAR data and WWAN SAR data. The WLAN SAR data and WWAN SAR data was tested separately using appropriate frequency setting.

### 10.3 EVDO835 Test Result

SAR Measurement						
Ambient Temperature (°C) :22				Relative Humidity (%): 46		
Liquid Temperature (°C) : 21.9				Depth of Liquid (cm):>15		
Test Mode : EVDO 835MHz + BT						
Test Position of EUT (See Note1)	Antenna Type	Frequency		Conducted power (dBm)	SAR 1g (W/Kg)	Limit (W/Kg)
		Channel	MHz			
Laptop (M1)	Internal	Low	824.73	23.56	0.098	1.6
Laptop (M1)	Internal	Mid	836.4	23.79	0.219	1.6
Laptop (M1)	Internal	High	848.19	24.21	0.04	1.6
Bottom (M2)	Internal	Low	824.73	23.56	--	1.6
Bottom (M2)	Internal	Mid	836.4	23.79	0.023	1.6
Bottom (M2)	Internal	High	848.19	24.21	--	1.6
Top (M3)	Internal	Low	824.73	23.56	--	1.6
Top (M3)	Internal	Mid	836.4	23.79	0.016	1.6
Top (M3)	Internal	High	848.19	24.21	--	1.6
Side-L (M5)	Internal	Low	824.73	23.56	--	1.6
Side-L (M5)	Internal	Mid	836.4	23.79	0.007	1.6
Side-L (M5)	Internal	High	848.19	24.21	--	1.6

Note: The SAR measured at the middle channel for this configuration is at least 3 dB lower than SAR limit, testing at the high and low channels is option.

Note 1: Refer to paragraphs 9.1 and 9.2 for the detailed definition of EUT Position

### 10.4 EVDO1900 Test Result

SAR Measurement						
Ambient Temperature (°C) : 22				Relative Humidity (%):46		
Liquid Temperature (°C) : 21.9				Depth of Liquid (cm):>15		
Test Mode : EVDO 1900MHz + BT						
Test Position of EUT (See Note1)	Antenna Type	Frequency		Conducted power (dBm)	SAR 1g (W/Kg)	Limit (W/Kg)
		Channel	MHz			
Laptop (M1)	Internal	Low	1851.25	24.94	0.168	1.6
Laptop (M1)	Internal	Mid	1880	24.88	0.135	1.6
Laptop (M1)	Internal	High	1908.75	24.67	0.144	1.6
Bottom (M2)	Internal	Low	1851.25	24.94	0.347	1.6
Bottom (M2)	Internal	Mid	1880	24.88	0.324	1.6
Bottom (M2)	Internal	High	1908.75	24.67	0.108	1.6
Top (M3)	Internal	Low	1851.25	24.94	--	1.6
Top (M3)	Internal	Mid	1880	24.88	0.186	1.6
Top (M3)	Internal	High	1908.75	24.67	--	1.6
Side-L (M5)	Internal	Low	1851.25	24.94	--	1.6
Side-L (M5)	Internal	Mid	1880	24.88	0.018	1.6
Side-L (M5)	Internal	High	1908.75	24.67	--	1.6

Note: The SAR measured at the middle channel for this configuration is at least 3 dB lower than SAR limit, testing at the high and low channels is option.

Note 1: Refer to paragraphs 9.1 and 9.2 for the detailed definition of EUT Position



### 10.5 802.11b Test Result

SAR Measurement						
Ambient Temperature (°C) : 21.8 ±1				Relative Humidity (%) : 43		
Liquid Temperature (°C) : 21.6±1				Depth of Liquid (cm) : >15		
Test Mode : 802.11b Main Antenna +BT						
Test Position of EUT	Antenna Type	Frequency		Conducted power (dBm)	SAR 1g (W/Kg)	Limit (W/Kg)
		Channel	MHz			
Back	Internal	Low	2412	13.91	0.065	1.6
Back	Internal	Mid	2437	14.70	<b>0.130</b>	1.6
Back	Internal	High	2462	14.95	0.068	1.6
Top	Internal	Low	2412	13.91	--	1.6
Top	Internal	Mid	2437	14.70	0.043	1.6
Top	Internal	High	2462	14.95	--	1.6
Front	Internal	Low	2412	13.91	--	1.6
Front	Internal	Mid	2437	14.70	0.040	1.6
Front	Internal	High	2462	14.95	--	1.6
Test Mode : 802.11b Aux. Antenna +BT						
Back	Internal	Low	2412	13.91	--	1.6
Back	Internal	Mid	2437	14.70	0.059	1.6
Back	Internal	High	2462	14.95	--	1.6

Note: The SAR measured at the middle channel for this configuration is at least 3 dB lower than SAR limit, testing at the high and low channels is option.

### 10.6 802.11g Test Result

SAR Measurement						
Ambient Temperature (°C) : 21.8 ±1				Relative Humidity (%) : 43		
Liquid Temperature (°C) : 21.6±1				Depth of Liquid (cm) : >15		
Test Mode : 802.11g Main Antenna +BT						
Test Position of EUT	Antenna Type	Frequency		Conducted power (dBm)	SAR 1g (W/Kg)	Limit (W/Kg)
		Channel	MHz			
Back	Internal	Low	2412	18.42	0.339	1.6
Back	Internal	Mid	2437	18.44	<b>0.487</b>	1.6
Back	Internal	High	2462	18.57	0.298	1.6
Top	Internal	Low	2412	18.42	--	1.6
Top	Internal	Mid	2437	18.44	0.150	1.6
Top	Internal	High	2462	18.57	--	1.6
Front	Internal	Low	2412	18.42	--	1.6
Front	Internal	Mid	2437	18.44	0.192	1.6
Front	Internal	High	2462	18.57	--	1.6
Test Mode : 802.11g Aux. Antenna +BT						
Back	Internal	Low	2412	18.42	--	1.6
Back	Internal	Mid	2437	18.44	0.356	1.6
Back	Internal	High	2462	18.57	--	1.6

Note: The SAR measured at the middle channel for this configuration is at least 3 dB lower than SAR limit, testing at the high and low channels is option.

### 10.7 802.11a (5150MHz ~ 5350MHz) Test Result

SAR Measurement						
Ambient Temperature (°C) : 22.3 ±1				Relative Humidity (%) : 45		
Liquid Temperature (°C) : 22.0±1				Depth of Liquid (cm) : >15		
Test Mode : 802.11b Main Antenna +BT						
Test Position of EUT	Antenna Type	Frequency		Conducted power (dBm)	SAR 1g (W/Kg)	Limit (W/Kg)
		Channel	MHz			
Back	Internal	Low	5180	8.32	0.128	1.6
Back	Internal	High	5240	10.86	0.069	1.6
Back	Internal	Low	5260	10.41	0.101	1.6
Back	Internal	High	5320	9.58	<b>0.142</b>	1.6
Top	Internal	Low	5180	8.32	--	1.6
Top	Internal	High	5240	10.86	0.080	1.6
Top	Internal	Low	5260	10.41	0.054	1.6
Top	Internal	High	5320	9.58	--	1.6
Front	Internal	Low	5180	8.32	--	1.6
Front	Internal	High	5240	10.86	0.073	1.6
Front	Internal	Low	5260	10.41	0.064	1.6
Front	Internal	High	5320	9.58	--	1.6
Test Mode : 802.11b Aux. Antenna +BT						
Back	Internal	Low	5180	8.32	--	1.6
Back	Internal	High	5240	10.86	0.057	1.6
Back	Internal	Low	5260	10.41	0.096	1.6
Back	Internal	High	5320	9.58	--	1.6

Note: The SAR measured at the middle channel for this configuration is at least 3 dB lower than SAR limit, testing at the high and low channels is option.

### 10.8 802.11a (5725MHz ~5825MHz) Test Result

SAR Measurement						
Ambient Temperature (°C) : 22.3 ±1				Relative Humidity (%) : 45		
Liquid Temperature (°C) : 22.0±1				Depth of Liquid (cm) : >15		
Test Mode : 802.11b Main Antenna +BT						
Test Position of EUT	Antenna Type	Frequency		Conducted power (dBm)	SAR 1g (W/Kg)	Limit (W/Kg)
		Channel	MHz			
Back	Internal	Low	5745	14.05	0.207	1.6
Back	Internal	Mid	5785	14.36	0.139	1.6
Back	Internal	High	5805	14.45	<b>0.217</b>	1.6
Top	Internal	Low	5745	14.05	--	1.6
Top	Internal	Mid	5785	14.36	0.103	1.6
Top	Internal	High	5805	14.45	--	1.6
Front	Internal	Low	5745	14.05	--	1.6
Front	Internal	Mid	5785	14.36	0.114	1.6
Front	Internal	High	5805	14.45	--	1.6
Test Mode : 802.11b Aux. Antenna +BT						
Back	Internal	Low	5745	14.05	--	1.6
Back	Internal	Mid	5785	14.36	--	1.6
Back	Internal	High	5805	14.45	0.182	1.6

Note: The SAR measured at the middle channel for this configuration is at least 3 dB lower than SAR limit, testing at the high and low channels is option.

- 11. Appendix A: Photographs of Test Setup**
- 12. Appendix B: Photographs of EUT**
- 13. Appendix C: SAR System Validation Data**
- 14. Appendix D: SAR measurement Data**
- 15. Appendix E: Probe calibration data**
- 16. Appendix F: Dipole calibration data**