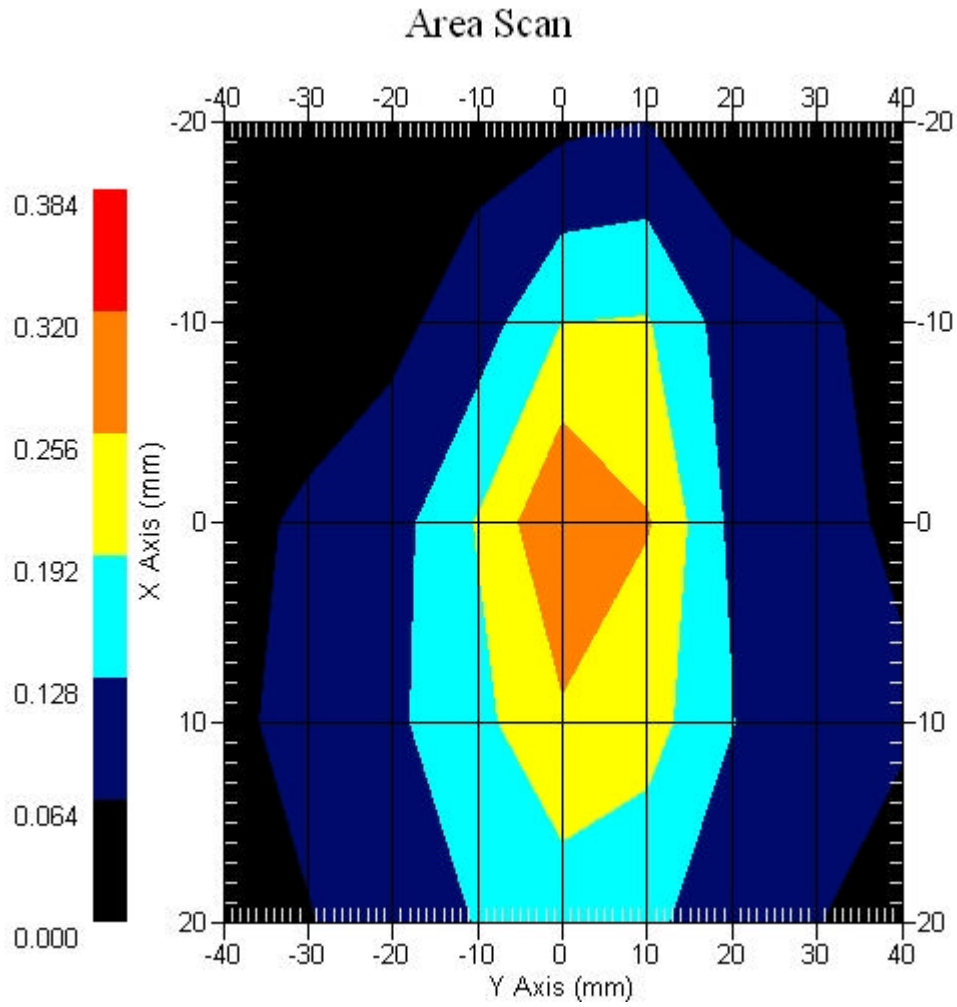


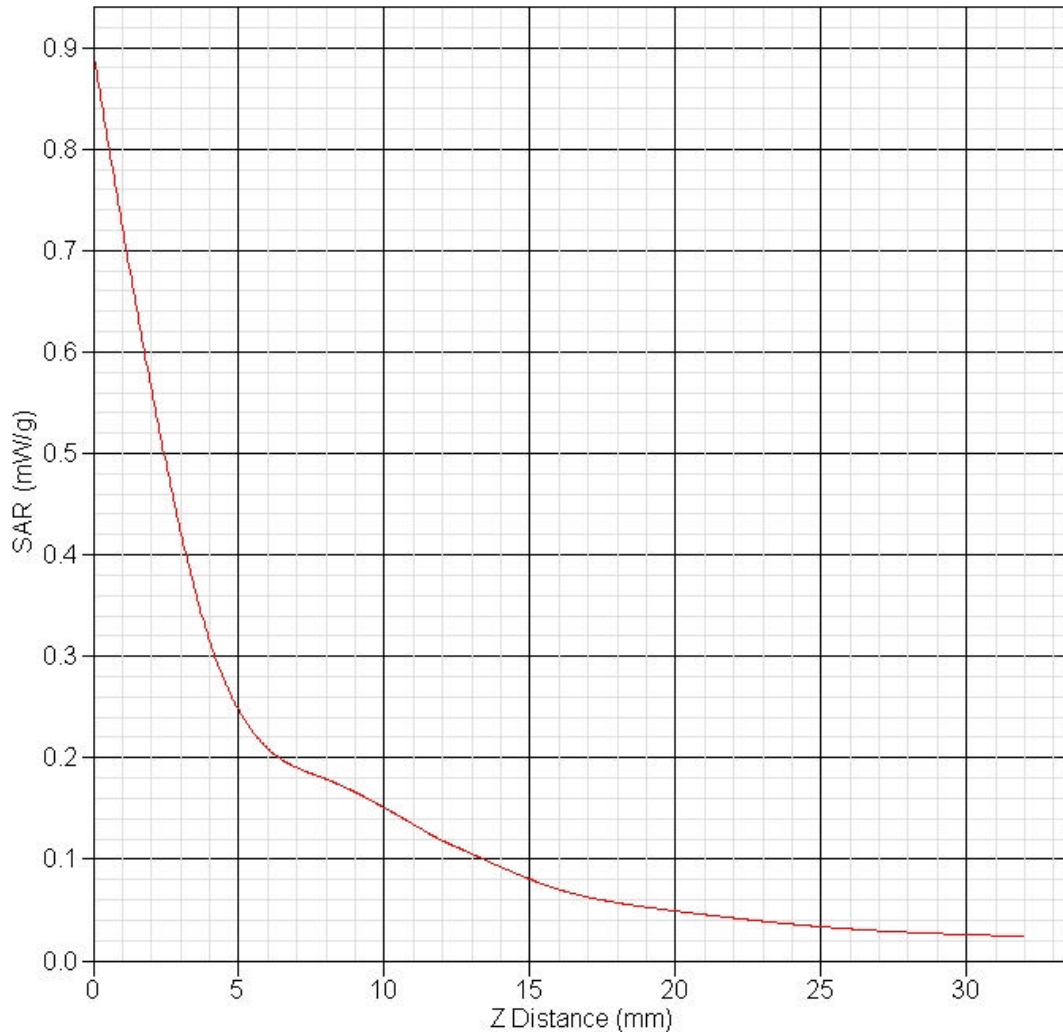
Area Scan Plot



2.8 Z-Axis plot

Frequency: 2450 MHz 802.11g Main Ant. , EUT Position: Back

SAR-Z Axis
at Hotspot x:0.12 y:7.88





3 5200MHz WLAN only SAR measurement Data

SAR Test Report

Report Date : 26-Apr-2007
Measurement Date : 26-Apr-2007

Product Data

Device Name : V100
Serial No. : 11.a-Back
Type : Other
Frequency : 5200.00 MHz
Drift Time : 0 min(s)
Length : 225 mm
Width : 290 mm
Depth : 5 mm
Antenna Type : Internal

Phantom Data

Name : APREL-Uni
Type : Uni-Phantom
Size (mm) : 280 x 280 x 200
Location : Center

Tissue Data

Type : BODY
Serial No. : 5200-B-AU-18
Frequency : 5200.00 MHz
Last Calib. Date : 26-Apr-2007
Temperature : 21.00 °C
Ambient Temp. : 21.30 °C
Humidity : 48.00 RH%
Epsilon : 47.99 F/m
Sigma : 5.31 S/m
Density : 1000.00 kg/cu. m

Probe Data

Name : E-field Probe
Model : ALS-E-020
Type : E-Field Triangle
Serial No. : 266
Last Calib. Date : 22-Jun-2006
Frequency : 5200.00 MHz
Duty Cycle Factor: 1
Conversion Factor: 4.4
Probe Sensitivity: 1.20 1.20 1.20 $\mu\text{V}/(\text{V}/\text{m})^2$
Compression Point: 95.00 mV
Offset : 2.44 mm

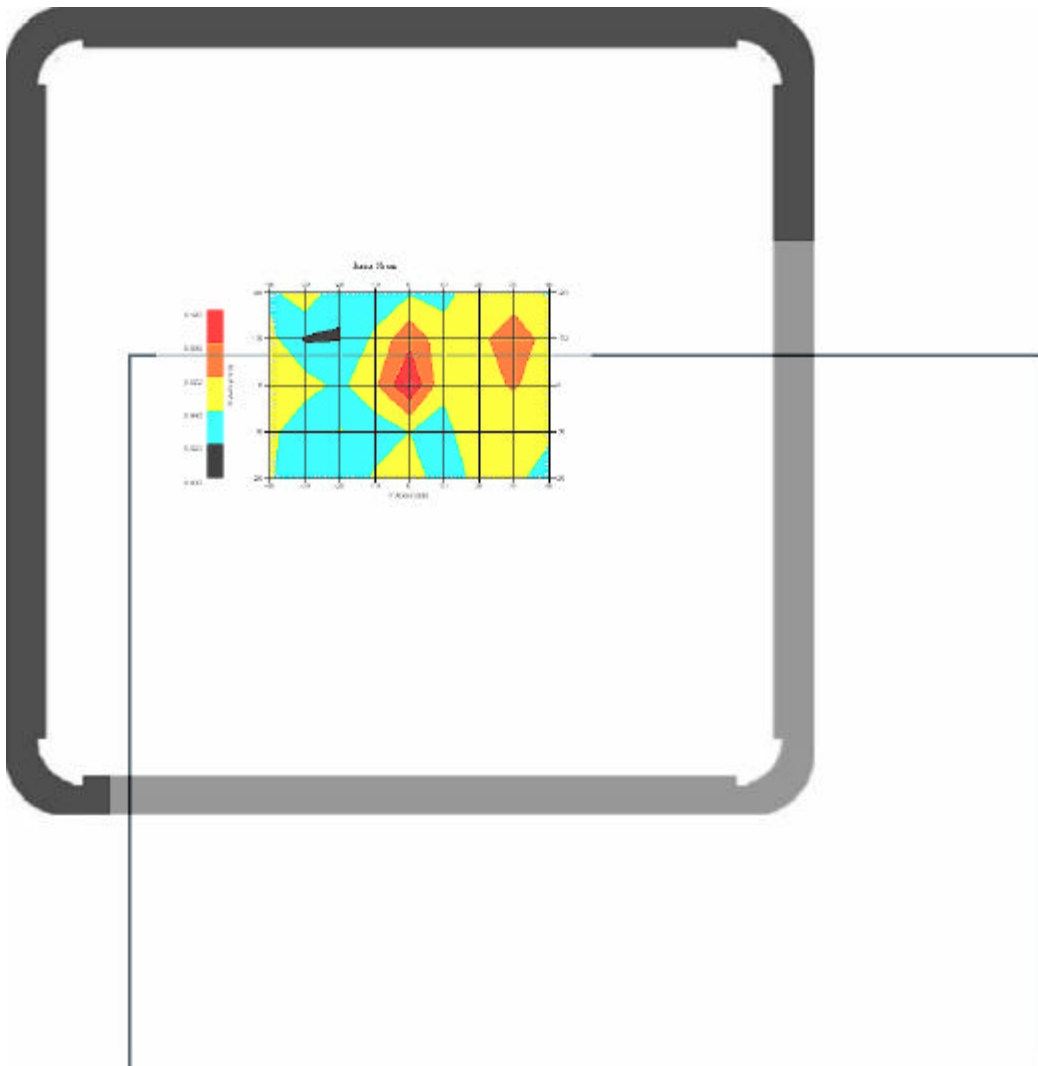
3.1 5200 MHz 802.11a Main Ant. , EUT Position: Back

Measurement Data

Crest Factor : 1
Set-up Date : 26-Apr-2007
Area Scan : 5x9x1 : Measurement x=10mm, y=10mm, z=4mm
Zoom Scan : 9x9x13 : Measurement x=4mm, y=4mm, z=2.5mm

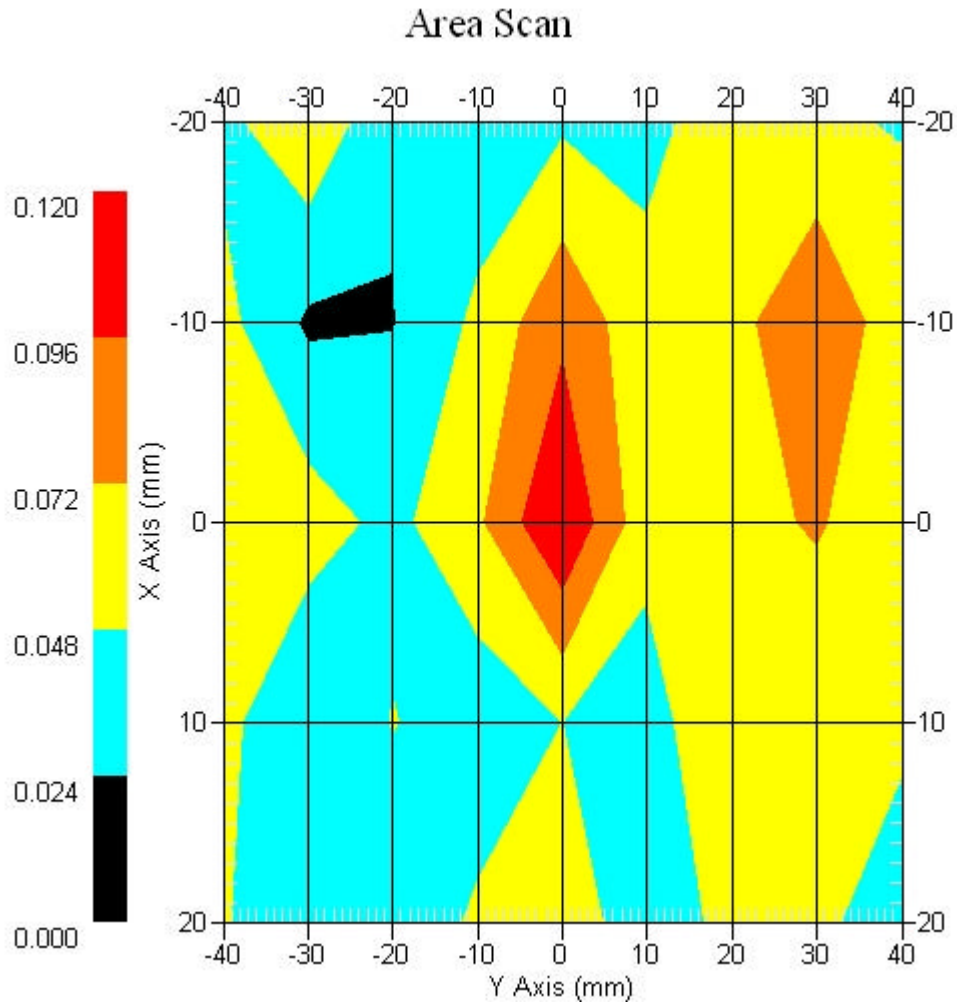
DUT Position : Touch
Channel : Low - 5180MHz

Power Drift-Start : 0.149 W/kg
Power Drift-Finish: 0.152 W/kg
Power Drift (%) : 1.704



1 gram SAR value : 0.112 W/kg
10 gram SAR value : 0.068 W/kg
Area Scan Peak SAR : 0.120 W/kg
Zoom Scan Peak SAR : 0.150 W/kg

Area Scan Plot



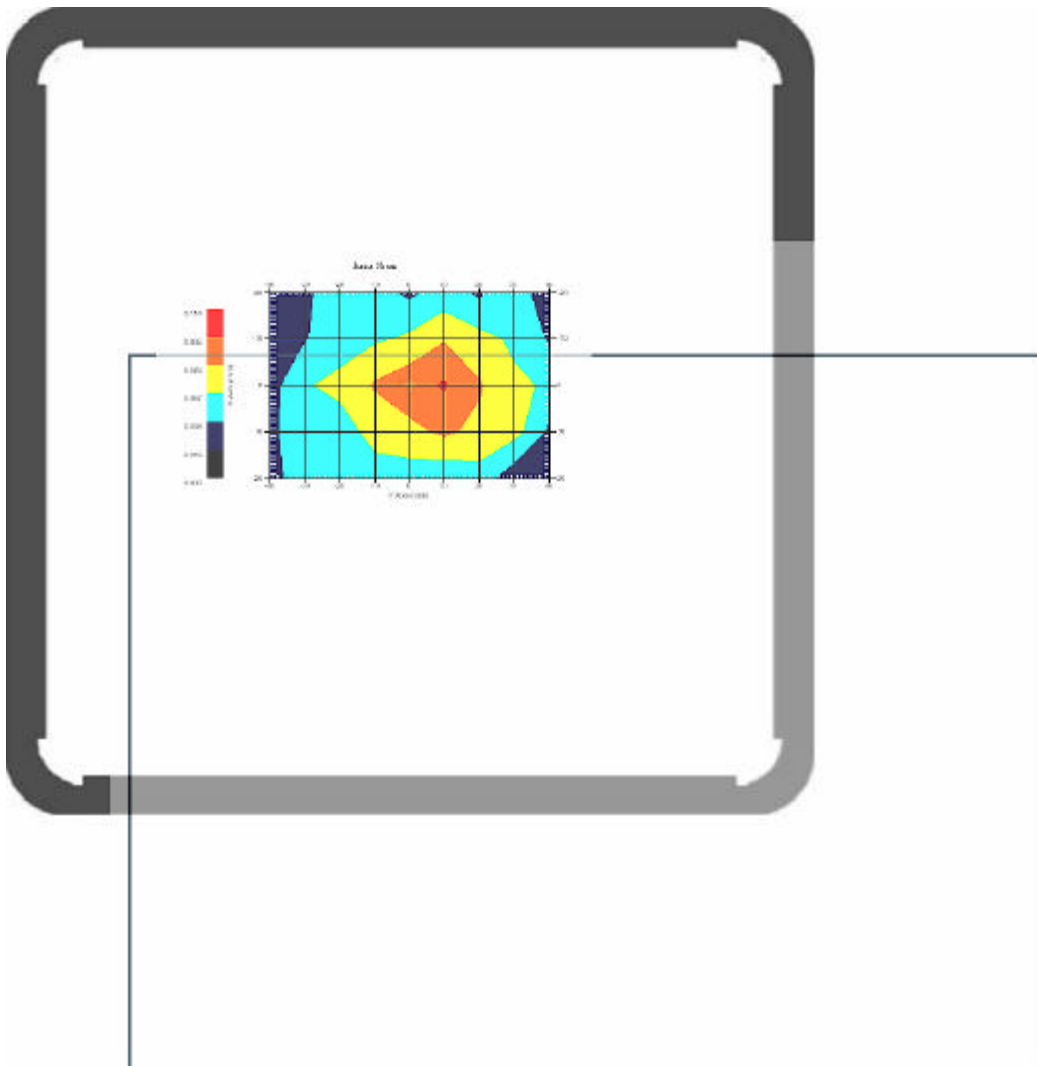
3.2 5200 MHz 802.11a Main Ant. , EUT Position: Back

Measurement Data

Crest Factor : 1
Set-up Date : 26-Apr-2007
Area Scan : 5x9x1 : Measurement x=10mm, y=10mm, z=4mm
Zoom Scan : 9x9x13 : Measurement x=4mm, y=4mm, z=2.5mm

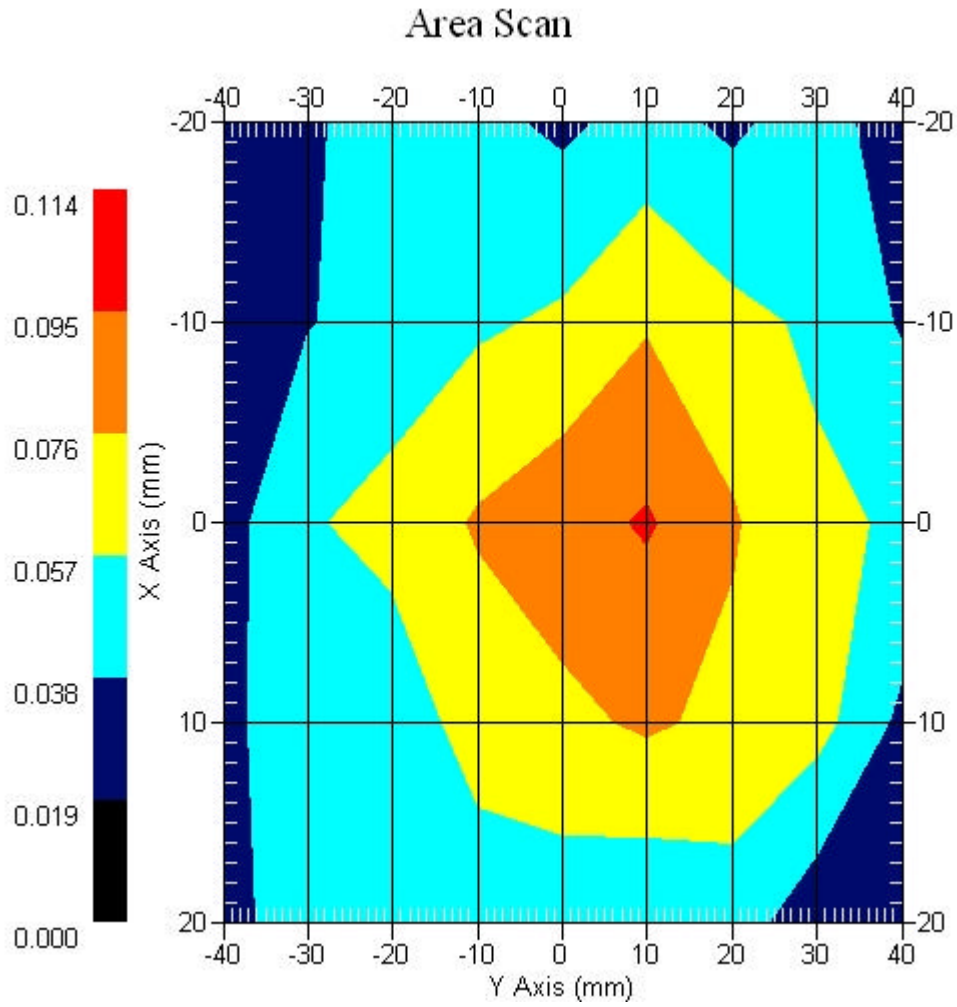
DUT Position : Touch
Channel : Mid - 5240MHz

Power Drift-Start : 0.185 W/kg
Power Drift-Finish: 0.182 W/kg
Power Drift (%) : -1.491



1 gram SAR value : 0.088 W/kg
10 gram SAR value : 0.041 W/kg
Area Scan Peak SAR : 0.097 W/kg
Zoom Scan Peak SAR : 0.211 W/kg

Area Scan Plot



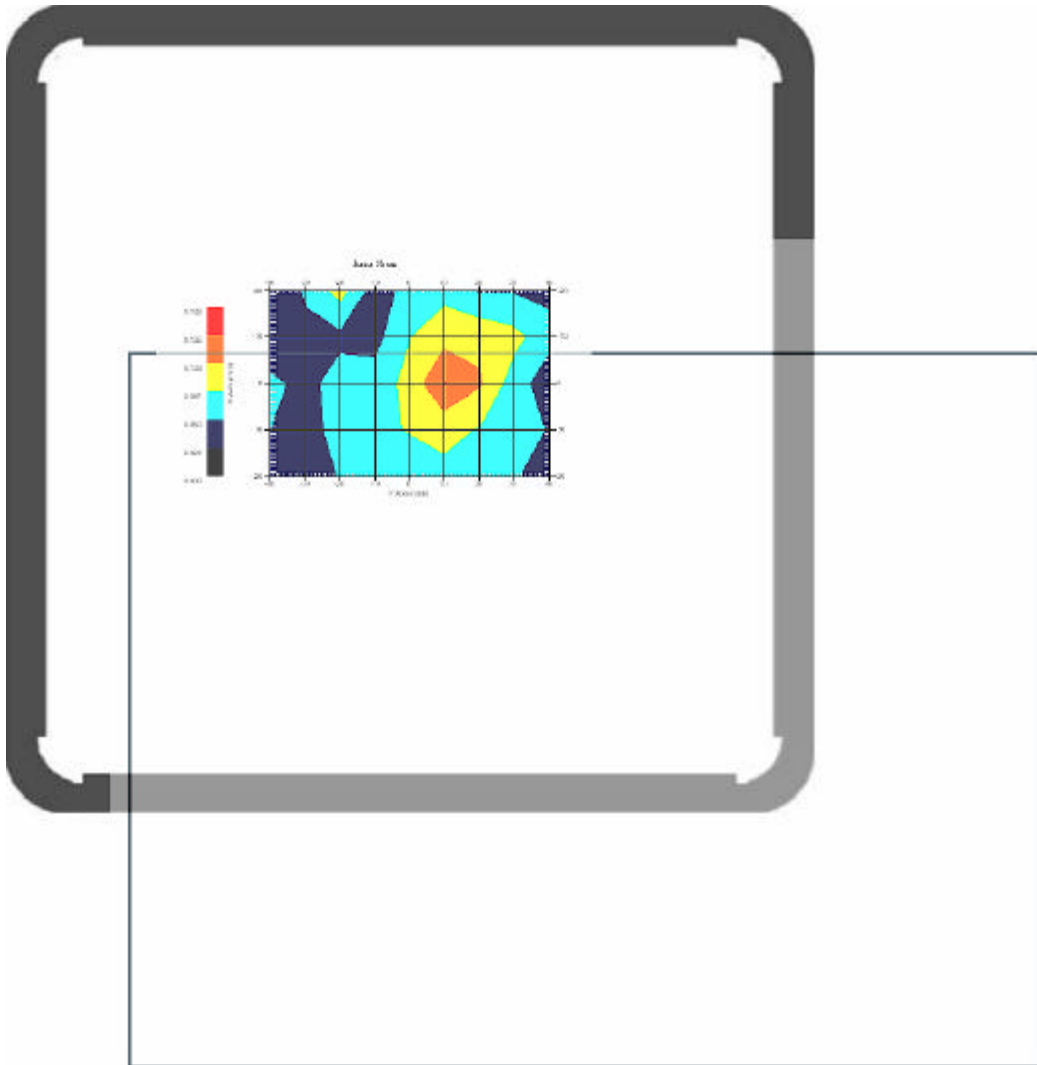
3.3 5200 MHz 802.11a Main Ant. , EUT Position: Back

Measurement Data

Crest Factor : 1
Set-up Date : 26-Apr-2007
Area Scan : 5x9x1 : Measurement x=10mm, y=10mm, z=4mm
Zoom Scan : 9x9x13 : Measurement x=4mm, y=4mm, z=2.5mm

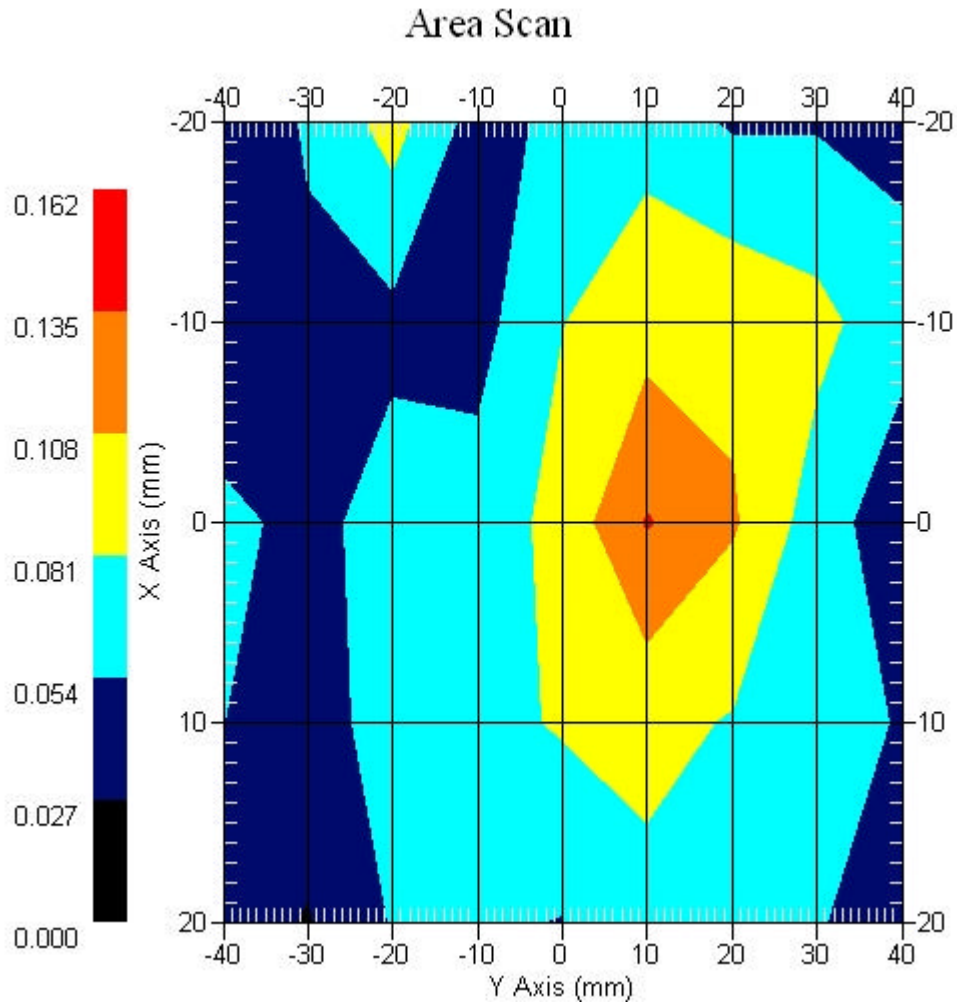
DUT Position : Touch
Channel : Mid - 5260MHz

Power Drift-Start : 0.152 W/kg
Power Drift-Finish: 0.150 W/kg
Power Drift (%) : -1.256



1 gram SAR value : 0.121 W/kg
10 gram SAR value : 0.067 W/kg
Area Scan Peak SAR : 0.137 W/kg
Zoom Scan Peak SAR : 0.310 W/kg

Area Scan Plot



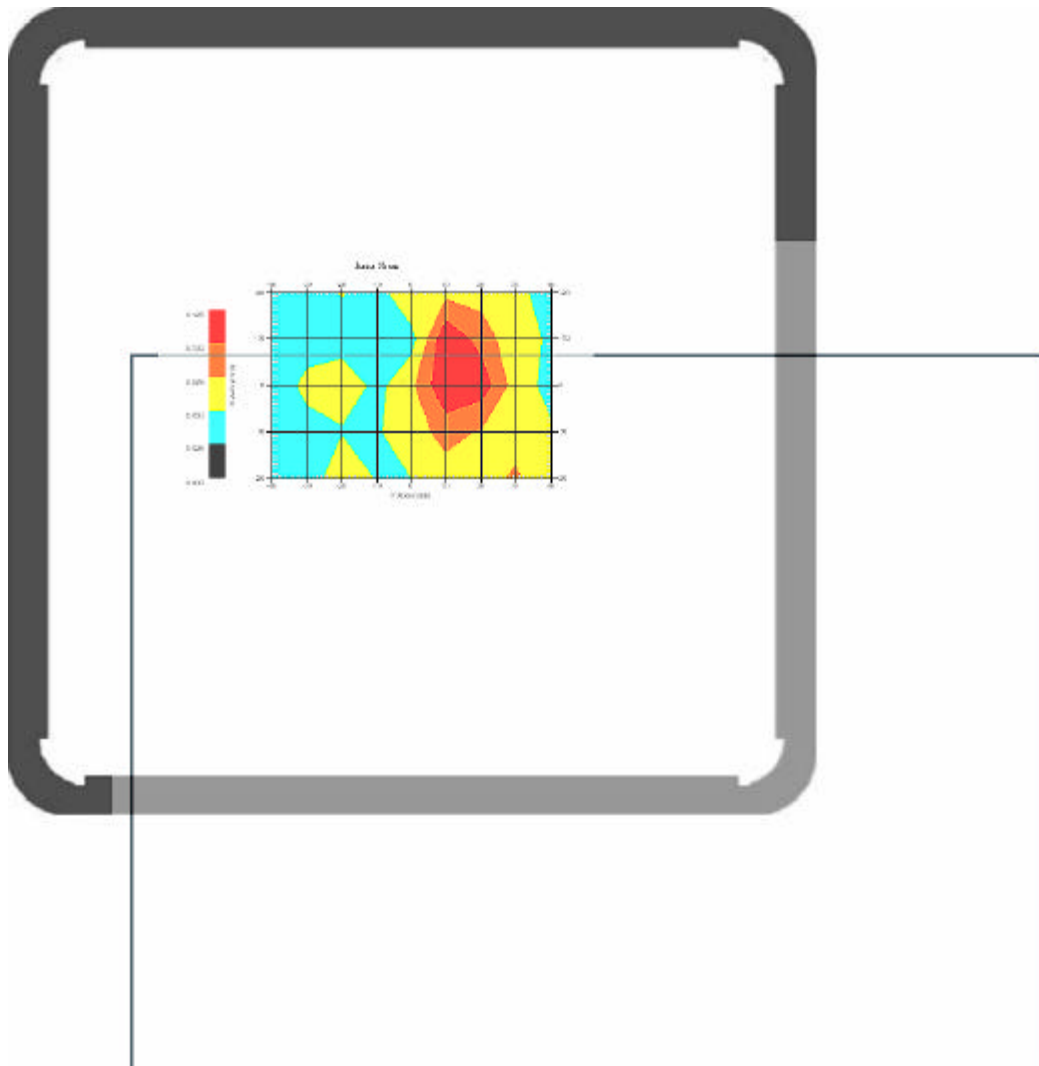
3.4 5200 MHz 802.11a Main Ant. , EUT Position: Back

Measurement Data

Crest Factor : 1
Set-up Date : 26-Apr-2007
Area Scan : 5x9x1 : Measurement x=10mm, y=10mm, z=4mm
Zoom Scan : 9x9x13 : Measurement x=4mm, y=4mm, z=2.5mm

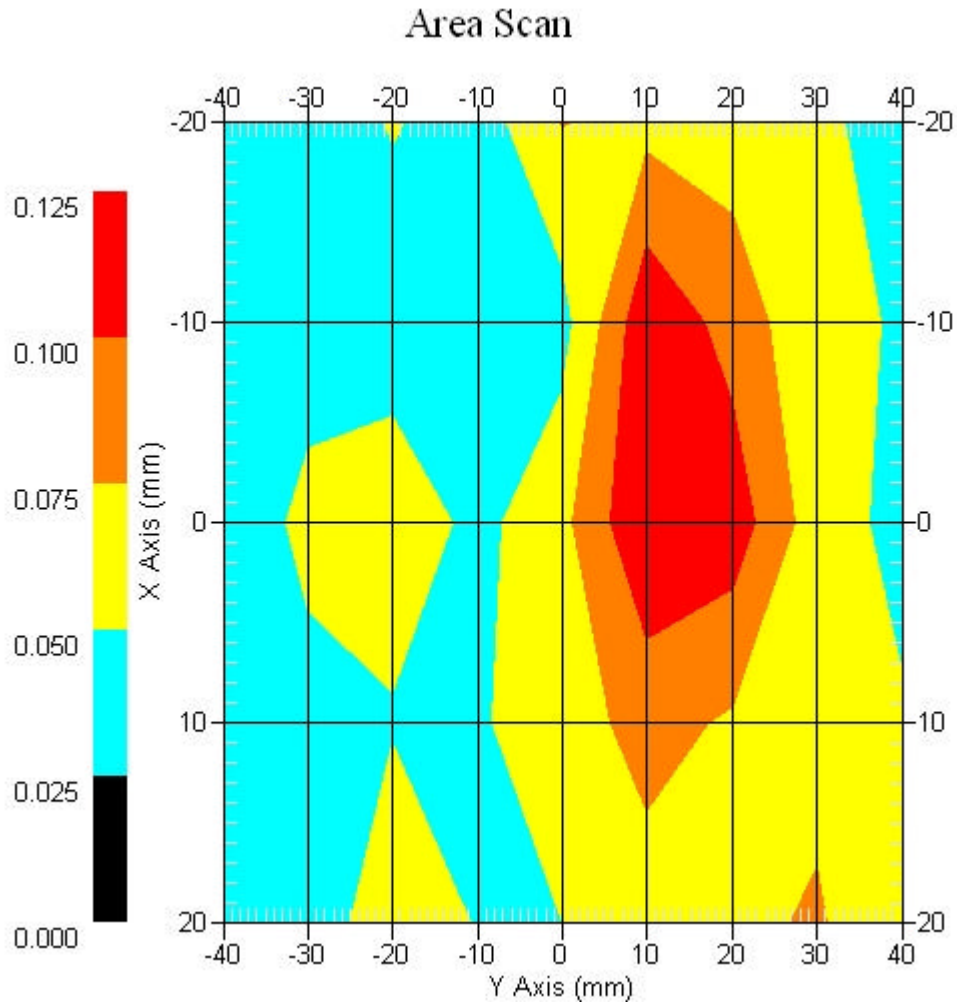
DUT Position : Touch
Channel : High - 5320MHz

Power Drift-Start : 0.168 W/kg
Power Drift-Finish: 0.166 W/kg
Power Drift (%) : -0.988



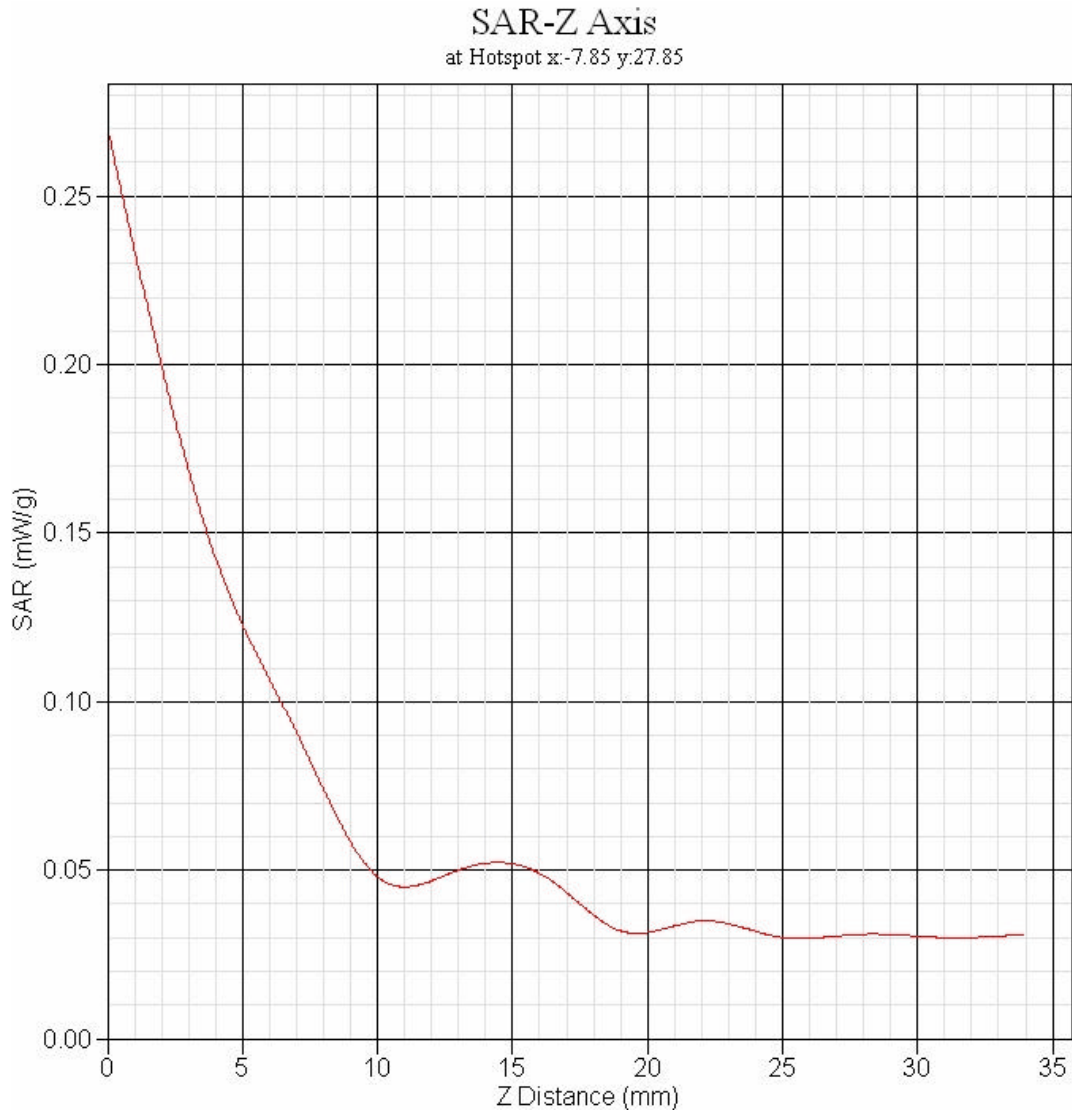
1 gram SAR value : 0.126 W/kg
10 gram SAR value : 0.078 W/kg
Area Scan Peak SAR : 0.124 W/kg
Zoom Scan Peak SAR : 0.270 W/kg

Area Scan Plot



3.5 Z-Axis plot

Frequency: 5200 MHz 802.11a Main Ant. , EUT Position: Back





4 5800MHz WLAN only SAR measurement Data

SAR Test Report

Report Date : 26-Apr-2007
Measurement Date : 26-Apr-2007

Product Data

Device Name : V100
Serial No. : 11.a-Back
Type : Other
Frequency : 5800.00 MHz
Drift Time : 0 min(s)
Length : 225 mm
Width : 290 mm
Depth : 5 mm
Antenna Type : Internal

Phantom Data

Name : APREL-Uni
Type : Uni-Phantom
Size (mm) : 280 x 280 x 200
Location : Center

Tissue Data

Type : BODY
Serial No. : 5800-B-AU-19
Frequency : 5800.00 MHz
Last Calib. Date : 26-Apr-2007
Temperature : 21.00 °C
Ambient Temp. : 21.30 °C
Humidity : 48.00 RH%
Epsilon : 47.10 F/m
Sigma : 6.11 S/m
Density : 1000.00 kg/cu. m

Probe Data

Name : E-field Probe
Model : ALS-E-020
Type : E-Field Triangle
Serial No. : 266
Last Calib. Date : 22-Jun-2006
Frequency : 5800.00 MHz
Duty Cycle Factor: 1
Conversion Factor: 4.2
Probe Sensitivity: 1.20 1.20 1.20 $\mu\text{V}/(\text{V}/\text{m})^2$
Compression Point: 95.00 mV
Offset : 2.44 mm

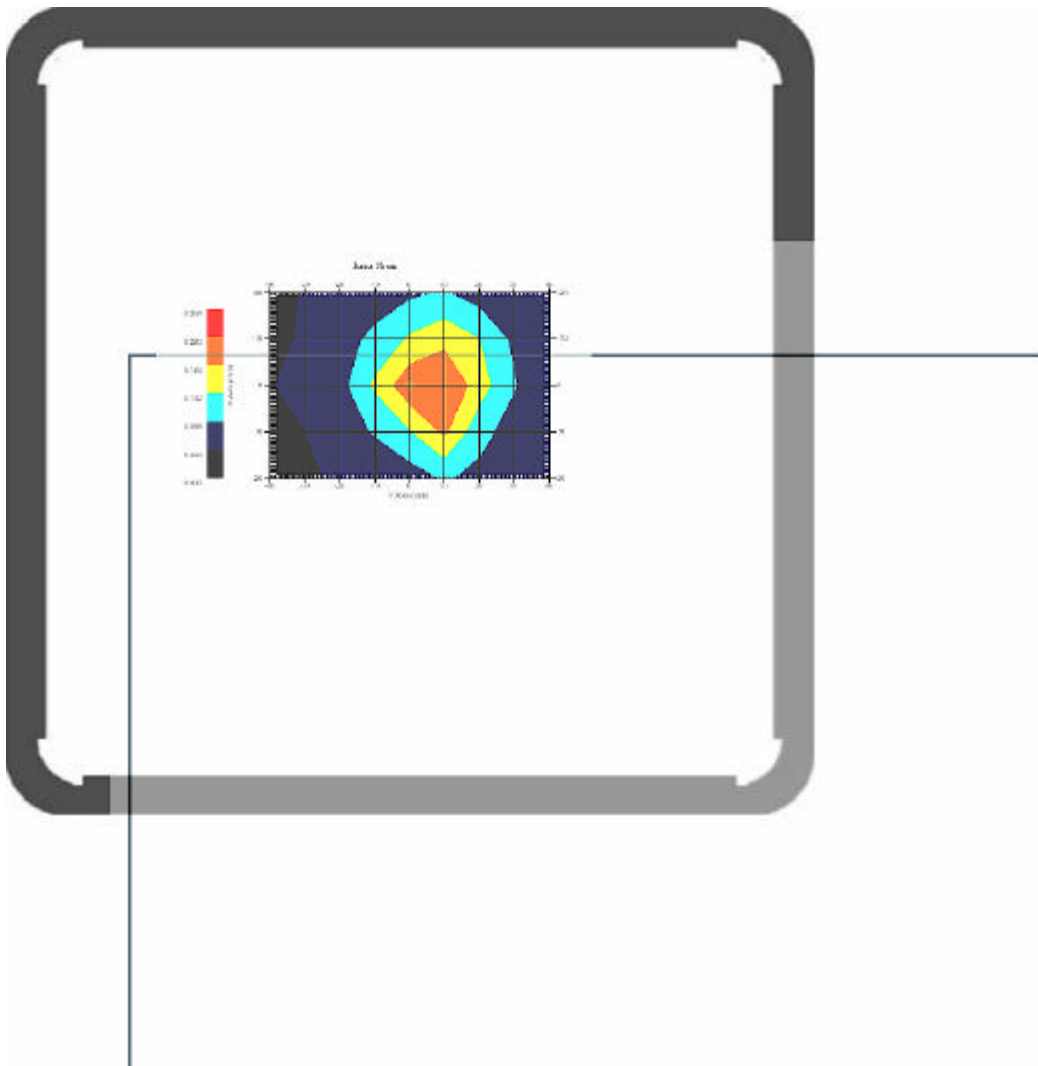
4.1 5800 MHz 802.11a Main Ant. , EUT Position: Back

Measurement Data

Crest Factor : 1
Set-up Date : 26-Apr-2007
Area Scan : 5x9x1 : Measurement x=10mm, y=10mm, z=4mm
Zoom Scan : 9x9x13 : Measurement x=4mm, y=4mm, z=2.5mm

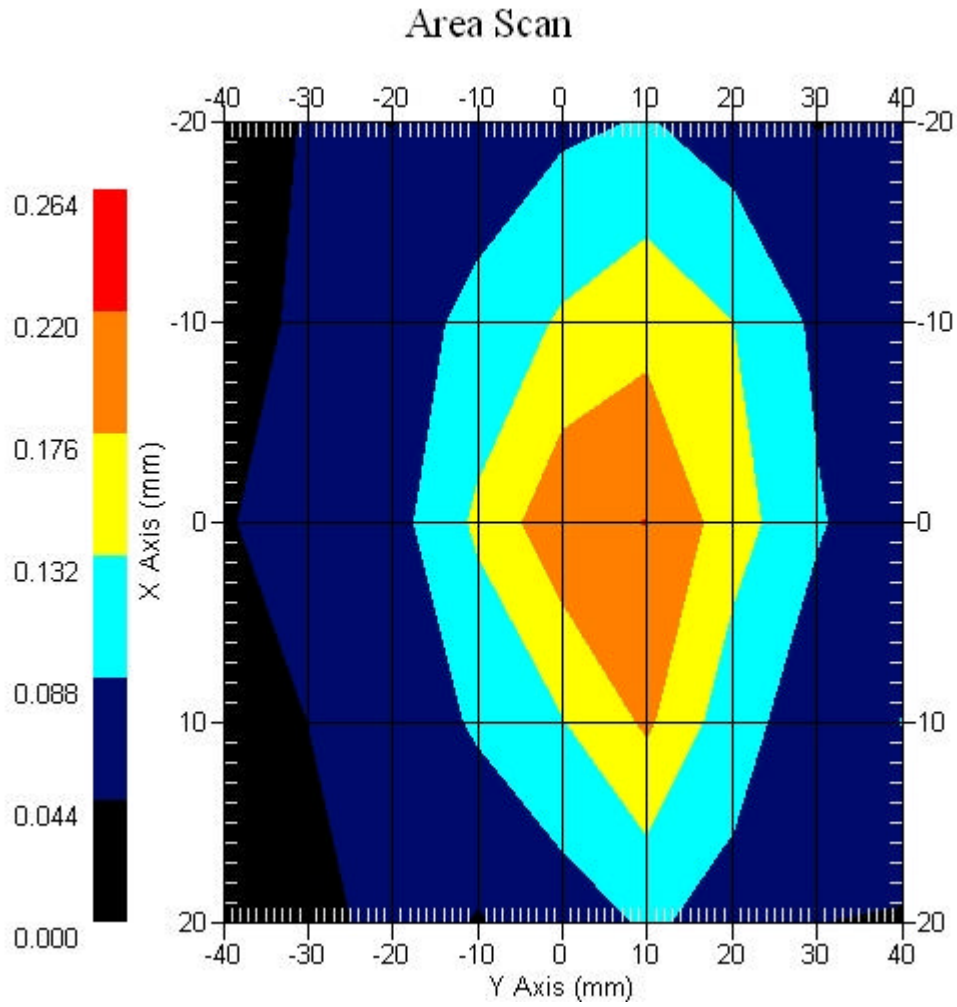
DUT Position : Touch
Channel : Low - 5745MHz

Power Drift-Start : 0.097 W/kg
Power Drift-Finish: 0.099 W/kg
Power Drift (%) : 1.793



1 gram SAR value : 0.198 W/kg
10 gram SAR value : 0.085 W/kg
Area Scan Peak SAR : 0.221 W/kg
Zoom Scan Peak SAR : 0.392 W/kg

Area Scan Plot



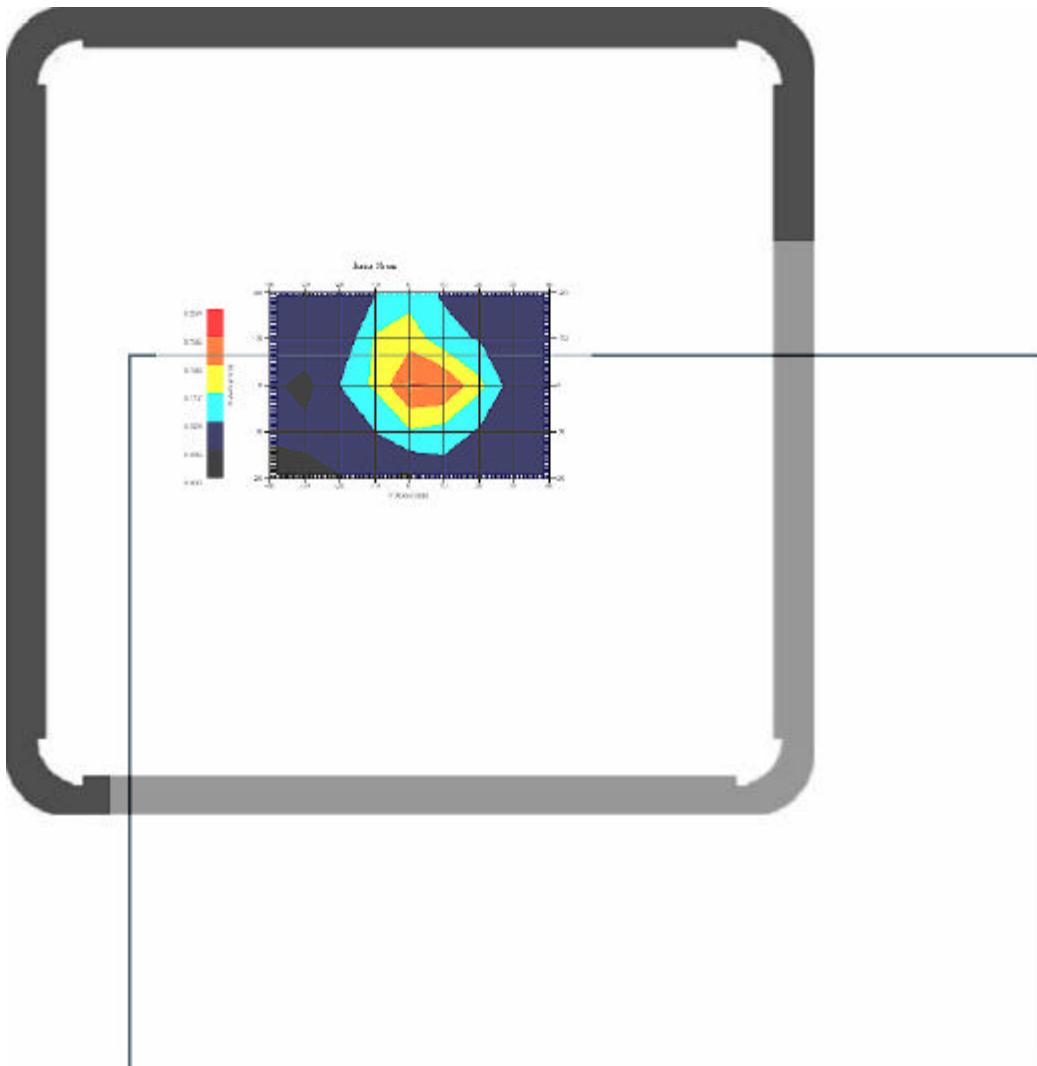
4.2 5800 MHz 802.11a Main Ant. , EUT Position: Back

Measurement Data

Crest Factor : 1
Set-up Date : 26-Apr-2007
Area Scan : 5x9x1 : Measurement x=10mm, y=10mm, z=4mm
Zoom Scan : 9x9x13 : Measurement x=4mm, y=4mm, z=2.5mm

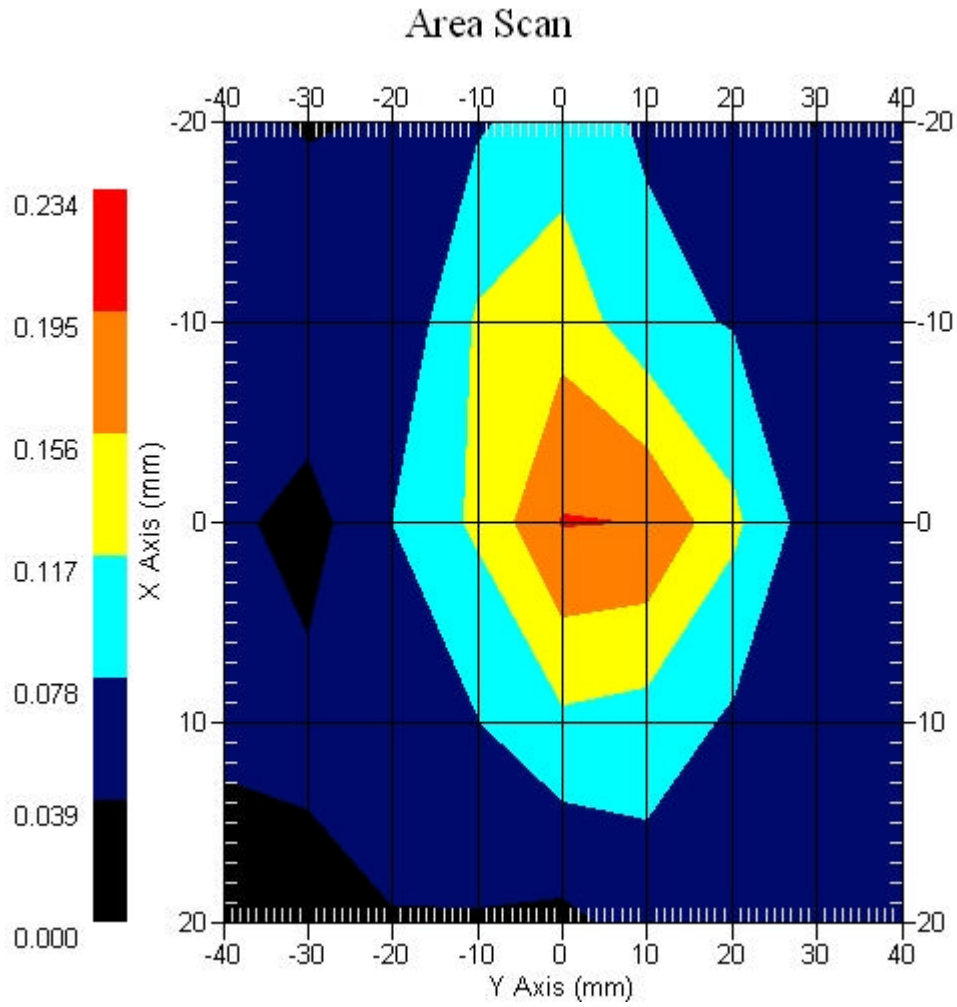
DUT Position : Touch
Channel : Mid - 5785MHz

Power Drift-Start : 0.137 W/kg
Power Drift-Finish: 0.134 W/kg
Power Drift (%) : -1.891



1 gram SAR value : 0.116 W/kg
10 gram SAR value : 0.043 W/kg
Area Scan Peak SAR : 0.197 W/kg
Zoom Scan Peak SAR : 0.379 W/kg

Area Scan Plot



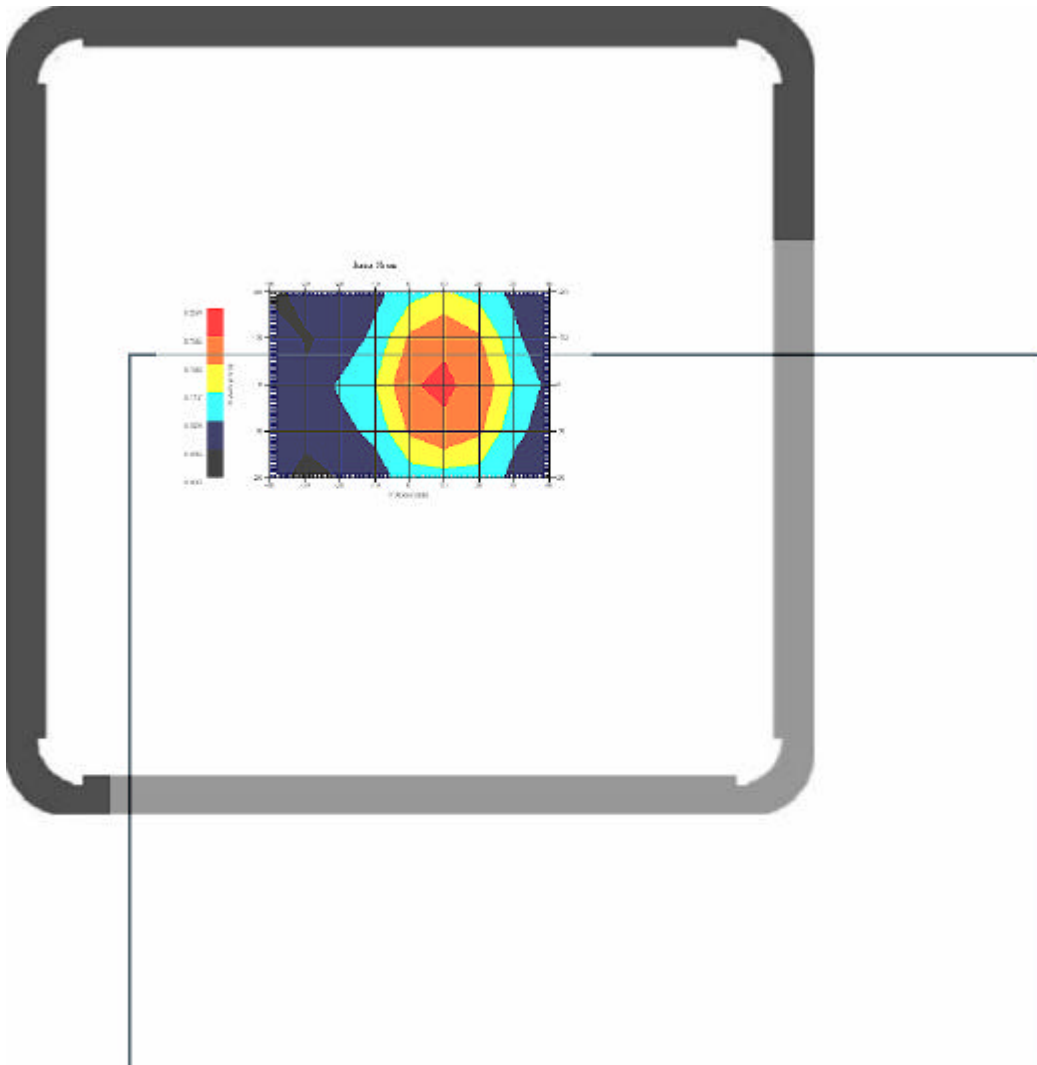
4.3 5800 MHz 802.11a Main Ant. , EUT Position: Back

Measurement Data

Crest Factor : 1
Set-up Date : 26-Apr-2007
Area Scan : 5x9x1 : Measurement x=10mm, y=10mm, z=4mm
Zoom Scan : 9x9x13 : Measurement x=4mm, y=4mm, z=2.5mm

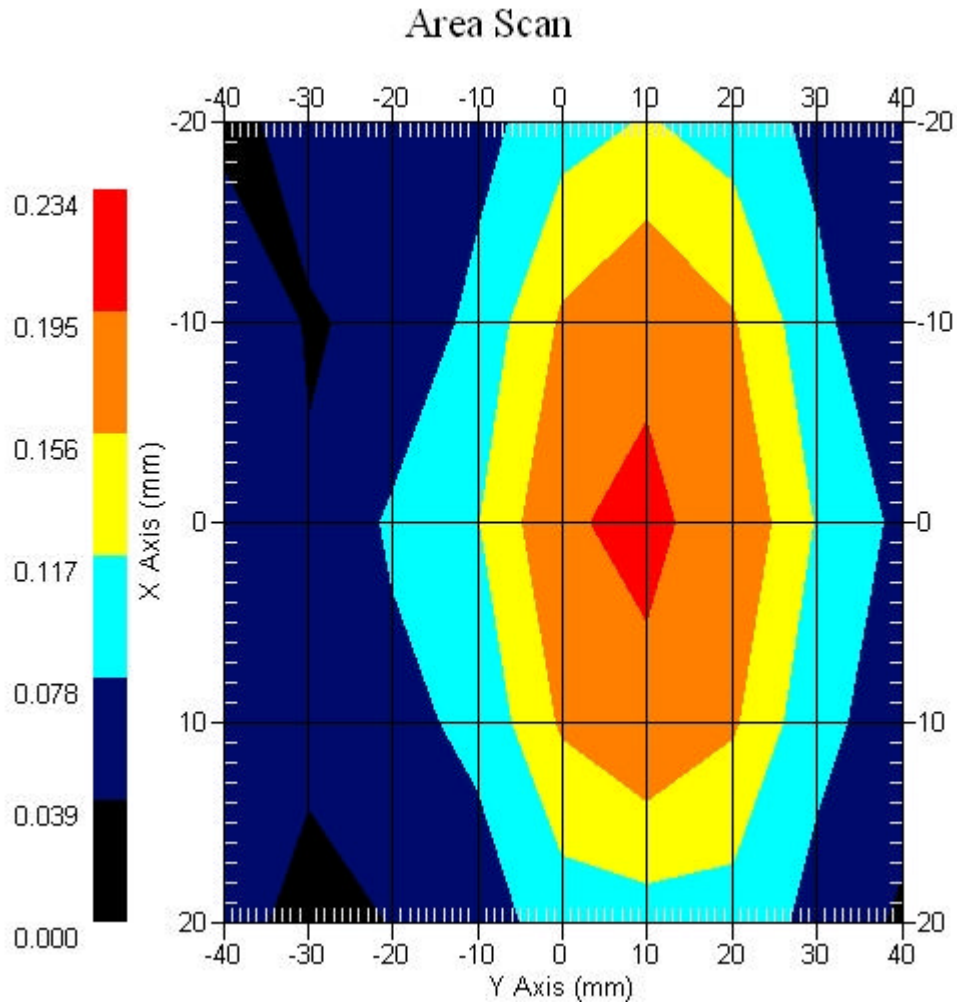
DUT Position : Touch
Channel : High - 5825MHz

Power Drift-Start : 0.164 W/kg
Power Drift-Finish: 0.163 W/kg
Power Drift (%) : -0.743



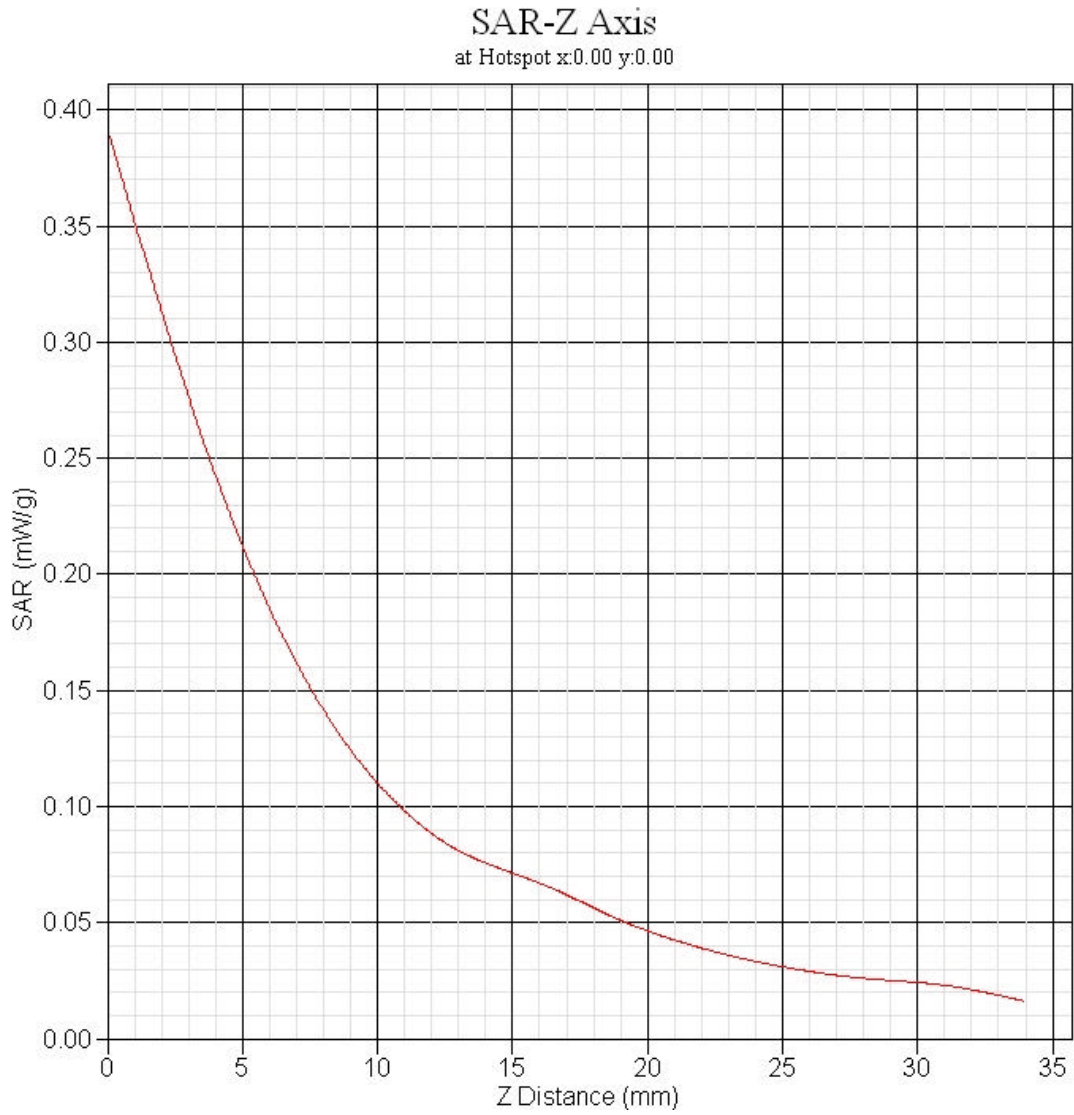
1 gram SAR value : 0.189 W/kg
10 gram SAR value : 0.088 W/kg
Area Scan Peak SAR : 0.197 W/kg
Zoom Scan Peak SAR : 0.359 W/kg

Area Scan Plot



4.4 Z-Axis plot

Frequency: 5800 MHz 802.11a Main Ant. , EUT Position: Back





5 5200MHz WLAN + BT SAR measurement Data

SAR Test Report

Report Date : 26-Apr-2007
Measurement Date : 26-Apr-2007

Product Data

Device Name : V100
Serial No. : 11.a-Back
Type : Other
Frequency : 5200.00 MHz
Drift Time : 0 min(s)
Length : 225 mm
Width : 290 mm
Depth : 5 mm
Antenna Type : Internal

Phantom Data

Name : APREL-Uni
Type : Uni-Phantom
Size (mm) : 280 x 280 x 200
Location : Center

Tissue Data

Type : BODY
Serial No. : 5200-B-AU-18
Frequency : 5200.00 MHz
Last Calib. Date : 26-Apr-2007
Temperature : 21.00 °C
Ambient Temp. : 21.30 °C
Humidity : 48.00 RH%
Epsilon : 47.99 F/m
Sigma : 5.31 S/m
Density : 1000.00 kg/cu. m

Probe Data

Name : E-field Probe
Model : ALS-E-020
Type : E-Field Triangle
Serial No. : 266
Last Calib. Date : 22-Jun-2006
Frequency : 5200.00 MHz
Duty Cycle Factor: 1
Conversion Factor: 4.4
Probe Sensitivity: 1.20 1.20 1.20 $\mu\text{V}/(\text{V}/\text{m})^2$
Compression Point: 95.00 mV
Offset : 2.44 mm

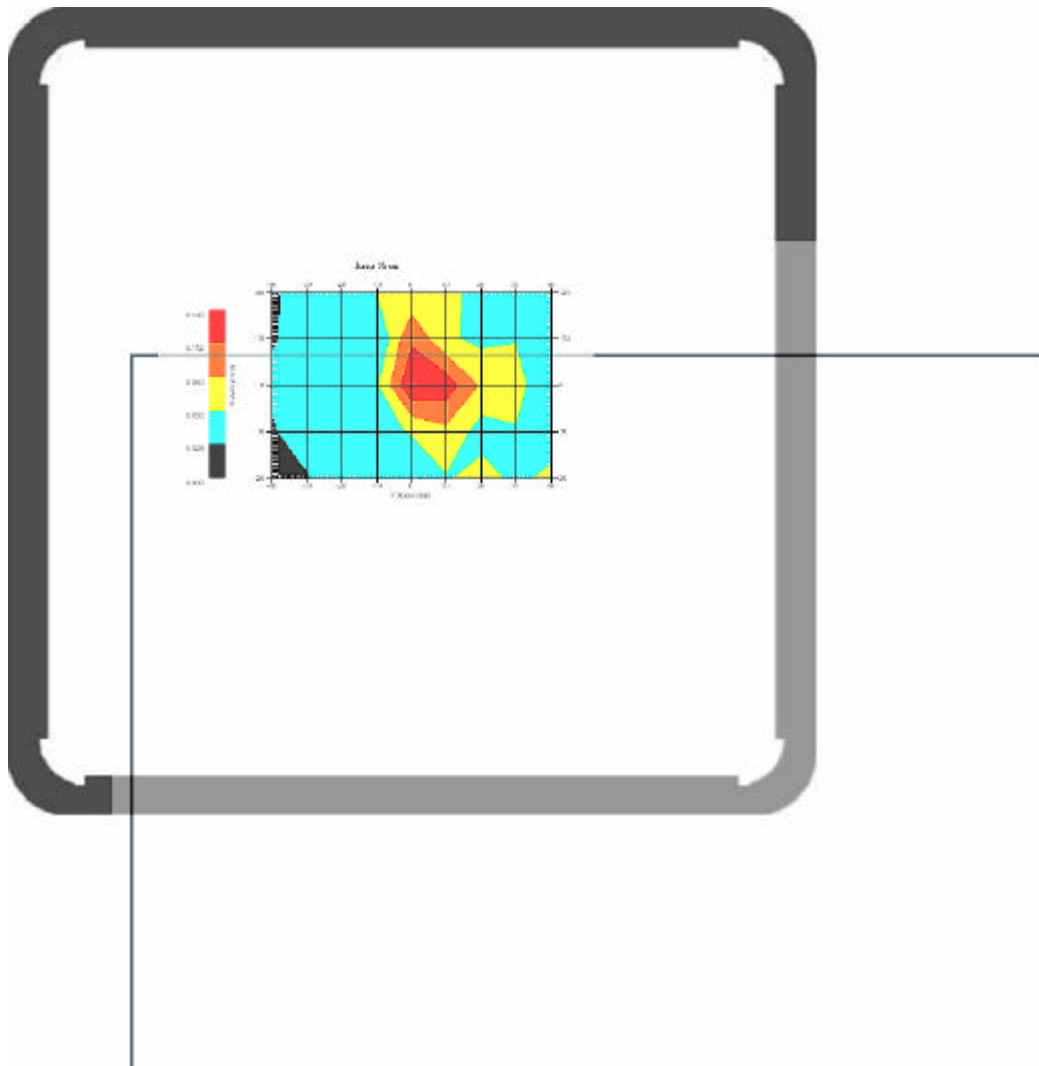
5.1 5200 MHz 802.11a Main Ant. , EUT Position: Back

Measurement Data

Crest Factor : 1
Set-up Date : 26-Apr-2007
Area Scan : 5x9x1 : Measurement x=10mm, y=10mm, z=4mm
Zoom Scan : 9x9x13 : Measurement x=4mm, y=4mm, z=2.5mm

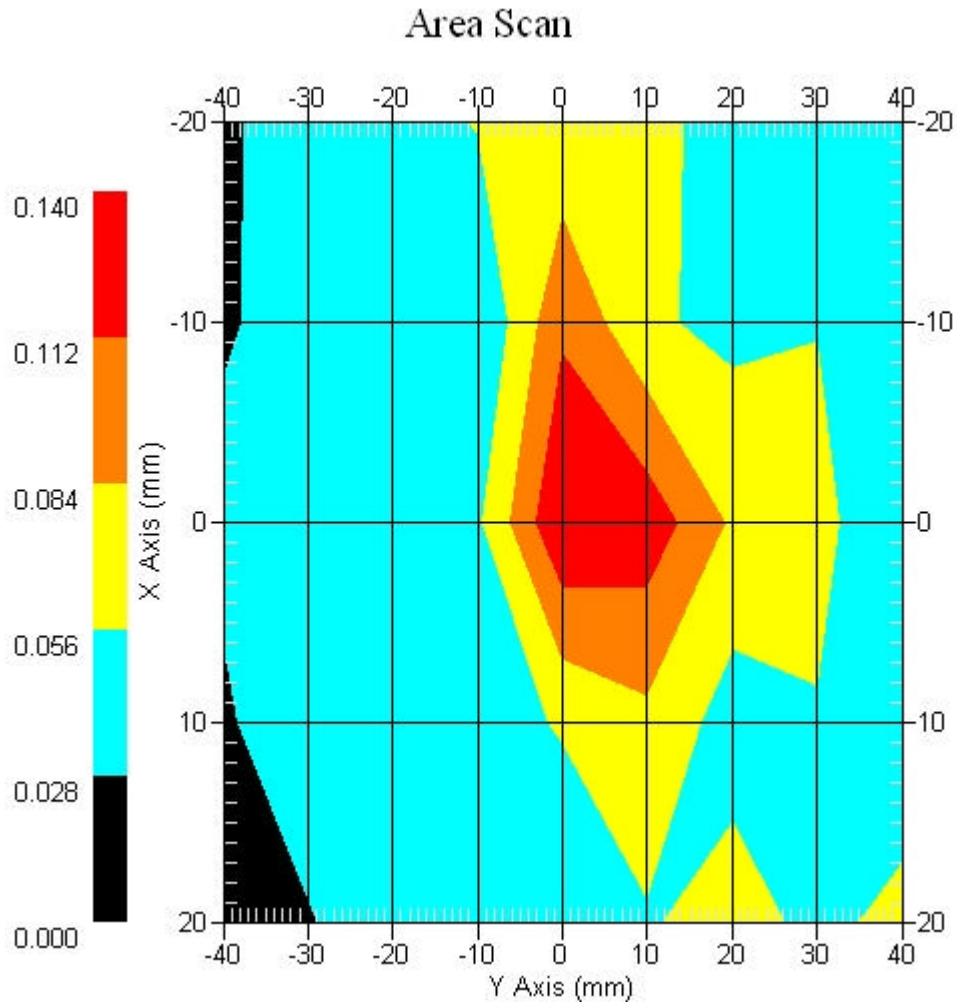
DUT Position : Touch
Channel : Low - 5180MHz

Power Drift-Start : 0.136 W/kg
Power Drift-Finish: 0.133 W/kg
Power Drift (%) : -1.816



1 gram SAR value : 0.113 W/kg
10 gram SAR value : 0.064 W/kg
Area Scan Peak SAR : 0.138 W/kg
Zoom Scan Peak SAR : 0.320 W/kg

Area Scan Plot



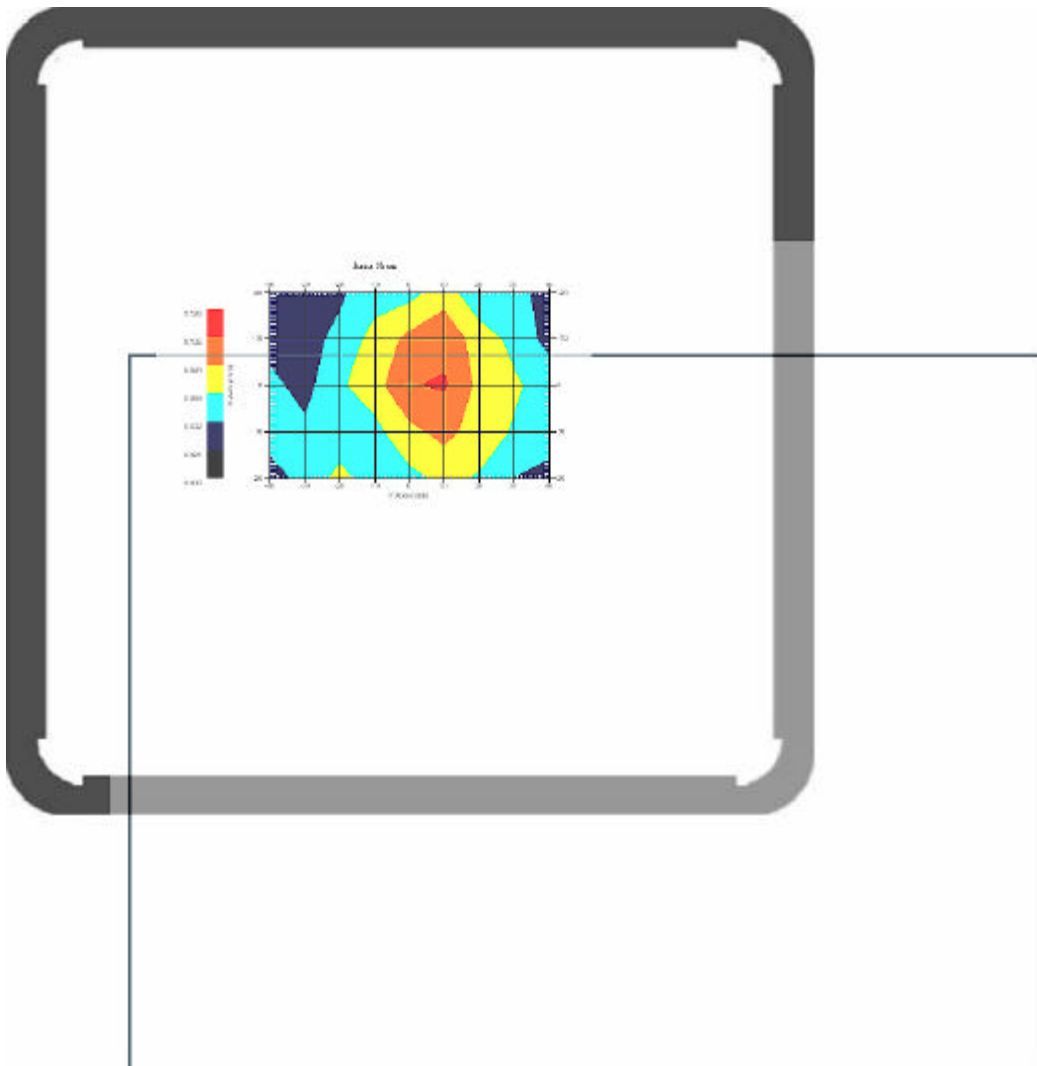
5.2 5200 MHz 802.11a Main Ant. , EUT Position: Back

Measurement Data

Crest Factor : 1
Set-up Date : 26-Apr-2007
Area Scan : 5x9x1 : Measurement x=10mm, y=10mm, z=4mm
Zoom Scan : 9x9x13 : Measurement x=4mm, y=4mm, z=2.5mm

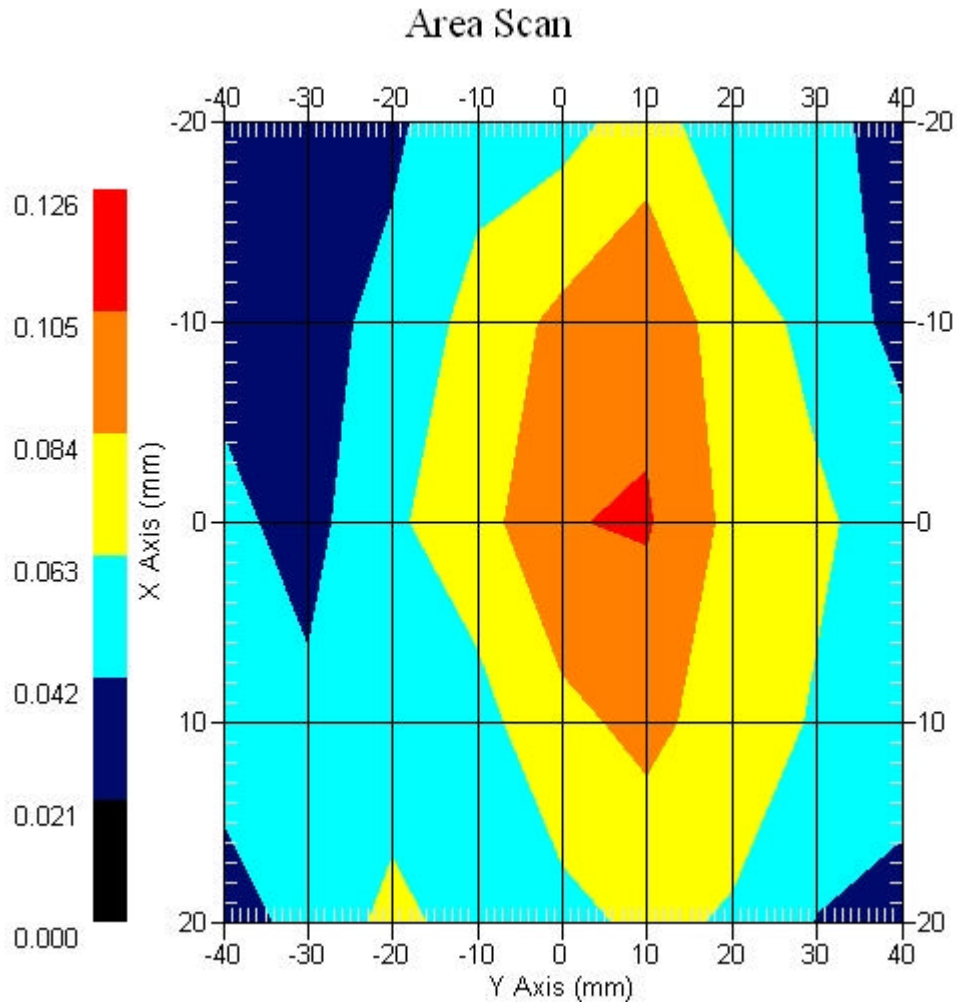
DUT Position : Touch
Channel : Mid - 5240MHz

Power Drift-Start : 0.112 W/kg
Power Drift-Finish: 0.110 W/kg
Power Drift (%) : -1.651



1 gram SAR value : 0.079 W/kg
10 gram SAR value : 0.033 W/kg
Area Scan Peak SAR : 0.107 W/kg
Zoom Scan Peak SAR : 0.184 W/kg

Area Scan Plot



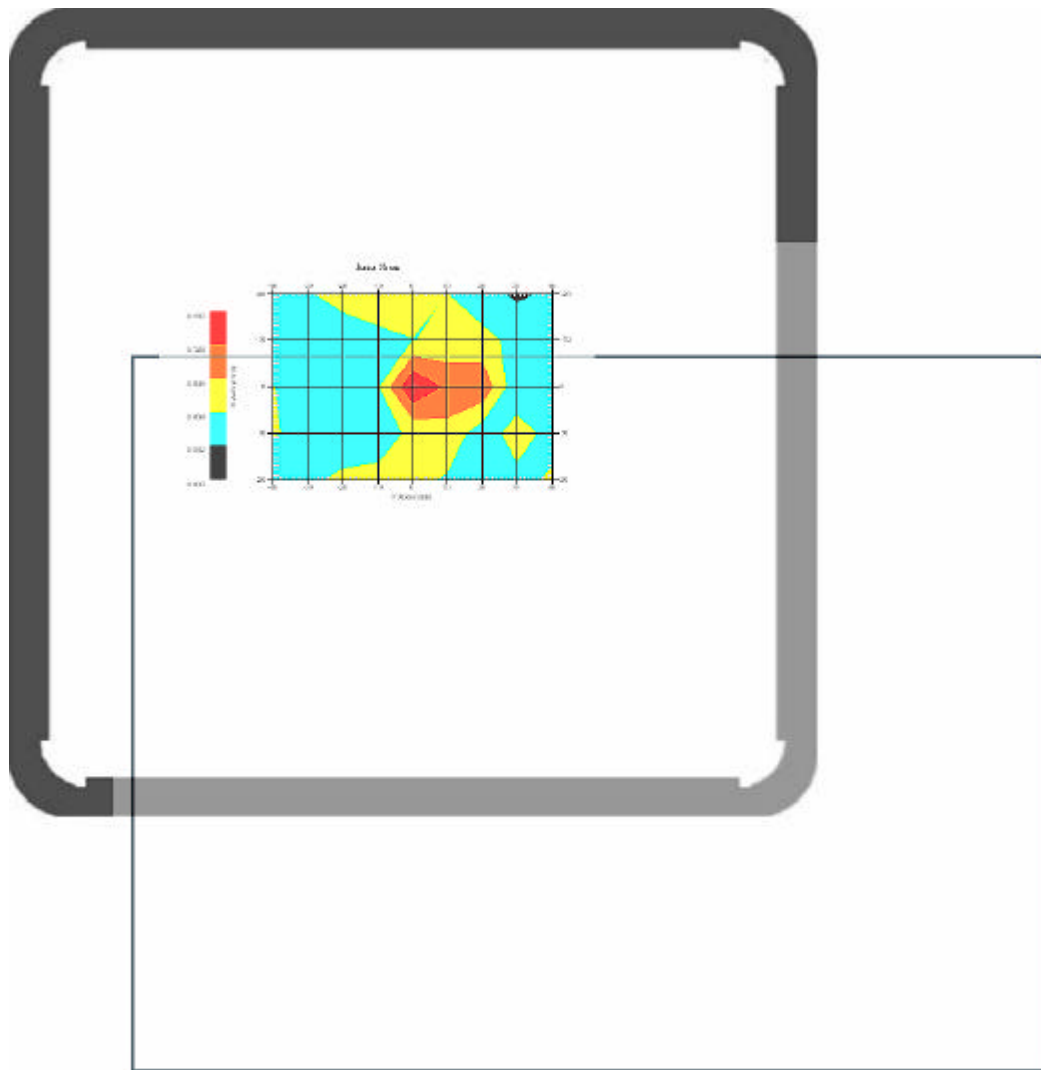
5.3 5200 MHz 802.11a Main Ant. , EUT Position: Back

Measurement Data

Crest Factor : 1
Set-up Date : 26-Apr-2007
Area Scan : 5x9x1 : Measurement x=10mm, y=10mm, z=4mm
Zoom Scan : 9x9x13 : Measurement x=4mm, y=4mm, z=2.5mm

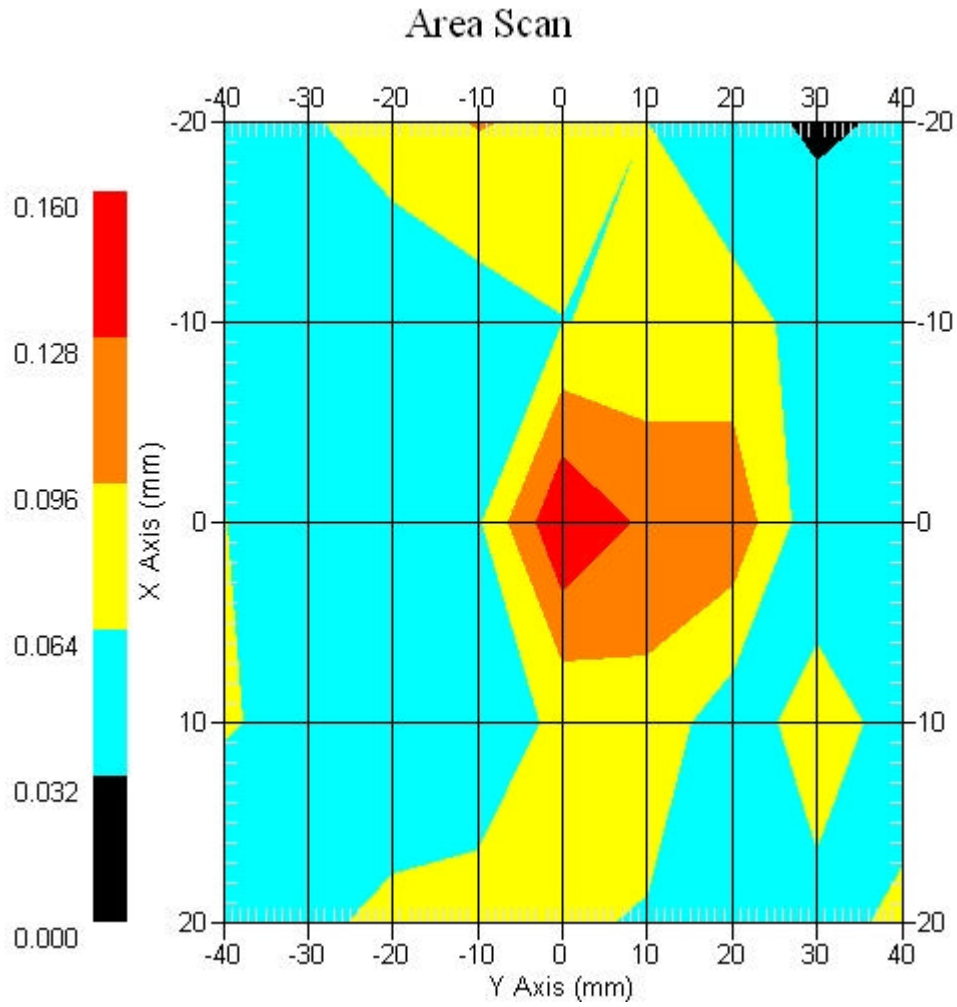
DUT Position : Touch
Channel : Mid - 5260MHz

Power Drift-Start : 0.145 W/kg
Power Drift-Finish: 0.148 W/kg
Power Drift (%) : 1.868



1 gram SAR value : 0.112 W/kg
10 gram SAR value : 0.070 W/kg
Area Scan Peak SAR : 0.160 W/kg
Zoom Scan Peak SAR : 0.190 W/kg

Area Scan Plot



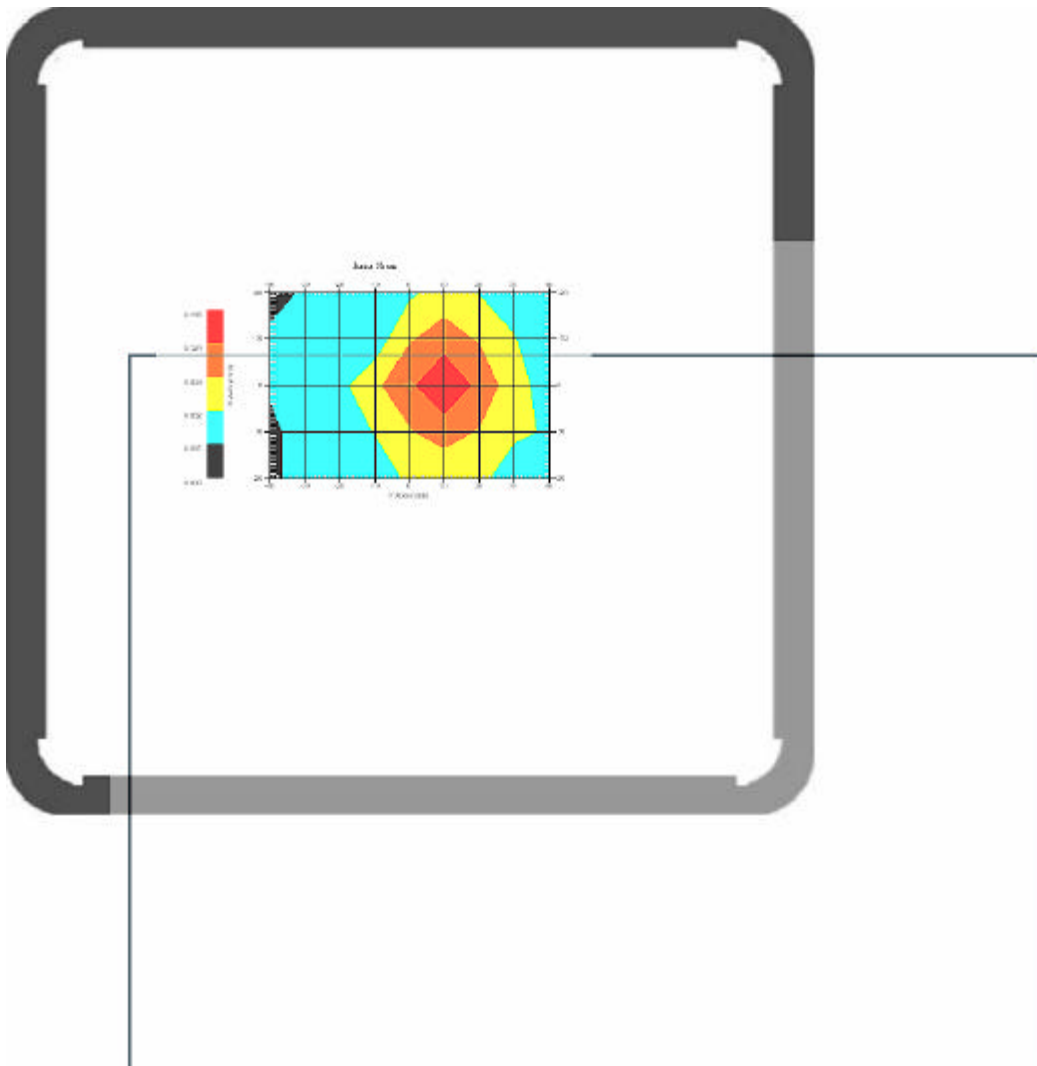
5.4 5200 MHz 802.11a Main Ant. , EUT Position: Back

Measurement Data

Crest Factor : 1
Set-up Date : 26-Apr-2007
Area Scan : 5x9x1 : Measurement x=10mm, y=10mm, z=4mm
Zoom Scan : 9x9x13 : Measurement x=4mm, y=4mm, z=2.5mm

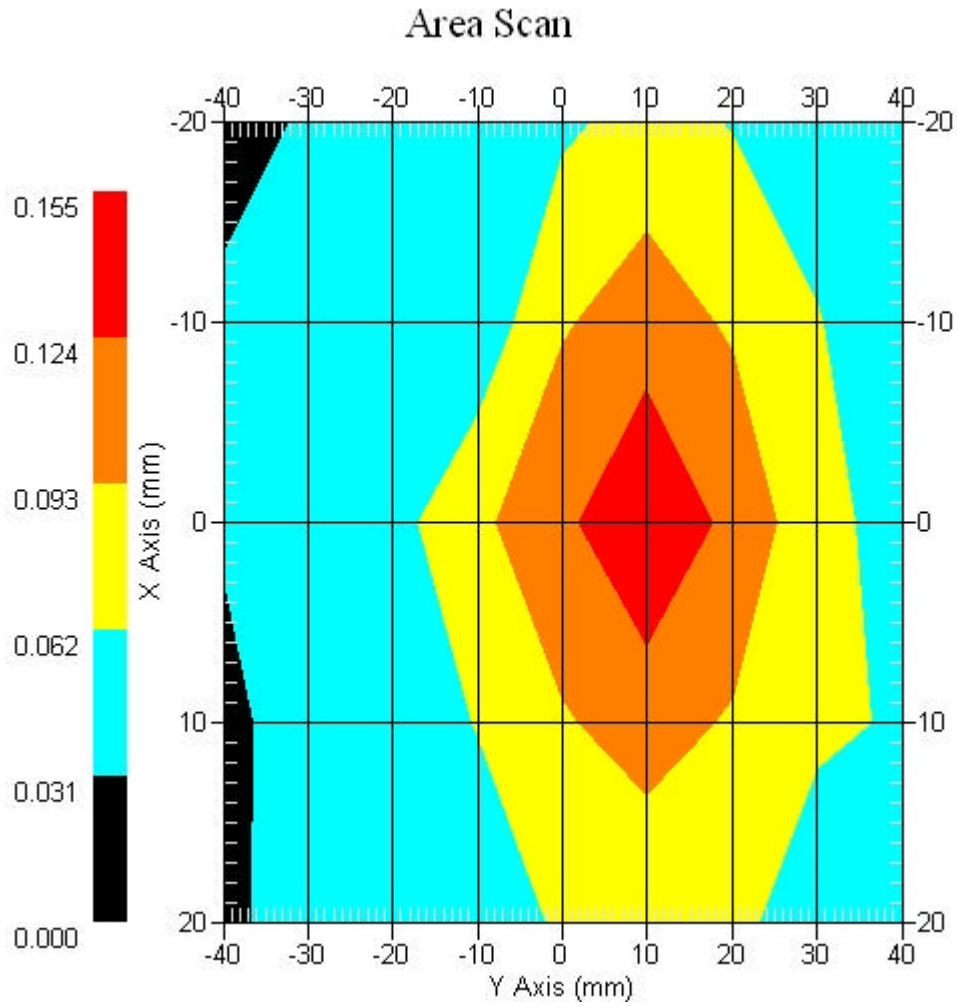
DUT Position : Touch
Channel : High - 5320MHz

Power Drift-Start : 0.138 W/kg
Power Drift-Finish: 0.135 W/kg
Power Drift (%) : -1.956



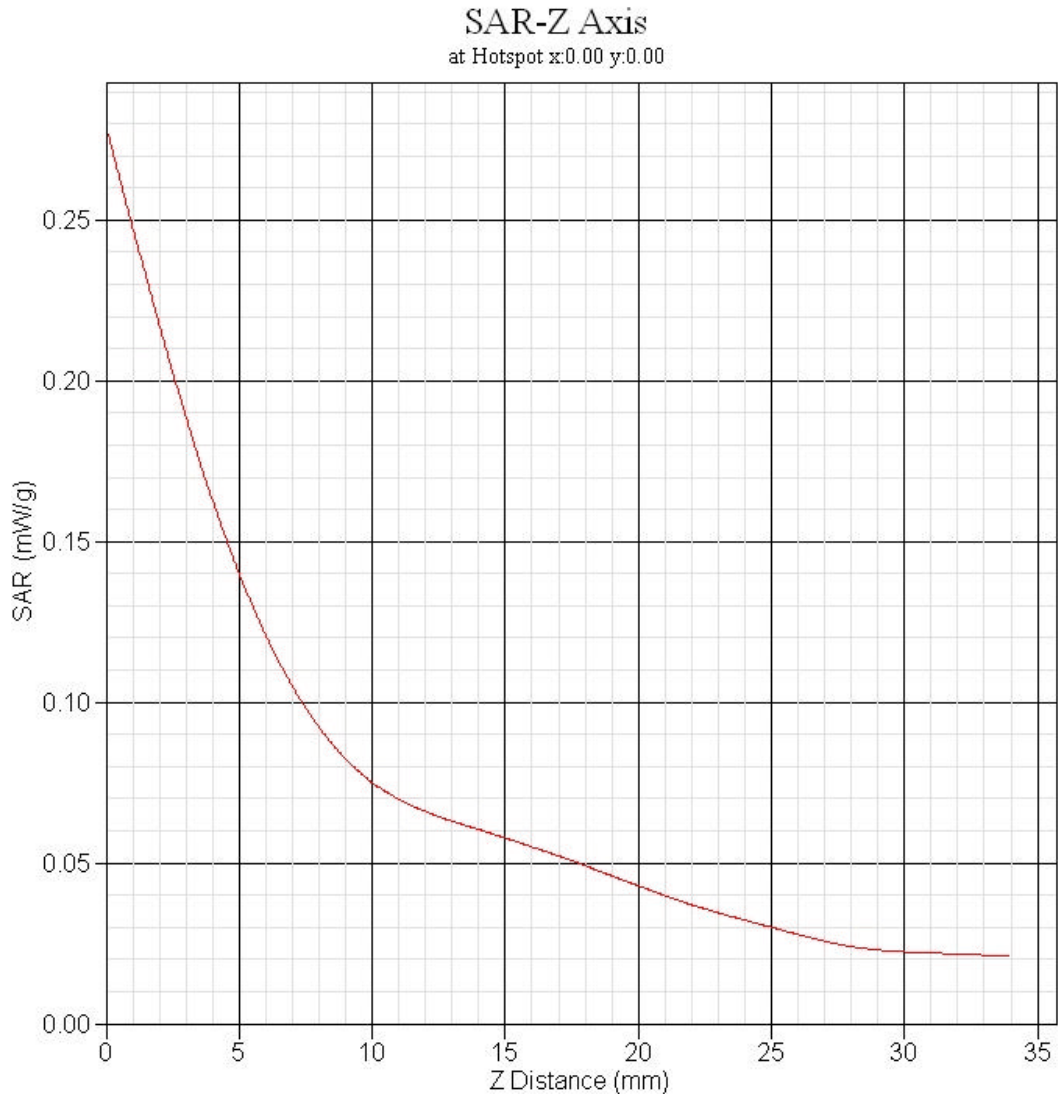
1 gram SAR value : 0.136 W/kg
10 gram SAR value : 0.059 W/kg
Area Scan Peak SAR : 0.154 W/kg
Zoom Scan Peak SAR : 0.279 W/kg

Area Scan Plot



5.5 Z-Axis plot

Frequency: 5200 MHz 802.11a Main Ant. , EUT Position: Back





6 5800MHz WLAN + BT SAR measurement Data

SAR Test Report

Report Date : 26-Apr-2007
Measurement Date : 26-Apr-2007

Product Data

Device Name : V100
Serial No. : 11.a-Back
Type : Other
Frequency : 5800.00 MHz
Drift Time : 0 min(s)
Length : 225 mm
Width : 290 mm
Depth : 5 mm
Antenna Type : Internal

Phantom Data

Name : APREL-Uni
Type : Uni-Phantom
Size (mm) : 280 x 280 x 200
Location : Center

Tissue Data

Type : BODY
Serial No. : 5800-B-AU-19
Frequency : 5800.00 MHz
Last Calib. Date : 26-Apr-2007
Temperature : 21.00 °C
Ambient Temp. : 21.30 °C
Humidity : 48.00 RH%
Epsilon : 47.10 F/m
Sigma : 6.11 S/m
Density : 1000.00 kg/cu. m

Probe Data

Name : E-field Probe
Model : ALS-E-020
Type : E-Field Triangle
Serial No. : 266
Last Calib. Date : 22-Jun-2006
Frequency : 5800.00 MHz
Duty Cycle Factor: 1
Conversion Factor: 4.2
Probe Sensitivity: 1.20 1.20 1.20 $\mu\text{V}/(\text{V}/\text{m})^2$
Compression Point: 95.00 mV
Offset : 2.44 mm

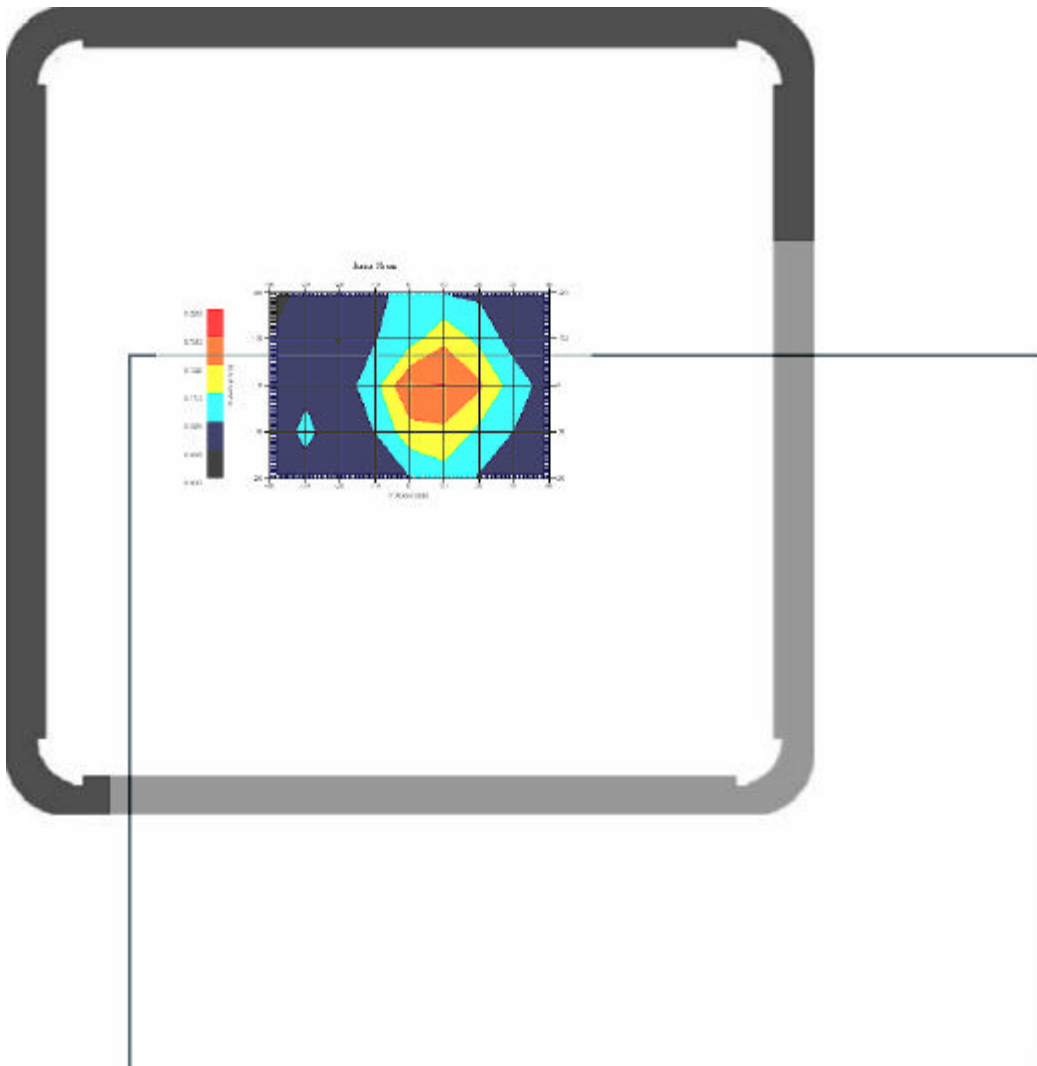
6.1 5800 MHz 802.11a Main Ant. , EUT Position: Back

Measurement Data

Crest Factor : 1
Set-up Date : 26-Apr-2007
Area Scan : 5x9x1 : Measurement x=10mm, y=10mm, z=4mm
Zoom Scan : 9x9x13 : Measurement x=4mm, y=4mm, z=2.5mm

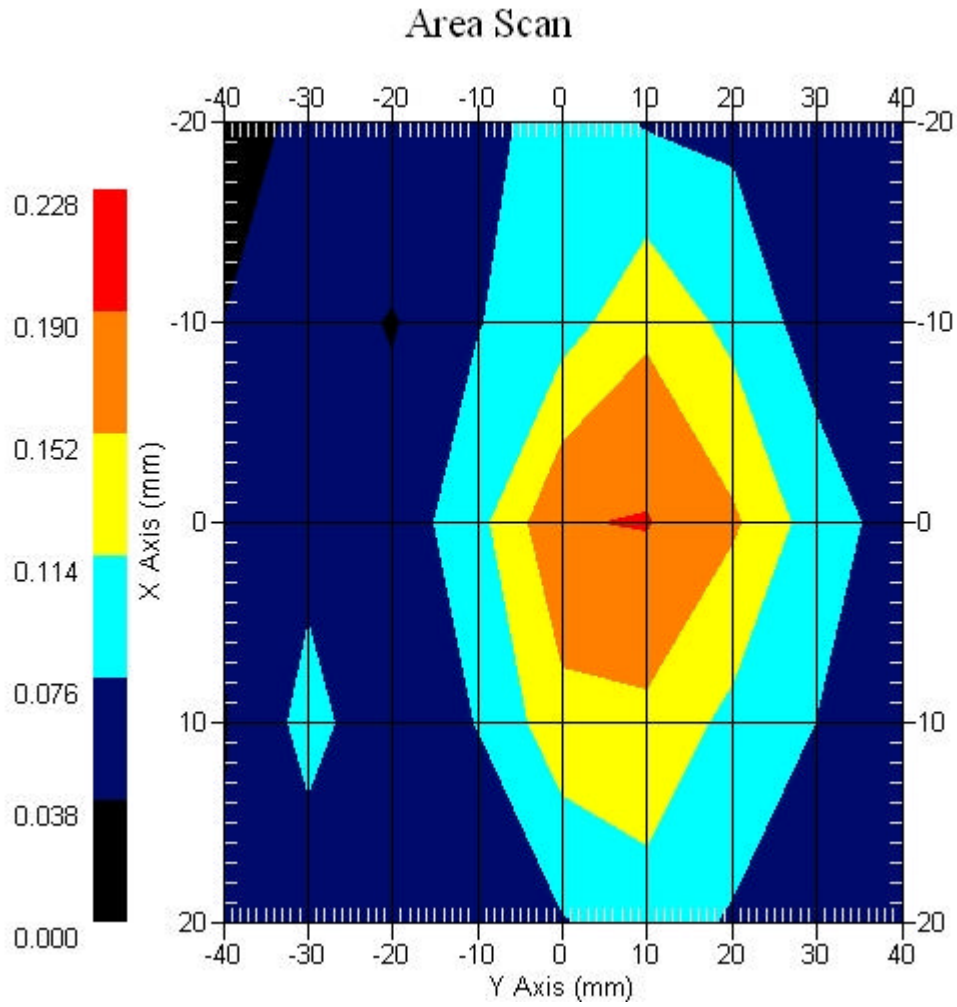
DUT Position : Touch
Channel : Low - 5745MHz

Power Drift-Start : 0.197 W/kg
Power Drift-Finish: 0.194 W/kg
Power Drift (%) : -1.446



1 gram SAR value : 0.204 W/kg
10 gram SAR value : 0.091 W/kg
Area Scan Peak SAR : 0.192 W/kg
Zoom Scan Peak SAR : 0.530 W/kg

Area Scan Plot



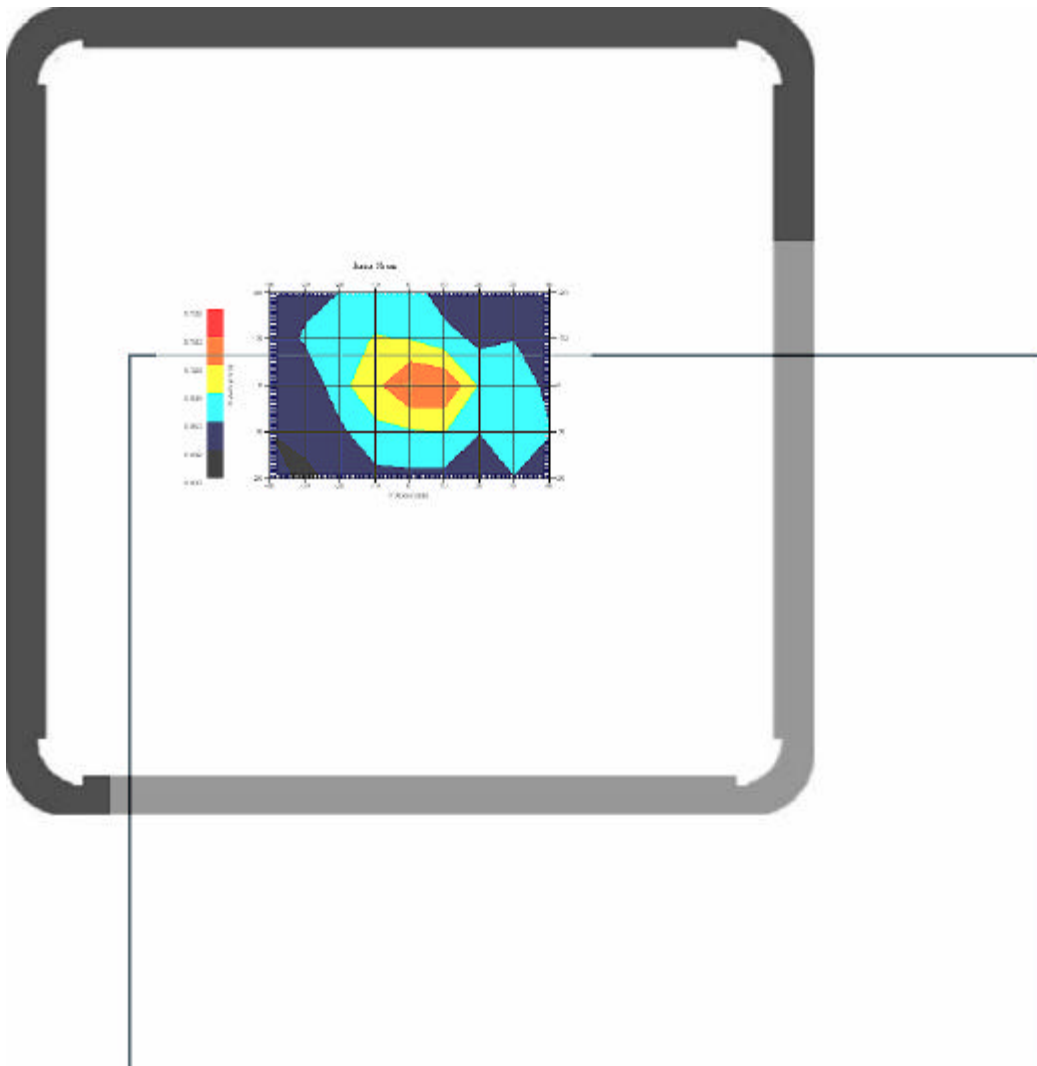
6.2 5800 MHz 802.11a Main Ant. , EUT Position: Back

Measurement Data

Crest Factor : 1
Set-up Date : 26-Apr-2007
Area Scan : 5x9x1 : Measurement x=10mm, y=10mm, z=4mm
Zoom Scan : 9x9x13 : Measurement x=4mm, y=4mm, z=2.5mm

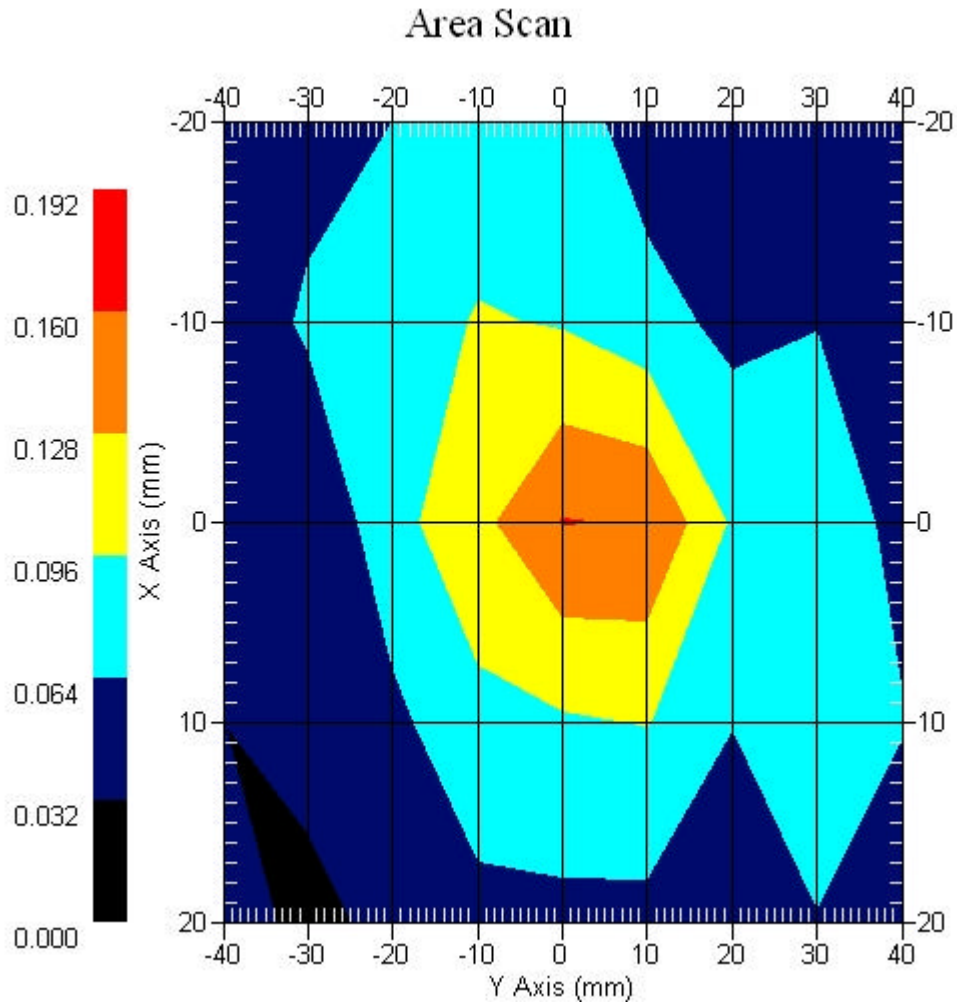
DUT Position : Touch
Channel : Mid - 5785MHz

Power Drift-Start : 0.145 W/kg
Power Drift-Finish: 0.142 W/kg
Power Drift (%) : -1.931



1 gram SAR value : 0.156 W/kg
10 gram SAR value : 0.088 W/kg
Area Scan Peak SAR : 0.161 W/kg
Zoom Scan Peak SAR : 0.210 W/kg

Area Scan Plot



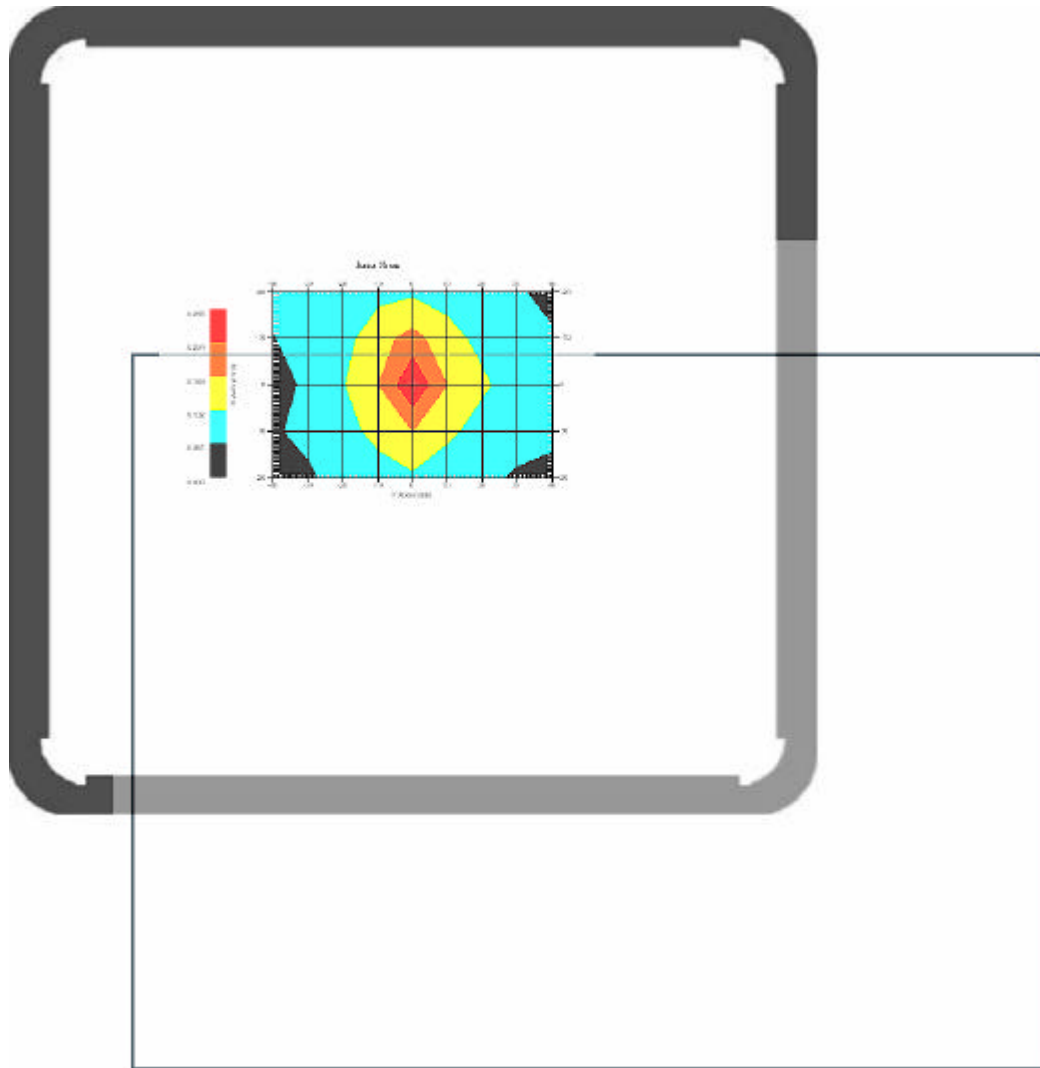
6.3 5800 MHz 802.11a Main Ant. , EUT Position: Back

Measurement Data

Crest Factor : 1
Set-up Date : 26-Apr-2007
Area Scan : 5x9x1 : Measurement x=10mm, y=10mm, z=4mm
Zoom Scan : 9x9x13 : Measurement x=4mm, y=4mm, z=2.5mm

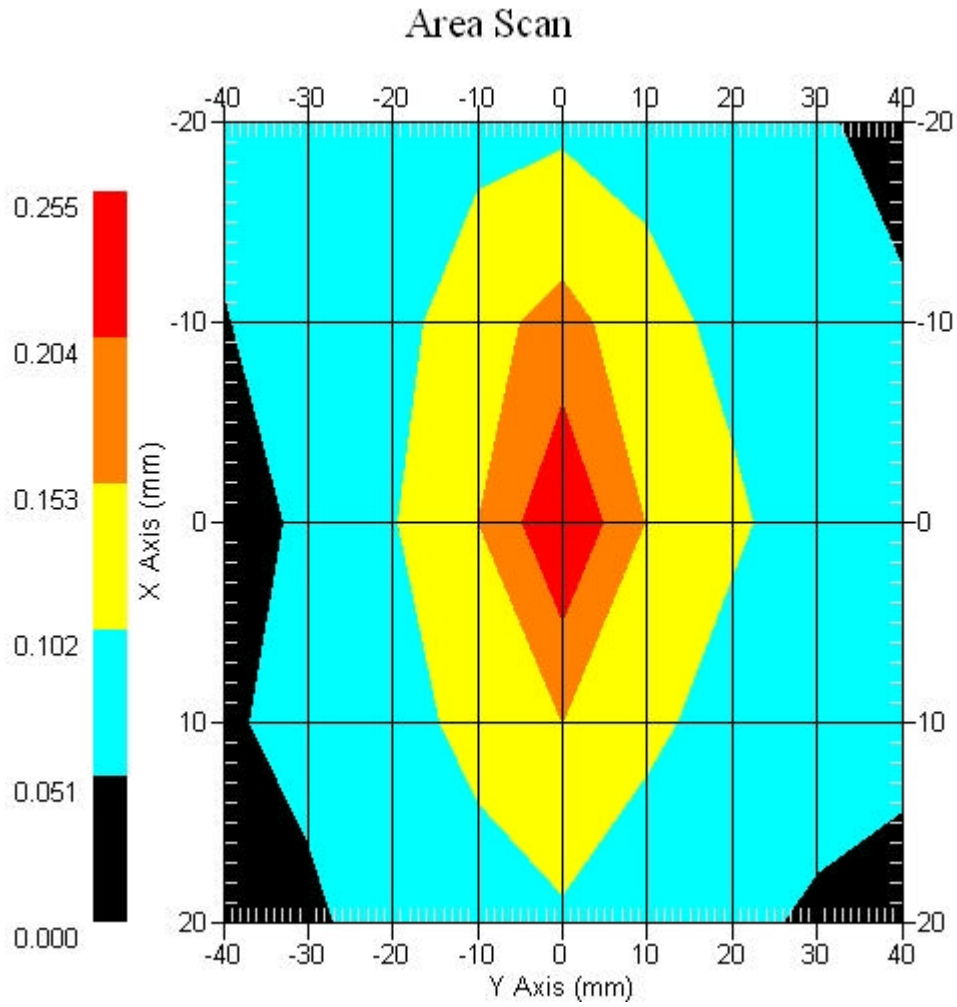
DUT Position : Touch
Channel : High - 5825MHz

Power Drift-Start : 0.159 W/kg
Power Drift-Finish: 0.162 W/kg
Power Drift (%) : 2.018



1 gram SAR value : 0.221 W/kg
10 gram SAR value : 0.105 W/kg
Area Scan Peak SAR : 0.253 W/kg
Zoom Scan Peak SAR : 0.590 W/kg

Area Scan Plot



6.4 Z-Axis plot

Frequency: 5800 MHz 802.11a Main Ant. , EUT Position: Back

