



Electromagnetic Compatibility Test Report

Tests Performed on RF IDEAS, Inc.

Dual Frequency Card Reader

Model RDR-30MH1DKU-WL-HP

Radiometrics Document RP-9688



<i>Product Detail:</i>		
FCC ID: M9MHP30300 IC: 6571A-HP30300 Equipment type: Dual Frequency Card Reader		
<i>Test Standards:</i>		
US CFR Title 47, Chapter I, FCC Part 15 Subpart C FCC Part 15 CFR Title 47: 2022 Canada ISED; RSS-GEN, Issue 5: 2021 Canada ISED; RSS-210, Issue 10: 2020		
This report concerns: Original Grant FCC Parts 15.209 and 15.225		
<i>Tests Performed For:</i>		<i>Test Facility:</i>
rf IDEAS, Inc. 425 Martingale Road, Suite 1680 Schaumburg, IL 60148		Radiometrics Midwest Corporation 12 Devonwood Avenue Romeoville, IL 60446
<i>Test Completion Date</i>		
September 26, 2022		
Document RP-9688 Revisions:		
Rev.	Issue Date	Revised By
0	October 12, 2022	



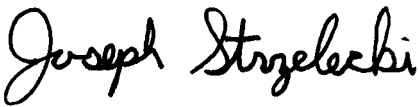
Table of Contents

1.0 ADMINISTRATIVE DATA.....	3
2.0 TEST SUMMARY AND RESULTS.....	3
2.1 RF Exposure Compliance Requirements.....	4
3.0 EQUIPMENT UNDER TEST (EUT) DETAILS.....	4
3.1 EUT Description.....	4
3.1.1 FCC Section 15.203 & RSS-GEN Antenna Requirements.....	4
3.2 Related Submittals.....	4
4.0 TESTED SYSTEM DETAILS.....	4
4.1 Tested System Configuration.....	4
4.2 Special Accessories.....	5
4.3 Equipment Modifications.....	5
5.0 TEST SPECIFICATIONS.....	5
6.0 TEST PROCEDURE DOCUMENTS.....	5
7.0 RADIOMETRICS' TEST FACILITIES.....	5
8.0 DEVIATIONS AND EXCLUSIONS FROM THE TEST SPECIFICATIONS.....	6
9.0 CERTIFICATION.....	6
10.0 TEST EQUIPMENT TABLE.....	6
11.0 TEST SECTIONS.....	7
11.1 AC Conducted Emissions.....	7
11.2 Radiated RF Emissions.....	10
11.2.1 Field Strength Calculation.....	11
11.2.2 Radiated Emissions Test Results (30-1000 MHz).....	11
11.3 Magnetic Field Measurements and Decay Factor Calculations.....	15
11.3.1 Radiated Emissions Tests Results (0.009 to 30 MHz).....	16
11.4 Occupied Bandwidth Data.....	17
11.5 Frequency Stability.....	19
11.5.1 Test Results for Frequency Stability.....	19
12.0 MEASUREMENT INSTRUMENTATION UNCERTAINTY.....	20
13.0 REVISION HISTORY.....	20

Notice: This report must not be reproduced (except in full) without the written approval of Radiometrics Midwest Corporation.



1.0 ADMINISTRATIVE DATA

<i>Equipment Under Test:</i> A RF IDEas, Inc., Dual Frequency Card Reader Model: RDR-30MH1DKU-WL-HP; Serial Number: 2 This will be referred to as the EUT in this Report	
<i>Date EUT Received at Radiometrics:</i> August 9, 2022	<i>Test Date(s):</i> August 22 through September 26, 2022
<i>Test Report Written and Authorized By:</i> Joseph Strzelecki Senior EMC Engineer	<i>Test Witnessed By:</i> The tests were partially witnessed by Shiung Lo rf IDEas, Inc.
<i>Radiometrics' Personnel Responsible for Test:</i>  10/12/2022 Date Joseph Strzelecki Senior EMC Engineer NARTE EMC-000877-NE Chris Dalessio EMC Technician	<i>EUT Checked By:</i> Joseph Strzelecki Radiometrics The above personnel certifies: (1) The EUT had no loss of performance beyond the manufacture's performance level during the immunity tests. (2) A functional test was performed on the EUT after the immunity tests and no damage was sustained.

2.0 TEST SUMMARY AND RESULTS

The EUT (Equipment Under Test) is a Dual Frequency Card Reader with bluetooth, Model RDR-30MH1DKU-WL-HP, manufactured by RF IDEas, Inc. The detailed test results are presented in a separate section. The following is a summary of the test results.

Emissions Tests Results

Environmental Phenomena	Frequency Range	Basic Standard	Test Result
RF Radiated Emissions	30-1000 MHz	RSS-210 & FCC Part 15	Pass
Conducted Emissions, AC Mains	0.15 - 30 MHz	RSS-210 & FCC Part 15	Pass
RF Radiated Emissions H-Field	0.009 – 30 MHz	RSS-210 & FCC Part 15	Pass
Occupied Bandwidth	125 kHz and 13.56 MHz	RSS-210 & FCC Part 15	Pass
Frequency Stability vs Temp & Voltage	13.56 MHz	RSS-210 & FCC Part 15	Pass



2.1 RF Exposure Compliance Requirements

Since the effective radiated power output is less than 1 mW, the EUT meets the FCC requirement for RF exposure and is exempt from RSS-102. There are no power level adjustments, and the antenna is permanently attached. The detailed calculations for RF Exposure are presented in a separate document.

3.0 EQUIPMENT UNDER TEST (EUT) DETAILS

3.1 EUT Description

The EUT is a dual frequency card reader, Model RDR-30MH1DKU-WL-HP, manufactured by RF IDEas, Inc. It is a Wave ID mobile SP keystroke MIFARE Secure & Wave Lynx HP HIP2 Black USB reader. The EUT was in good working condition during the tests, with no known defects.

Product information	
Model Number	RDR-30MH1DKU-WL-HP
Firmware Version	L5C250100UBP32M-16422.H/LNR020600
Software Version	5.3.3

3.1.1 FCC Section 15.203 & RSS-GEN Antenna Requirements

The antenna is permanently attached to the PCB. The antenna is internal to the EUT, and it is not readily available to be modified by the end user.

3.2 Related Submittals

RF IDEas, Inc. is not submitting any other products simultaneously for equipment authorization related to the EUT.

4.0 TESTED SYSTEM DETAILS

4.1 Tested System Configuration

The system was configured for testing in a typical fashion. The EUT was placed on an 80-cm high, nonconductive test stand. The testing was performed in conditions as close as possible to installed conditions. The wiring was consistent with the manufacturer’s recommendations. Power was supplied at 115 VAC, 60 Hz single-phase to the host computer. The EUT was powered from the USB port.

The identification for all equipment, plus descriptions of all cables used in the tested system, are:

Tested System Configuration List

Item	Description	Type*	Manufacturer	Model Number	Serial Number
1	RFID Card Reader	E	RF IDEas	RDR-30MH1DKU-WL-HP	2
3	Latitude Laptop PC	H	HP	Elite x2	5CG545482P
4	Laptop AC-DC power supply	P	HP	854055-002	A000133

* Type: E = EUT, P = Peripheral, S = Support Equipment; H = Host Computer



List of Cables

QTY	Length (m)	Cable Description	Shielded?
1	1.8	USB Cable from Reader to Host computer	Yes
1	1.2	AC Cord to AC-DC power supply to host computer	No
1	1.5	DC Cord to Computer	No

4.2 Special Accessories

No special accessories were used during the tests in order to achieve compliance.

4.3 Equipment Modifications

No modifications were made at Radiometrics in order to meet the requirements listed in this report.

5.0 TEST SPECIFICATIONS

Document	Date	Title
FCC CFR Title 47	2022	Code of Federal Regulations Title 47, Chapter 1, Federal Communications Commission, Part 15 - Radio Frequency Devices
IC RSS-210 Issue 10	2020	Low Power Licence-Exempt Radiocommunication Devices (All Frequency Bands) Category I Equipment
IC RSS-Gen Issue 5	2021	General Requirements and Information for the Certification of Radiocommunication Equipment (RSS-Gen)

6.0 TEST PROCEDURE DOCUMENTS

The tests were performed using the procedures from the following specifications:

Document	Date	Title
ANSI C63.4-2014	2014	Methods of Measurement of Radio Noise Emissions from Low-Voltage Electrical and Electronic Equipment in the Range of 9 kHz to 40 GHz
ANSI C63.10-2013	2013	American National Standard for Testing Unlicensed Wireless Devices

7.0 RADIOMETRICS' TEST FACILITIES

The results of these tests were obtained at Radiometrics Midwest Corp. in Romeoville, Illinois, USA. Radiometrics is accredited by A2LA (American Association for Laboratory Accreditation) to conform to ISO/IEC 17025: 2017 "General Requirements for the Competence of Calibration and Testing Laboratories". Radiometrics' Lab Code is 121191 and Certification Number is 1495.01. Radiometrics' scope of accreditation includes all of the test methods listed herein. A copy of the accreditation can be accessed on our web site (www.radiomet.com). Radiometrics accreditation status can be verified at A2LA's web site (www.a2la2.org).

The following is a list of shielded enclosures located in Romeoville, Illinois used during the tests:

Chamber E: Is a custom-made anechoic chamber that measures 52' L X 30' W X 18' H. The walls and ceiling are fully lined with RF absorbers. Pro-shield of Collinsville, Oklahoma manufactured the chamber.



Test Station F: Is an area that measures 10' D X 12' W X 10' H. The floor and back wall are metal shielded. This area is used for conducted emissions measurements.

A separate ten-foot long, brass plated, steel ground rod attached via a 6-inch copper braid grounds each of the above chambers. Each enclosure is also equipped with low-pass power line filters.

The FCC has accepted these sites as test site number US1065. The FCC test site Registration Number is 732175. Details of the site characteristics are on file with the Industry Canada as site number IC8727A-1.

A complete list of the test equipment is provided herein. The calibration due dates are indicated on the equipment list. The equipment is calibrated in accordance with ANSI/NCSL Z540-1 with traceability to the National Institute of Standards and Technology (NIST).

8.0 DEVIATIONS AND EXCLUSIONS FROM THE TEST SPECIFICATIONS

There were no deviations or exclusions from the test specifications.

9.0 CERTIFICATION

Radiometrics Midwest Corporation certifies that the data contained herein was taken under conditions that meet or exceed the requirements of the test specification. The results relate only to the EUT listed herein. Any modifications made to the EUT subsequent to the indicated test date will invalidate the data and void this certification.

10.0 TEST EQUIPMENT TABLE

Table with 8 columns: RMC ID, Manufacturer, Description, Model No., Serial No., Frequency Range, Cal Period, Cal Date. Rows include various antennas, filters, LISN, spectrum analyzers, and temperature measurement equipment.

Note: All calibrated equipment is subject to periodic checks.

Table with 4 columns: Software Company, Test Software Name, Version, Applicable Tests. Rows list software from Radiometrics and Agilent used for RF emissions testing.



11.0 TEST SECTIONS

11.1 AC Conducted Emissions

The tests and limits are in accordance with FCC section 15.207 and RSS Gen section 8.8.

A computer-controlled analyzer was used to perform the conducted emissions measurements. The frequency range was divided into 500 subranges equally spaced on a logarithmic scale. The computer recorded the peak of each subrange. This data was then plotted on a semi-log graph generated by the computer. Adjusting the positions of the cables and orientation of the test system then maximizes the highest emissions.

Mains Conducted emission measurements were performed using a 50 Ohm/50 uH Line Impedance Stabilization Network (LISN) as the pick-up device. Measurements were repeated on both leads within the power cord. If the EUT power cord exceeded 80 cm in length, the excess length of the power cord was made into a 30 to 40 cm bundle near the center of the cord. The LISN was placed on the floor at the base of the test platform and electrically bonded to the ground plane.

FCC/IC Limits of Conducted Emissions at the AC Mains Ports

Frequency Range (MHz)	Class B Limits (dBuV)	
	Quasi-Peak	Average
0.150 - 0.50*	66 - 56	56 - 46
0.5 – 5.0	56	46
5.0 - 30	60	50

* The limit decreases linearly with the logarithm of the frequency in this range.

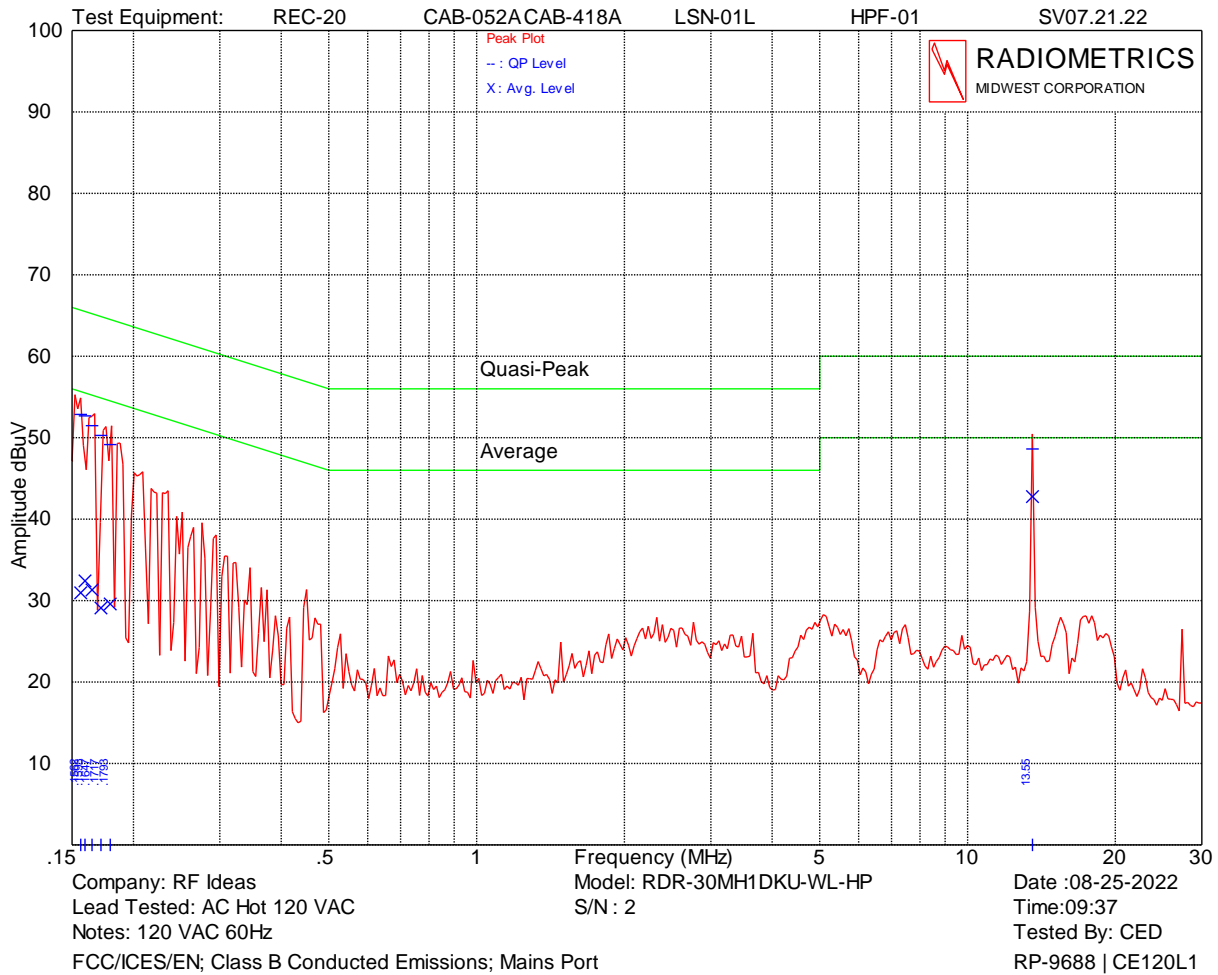
The initial step in collecting conducted data is a peak detector scan and the plotting of the measurement range. Significant peaks are then marked as shown on the following table, and these signals are then measured with the quasi-peak detector. The following represents the worst case emissions from the host computer (with the EUT connected) power cord, after testing all modes of operation.



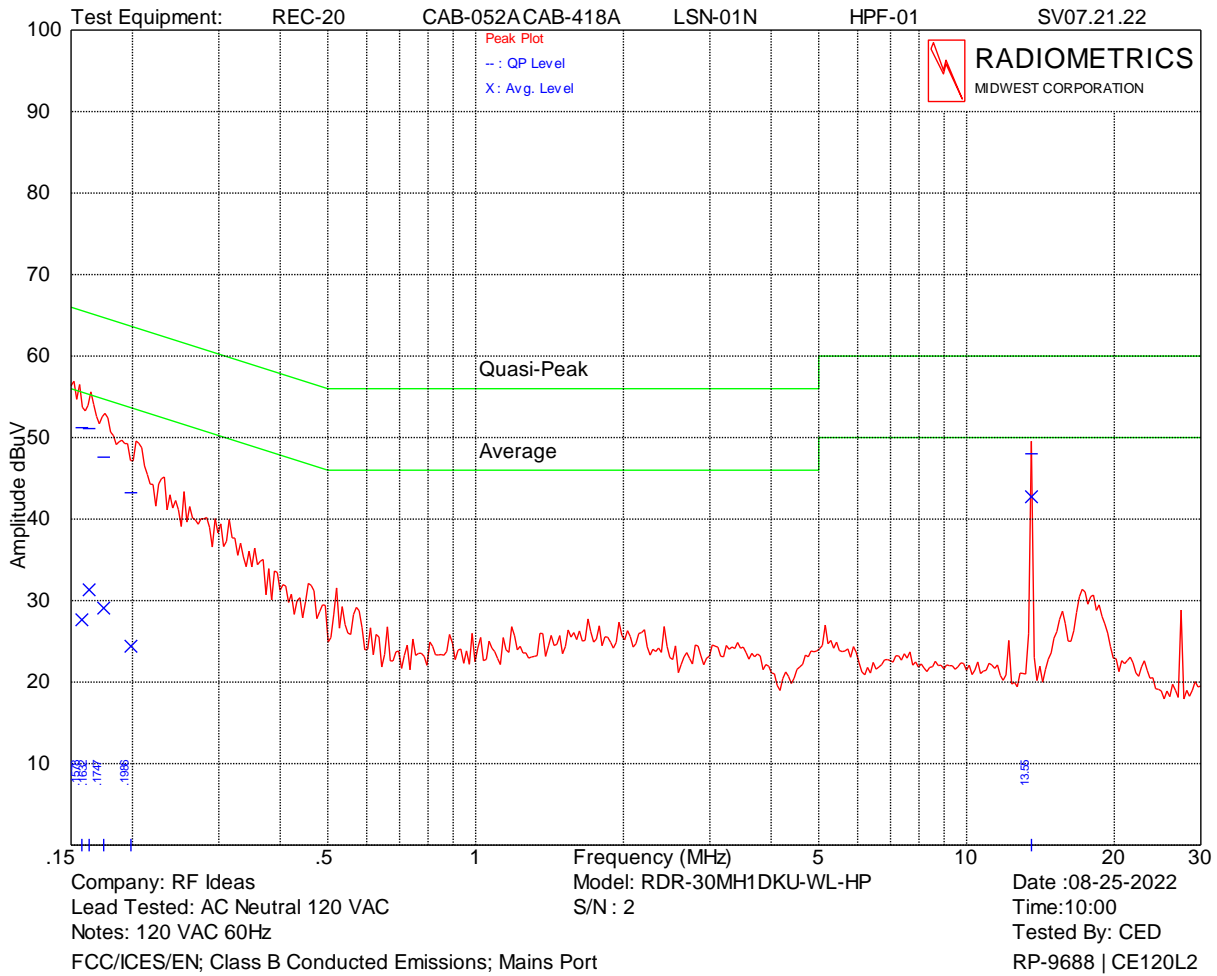
Test Date : August 25, 2022

QP readings are quasi-peak with a 9 kHz bandwidth and no video filter.

The Limit shown above is RSS-GEN Table 3.



Frequency (MHz)	QP Amplitude (dBuV)	QP Limit (dBuV)	Average Amplitude (dBuV)	Average Limit (dBuV)	Margin (dB)
0.156	52.9	65.7	31.0	55.7	12.8
0.159	52.7	65.5	32.4	55.5	12.8
0.165	51.5	65.2	31.3	55.2	13.8
0.172	50.3	64.9	29.1	54.9	14.6
0.179	49.2	64.5	29.6	54.5	15.4
13.559	48.0	60.0	43.0	50.0	7.0

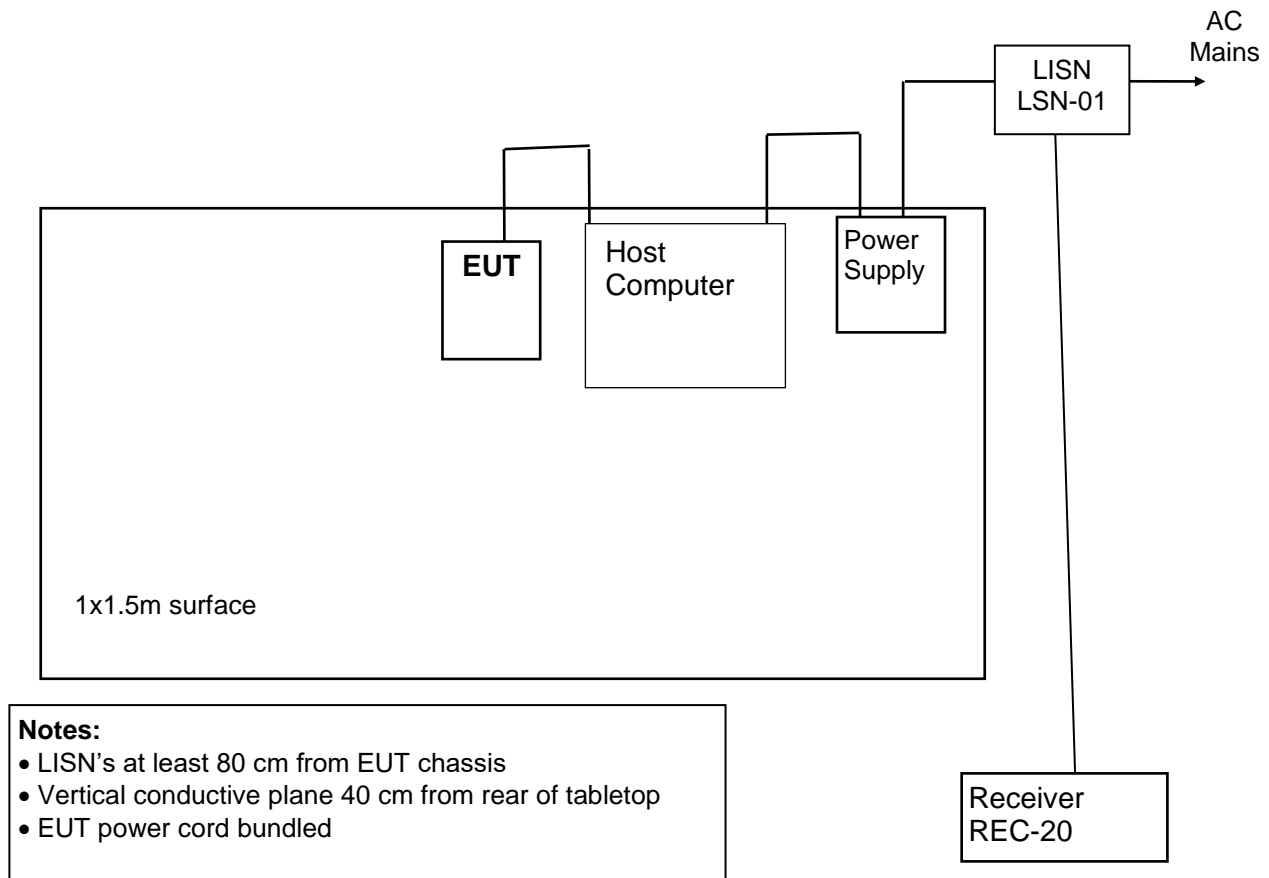


Frequency (MHz)	QP Amplitude (dBuV)	QP Limit (dBuV)	Average Amplitude (dBuV)	Average Limit (dBuV)	Margin (dB)
0.158	51.2	65.6	27.7	55.6	14.4
0.163	51.1	65.3	31.3	55.3	14.2
0.175	47.6	64.7	29.1	54.7	17.1
0.199	43.2	63.7	24.4	53.7	20.4
13.559	48.0	60.0	42.7	50.0	7.3

Judgment: Passed by at least 6 dB.



Figure 1. Conducted Emissions Test Setup



11.2 Radiated RF Emissions

Radiated emission measurements were performed with linearly polarized broadband antennas. The results obtained with these antennas can be correlated with results obtained with a tuned dipole antenna. The radiated emission measurements were performed with a spectrum analyzer. The bandwidth used from 150 kHz to 30 MHz is 9 kHz and the bandwidth from 30 MHz to 1000 MHz is 120 kHz. Above 1 GHz, a 1 MHz bandwidth is used. A 10 dB linearity check is performed prior to start of testing in order to determine if an overload condition exists. Figure 4 herein lists the details of the test equipment used during radiated emissions tests.

Final radiated emissions measurements were performed inside of an anechoic chamber at a test distance of 3 meters. The anechoic chamber is designated as Chamber E. This Chamber meets the Site Attenuation requirements of ANSI C63.4 and CISPR 16-1. Chamber E is located at 12 Devonwood Ave. Romeoville, Illinois EMI test lab.

The entire frequency range from 30 to 1000 MHz was slowly scanned with particular attention paid to those frequency ranges which appeared high. Measurements were performed using two antenna polarizations, (vertical and horizontal). The worst case emissions were recorded. All measurements may be performed using either the peak, average or quasi-peak detector functions. If the peak detector data exceeds or is marginally close to the limits, the measurements are repeated using a quasi-peak detector or average function as required by the specification for final determination of compliance.



The detected emission levels were maximized by rotating the EUT, adjusting the positions of all cables, and by scanning the measurement antenna from 1 to 4 meters above the ground.

Radiated Emissions Field Strength Limits

Table with 4 columns: Frequency Range (MHz), Test Distance (meters), Class B Limits (uV/m), and Class B Limits (dB(uV/m)). Rows include frequency ranges from 0.009-0.490 MHz to Above 960 MHz.

The emission limits shown in the above table are based on measurements using a CISPR quasi-peak detector except for the frequency bands 9-90 kHz, 110-490 kHz and above 1000 MHz. Radiated emission limits in these three bands are based on measurements employing an average detector.

11.2.1 Field Strength Calculation

The field strength is calculated by adding the Antenna Factor and Cable Attenuation Factor, and by subtracting the Amplifier Gain from the measured reading. Each antenna, cable and amplifier has individual factors across its usable frequency range. The antenna factor converts the voltage reading in dBuV to field strength in dBuV/meter. The equation is as follows:

FS = RA + AF + CF - AG

- Where: FS = Field Strength in dBuV/m
RA = Receiver Amplitude in dBuV
AF = Antenna Factor in dB/m
CF = Cable Attenuation Factor in dB
AG = Amplifier Gain in dB

11.2.2 Radiated Emissions Test Results (30-1000 MHz)

Summary table with 2 columns: Test Date (August 22, 2022), Test Distance (3 Meters), Specification (FCC Part 15 Subpart C & RSS-210), Notes, and Abbreviations (P = peak; Q = QP Pol = Antenna Polarization; V = Vertical; H = Horizontal).

Main test results table with 10 columns: EUT (RDR-30MH1DKU-WL-HP; Serial Number 2), Freq. MHz, Meter Reading dBuV, Dect., Ant. Pol., Ant Factor dB/m, Cable Factors dB, Dist. Fact dB, EUT dBuV/m, Limit dBuV/m, Margin Under Limit dB. Rows list frequencies from 40.6 MHz to 122.7 MHz.



EUT		RDR-30MH1DKU-WL-HP; Serial Number 2							
Freq. MHz	Meter Reading dBuV	Decet.	Ant. Pol.	Ant Factor dB/m	Cable Factors dB	Dist. Fact dB	EUT dBuV/m	Limit dBuV/m	Margin Under Limit dB
135.1	10.3	P	H	12.4	1.3	0.0	24.0	43.5	19.5
146.6	13.1	P	H	12.7	1.3	0.0	27.1	43.5	16.4
171.1	13.6	P	H	13.3	1.4	0.0	28.3	43.5	15.2
189.9	19.4	P	H	13.9	1.5	0.0	34.8	43.5	8.7
189.9	18.9	Q	H	13.9	1.5	0.0	34.3	43.5	9.2
218.0	11.6	P	H	14.8	1.6	0.0	28.0	46.0	18.0
237.9	11.9	P	H	15.1	1.7	0.0	28.7	46.0	17.3
259.1	16.3	P	H	12.2	1.8	0.0	30.3	46.0	15.7
274.0	14.1	P	H	12.8	1.8	0.0	28.7	46.0	17.3
289.1	12.4	P	H	13.5	1.8	0.0	27.7	46.0	18.3
325.4	17.0	P	H	14.2	2.0	0.0	33.2	46.0	12.8
348.9	13.9	P	H	14.4	2.1	0.0	30.4	46.0	15.6
352.7	14.1	P	H	14.4	2.1	0.0	30.6	46.0	15.4
379.7	12.9	P	H	14.8	2.1	0.0	29.8	46.0	16.2
406.9	17.4	P	H	15.5	2.2	0.0	35.1	46.0	10.9
420.3	12.6	P	H	15.7	2.3	0.0	30.6	46.0	15.4
433.9	17.7	P	H	16.0	2.3	0.0	36.0	46.0	10.0
433.9	23.2	Q	H	16.0	2.3	0.0	41.5	46.0	4.5
461.1	15.8	P	H	16.8	2.4	0.0	35.0	46.0	11.0
581.1	14.3	P	H	18.6	2.7	0.0	35.6	46.0	10.4
596.6	13.4	P	H	18.7	2.7	0.0	34.8	46.0	11.2
627.1	13.6	P	H	19.1	2.8	0.0	35.5	46.0	10.5
639.1	14.6	P	H	19.4	2.8	0.0	36.8	46.0	9.2
705.2	14.4	P	H	21.3	3.0	0.0	38.7	46.0	7.3
732.2	15.7	P	H	21.0	3.0	0.0	39.7	46.0	6.3
743.7	16.5	P	H	20.9	3.1	0.0	40.5	46.0	5.5
753.3	16.0	P	H	20.9	3.1	0.0	40.0	46.0	6.0
760.8	15.7	P	H	21.0	3.1	0.0	39.8	46.0	6.2
894.9	12.3	P	H	22.8	3.4	0.0	38.5	46.0	7.5
968.0	9.7	P	H	23.5	3.5	0.0	36.7	54.0	17.3
40.6	21.8	P	V	11.1	0.7	0.0	33.6	40.0	6.4
52.3	22.3	P	V	9.5	0.8	0.0	32.6	40.0	7.4
54.3	23.3	P	V	9.4	0.8	0.0	33.5	40.0	6.5
67.8	19.0	P	V	9.2	0.9	0.0	29.1	40.0	10.9
75.4	12.6	P	V	9.3	0.9	0.0	22.8	40.0	17.2
92.8	16.4	P	V	9.9	1.0	0.0	27.3	43.5	16.2
108.5	17.3	P	V	10.9	1.1	0.0	29.3	43.5	14.2
123.4	11.7	P	V	11.8	1.2	0.0	24.7	43.5	18.8
136.6	11.9	P	V	12.4	1.3	0.0	25.6	43.5	17.9
147.5	11.4	P	V	12.7	1.3	0.0	25.4	43.5	18.1
160.3	12.1	P	V	13.0	1.4	0.0	26.5	43.5	17.0
171.8	11.8	P	V	13.3	1.4	0.0	26.5	43.5	17.0
189.9	18.8	P	V	13.9	1.5	0.0	34.2	43.5	9.3
204.8	12.4	P	V	14.5	1.6	0.0	28.5	43.5	15.0
215.2	12.4	P	V	14.8	1.6	0.0	28.8	43.5	14.7
236.6	12.2	P	V	15.1	1.7	0.0	29.0	46.0	17.0
569.6	15.8	P	V	18.4	2.7	0.0	36.9	46.0	9.1
581.1	15.1	P	V	18.6	2.7	0.0	36.4	46.0	9.6
596.6	15.8	P	V	18.7	2.7	0.0	37.2	46.0	8.8
623.6	15.0	P	V	19.1	2.8	0.0	36.9	46.0	9.1
735.7	17.0	P	V	21.0	3.1	0.0	41.1	46.0	4.9
752.8	16.8	P	V	20.9	3.1	0.0	40.8	46.0	5.2



EUT		RDR-30MH1DKU-WL-HP; Serial Number 2							
Freq. MHz	Meter Reading dBuV	Decet.	Ant. Pol.	Ant Factor dB/m	Cable Factors dB	Dist. Fact dB	EUT dBuV/m	Limit dBuV/m	Margin Under Limit dB
763.3	16.6	P	V	21.0	3.1	0.0	40.7	46.0	5.3
792.8	9.5	P	V	21.1	3.2	0.0	33.8	46.0	12.2
850.9	9.0	P	V	22.3	3.3	0.0	34.6	46.0	11.4
898.4	9.5	P	V	22.8	3.4	0.0	35.7	46.0	10.3
955.5	10.4	P	V	23.4	3.5	0.0	37.3	46.0	8.7

Where there is both peak and quasi peak data, the quasi-peak is the final determination of compliance.

Judgment: Passed by 4.5 dB

Radiated emissions in a graphical format. The following chart has the same data as the previous table.

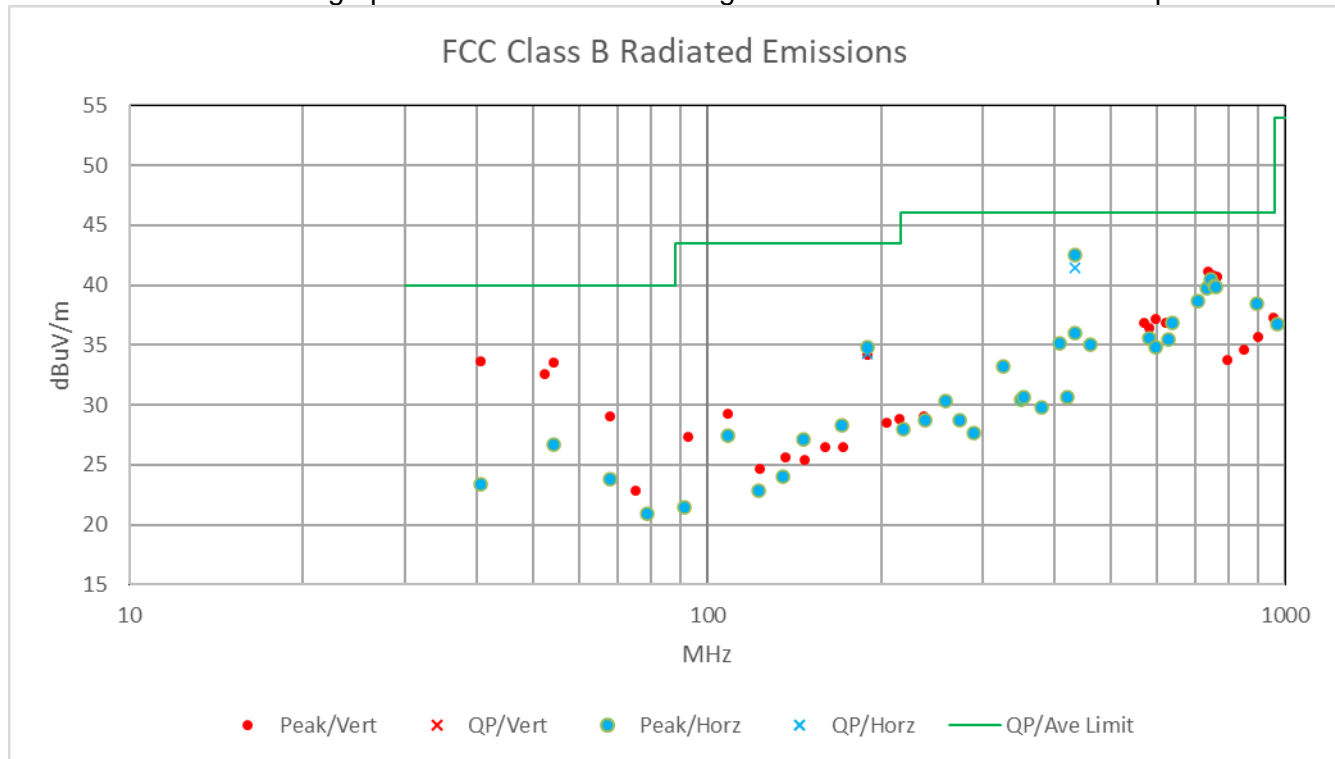
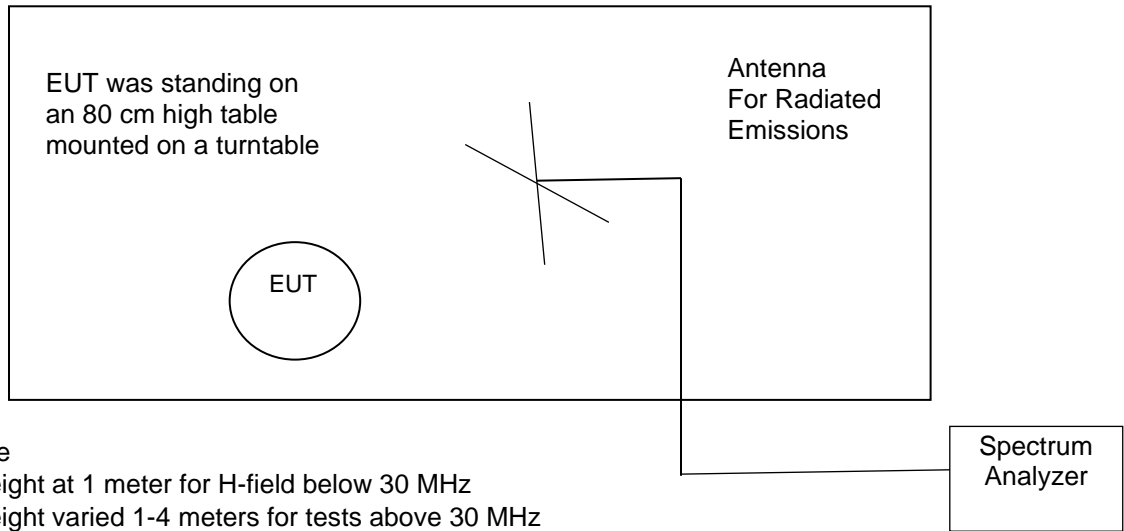




Figure 2. Drawing of Radiated Emissions Test Setup

Chamber E, anechoic



Notes:

- Not to Scale
- Antenna height at 1 meter for H-field below 30 MHz
- Antenna height varied 1-4 meters for tests above 30 MHz
- Distance from antenna to tested system is 3 meters
- AC cords not shown. They are connected to AC outlet with low-pass filter on turntable

Frequency Range	Receive Antenna	Pre-Amplifier	Spectrum Analyzer
0.01 to 30 MHz	ANT-53	None; Active Antenna	REC-21
30 to 200 MHz	ANT-80	Internal	REC-21
200 to 1000 MHz	ANT-68	Internal	REC-21

Figure 3. Radiated Emissions Test Setup for Frequencies Below 30MHz

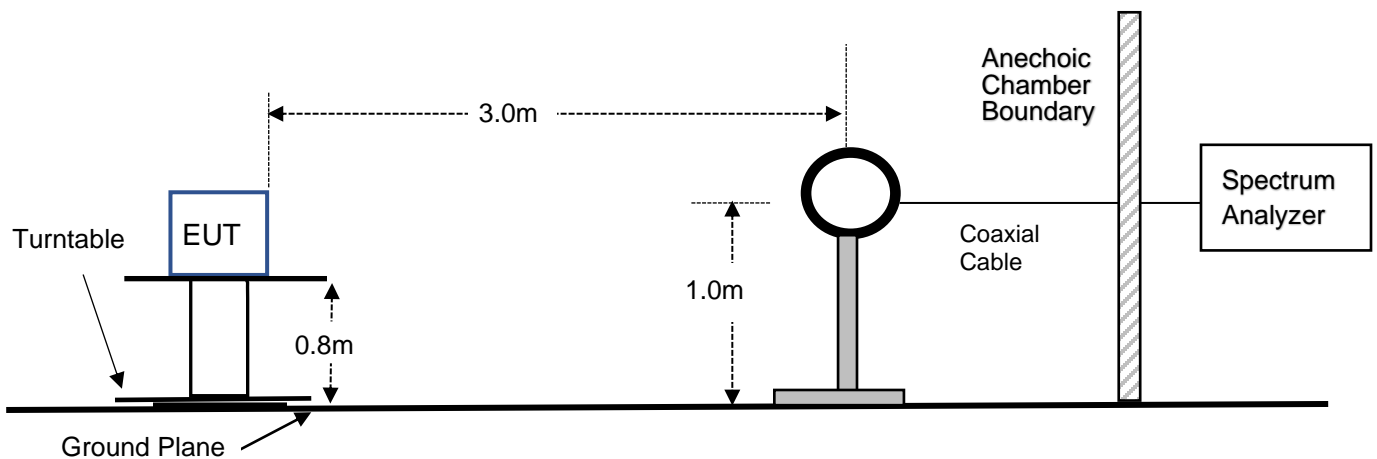
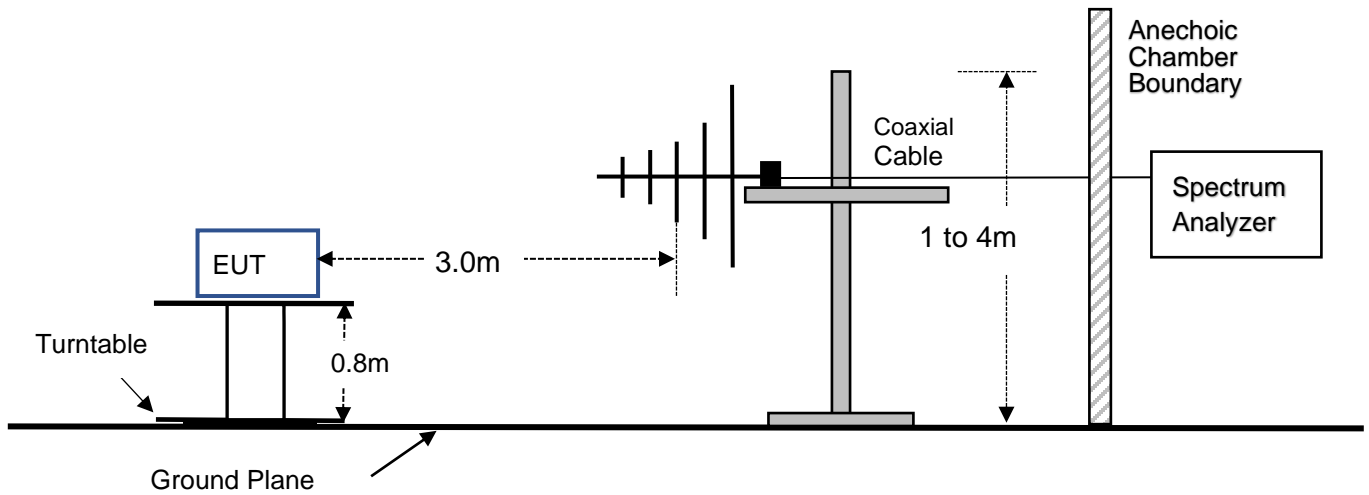




Figure 4. Radiated Emissions Test Setup for Frequencies from 30MHz to 1000MHz



11.3 Magnetic Field Measurements and Decay Factor Calculations

Radiated emission measurements are performed with an EMCO shielded loop antenna. The antenna and the EUT were rotated in order to find the maximize readings.

The distance correction factor is calculated as follows:

The distance factor in (dB) = $DE \cdot 20 \cdot \log(TD/SD)$

Where: DE = Decay Exponent (2.0 is used for this)

TD = Test distance in meters. This is 3 meters

SD = Specification Distance in meters

From 9 to 490 kHz, the SD = 300m, therefore the distance factor is $2 \cdot 20 \cdot \log(300/3) = 80$ dB.

From 0.49 to 30 MHz, the SD = 30m, therefore the distance factor is $2 \cdot 20 \cdot \log(30/3) = 40$ dB.



11.3.1 Radiated Emissions Tests Results (0.009 to 30 MHz)

Test Date	August 22, 2022
Test Distance	3 Meters
Specification	FCC 15 & RSS-GEN
Product	Model: RDR-30MH1DKU-WL-HP; S/N 2

Freq (kHz)	Peak reading dBuV	Loop Ant Factor dB/m	Test Dist. (m)	Decay exp	Cable Loss dB	FCC Distance factor dB	Field Strength dBuV/m	RSS & FCC Limit dBuV/m	Margin under limit	Notes
125.0	59.4	18.9	3.0	2.0	0.1	-80.0	-1.6	25.7	27.3	
250.0	36.2	18.6	3.0	2.0	0.1	-80.0	-25.1	19.6	44.7	
375.0	34.6	18.4	3.0	2.0	0.1	-80.0	-26.9	16.1	43.0	
500.0	31.8	18.3	3.0	2.0	0.1	-40.0	10.2	33.6	23.4	
13560	50.1	16.0	3.0	2.0	0.4	-40.0	26.5	40.5	14.0	
27120	21.2	15.3	3.0	2.0	0.5	-40.0	-3.0	29.5	32.5	
Column numbers										
1	2	3	4	5	6	7	8	9	10	11

Notes on Columns:

- Column #1. Frequency of Tested Emission.
- Column #2. Uncorrected readings from the spectrum analyzer (Peak)
- Column #3. Antenna factor converts dBuV to dBuV/m
- Column #4. Test Distance in meters
- Column #5. Decay Exponent
- Column #6. Cable Loss
- Column #7. Distance factor (dB) = (Decay Exponent)*20*Log(Test Distance/Specification Distance)
- Column #8. Total field strength. This = Columns 2 + 3 + 6 + 7
- Column #9. FCC and Canada Limit in dBuV/m
- Column #10. This is the margin under the limit for that row.
- Column #11. The EUT (Equipment Under Test) is the product tested.

The limit shown at 13.56 MHz in the above table is the lowest limit from 15.225 sections (a), (b) and (c).

The limit from 13.553-13.567 MHz at 30 meters is 15,848 uV/m which = 84 dBuV/m in accordance with FCC 15.225 (c) and RSS-210 section B.6 (a).

The limit drops to 334uV/m from 13.410-13.553 MHz and 13.567-13.710 MHz, and 106uV/m = 40.5 dBuV/m from the bands 13.110-13.410 MHz and 13.710-14.010 MHz.

The lower limit (40.5 dBuV/m) was used for all frequencies from 13.110-14.010 MHz. Therefore it also met 15.225 (a) (b) since the (a) & (b) limits are less stringent than (c).

All other limits are general limits of FCC 15.209 or the RSS-Gen.

The emissions were scanned from 10 kHz to 30 MHz, including 13.11 and 14.01 MHz.

No other emissions were detected from 10 kHz to 30 MHz within 10 dB of the 15.209 or the RSS-GEN limits.

Judgement: Passed by at least 10 dB.

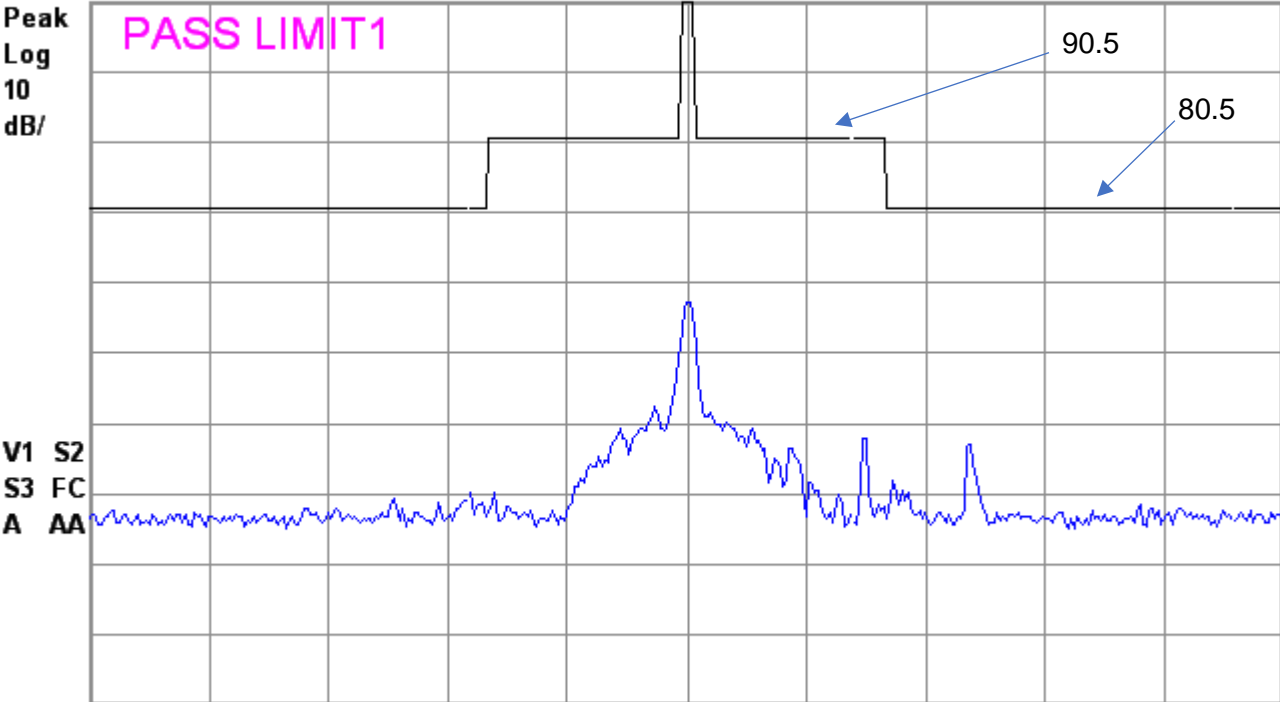


Agilent 11:52:07 Sep 19, 2022 R T

S/N 2

Ref 110 dB μ V/m

Atten 15 dB



Start 13.11 MHz

Stop 14.01 MHz

#Res BW 9 kHz

#VBW 30 kHz

Sweep 25.33 ms (401 pts)

RSS-210 Section B.6 and FCC section 15.225 limits, corrected for 3 meters.

Notes:

- 1. The top limit of 124 dBuV/m is off scale, above the plot.
- 2. 40 dB is added to the limits to convert from 30 to 3 meters.

11.4 Occupied Bandwidth Data

Model	RDR-30MH1DKU-WL-HP	Serial Number	2
Test Date	9/26/2022	Test Personnel	Joseph Strzelecki
Test Equipment	Spectrum Analyzer (REC-44)		

The occupied bandwidth of the RF output was measured using a spectrum analyzer. A broadband antenna was used to receive the modulated signal. The spectrum analyzer was set to the MAX HOLD mode to record the worst case of the modulation. The spectrum analyzer display was digitized and plotted. The plots of the occupied bandwidth for the EUT are supplied on the following page.

Product	99% OBW	
	125 kHz signal	13.56 MHz Signal
RDR-30MH1DKU-WL-HP	1.317	2.292

Judgement: Pass



Figure 5. Occupied Bandwidth Plot 125 kHz

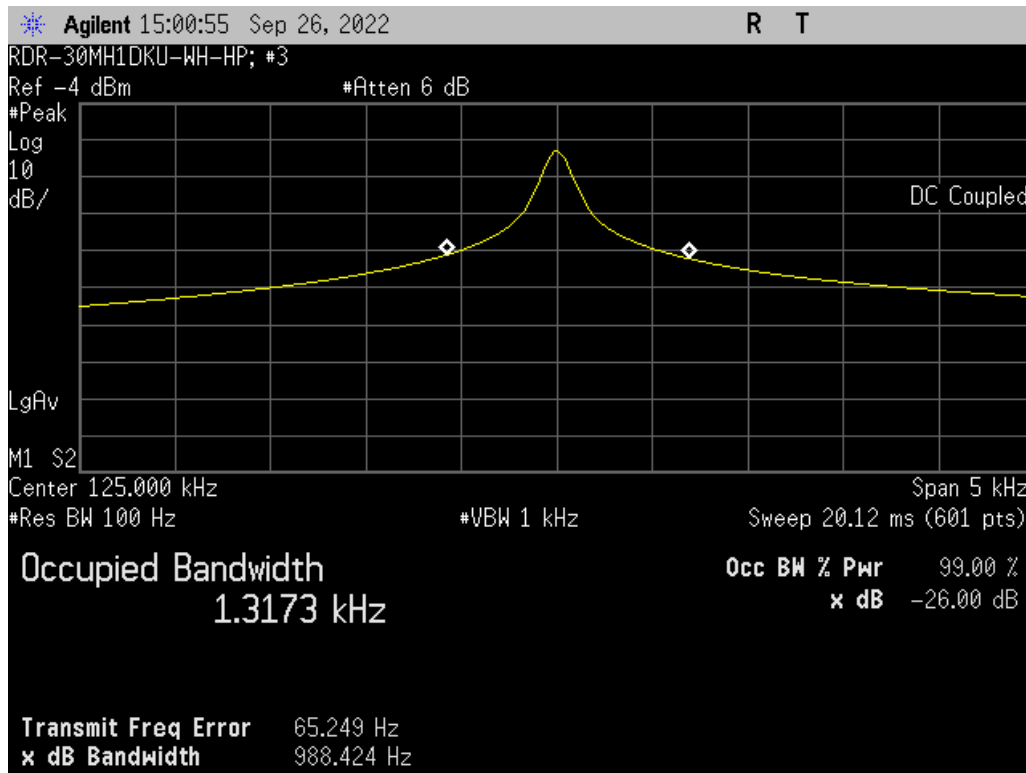
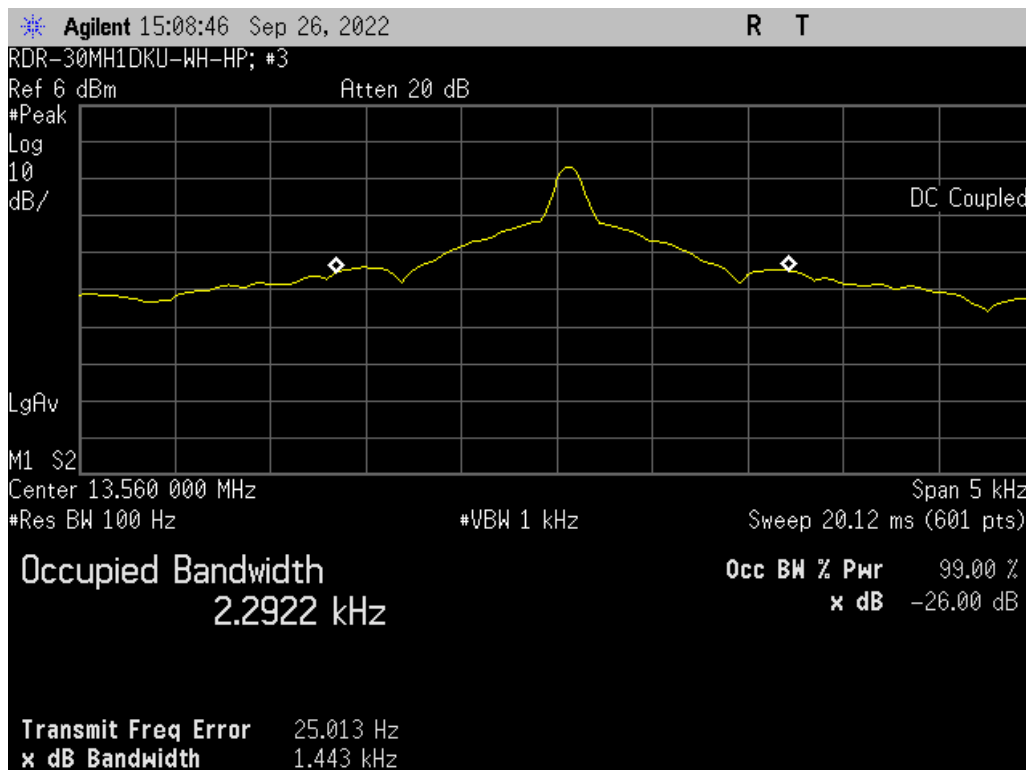


Figure 6. Occupied Bandwidth Plot 13.56 MHz





11.5 Frequency Stability

The tests were in accordance with FCC 15.225 and RSS-210 Section A2.6. Since the product is USB powered, a desktop PC was used to power the device. The input power to the desktop PC was varied by 15%, using a variable AC supply.

11.5.1 Test Results for Frequency Stability

Model	RDR-30MH1DKU-WL-HP	Specification	FCC Part 15.225 RSS-210 Section A2.6
Serial Number	2	Test Date	9/26/2022
Test Personnel	Joseph Strzelecki	Test Location	Chamber B
Test Equipment	Spectrum Analyzer (REC-31); Temperature Chamber TC-01		
Notes	10 minutes at each Temperature; 1 min at each voltage		
Nominal Frequency	13.560143 MHz		

Volts VAC	Freq. (MHz)	Deviation %	PPM
102.0	13.560136	-0.00005	-0.52
120.0	13.560143	0.00000	0.00
138.0	13.560130	-0.00010	-0.96

Temp. Deg C	Freq. (@0min.) (MHz)	Freq. (@2min.) (MHz)	Freq. (@5min.) (MHz)	Freq. (@10min.) (MHz)	Change from Nominal			
					% 0 min.	% 2 min.	% 5 min	% 10 min.
50	13.560147	13.560147	13.560160	13.560137	0.00035	0.00035	0.00044	0.00027
40	13.560139	13.560131	13.560113	13.560096	0.00029	0.00023	0.00010	-0.00003
30	13.560140	13.560136	13.560136	13.560140	0.00029	0.00027	0.00027	0.00029
20	13.560143	13.560141	13.560143	13.560147	0.00032	0.00030	0.00032	0.00035
10	13.560147	13.560151	13.560137	13.560150	0.00035	0.00038	0.00027	0.00037
0	13.560226	13.560208	13.560131	13.560168	0.00093	0.00080	0.00023	0.00050
-10	13.560142	13.560139	13.560154	13.560209	0.00031	0.00029	0.00040	0.00080
-20	13.560016	13.560143	13.560138	13.560141	-0.00062	0.00032	0.00028	0.00030

Max deviation is 9.29 ppm

Test Requirements: Limit is 100 ppm or 0.01% deviation.

Judgement: Pass



12.0 MEASUREMENT INSTRUMENTATION UNCERTAINTY

The uncertainties represent expanded uncertainties expressed at approximately the 95% confidence level using a coverage factor of k=2 in accordance with CISPR 16-4-2.

Measurement	Uncertainty
Conducted Emissions, LISN method, 150 kHz to 30 MHz	2.7 dB
Radiated Emissions, H-field, 3 meters, 9 kHz to 30 MHz	2.7 dB
Radiated Emissions, E-field, 3 meters, 30 to 200 MHz	3.3 dB
Radiated Emissions, E-field, 3 meters, 200 to 1000 MHz	4.9 dB
99% Occupied Bandwidth	1% of frequency span
Temperature THM-03	0.6 Deg C

13.0 REVISION HISTORY

RP-9688 Revisions:			
Rev.	Affected Sections	Description	Rationale