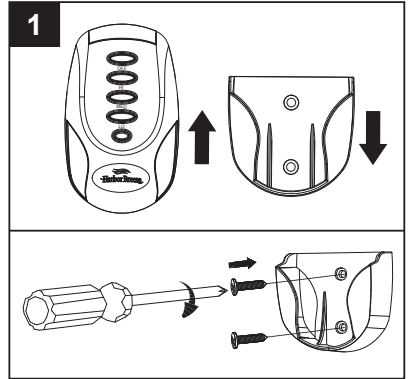
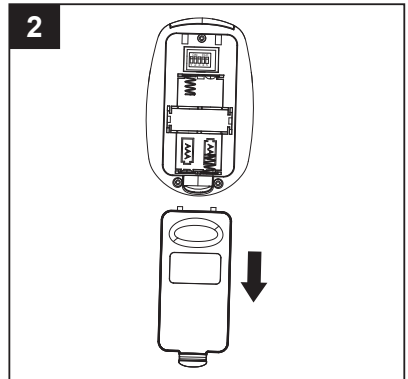


OPERATING INSTRUCTIONS

1. Slide the transmitter out of the transmitter holder. Select a location to install your transmitter holder. Attach the transmitter holder with screws provided.



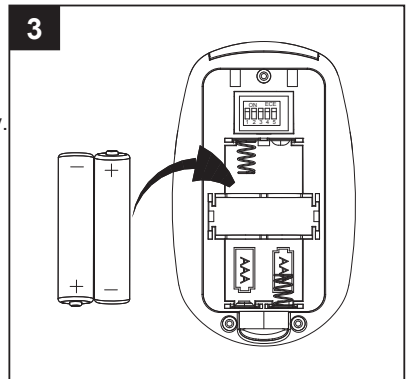
2. Open the battery cover.



3. To make fan operational, install two 1.5V AAA batteries (included). Replace the battery cover.

NOTE: This remote control uses two 1.5V AAA batteries. Replace batteries with the correct size and type of battery. Clean the battery contacts and area inside the device prior to installing new batteries. Ensure the batteries are installed correctly with regard to the polarity (+ and -).

NOTE: If not used for long periods of time, remove battery to prevent damage to transmitter. Store the remote control away from excessive heat and humidity.



OPERATING INSTRUCTIONS

4. The remote unit has 32 different code combinations, each transmitter of this remote control carries a unique ID code to facilitate communication between paired devices. The ID code is set by factory and is not user changeable. However, you will be required to perform an "ID code learning" process manually under these circumstances.

- If you have multiple fans installed within a close proximity and want to control all fans NOT using the same remote transmitter.

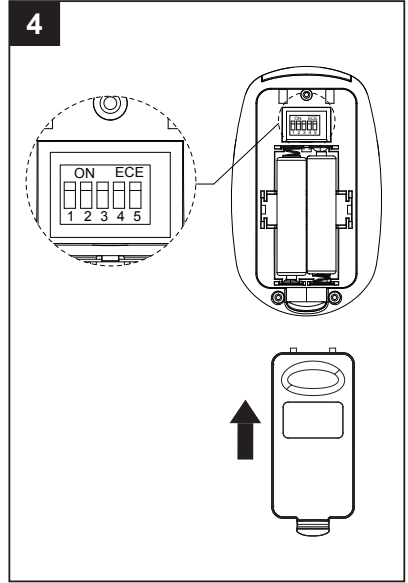
NOTE: Each fan requires its own receiver.

- When your remote control is not responding (make sure battery is not flat).

- After you have replaced a faulty transmitter or receiver with a new one.

Otherwise the remote control will not work.

To perform this process manually, follow steps below: Simply change the combination code by sliding dip switches in the remote. Press the " OFF" button within 1 minute after restoring power to the fan, the fan will beep five times . This indicate the code learning process has been completed.



5. Remote functions:

OFF: Turns off the fan

HI: High speed

MED: Medium speed

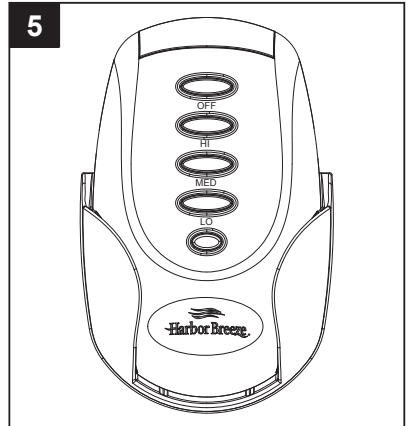
LO: Low speed, Press the button for 5 seconds to turn ON/OFF the buzzer

Special function! Start the fan without transmitter in the following way:

Flip the power switch 3 times within 8 seconds to obtain High speed

Flip the power switch 4 times within 8 seconds to obtain Medium speed

Flip the power switch 5 times within 8 seconds to obtain Low speed



LIMITED LIFETIME WARRANTY

The manufacturer warrants this fan to be free from defects in workmanship and material present at time of shipment from the factory for life (with limitations) from the date of purchase. This warranty applies only to the original purchaser. The manufacturer agrees to correct such defect at no charge or, at our option, replace the ceiling fan with a comparable or superior model.

To obtain warranty service, present a copy of your sales receipt as proof of purchase. All cost of removal and reinstallation are the expressed responsibility of the purchaser. Any damage to the ceiling fan by accident, misuse or improper installation, or by affixing accessories not produced by this warranty, are at the purchaser's own responsibility. The manufacturer assumes no responsibility whatsoever for fan installation during the limited lifetime warranty. Any service performed by an unauthorized person will render the warranty invalid.

Due to varying climatic conditions, this warranty does not cover changes in brass finish, rusting, pitting, tarnishing, corroding or peeling. Brass finish fans maintain their beauty when protected from varying weather conditions.

Any replacement of defective parts for the ceiling fan must be reported within the first year from the date of purchase. For the balance of the warranty, call our customer service department at 888 - 251 - 1003 for return authorization and shipping instructions so that we may repair or replace the ceiling fan. Any fan or parts returned improperly packaged is the sole responsibility of the purchaser. There is no further expressed warranty. The manufacturer disclaims any and all implied warranties. The duration of any implied warranty which cannot be disclaimed is limited to the lifetime limited period as specified in our warranty. The manufacturer shall not be liable for incidental, consequential or special damages arising at or in connection with product use or performance except as may otherwise be accorded by law. This warranty gives you specific legal rights, and you also have other rights which vary from state to state. This warranty supersedes all prior warranties.

Note: A small amount of "wobble" is normal and should not be considered a defect.

FCC WARNING

This device complies with Part 15 of the FCC Rules.

Operation is subject to the following two conditions:

(1) This device may not cause harmful interference, and (2) this device must accept any interference received, including interference that may cause undesired operation. Please note that changes or modifications not expressly approved by the party responsible for compliance could void the user's authority to operate the equipment.

Note: The remote control has been tested and found to comply with the limits for Class B digital device, pursuant to part 15 of the FCC Rules. These limits are designed to provide reasonable protection against harmful interference in a residential installation.

The remote control generates, uses and can radiate radio frequency energy and, if not installed and used in accordance with the instructions, may cause harmful interference to radio or television reception, which can be determined by turning the equipment off and on, the user is encouraged to try to correct the interference by one or more of the following measures:

- Reorient or relocate the receiving antenna.
- Increase the separation between the equipment and the receiver.
- Connect the equipment into an outlet on a circuit different from that to which the receiver is connected.

Consult the dealer or an experienced radio/TV technician for help.

Changes or modifications to this unit not expressly approved by the party responsible for compliance could void the user authority to operate the equipment. This Transmitter must not be co-located or operating in conjunction with any other antenna or transmitter