

WISE-2400-User Manual

PRODUCT INTRODUCTION

1. Package Contents

Before you start using this product, please check if there is anything missing in the package and contact your dealer to claim the missing item(s):

- BLE/ Wi-Fi Intelligent Sensor Gateway (WISE-2400)
- USB Cable (60cm)
- User Manual
- USB Adapter 5V/1A

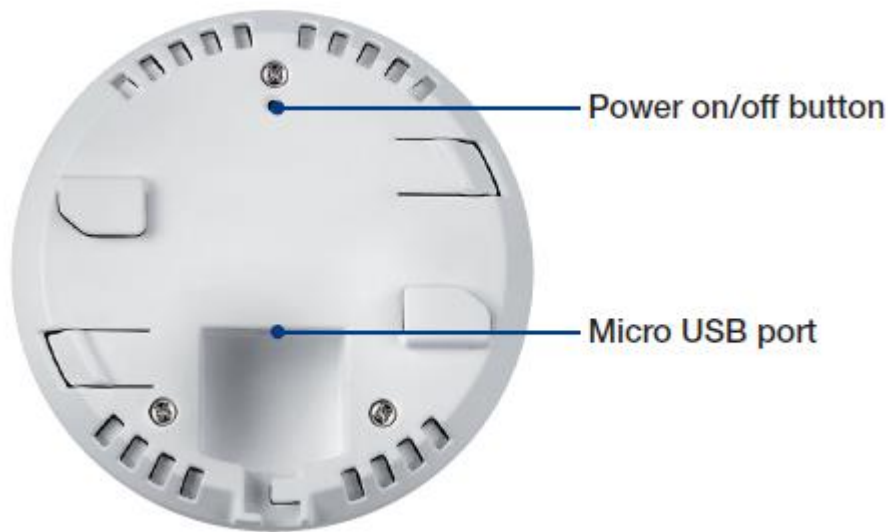
2. LED & Button Definitions


Front Panel



LEDs	Color	Status	Description
Power Status	Blue	ON	Power on
		OFF	Power off
Active Status	Blue	BLINK	Data Transmission
	Red	BLINK	Data Transmission failed

Rear Panel

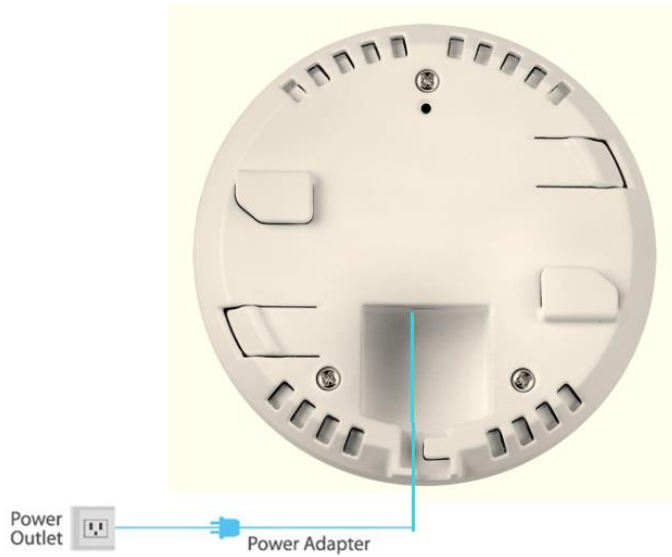


Items	Description
	Power ON/OFF
Micro USB Port	USB Power connector

3. Hardware Installation

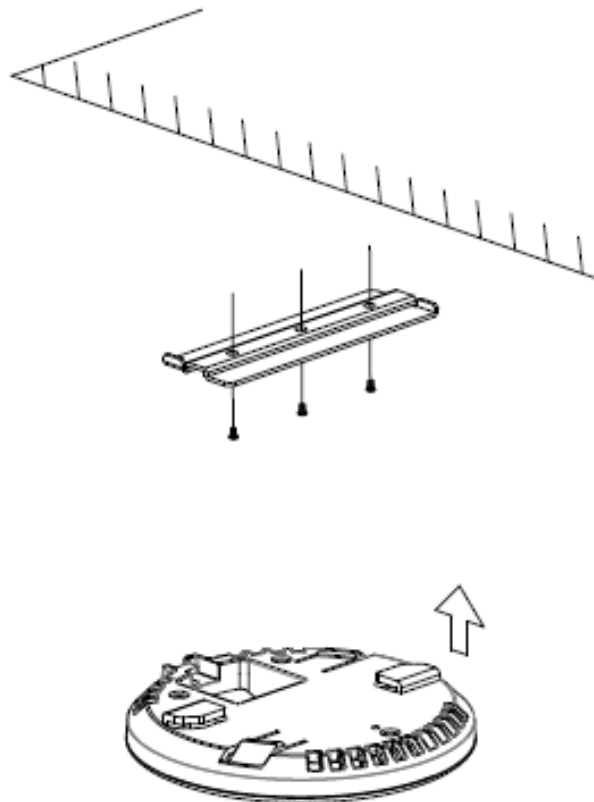
Step 1: Connect the power adapter to the WISE-2400

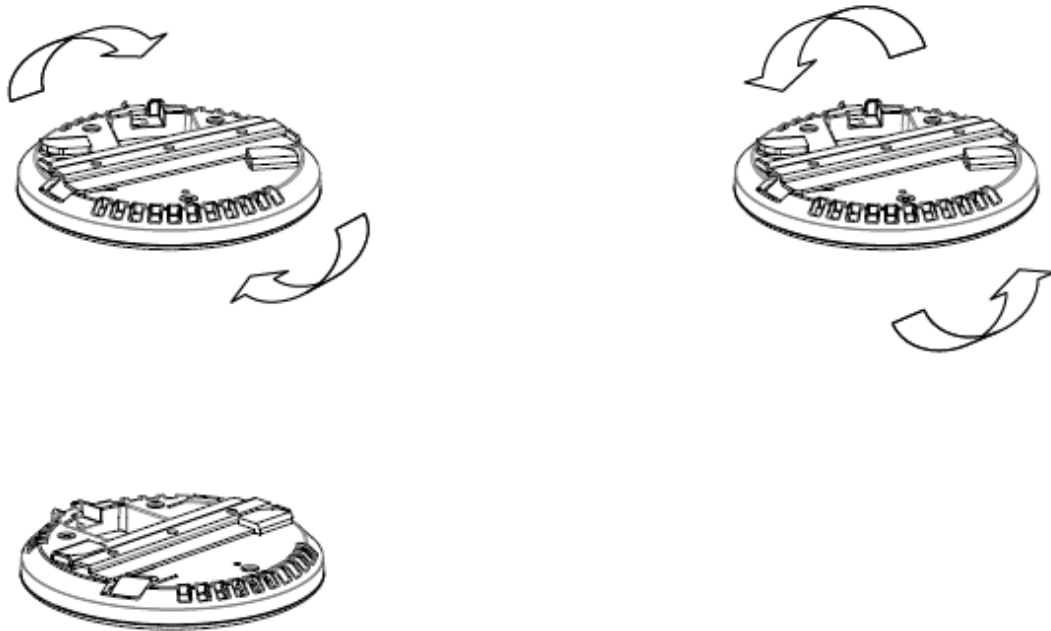
Plug one end of the power adapter into a power outlet and connect the other end to the 5V interface of the device.



Step 2: Fixed WISE-2400 with mounting kit

Please follow below steps. to mount the WISE-2400.

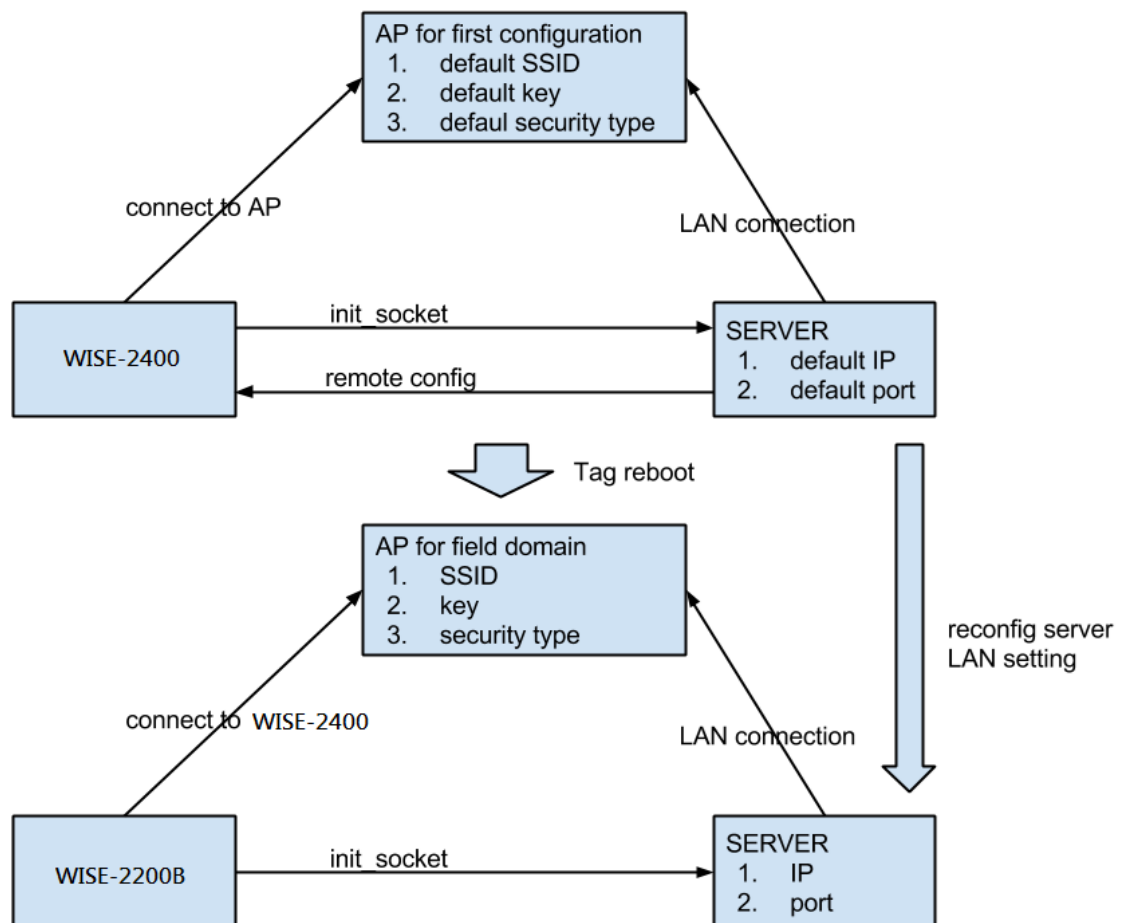




4. GETTING STARTED

A. First 2400 setting

Start to use WISE-2400, please follow below flowchart to do the setting.



B. WISE-2400 Default Setting

WISE-2400 default config as following table. Please follow the setting item to match wifi and RTLS server setting environment.

Config	Value	Description
SSID	WISE_AP	SSID of Connect AP
security key	12345678	Security key of connected AP
security type	WPA/WPA2	Security type of connected AP
Server IP	192.168.2.58	
Server port	4242	
WISE-2200W port	7000	For remote config connection
Battery low power alert	40	Send alert if battery is low power
RTLS Operation on/off	off	Turn on/off RTLS function
Operation mode	client	Switch operation mode of RTLS
Scan interval	10	Setting scan interval of RTLS function
G-sensor sensitivity	off	Turn on/off G-sensor and set sensitivity(2G~16G), RTLS data will be sent if G-sensor is triggered

Wifi AP config	Key	Config	Note
	SSID	WISE_AP	
	key	12345678	
	Security type	WPA	
RTLS Server config	IP	192.168.2.58	
	port	4242	Factory default

C. WISE-2400 connection

Start the RTLS server with Wifi AP, then open WISE-2400 and WISE-2200B , WISE-2400 will be automatically registered to the RTLS server.

Can check all the WISE-2200B status from RTLS server "DEVICE MANAGEMENT" function.

The screenshot shows the 'Device' management page in the ADVANTECH WISE-RTLS system. The interface includes a sidebar with navigation options like Main Page, Config, E-map, Device, Site Survey, Hot Zone, Message, Detection, Analytics, History, and Log. The main content area displays a table of devices with columns for No., Model, Name (MAC), Group, Location, Status, Firmware, and Action. The table lists six WISE-2400 devices, all with a 'Normal' status and 'Asset' group. Each device entry has 'Update', 'Edit', 'History', and 'Refresh' buttons. Search and pagination controls are visible at the top of the table area.

No.	Model	Name (MAC)	Group	Location	Status	Firmware	Action
1094	WISE-2400	(3E:E3)	Asset	N/A	Normal	1.6	Update, Edit, History, Refresh
1093	WISE-2400	(4B:FC)	Asset	N/A	Normal	1.6	Update, Edit, History, Refresh
1092	WISE-2400	(3A:36)	Asset	N/A	Normal	1.6	Update, Edit, History, Refresh
1091	WISE-2400	(85:DB)	Asset	N/A	Normal	1.6	Update, Edit, History, Refresh
1090	WISE-2400	(8F:B4)	Asset	N/A	Normal	1.6	Update, Edit, History, Refresh
1089	WISE-2400	(8D:ED)	Asset	N/A	Normal	1.6	Update, Edit, History, Refresh

The screenshot shows the configuration page for a specific device (No. 1094) in the ADVANTECH WISE-RTLS system. The page is divided into several sections: Configuration, Profile, Connection, Accessory, and Maintenance. The Configuration section shows details for device No. 1094, including its Model Name (WISE-2400), Device Status (Normal), and Location (N/A). The Profile section includes fields for Device Name, Group (Asset), and Firmware (1.6). The Connection section contains fields for AP SSID (advantech), AP Password, AP Security Type, Device Socket IP/Port (192.168.2.157; 7100), Server Socket IP (192.168.2.58), and Server Socket Port (4242). The Accessory section features sliders for Client Info Max (6) and Tag Scan Interval (10), along with fields for Tag Sensor Scan Interval (2), Temperature (28°C), and Humidity (36%). The Maintenance section shows the Maintainer (Administrator), Creator (Administrator), Last updated (2016-04-19 17:47:08), and Created Datetime (2016-04-19 11:48:33). A 'Fields marked * should be filled.' note is present at the top right. Navigation buttons (Back, Submit, Refresh) are located at the bottom right.

Federal Communications Commission (FCC) Statement

15.21

You are cautioned that changes or modifications not expressly approved by the part responsible for compliance could void the user's authority to operate the equipment.

15.105(b)

This equipment has been tested and found to comply with the limits for a Class B digital device, pursuant to part 15 of the FCC rules. These limits are designed to provide reasonable protection against harmful interference in a residential installation.

This equipment generates uses and can radiate radio frequency energy and, if not installed and used in accordance with the instructions, may cause harmful interference to radio communications. However, there is no guarantee that interference will not occur in a particular installation. If this equipment does cause harmful interference to radio or television reception, which can be determined by turning the equipment off and on, the user is encouraged to try to correct the interference by one or more of the following measures:

- Reorient or relocate the receiving antenna.
- Increase the separation between the equipment and receiver.
- Connect the equipment into an outlet on a circuit different from that to which the receiver is connected.
- Consult the dealer or an experienced radio/TV technician for help.

This device complies with part 15 of the FCC Rules. Operation is subject to the following two conditions:

- 1) this device may not cause interference and
- 2) this device must accept any interference, including interference that may cause undesired operation of the device.

RF Radiation Exposure Statement:

1. This Transmitter must not be co-located or operating in conjunction with any other antenna or transmitter.
2. This equipment complies with FCC RF radiation exposure limits set forth for an uncontrolled environment.
This equipment should be installed and operated with a minimum distance of 20 centimeters between the radiator and your body.