

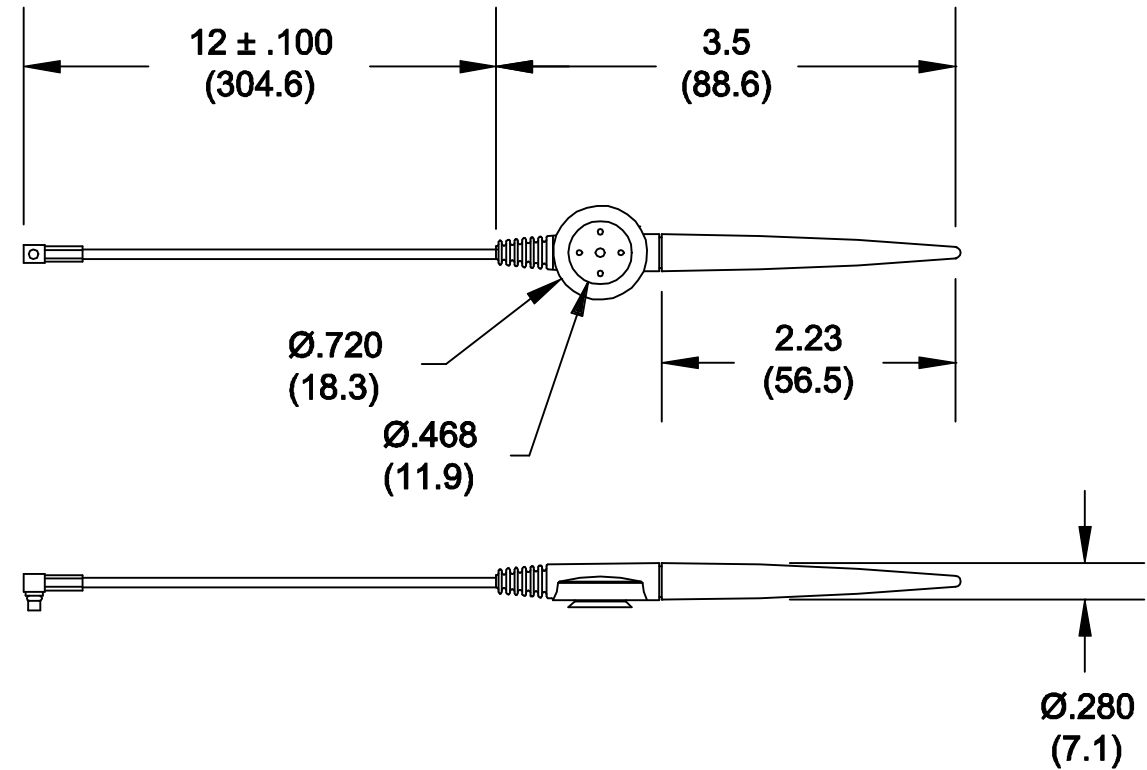
2424BB SPEC

This drawing, written description, or specification represents a proprietary product of TELEX, Lincoln, NE., and shall not be released, disclosed, nor duplicated without the written permission of TELEX.


REVISIONS				
CHG NO	LTR	DESCRIPTION	DATE	APPD
-----	A	RELEASE	8/31/00	

SPECIFICATIONS:

FREQUENCY	2.4 - 2.483 GHz
SWR	< 2.00:1
NOMINAL IMPEDANCE	50 ohms
POLARIZATION	VERTICAL
RADIATION PATTERN	OMNIDIRECTIONAL
ANTENNA GAIN	2.2 dBi
COAX	RG178/U TYPE
COAX ATTENUATION	.8 dB PER FOOT
COAX TERMINATION	RIGHT ANGLE PLUG, MICROMATE OR EQUIV.
WEIGHT	< .5oz (14 grams)
OPERATING TEMP	+150°F (+65°C) TO -40°F (-40°C)



2. ORDER NUMBER: 2424BB
 1. DIMENSIONS: INCH (mm).
 NOTES:

QTY	DESCRIPTION	ITEM	PART NO.	SPECIFICATION
	UNSPECIFIED LIMITS OF TOLERANCE	DATE	31 AUG 00	 TELEX COMMUNICATIONS INC. Lincoln Nebraska U.S.A.
	DECIMAL: FRACTION:	DR BY	JSS	
	.X = ±.030 IN. MACHINED	CHK BY		
	.XX = ±.010 FINISH: 64	APPD		
	.XXX = ±.005 IN.	PROD	-----	
	ANGLES ±1°, BENDS ±2°	MATERIAL:		TITLE
	STRAIGHTNESS AND / OR FLATNESS .005 IN./1 IN.			2.4 GHz FLEX ANTENNA SPECIFICATION
	UNMARKED ANGLES, BENDS AND INTERSECTIONS 90°			SIZE B
	THREADS - EXT. CLASS 2A INT. CLASS 2B			CODE IDENT 57010
				DWG. NO. 2424BB SPEC
				SCALE: N/A
				SHEET: 1 OF 1