
POC127

**Point of Care Terminal with Intel®
Pineview-M N450 CPU and 12.1" VA LCD
(Computer)**



The Instructions for the User

The document combines text and illustrations, providing a comprehensive overview of the system. The information is presented as sequential steps of action, allowing the user to learn directly how to use the device.

The text provides explanations and instructs the user step by- step in the practical use of the product, with short, clear instructions in easy-to-follow sequence.

Definitions

Warning! A *WARNING* statement provides important information about a *poten-tially hazardous situation which, if not avoided, could result in death or serious injury.*



Caution! A *CAUTION* statement provides important information about a *poten-tially hazardous situation which, if not avoided, may result in minor or moderate injury to the user or patient or in damage to the equipment or other property.*



Note! A *NOTE* provides additional information intended to avoid *inconve-niences during operation.*



Safety Instructions

1. Strictly follow these Instructions for Use; please read these safety instructions carefully.
2. Please keep this User Manual for later reference; any use of the product requires full understanding and strict observation of all portions of these instruc-tions. Observe all **WARNINGS** and **CAUTIONS** as rendered throughout this manual and on labels on the equipment.
3. Repair of the device may only be carried out by trained service personnel. Advantech recommends that a service contract be obtained with Advantech Service and that all repairs also be carried out by them. Otherwise the correct functioning of the device may be compromised.

Warning! *Because of the danger of electric shock, never remove the cover of a device while it is in operation or connected to a power outlet.*



4. If one of the following situations arises, have the equipment checked by service personnel:
 - The power cord or plug is damaged.
 - Liquid has penetrated into the equipment.
 - The equipment has been exposed to moisture.
 - The equipment does not work well, or you cannot get it to work according to the user manual.
 - The equipment has been dropped and damaged.
 - The equipment has obvious signs of breakage.

5. Disconnect this equipment from any AC outlet before cleaning. Use a damp cloth. Do not use liquid or spray detergents for cleaning and keep this equipment away from humidity.

Caution! *To avoid short-circuiting and otherwise damaging the device, do not allow fluids to come in contact with the device. If fluids are accidentally spilled on the equipment, remove the affected unit from service as soon as possible and contact the service personnel to verify that patient safety is not compromised.*



6. Put this equipment on a reliable surface during installation. Dropping it or letting it fall may cause damage. For plug-in equipment, the power outlet socket must be located near the equipment and must be easily accessible.

Caution! *To prevent overheating, do not cover the openings or place the device in direct sunlight or near radiant heaters.*



7. Make sure the voltage of the power source is correct before connecting the equipment to the power outlet. Position the power cord so that people cannot step on it. Do not place anything over the power cord. If the equipment is not used for a long time, disconnect it from the power source to avoid damage by transient over voltage.

Caution! *Do not leave this equipment in an uncontrolled environment where the storage temperature is below -20° C (-4° F) or above 60° C (140° F). This may damage the equipment.*



8. If your computer does not keep the correct time or the BIOS configuration has been reset to default, the battery may have no charge.

Caution! *Do not replace battery yourself. Please contact a qualified technician or your retailer.*



The computer is provided with a battery- powered, real-time clock circuit. There is a danger of explosion if battery is incorrectly replaced. Replace only with same or equivalent type recommended by the manufacturer. Discard used batteries according to the manufacturer's instructions.

Caution! *The battery charging indicator is not included with this device. It will be added to the finished system assembly and be shown with the completed system.*

9. Improper installation of VESA mounting can result in serious personal injury! VESA mount installation should be operated by professional technician, please contact the service technician or your retailer if you need this service. The detail operating procedure is specified in Appendix A.
10. Classification:
 - 1). Supply Class I s
 - 2). No applied part
 - 3). Continuous Operation
 - 4). Not AP or APG category

Warning! *This device is not suitable for use in the presence of flammable anes-thetic mixture with air, oxygen, nitrous oxide, or for life support systems.*



11. Environmental protection: follow national requirements to dispose of unit.
12. Maintenance: to properly maintain and clean the surfaces, use only the approved products or clean with a dry applicator.

Caution! *When servicing the device, always use replacement parts that are qualified to Advantech standards. Advantech Digital Healthcare cannot warrant or endorse the safe performance of third-party replacement parts for use with our medical device.*



13. Make sure the user does not allow contact between SIP/SOPs and the patient at the same time.
14. When networking with electrical devices, the operator is responsible for ensuring that the resulting system meets the requirements set forth by the following standards:
 - EN 60601-1 (IEC 60601-1)
Medical electrical equipment
Part 1: General requirements for safety
 - EN 60601-1-1 (IEC 60601-1-1)
Medical electrical equipment
Part 1-1: General requirements for safety
Collateral standard: Safety requirements for Medical electrical systems
 - EN 60601-1-2 (IEC 60601-1-2)
Medical electrical equipment
Part 1-2: General requirements for safety
Collateral standard: Electromagnetic compatibility; Requirements and tests



Medical Equipment
With Respect to Electric Shock,
Fire, and Mechanical Hazards Only,
In Accordance with UL 60601-1,
CAN/CSA C22.2 No. 601.1, and
IEC 60601-1

15. Accessory equipment connected to analog and digital interfaces must be in compliance with the respective nationally harmonized IEC standards (i.e. IEC 60950 for data processing equipment, IEC 60065 for video equipment, IEC 61010-1 for laboratory equipment, and IEC 60601-1 for medical equipment.)

Furthermore all configurations shall comply with the system standard IEC 60601-1- 1. Anyone who connects additional equipment to the signal input part or signal output part is configuring a medical system, and is therefore, responsible that the system complies with the requirements of the system standard IEC 60601-1-1. The unit is for exclusive interconnection with IEC 60601-1 certified equipment in the patient environment and IEC 60XXX certified equipment out-side of the patient environment. If in doubt, consult the technical services department or your local representative.

Caution! Use suitable mounting apparatus to avoid risk of injury.



16. Grounding reliability can only be achieved when the equipment is connected to an equivalent receptacle marked "Hospital Only" or "Hospital Grade".
17. Use a power cord that matches the voltage of the power outlet, which has been approved and complies with the safety standard of your particular country.

Note! Environmental protection



Follow national requirements to dispose of unit.

18. "WARNING - Do not modify this equipment without authorization of the manufacturer."
19. "WARNING – To avoid risk of electric shock, this equipment must only be connected to a supply mains with protective earth.
20. "CAUTION: This adapter Sinpro Power: Type: HPU101-107 W/PFC is a forming part of the medical device".

Explanation of Graphical Symbols



IEC 60878 and ISO 3864-B.3.6 : Warning: dangerous voltage



ISO 7000-0434 : Caution, consult ACCOMPANYING DOCUMENTS.



ISO 7000-1641 : Follow operating instructions or consult instructions for use.



IEC 60417 -5009 : STAND-BY.



IEC 60417-5031 : Direct current.



IEC 60417-5021 : Equipotentiality.

Disposing of Old Products

Within the European Union



EU-wide legislation, as implemented in each member state, requires that waste electrical and electronic products carrying the mark shown at left must be disposed of separately from normal household waste. This includes monitors and electrical accessories, such as signal cables or power cords. When you need to dispose of your display products, please follow the guidance of your local authority, or ask the shop where you purchased the product, or if applicable, follow any agreements made between you and the provider.

The mark on electrical and electronic products only applies to the current European Union Member States.

FCC Class B

This equipment has been tested and found to comply with the limits for a Class B digital device, pursuant to Part 15 of the FCC Rules.

These limits are designed to provide reasonable protection against harmful interference when the equipment is operated in a residential environment. This equipment generates, uses and can radiate radio frequency energy. If not installed and used in accordance with this user manual, it may cause harmful interference to radio communications.

Note that even when this equipment is installed and used in accordance with this user manual, there is still no guarantee that interference will not occur. If this equipment is believed to be causing harmful interference to radio or television reception, this can be determined by turning the equipment on and off. If interference is occurring, the user is encouraged to try to correct the interference by one or more of the following measures:

- Reorient or relocate the receiving antenna
- Increase the separation between the equipment and the receiver
- Connect the equipment to a power outlet on a circuit different from that to which the receiver is connected
- Consult the dealer or an experienced radio/TV technician for help

Warning! Any changes or modifications made to the equipment which are not expressly approved by the relevant standard's authority could void your authority to operate the equipment.

FCC Caution: Any changes or modifications not expressly approved by the party responsible for compliance could void the user's authority to operate this equipment.

FCC RF Radiation Exposure Statement:

1. This Transmitter must not be co-located or operating in conjunction with any other antenna or transmitter.
2. This equipment complies with FCC RF radiation exposure limits set forth for an uncontrolled environment. This equipment should be installed and operated with a minimum distance of 20 centimeters between the radiator and your body.

List of Accessories

Before installing your Point-of-Care Terminal, ensure that the following materials have been received:

- POC127 series Point-of-Care Terminal
- Accessories for POC127
- CD-ROM disc-"Drivers, User's manual and Utilities"
- Mounting kits and packet of screws.
- VESA mounting note x1
- China RoHS notex1

Warning! *No user serviceable parts inside; refer servicing to qualified personnel. Only the accessories indicated on the list of accessories above have been tested and approved to be used with the device. Accordingly it is strongly recommended that only these accessories be used in conjunction with the specific device. Otherwise the correct functioning of the device may be compromised.*

Additional Information and Assistance

Contact your distributor, sales representative, or Advantech's customer service center for technical support if you need additional assistance. Please have the following information ready before you call:

- Product name and serial number
- Description of your peripheral attachments
- Description of your software (operating system, version, application software, etc.)
- A complete description of the problem
- The exact wording of any error messages
- This equipment is a source of electromagnetic waves. Before use please, make sure that there are not EMI sensitive devices in its surrounding which may malfunction therefore.

Environmental protection

- Follow national requirements to dispose of unit.

Manufacturer:

Advantech Co., Ltd.

No.1, Alley 20, Lane 26, Rueiguang Road Neihu District, Taipei,

Taiwan 114, R.O.C.

TEL: (02) 2792-7818

Distributed in Europe by:

Advantech Europe GmbH Kolberger Straße 7

D-40599 Düsseldorf, Germany

Tel: 49-211-97477350

Fax: 49-211-97477300

Visit the Advantech websites at www.advantech.com or www.advantech.com.tw if you need more information.

Visit the Advantech websites at www.advantech.com or www.advantech.com.tw if you need more information.

Chapter 1 General Information

1.1 Introduction

The POC127 is a Intel® Atom™ Processor Processor N450 1.66G Hz mobile processor-based computer that is designed to serve as a Point of Care terminal (POC.) It is a PC-based system with 12.1" color TFT LCD display, Single DVI-I Port, Dual on-board 10/100/1000 PCI-E Ethernet controller, Quad COM ports, Quad USB 2.0 ports and a 24-bit stereo audio controller. The POC127 is an user-friendly computer. For system integrators, this highly integrated multimedia system lets you easily build a Point of Care Terminal into your applications. The POC127 makes it an ideal and safe point of care solution for patients and hospital practitioners.

The POC127 is specially designed to resist spills and water damage, and ensures dust resistance with its protected LCD, sealed ports, like a complete system. The high contrast ratio (1500:1) of POC127 makes it a perfect image terminal for PACS and DICOM applications. The POC127 is a reliable solution to your application's processing requirements.

Intended use - The POC127 is intended to serve as a Point of Care terminal (POC) for integration with hospital system. POC127 medical computing is designed for general purpose for hospital environment. For data collection and display for reference. It shall not be used for life-supporting system.

The latest version of user's manual is available to be downloaded from <http://support.advantech.com.tw/support/>

1.2 Specifications

Computing System	Chipset	Intel Pineview-M; Intel ICH8M
	CPU	Intel® Atom™ Processor Processor N450 1.66G Hz
	Front Side Bus	667 MHz
	Memory	Up to 2GB DDR2 667 MHz SDRAM
Graphics	Controller	INTEL Pineview-M with Extreme Graphic technology
System input rating	Input Voltage	+18 VDC,3.5 A.
Power Supply	DC Model	AC/DC adapter (Sinpro Model no.HPU101-107)
	Input Voltage	100-240V AC, 47-63Hz, 1.2-0.5A
	Output Voltage	+18 VDC,5.55 A.
Expansion Slot	Mini PCIe	1 x mini PCIe
	PCIe /PCI	1 x PCIe x4 slot or PCI x1 (by riser card option)
Storage	CF	32GB CF card
Identification		1x Smart Card Reader (option)
Speakers		2 x 2 W speakers;
Display	Display size	12.1 inch
	Display Mode	TN, Normally black
	Max. Resolution	800 x 600
	Max. Colors	262k/16.2M colors
	Dot size (mm)	0.3075 x 0.3075
	Viewing angle	160/140
	Luminance	600 cd/m ²
	Backlight	LED
	Contrast ratio	1500:01:00
Optional Function	WLAN	IEEE 802.11 a/b/g/n
	DOM	1-8GB disk on module kit
Touch screen	Type	Analog Resistive
	Resolution	Continuous

	Light transmission	75%
	Controller	RS-232 interface (use COM 6)
	Durability	30 million touches
Certification		CE,FCC Class B approved/ RF
	Controller	UL60601-1,EN60601-1 approved
Environment	Temperature	0 ~ 40°C (32 ~ 104°F) (Operating) -20 ~60°C (Storage) -20 ~60°C (Transportation)
	Humidity	10 ~ 90% @ 40°C (non-condensing) 5 ~90% (non condensing) (Storage) 5 ~90% (Transportation)
	Pressure	700-1013 hPa (Operation) 375 mmHg to 760 mmHg (Storage) 375mmHg to 760 mmHg (Transportation)
	Shock Resistance	20G peak acceleration (11ms duration)
Physical Characteristics	Water/dust Resistance	IPX1 compliant
	Dimensions (W x H x D)	348 x 287 x 92 mm (13.70" x 11.29" x 3.62")
	Weight	4.5 kg
Platform & utility		XP Professional, Windows 7, SUSI

Dimensions

Unit: mm

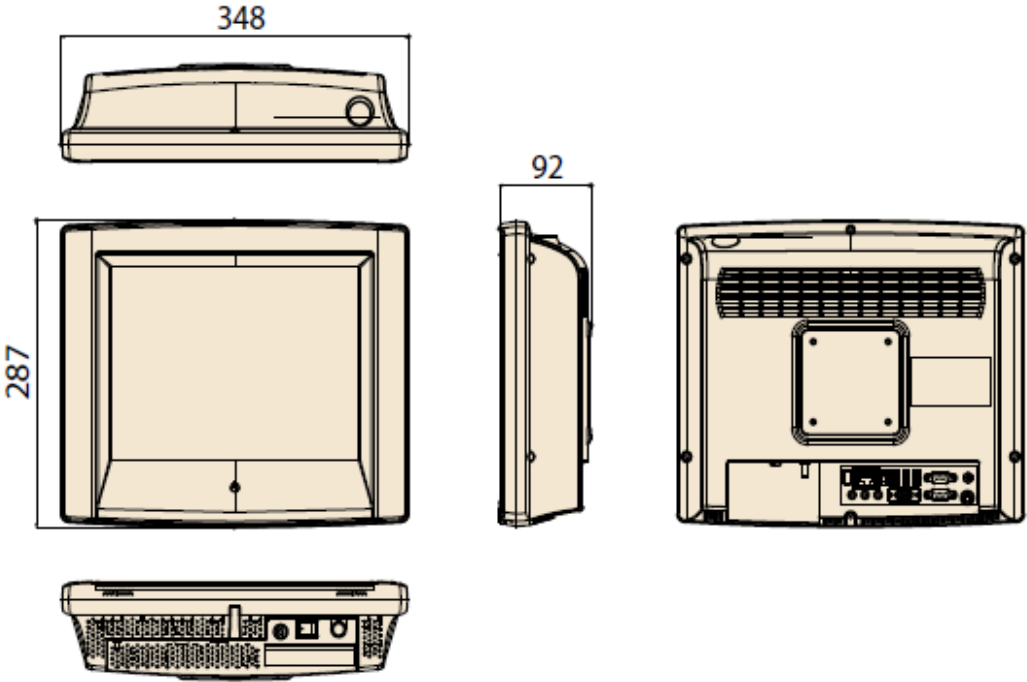


Figure 1-1: Dimension

VESA Mounting: 75x75mm

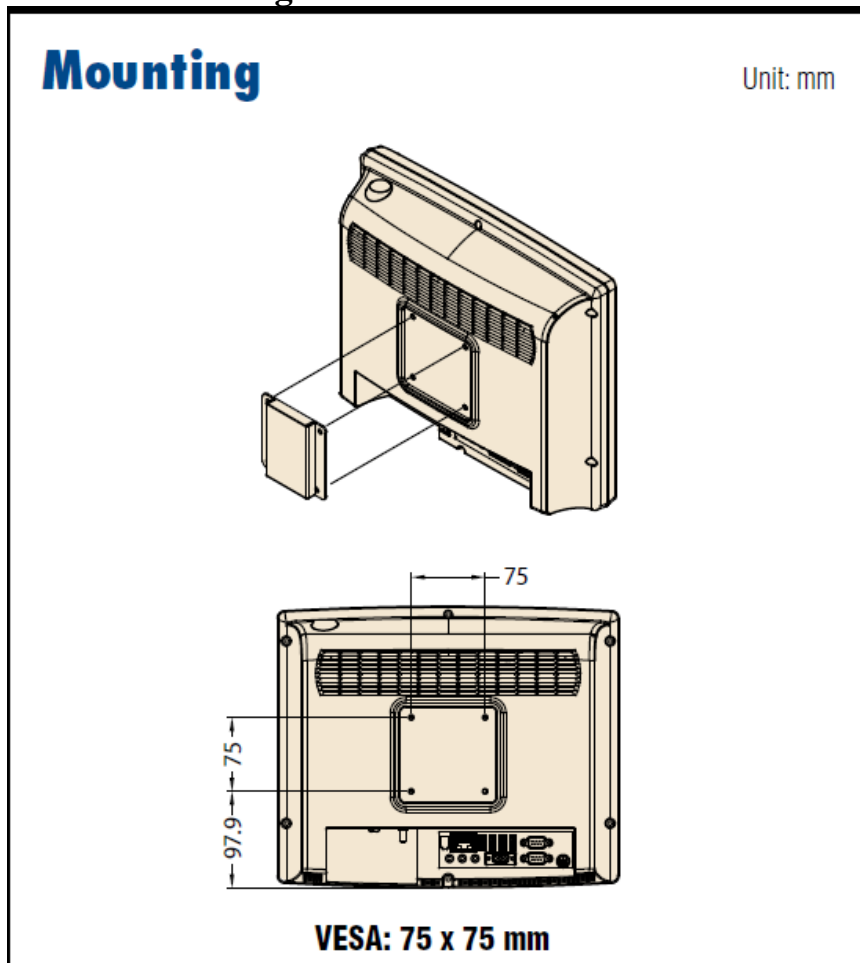


Figure 1-2: VESA Mounting

Please use M4x12L (Maximum) screw x4

Cleaning and Disinfecting

During normal use of the POC (Point-of-Care Terminal) the device may become dirty and should be regularly cleaned.

Steps:

1. Prepare cleaning water
2. Wipe the POC with a clean cloth that has been moistened in the pure water.
3. Wipe thoroughly with a clean cloth.

Caution!



- Do not immerse or rinse the POC or its peripherals. If you accidentally spill liquid on the device, disconnect the unit from the power source. Contact your IT support department regarding the continued safety of the unit before placing it back in operation-Do not spray cleaning agent on the chassis.
- Do not use disinfectants that contain phenol.
- Do not autoclave or clean the POC or its peripherals with strong aromatic, chlorinated, ketone, ether, or other solvents, sharp tools

or abrasives. Never immerse electrical connectors in water or other liquids.

Chapter 2 System Setup

2.1 A Quick Tour of the POC127

Before you start to set up the POC127, take a moment to become familiar with the locations and purposes of the controls, drives, connections and ports, which are illustrated in the figures below.

When you place the POC127 upright on the desktop, its front panel appears as shown in Figure 2-1.

2.1.1 Front View



Figure 2-1: Front View of the Point of Care Terminal

2-1 Front Bezel view

- (1) LCD panel with Touch Screen option
- (2) Power symbol w/ indicator light

2.1.2 Rear View

When you turn the Point of Care Terminal around and look at its rear cover, the sunken I/O section is at the bottom of the panel PC, as shown in Figure 2-2 and zoom in Figure 2-3. (The I/O section includes various I/O ports, including serial ports, VGA port, the Ethernet port, USB ports and so on.)

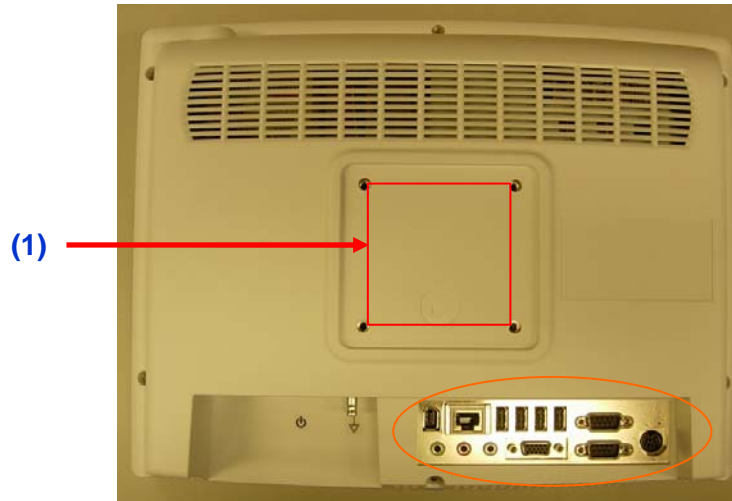


Figure 2-2: Rear view of the Point of Care Terminal

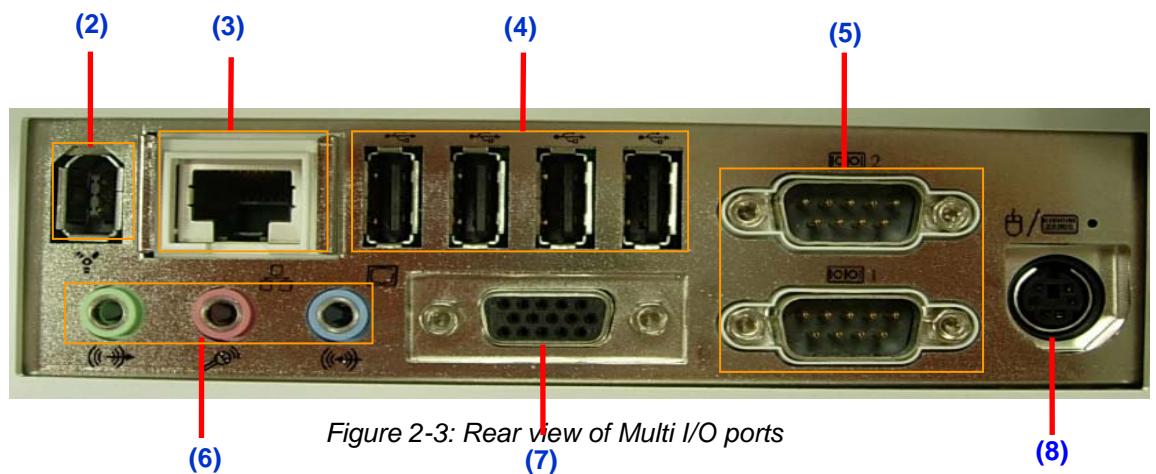


Figure 2-3: Rear view of Multi I/O ports

2-2 and 2-3 Rear view

- (1) VESA mounting 75mmx75mm
- (2) IEEE 1394a port
- (3) Ethernet (network) ports labeled TCP/IP (LAN1)
- (4) USB1-USB4 ports*
- (5) COM1 – COM2 serial ports
- (6) Line-out, Microphone-in & Line in jack
- (7) VGA port
- (8) KB/MOUSE (keyboard/mouse) PS/2 port

2.1.3 Bottom view

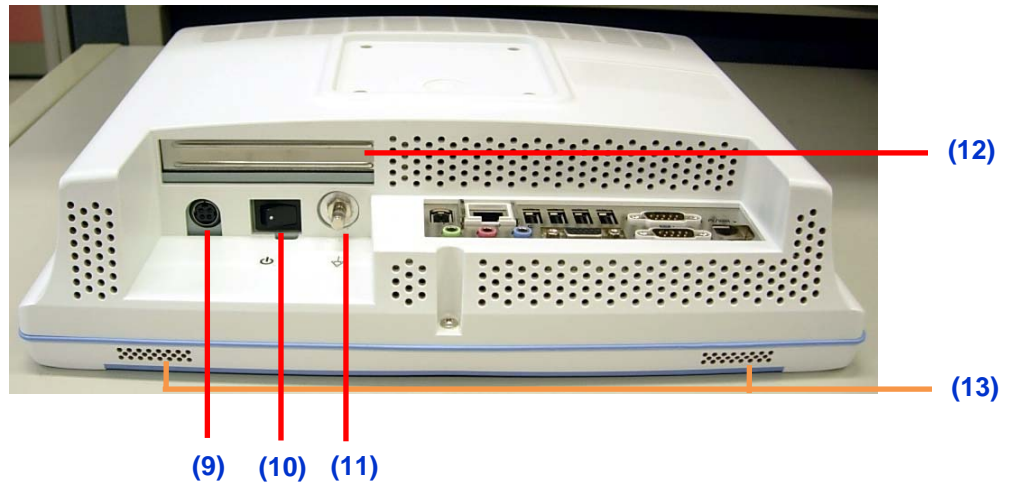


Figure 2-4: Bottom view

- (9) DC-in Jack
- (10) Power switch
- (11) Equipotential terminal
- (12) Add on card bracket
- (13) Speaker x2

NOTE: Equipotential terminal need link to hospital ground/earth system before system boot to protect operator and system.

2.2 Installation Procedures

2.2.1 Connecting the Power Cord

The POC127 could only be powered by a DC power adapter (SINPRO Model no.HPU100-107). Be sure to always handle the power cords by holding the plug ends only.

Follow these procedures in order:

1. Connect the female end of the power adapter to the DC jack of the panel PC. (See Figure 2-7.)
2. Connect the female end of the power cord to the DC power adapter
3. Connect the 3-pin male plug of the power cord to an electrical outlet.

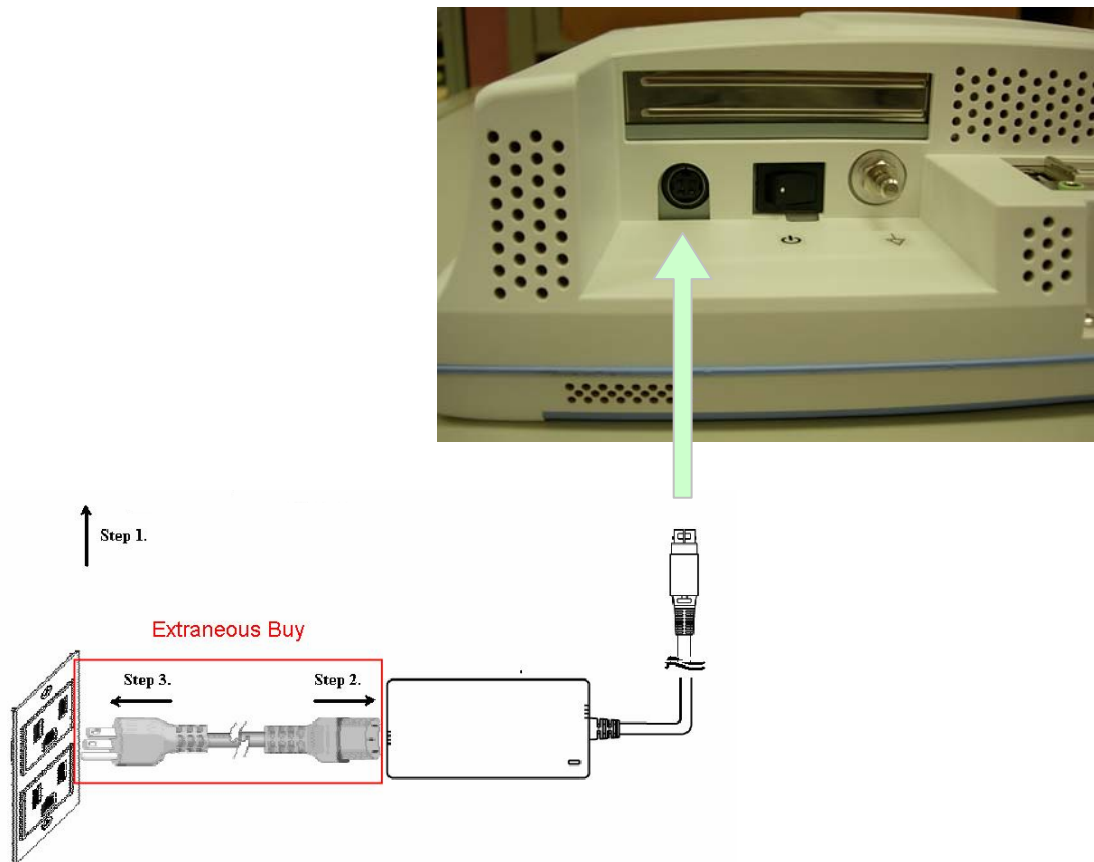


Figure 2-7: Connecting the power cord

2.2.2 Connecting the Ground Pin

Step 1. System ready and find the Equipotential Terminal on rear side of POC.
An Equipotential Terminal is provide to optionally connect to a hospital ground/earth system

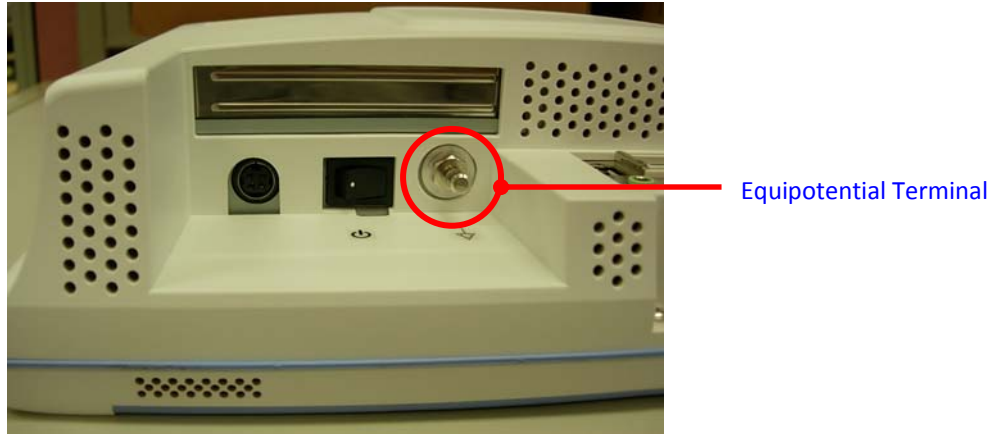


Figure 2-8: POC127 Equipotential Terminal Pin

Step 2. Prepare the Grounding cable and the other terminal link to hospital ground/earth system.



Figure 2-9: Grounding cable with connector

Step 3. Grounding cable plug with POC127 Equipotential Terminal (See Figure 2-8)

2.2.2 Switch on the power

Switch on the reset switch on the front cover. (See Figure 2-4.)



Figure 2-11: Press the power button to boot system

2.3 Running the BIOS Setup Program

Your POC127 is likely to have been properly set up and configured by your dealer prior to delivery. You may still find it necessary to use the BIOS (Basic Input-Output System) setup program to change system configuration information, such as the current date and time or your type of hard drive. The setup program is stored in read-only memory. It can be accessed either when you turn on or reset the panel PC, by pressing the " Ctrl+Alt+Del " key on your keyboard immediately after powering on the computer.

The settings you specify with the setup program are recorded in a special area of memory called CMOS RAM. This memory is backed up by a battery so that it will not be erased when you turn off or reset the system. Whenever you turn on the power, the system reads the settings stored in CMOS RAM and compares them to the equipment check conducted during the power on self-test (POST). If an error occurs, an error message will be displayed on screen, and you will be prompted to run the setup program.

2.4 Installing System Software

Recent releases of operating systems from major vendors include setup programs which load automatically and guide you through hard disk preparation and operating system installation. The guidelines below will help you determine the steps necessary to install your operating system on the panel PC hard drive.

Note! *Some distributors and system integrators may have already pre-installed system software prior to shipment of your panel PC.*



If required, insert your operating system's installation or setup diskette into the external diskette drive until the release button pops out.

The BIOS supports system boots up directly from the CD-ROM drive. You may also insert your system installation CD-ROM disk into your external CD-ROM drive.

Power on or reset the system by pressing the "F2 or Del" key to boot into BIOS menu and adjust the boot device sequence.

You can also press F12 key when booting; a bootable device popup menu will appear, you can select bootable device that you want. The Point-of-Care Terminal will automatically load the operating system from the diskette or CD-ROM.

If you are presented with the opening screen of a setup or installation program, follow the instructions on screen. The setup program will guide you through preparation of your hard drive, and installation of the operating system.

2.5 Installing the Drivers

After installing your system software, you will be able to set up the Chipset, Graphics, Ethernet, Audio, and Touchscreen functions from your own external CD-ROM drive. All the drivers except the CD-ROM drive driver are stored in a CD-ROM disc entitled "Drivers and Utilities."

The standard automatic installation procedures for installing the Chipset, Graphics, Audio, Ethernet, TXE and Touch drivers are described in Chapter 3.

The various drivers and utilities in the CD-ROM disc have their own text files which help users install the drivers and understand their functions. These files are a very useful supplement to the information in this manual.

Troubleshooting

When system behaves abnormally, such as:

1. Failure to power on
2. Failure to power off
3. Power LED ON but no DC power output
4. AC power in and all switches ON, but system doesn't power on

Contact your distributor, sales representative, or Advantech's customer service center for technical support if you need additional assistance. Please have the following information ready before you call:

- Product name and serial number
- Description of your peripheral attachments
- Description of your software (operating system, version, application software, etc.)
- A complete description of the problem
- The exact wording of any error messages
- Symptoms, photo or video if available.

Guidance and Manufacturer's Declaration – Electromagnetic Emissions

The model POC127 is intended for use in an electromagnetic environment as specified below. The customer or the user of the POC127 should assure that it is used in such an environment.

Emissions Test	Compliance	Electromagnetic Environmental Guidance
RF emissions CISPR 11	Group 1	The model POC127 uses RF energy only for its internal function. Therefore, its RF emissions are very low and are not likely to cause any interference in nearby electronic equipment.
RF emissions CISPR 11	Class B	The model POC127 is suitable for use in all establishments, including domestic establishments and those directly connected to the public low-voltage power supply network that supplies buildings used for domestic purposes.
Harmonic emissions IEC 61000-3-2	Class A	
Voltage fluctuations/ flicker emissions IEC 61000-3-3	Not applicable	

Recommended Separation Distances Between Portable and Mobile RF Communications Equipment and the POC127

POC127 is intended for use in an electromagnetic environment in which radiated RF disturbances are controlled. The customer or the user of the model POC -127 can help

prevent electromagnetic interference by maintaining a minimum distance between portable and mobile RF communications equipment (transmitters) and the model POC127 as recommended below, according to the maximum output power of the communications equipment.

Rated Maximum Output Power of Transmitter W	Separation Distance According to Frequency of Transmitter m		
	150 kHz to 80 MHz $d = 1,2\sqrt{P}$	80 MHz to 800 MHz $d = 1,2\sqrt{P}$	800 MHz to 2,5 GHz $d = 2,3\sqrt{P}$
0,01	0,12	0,12	0,23
0,1	0,38	0,38	0,73
1	1,2	1,2	2,3
10	3,8	3,8	7,3
100	12	12	23

For transmitters rated at a maximum output power not listed above, the recommended separation distance d in meters (m) can be estimated using the equation in the table above applicable to the frequency of the transmitter, where P is the maximum output power rating of the transmitter in watts (W) according to the transmitter manufacturer.
NOTE 1 At 80 MHz and 800 MHz, the separation distance for the higher frequency range applies.

NOTE 2 These guidelines may not apply in all situations. Electromagnetic propagation is affected by absorption and reflection from structures, objects and people.

Guidance and Manufacturer's Declaration – Electromagnetic Immunity


POC127 is intended for use in the electromagnetic environment specified below. The customer or the user of the model POC127 should assure that it is used in such an environment.

Immunity Test	IEC 60601 Test Level	Compliance Level	Electromagnetic Environmental Guidance
Electrostatic discharge (ESD) IEC 61000-4-2	±6 kV contact ±8 kV air	±6 kV contact ±8 kV air	Floors should be wood, concrete or ceramic tile. If floors are covered with synthetic material, the relative humidity should be at least 30%.
Electrical fast transient/burst IEC 61000-4-4	±2 kV for power supply lines ±1 kV for input/output lines	±2 kV for power supply lines ±1 kV for input/output lines	Main power quality should be that of a typical commercial or hospital environment.
Surge IEC 61000-4-5	±1 kV line(s) to line(s) ±2 kV line(s) to earth	±1 kV line(s) to line(s) ±2 kV line(s) to earth	Main power quality should be that of a typical commercial or hospital environment.
Interruptions and voltage variations on power supply input lines IEC 61000-4-11	<5% <i>UT</i> (>95% dip in <i>UT</i>) for 0,5 cycle 40% <i>UT</i> (60% dip in <i>UT</i>) for 5 cycles 70% <i>UT</i> (30% dip in <i>UT</i>) for 25 cycles <5% <i>UT</i> (>95% dip in <i>UT</i>) for 5 sec	<5% <i>UT</i> (>95% dip in <i>UT</i>) for 0,5 cycle 40% <i>UT</i> (60% dip in <i>UT</i>) for 5 cycles 70% <i>UT</i> (30% dip in <i>UT</i>) for 25 cycles <5% <i>UT</i> (>95% dip in <i>UT</i>) for 5 sec	Main power quality should be that of a typical commercial or hospital environment. If the user of the model POC127 requires continued operation during main power interruption, it is recommended that the model POC127 be powered from an uninterruptible power supply or a battery.
Power frequency (50/60 Hz) magnetic field IEC 61000-4-8	3 A/m	3 A/m	Power frequency magnetic fields should be at levels characteristic of a typical location in a typical commercial or hospital environment.

NOTE *UT* is the A.C. main voltage prior to application of the test level.

Guidance and Manufacturer's Declaration – Electromagnetic Immunity

The model POC127 is intended for use in the electromagnetic environment specified below. The customer or the user of the model POC127 should assure that it is used in such an environment.

Immunity test	IEC 60601 Test Level	Compliance Level	Electromagnetic Environmental Guidance
<p>Conducted RF IEC 61000-4-6</p> <p>Radiated RF IEC 61000-4-3</p>	<p>3 Vrms 150 kHz to 80 MHz</p> <p>3 V/m 80 MHz to 2,5 GHz</p>	<p>Vrms</p> <p>V/m</p>	<p>Portable and mobile RF communications equipment should be used no closer to any part of the model POC127, including cables, than the recommended separation distance calculated from the equation applicable to the frequency of the transmitter.</p> <p>Recommended Separation Distance</p> $d = 1,2\sqrt{P}$ $d = 1,2\sqrt{P} \text{ 80 MHz to 800 MHz}$ $d = 2,3\sqrt{P} \text{ 800 MHz to 2,5 GHz}$ <p>where P is the maximum output power rating of the transmitter in watts (W) according to the transmitter manufacturer and d is the recommended separation distance in meters (m).</p> <p>Field strengths from fixed RF transmitters, as determined by ^a an electromagnetic site survey, ^a should be less than the compliance level in each frequency range. ^b</p> <p>Interference may occur in the vicinity of equipment marked with the following symbol:</p> 

NOTE 1 At 80 MHz and 800 MHz, the higher frequency range applies.

NOTE 2 These guidelines may not apply in all situations. Electromagnetic propagation is affected by absorption and reflection from structures, objects and people.

^a Field strengths from fixed transmitters, such as base stations for radio (cellular/cordless) telephones and land mobile radios, amateur radio, AM and FM radio broadcast and TV broadcast cannot be predicted theoretically with accuracy. To assess the electromagnetic environment due to fixed RF transmitters, an electromagnetic site survey should be considered. If the measured field strength in the location in which the POC127 is used exceeds the applicable RF compliance level above, the POC127 should be observed to verify normal operation. If abnormal performance is observed, additional measures may be necessary, such as reorienting or relocating the unit.

^b Over the frequency range 150 kHz to 80 MHz, field strengths should be less than 3 V/m.

Operation and Safety

3.1 General Safety Guide

For your own safety and that of your equipment, always take the following precautions.

Disconnect the power plug (by pulling the plug, not the cord), from your computer if any of the following conditions exists:

- The power cord or plug becomes frayed or otherwise damaged
- You spill something into the case
- Your computer has been dropped or the case has been otherwise damaged
- You suspect that your computer needs service or repair
- You want to clean the computer or screen
- You want to remove/install any parts

3.2 Protecting Your Optical Drive

To keep your optical drive working properly:

- Position your computer so that the drive tray doesn't bump into anything when it opens.
- Close the drive when you're not using it.
- Do not put anything on the drive tray when it is open.
- Do not touch the optical drive lens with your fingers. Do not wipe the lens with a paper towel or other abrasive surface.

3.3 Thermal

The vent hole of the POC127 rear cover functions as a cooling air flow inlet and outlet. These air inlets and outlets transfer heat from inside the computer to the cooler air outside. Do not block these holes/vents with any soft material.

When using your POC127 system, it is normal for the rear metal heatsink to get warm. The rear metal heatsink of the POC127 functions as a cooling surface that transfers heat from inside the computer to the cooler air outside. Do not block this heatsink with any soft material.

Warning! Do not place your POC127 system on a pillow or other soft material when it is on, as the material may block the airflow and cause the com-puter to overheat.



3.4 Disconnect the Power

The only way to disconnect power completely is to unplug the adapter power cord. Make sure at least one end of the power cord is within easy reach so that you can unplug the computer when you need to.

Warning! Your AC cord came equipped with a three-wire grounding plug (a plug that has a third grounding pin). This plug will fit only a grounded AC out-let. If you are unable to insert the plug into

an outlet because the outlet is not grounded, contact a licensed electrician to replace the outlet with a properly grounded outlet. Do not defeat the purpose of the grounding plug.

Warning! *Never push objects of any kind into this product through the openings in the case.*



Doing so may be dangerous and result in fire or a dangerous electric shock.

Never place anything on system case before turning off the computer.

Never turn on your computer unless all of its internal and external parts are in place.

Operating the computer when it is open or missing parts can be dangerous and can dama

A.1 Install VESA Mounting

The POC127 also provides standard VESA mounting to help system integrators conveniently integrate the panel PC into their system.

Never use mounting brackets except as provided by Advantech to prevent unreliable mounting of the POC127. VESA mount installation should be carried out by a professional technician; please contact a service technician or your retailer if you need this service.

Installation instructions follow:

1. First attach wall-mounting to the heat-sink of the POC127, securing it in place with the four Phillips-head screws provided.
2. Mount the unit on the wall, stand or other flat surface.

Warning! Be sure to secure the screws of the mounting bracket tightly. A loose joint between the POC127 and mounting bracket may create danger of injury.

