

# User Manual

CAUTION: DANGER OF EXPLOSION IF BATTERY IS INCORRECTLY REPLACED. REPLACE ONLY WITH THE SAME OR EQUIVALENT TYPE RECOMMENDED BY THE MANUFACTURER, DISCARD USED BATTERIES ACCORDING TO THE MANUFACTURER'S INSTRUCTIONS.

ATTENTION : DANGER D'EXPLOSION SI LA BATTERIE EST INEXACTEMENT REMPLACÉE. REMPLACEZ SEULEMENT AVEC LA MÊME CHOSE OU LE TYPE ÉQUIVALENT RECOMMANDÉ PAR LE FABRICANT, JETTENT LES BATTERIES UTILISÉES  
INSTRUCTIONS DE S SELON FABRICANT DES'

# FCC statement(1/2)

## **Federal Communications Commission (FCC) Statement**

15.21

You are cautioned that changes or modifications not expressly approved by the part responsible for compliance could void the user's authority to operate the equipment.

15.105(b)

This equipment has been tested and found to comply with the limits for a Class B digital device, pursuant to part 15 of the FCC rules. These limits are designed to provide reasonable protection against harmful interference in a residential installation. This equipment generates, uses and can radiate radio frequency energy and, if not installed and used in accordance with the instructions, may cause harmful interference to radio communications. However, there is no guarantee that interference will not occur in a particular installation. If this equipment does cause harmful interference to radio or television reception, which can be determined by turning the equipment off and on, the user is encouraged to try to correct the interference by one or more of the following measures:

- Reorient or relocate the receiving antenna.
- Increase the separation between the equipment and receiver.
- Connect the equipment into an outlet on a circuit different from that to which the receiver is connected.
- Consult the dealer or an experienced radio/TV technician for help.

# FCC statement(2/2)

**This device complies with Part 15 of the FCC Rules. Operation is subject to the following two conditions:**

- 1) this device may not cause harmful interference and
- 2) this device must accept any interference received, including interference that may cause undesired operation of the device.

**FCC RF Radiation Exposure Statement:**

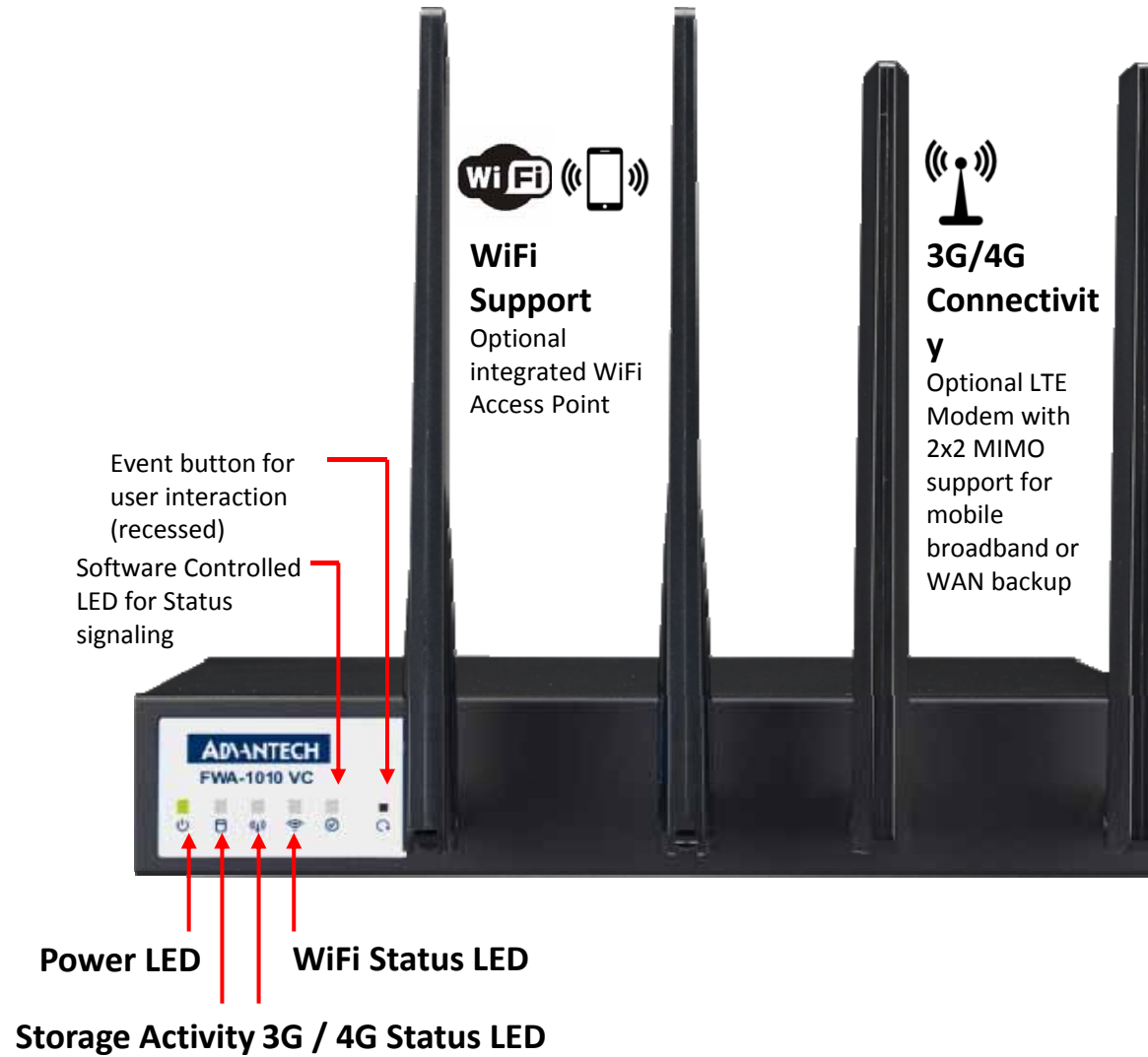
This Transmitter must not be co-located or operating in conjunction with any other antenna or transmitter.

This equipment complies with RF radiation exposure limits set forth for an uncontrolled environment. This equipment should be installed and operated with a minimum distance of 20 cm between the radiator and your body.

# Spec

Processor System	CPU	Intel® Atom™ Processor C2558	Intel® Atom™ Processor C2758
	Core Count	4	8
	Frequency	2.4GHz	
	L2 Cache	2MB	4MB
Memory	Technology	Single-Channel for dual DDR3/DDR3L-1600 UDIMMs	
	ECC Support	Yes	
	Socket	2x 240pin UDIMM, Up to 16GB per socket	
Ethernet	2x 1GbE RJ45 or SFP auto-negotiation link via Marvell 88E1112 2x RJ45 copper via Intel I350-AM2 2x RJ45 copper via Marvell 88E1112 PHYs		
Storage	1x 2.5" SATAIII SSD 1x M.2 2280 SATA3 SSD socket <sup>P1</sup> (Option 2x M.2 2242)		
WiFi	1x Full-sized Mini-PCIe slot with SIM socket for LTE module <sup>P2</sup> plus 2x Antenna 1x M.2 2232 slot for Wifi module <sup>P3</sup> plus 2x Antenna		
Other Rear I/O	1x Power Switch 1x USB 2.0 ports 1x Console port 1x DC Jack for 60W/ 100~240V adaptor		
Front LED/button	Power, Storage, LTE, WiFi, SW defined status, Recessed SW defined button		
Thermal solution	1x system FAN with smart FAN for maximum 37.5dB(A)		
Power Supply	Wattage	12VDC 5A, 60W external adaptor	
Environment	<b>Operating</b> Temperature 0~40°C (32 ~ 104 °F) Humidity 5~85% (Non-condensing)		<b>Non-Operating</b> Temperature -20~80°C (-4 ~ 167° F) Humidity 5~95% (Non-condensing)
Physical	Dimensions (W x L x H)	250 x 190 x 44 mm (11" x 6.9" x 1.7")	
	Weight(N.W)	2.5 Kg (4.1lb)	
This product is intended to be supplied by a Listed Power Adapter or DC power source, rated 12Vdc, 5A minimum and Tma 40 degree C, if need further assistance, please contact Advantech for further information. (Tma 40 degree C = Operating temperature)			

# Front View

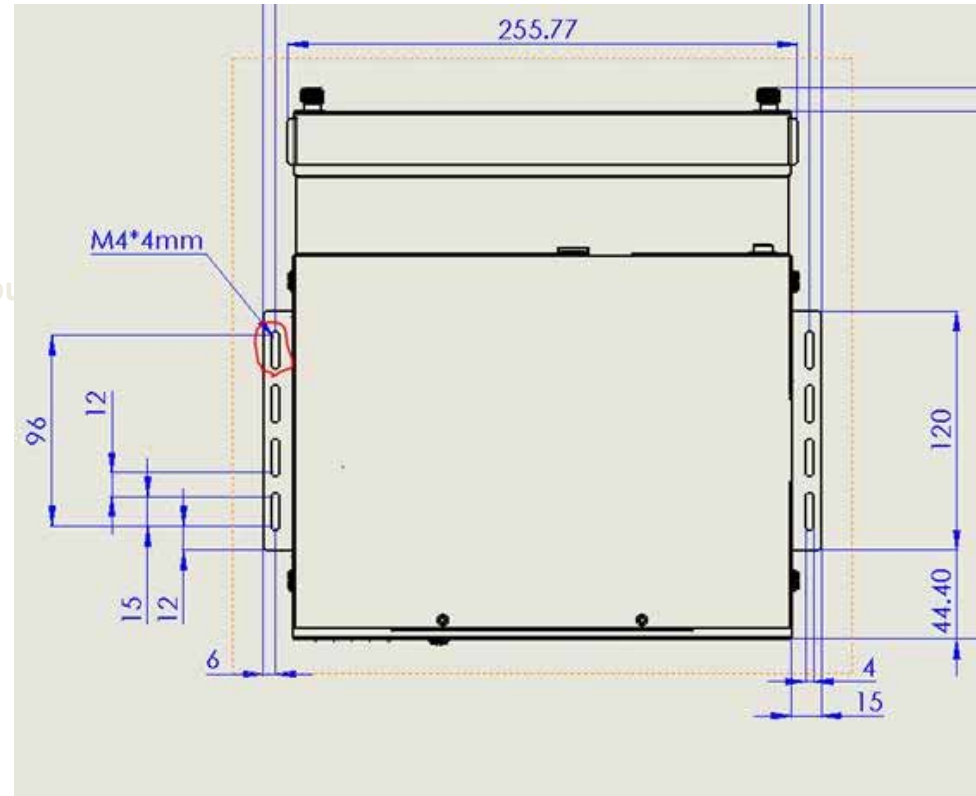
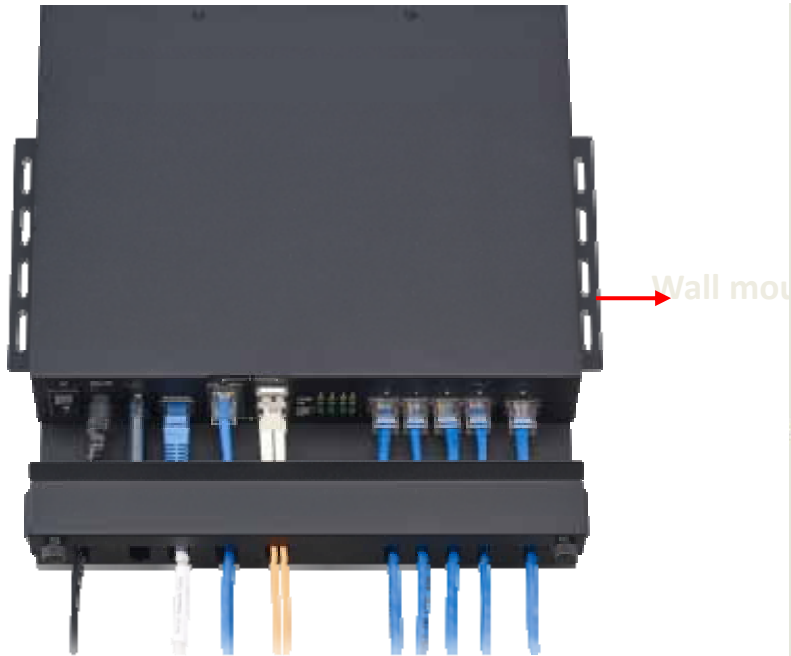


# Connectivity



1	Power on button
2	DC-IN
3	1x USB port
4	1x RJ45 type console port
5	2x RJ45 copper or SFP dual media ports
6	2x RJ45 copper via Intel I350-AM2
7	2x RJ45 copper via Marvell 88E1112 PHYs

# Optional Accessory-Wall mount





# Optional Accessory-Rack mount

