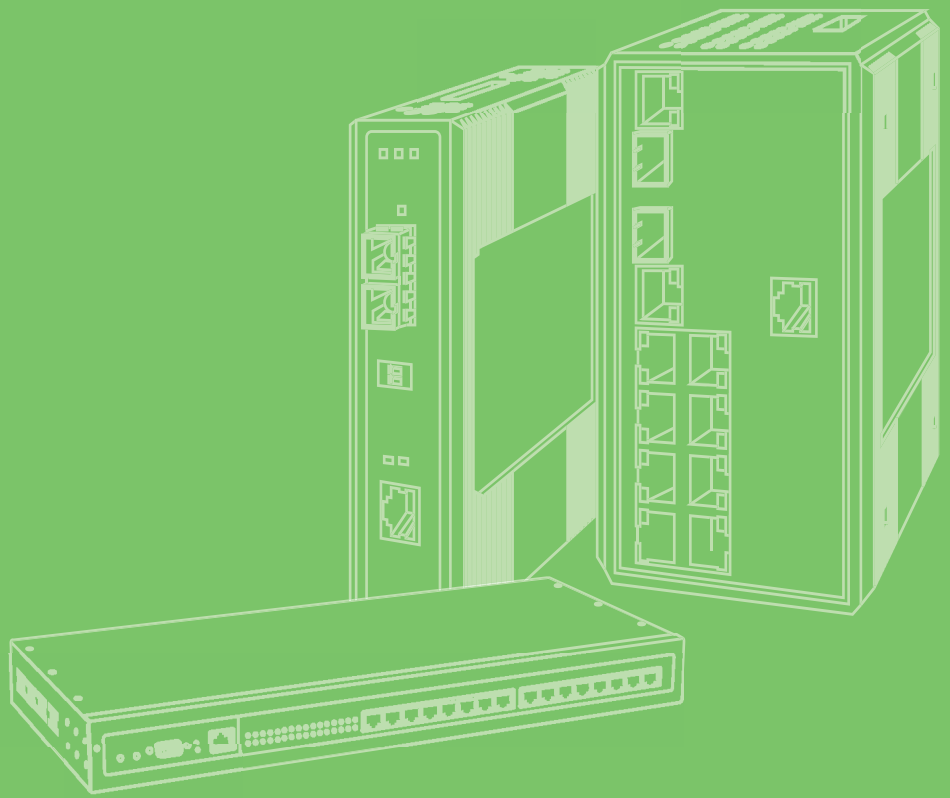


User Manual



# EKI-6233BN

Industrial Wi-Fi Client

**ADVANTECH**

*Enabling an Intelligent Planet*



## Copyright

The documentation and the software included with this product are copyrighted 2022 by Advantech Co., Ltd. All rights are reserved. Advantech Co., Ltd. reserves the right to make improvements in the products described in this manual at any time without notice. No part of this manual may be reproduced, copied, translated or transmitted in any form or by any means without the prior written permission of Advantech Co., Ltd. Information provided in this manual is intended to be accurate and reliable. However, Advantech Co., Ltd. assumes no responsibility for its use, nor for any infringements of the rights of third parties, which may result from its use.

## Acknowledgments

Intel and Pentium are trademarks of Intel Corporation.

Microsoft Windows and MS-DOS are registered trademarks of Microsoft Corp.

All other product names or trademarks are properties of their respective owners.

## Product Warranty (5 years)

Advantech warrants to you, the original purchaser, that each of its products will be free from defects in materials and workmanship for five years from the date of purchase.

This warranty does not apply to any products which have been repaired or altered by persons other than repair personnel authorized by Advantech, or which have been subject to misuse, abuse, accident or improper installation. Advantech assumes no liability under the terms of this warranty as a consequence of such events.

Because of Advantech's high quality-control standards and rigorous testing, most of our customers never need to use our repair service. If an Advantech product is defective, it will be repaired or replaced at no charge during the warranty period. For out-of-warranty repairs, you will be billed according to the cost of replacement materials, service time and freight. Please consult your dealer for more details.

If you think you have a defective product, follow these steps:

1. Collect all the information about the problem encountered. (For example, CPU speed, Advantech products used, other hardware and software used, etc.) Note anything abnormal and list any on-screen messages you get when the problem occurs.
2. Call your dealer and describe the problem. Please have your manual, product, and any helpful information readily available.
3. If your product is diagnosed as defective, obtain an RMA (return merchandise authorization) number from your dealer. This allows us to process your return more quickly.
4. Carefully pack the defective product, a fully-completed Repair and Replacement Order Card and a photocopy proof of purchase date (such as your sales receipt) in a shippable container. A product returned without proof of the purchase date is not eligible for warranty service.
5. Write the RMA number visibly on the outside of the package and ship it prepaid to your dealer.

---

# Declaration of Conformity

## CE

This product has passed the CE test for environmental specifications. Test conditions for passing included the equipment being operated within an industrial enclosure. In order to protect the product from being damaged by ESD (Electrostatic Discharge) and EMI leakage, we strongly recommend the use of CE-compliant industrial enclosure products.

## FCC Class B

This equipment has been tested and found to comply with the limits for a Class B digital device, pursuant to Part 15 of the FCC Rules. These limits are designed to provide reasonable protection against harmful interference in a residential installation. This equipment generates, uses and can radiate radio frequency energy and, if not installed and used in accordance with the instructions, may cause harmful interference to radio communications. However, there is no guarantee that interference will not occur in a particular installation. If this equipment does cause harmful interference to radio or television reception, which can be determined by turning the equipment off and on, the user is encouraged to try to correct the interference by one of the following measures:

- Reorient or relocate the receiving antenna.
- Increase the separation between the equipment and receiver.
- Connect the equipment into an outlet on a circuit different from that to which the receiver is connected.
- Consult the dealer or an experienced radio/TV technician for help.

FCC Caution: Any changes or modifications not expressly approved by the party responsible for compliance could void the user's authority to operate this equipment.

This device complies with Part 15 of the FCC Rules. Operation is subject to the following two conditions: (1) This device may not cause harmful interference, and (2) this device must accept any interference received, including interference that may cause undesired operation.

### **FCC RF Radiation Exposure Statement:**

1. This Transmitter must not be co-located or operating in conjunction with any other antenna or transmitter.
2. This equipment complies with FCC RF radiation exposure limits set forth for an uncontrolled environment. This equipment should be installed and operated with a minimum distance of 20 centimeters between the radiator and your body.

## Technical Support and Assistance

1. Visit the Advantech web site at [www.advantech.com/support](http://www.advantech.com/support) where you can find the latest information about the product.
2. Contact your distributor, sales representative, or Advantech's customer service center for technical support if you need additional assistance. Please have the following information ready before you call:
  - Product name and serial number
  - Description of your peripheral attachments
  - Description of your software (operating system, version, application software, etc.)
  - A complete description of the problem
  - The exact wording of any error messages

## Warnings, Cautions and Notes

**Warning!** *Warnings indicate conditions, which if not observed, can cause personal injury!*



**Caution!** *Cautions are included to help you avoid damaging hardware or losing data. e.g.*



*There is a danger of a new battery exploding if it is incorrectly installed. Do not attempt to recharge, force open, or heat the battery. Replace the battery only with the same or equivalent type recommended by the manufacturer. Discard used batteries according to the manufacturer's instructions.*

**Note!** *Notes provide optional additional information.*



## Document Feedback

To assist us in making improvements to this manual, we would welcome comments and constructive criticism. Please send all such - in writing to: [support@advantech.com](mailto:support@advantech.com)

---

## Packing List

Before setting up the system, check that the items listed below are included and in good condition. If any item does not accord with the table, please contact your dealer immediately.

- 1 x WiFi Client device
- 1 x DIN-Rail Mounting Bracket and Screws
- 1 x Wall-mounting Bracket
- 2 x Antennas

## Safety Instructions

- Read these safety instructions carefully.
- Keep this User Manual for later reference.
- This device is for indoor use only.
- Disconnect this equipment from any DC outlet before cleaning. Use a damp cloth. Do not use liquid or spray detergents for cleaning.
- For plug-in equipment, the power outlet socket must be located near the equipment and must be easily accessible.
- Keep this equipment away from humidity.
- Put this equipment on a reliable surface during installation. Dropping it or letting it fall may cause damage.
- The openings on the enclosure are for air convection. Protect the equipment from overheating. **DO NOT COVER THE OPENINGS.**
- Make sure the voltage of the power source is correct before connecting the equipment to the power outlet.
- Position the power cord so that people cannot step on it. Do not place anything over the power cord.
- All cautions and warnings on the equipment should be noted.
- If the equipment is not used for a long time, disconnect it from the power source to avoid damage by transient overvoltage.
- Never pour any liquid into an opening. This may cause fire or electrical shock.
- Never open the equipment. For safety reasons, the equipment should be opened only by qualified service personnel.
- If one of the following situations arises, get the equipment checked by service personnel:
  - The power cord or plug is damaged.
  - Liquid has penetrated into the equipment.
  - The equipment has been exposed to moisture.
  - The equipment does not work well, or you cannot get it to work according to the user's manual.
  - The equipment has been dropped and damaged.
  - The equipment has obvious signs of breakage.
- **DO NOT LEAVE THIS EQUIPMENT IN AN ENVIRONMENT WHERE THE STORAGE TEMPERATURE MAY GO  $-40^{\circ}\text{C}$  ( $-40^{\circ}\text{F}$ )  $\sim$   $80^{\circ}\text{C}$  ( $176^{\circ}\text{F}$ ). THIS COULD DAMAGE THE EQUIPMENT. THE EQUIPMENT SHOULD BE IN A CONTROLLED ENVIRONMENT.**
- The sound pressure level at the operator's position according to IEC 704-1:1982 is no more than 70 dB (A).  
DISCLAIMER: This set of instructions is given according to IEC 704-1. Advantech disclaims all responsibility for the accuracy of any statements contained herein.

## Safety Precaution - Static Electricity

Static electricity can cause bodily harm or damage electronic devices. To avoid damage, keep static-sensitive devices in the static-protective packaging until the installation period. The following guidelines are also recommended:

- Wear a grounded wrist or ankle strap and use gloves to prevent direct contact to the device before servicing the device. Avoid nylon gloves or work clothes, which tend to build up a charge.
- Always disconnect the power from the device before servicing it.
- Before plugging a cable into any port, discharge the voltage stored on the cable by touching the electrical contacts to the ground surface.

## About the Device

This device is for indoor use only.

# Contents

<b>Chapter 1</b>	<b>Introduction .....</b>	<b>1</b>
1.1	Overview .....	2
1.2	Features .....	2
1.3	Specifications .....	3
1.4	Dimensions .....	4
<b>Chapter 2</b>	<b>Getting Started .....</b>	<b>5</b>
2.1	Hardware .....	6
2.1.1	Front View .....	6
2.1.2	Rear View .....	7
2.1.3	Top View .....	7
2.1.4	LED Indicators .....	8
2.2	Connecting Hardware .....	9
2.2.1	DIN Rail Mounting .....	9
2.2.2	Wall-Mounting .....	11
2.2.3	Wireless Connection .....	12
2.2.4	Network Connection .....	13
2.2.5	Power Connection .....	14
2.3	Reset Button .....	18
<b>Chapter 3</b>	<b>Utility Configuration .....</b>	<b>19</b>
3.1	Installing the Configuration Utility .....	20
3.2	Starting the Configuration Utility .....	23
3.3	Discovering Your Device .....	24
3.3.1	Auto Searching .....	24
3.4	Network Settings .....	26
3.5	Administrator Settings .....	28
3.5.1	Locate the Device .....	28
3.5.2	Restore to Factory Default Settings .....	29
3.5.3	Resetting the Device .....	30
3.5.4	Add to Favorite .....	31
3.5.5	Update Firmware .....	32
<b>Chapter 4</b>	<b>Web Interface .....</b>	<b>33</b>
4.1	Overview .....	34
4.2	Accessing the Web Page .....	34
4.2.1	Accessing the Web Page via Configuration Utility .....	34
4.2.2	Accessing the Web Page via Web Browser .....	35
4.3	Overview .....	35
4.4	Network Settings .....	36
4.4.1	Wireless WAN .....	36
4.4.2	LAN .....	38
4.4.3	Forwarding .....	43
4.4.4	Security .....	44
4.5	Wireless Settings .....	45
4.5.1	Basic .....	45
4.5.2	Advanced .....	46
4.5.3	Security .....	47



	4.5.4	Statistics.....	48
	4.5.5	Site Survey.....	48
	4.5.6	Log.....	49
4.6		Alarm.....	49
	4.6.1	Setting.....	49
	4.6.2	Event.....	51
	4.6.3	LogFile.....	52
4.7		Administration.....	52
	4.7.1	System.....	52
	4.7.2	Syslog.....	52
	4.7.3	NTP / Time Function.....	53
	4.7.4	HTTP.....	54
	4.7.5	Scheduler.....	55
	4.7.6	Configuration.....	55
	4.7.7	Firmware Upgrade.....	56
	4.7.8	Tools.....	56

## Chapter 5 Telnet Console Configuration 58

5.1		Overview.....	59
5.2		Telnet Console.....	59
	5.2.1	Create a new connection.....	59
	5.2.2	Input the IP address.....	60
	5.2.3	Connection Success.....	60
5.3		Command List.....	61
	5.3.1	system.....	61
	5.3.2	port.....	61
	5.3.3	portadv.....	62
	5.3.4	mvcom.....	62
	5.3.5	mctrl.....	63
	5.3.6	mdata.....	63
	5.3.7	net.....	63
	5.3.8	alarm.....	64
	5.3.9	monitor.....	64
	5.3.10	time.....	64
	5.3.11	service.....	64
	5.3.12	apply.....	65
	5.3.13	exit.....	65
	5.3.14	help.....	65
	5.3.15	wireless.....	65
	5.3.16	wirelessadv.....	66
	5.3.17	reboot.....	66
	5.3.18	mrfc2217.....	66

# List of Figures

Figure 1.1	EKI-6233BN Dimensions.....	4
Figure 2.1	EKI-6233BN Front View .....	6
Figure 2.2	Rear View.....	7
Figure 2.3	Top View .....	7
Figure 2.4	System LED Panel .....	8
Figure 2.5	Installing the DIN-Rail Mounting Kit.....	9
Figure 2.6	Correctly Installed DIN Rail Kit.....	10
Figure 2.7	Removing the DIN-Rail.....	10
Figure 2.8	Installing Wall Mount Plates .....	11
Figure 2.9	Wall Mount Installation .....	12
Figure 2.10	Installing the Antenna.....	12
Figure 2.11	Positioning the Antenna .....	13
Figure 2.12	Ethernet Plug & Connector Pin Position.....	13
Figure 2.13	Power Wiring for EKI-6233BN.....	14
Figure 2.14	Grounding Connection .....	16
Figure 2.15	Terminal Receptor: Relay Contact .....	16
Figure 2.16	Terminal Receptor: Power Input Contacts .....	17
Figure 2.17	Removing a Terminal Block .....	17
Figure 2.18	Installing DC Wires in a Terminal Block .....	17
Figure 2.19	Securing a Terminal Block to a Receptor.....	18
Figure 3.1	InstallShield Wizard 1 of 4.....	20
Figure 3.2	InstallShield Wizard 2 of 4.....	21
Figure 3.3	InstallShield Wizard 3 of 4.....	21
Figure 3.4	InstallShield Wizard 4 of 4.....	22
Figure 3.5	Configuration Utility Overview .....	23
Figure 3.6	Open View of Serial Device Configuration Utility .....	24
Figure 3.7	Selecting a Group.....	25
Figure 3.8	Selecting a Device.....	25
Figure 3.9	Viewing Basic Settings.....	25
Figure 3.10	Utility Overview.....	26
Figure 3.11	Network Settings Overview .....	27
Figure 3.12	Locate the Device.....	28
Figure 3.13	Restore to Factory Default Settings .....	29
Figure 3.14	Reset Device .....	30
Figure 3.15	Add to Favorite .....	31
Figure 3.16	Update Firmware.....	32
Figure 4.1	Accessing the Web Page via Configuration Utility .....	34
Figure 4.2	System Info .....	35
Figure 4.3	Network Settings > Wireless WAN > Network Mode.....	36
Figure 4.4	Network Settings > Wireless WAN >Network Mode > Static.....	37
Figure 4.5	Network Settings > Wireless WAN >Network Mode > DHCP .....	37
Figure 4.6	Wireless WAN Topology .....	38
Figure 4.7	Network Settings > LAN .....	38
Figure 4.8	Network Settings > LAN > DHCP/AutoIP .....	40
Figure 4.9	Network Settings > LAN > DHCP/BOOTP/AutoIP .....	41
Figure 4.10	Network Settings > LAN > BOOTP/AutoIP.....	42
Figure 4.11	Port Forwarding.....	43
Figure 4.12	Networking Settings > <b>Forwarding</b> > Port Forwarding .....	<b>43</b>
Figure 4.13	Networking > <b>Forwarding</b> > DMZ.....	44
Figure 4.14	Networking Settings > <b>Security</b> > Filter .....	44
Figure 4.15	Wireless Settings > Basic.....	45
Figure 4.16	Wireless Settings > Advanced.....	46
Figure 4.17	Wireless Settings > Security.....	47
Figure 4.18	Wireless Settings > Statistics .....	48
Figure 4.19	Wireless Settings > Site Survey .....	48
Figure 4.20	Wireless Settings > Log.....	49

Figure 4.21	Alarm > Setting .....	50
Figure 4.22	Alarm > Event .....	51
Figure 4.23	Alarm > LogFile .....	52
Figure 4.24	Administration > System .....	52
Figure 4.25	Administration > Syslogd .....	53
Figure 4.26	Administration > NTP / Time .....	53
Figure 4.27	Administration > HTTP .....	54
Figure 4.28	Administration > Scheduler .....	55
Figure 4.29	Administration > Configuration .....	55
Figure 4.30	Administration > Firmware Upgrade .....	56
Figure 4.31	Administration > Tools .....	56
Figure 5.1	Creating a Telnet Connection .....	59
Figure 5.2	Creating a Telnet Connection .....	60
Figure 5.3	Telnet Connection Console .....	60

# Chapter 1

Introduction

## 1.1 Overview

The EKI-6233BN client device allows data transmission from LAN interface via Wi-Fi wireless technology transmit to a network. Design with one Ethernet port and 802.11 a/b/g/n 2x2 MIMO supported. EKI-6233BN provides a quick, simple and cost-effective way to deliver remote management and data accessibility to thousands of devices that cannot connect to a network. In addition, you can actively request data or issue commands from wireless LAN side. The EKI-6233BN is specifically well suited for remote monitoring environments such as security systems, factory automation and mobile devices on automobiles.

Types of supported devices:

- Human Machine Interface (HMI)
- Programmable Logic Controller (PLC)
- Flow meters
- Temperature / pressure monitoring equipment
- Gas leak detection device
- Scales
- Power monitoring equipment
- Data Acquisition Modules

## 1.2 Features

- Support a/b/g/n 2x2 MIMO
- WLAN transmission rate up to 300Mbps
- Support secure access with WEP, WPA/WPA2-Personal, WPA/WPA2-Enterprise
- Provide Web-based configuration
- Support Dual band 2.4/5GHz selective

## 1.3 Specifications

Specifications	Description	
Interface	I/O Port	RJ45
	Power Connector	Terminal block
Physical	Enclosure	Metal shell with solid mounting kits
	Installation	DIN-rail and wall mount
	Dimensions (W x H x D)	103 x 95 x 25 mm (4.06" x 3.74" x 0.98")
	Weight	300g (10.58 oz)
	IP Rating	IP30
LED Display	System LED	Power 1, power 2, system status
	Port LED	<ul style="list-style-type: none"> <li>■ WLAN: Quality, Link/Active</li> <li>■ LAN: Link/Active</li> </ul>
Environment	Operating Temperature	-40°C ~ 70°C (-40°F ~ 166°F)
	Storage Temperature	-40°C ~ 80°C (-40°F ~ 176°F)
	Ambient Relative Humidity	10 ~ 95% RH
Wireless LAN Communications	Compatibility	IEEE 802.11a/b/g/n
	Speed	Up to 300 Mbps
	Antenna	2 (supports 2T2R)
	Free Space Range	Open space 100 m
	Wireless Security	WEP, WPA/WPA2-Personal, WPA/WPA2-Enterprise
Ethernet Communications	Compatibility	IEEE 802.3, IEEE 802.3u
	Speed	10/100 Mbps
	Port Connector	8-pin RJ45
	Protection	Built-in 1.5 KV magnetic isolation
Power	Power Input	12 ~ 48V <sub>DC</sub> , redundant dual inputs
	Power Connector	Terminal block
	Power Consumption	2W maximum
Software	Driver Support	32-bit/64-bit Windows XP/Vista/7/8/8.1/10, Windows Server 2003/2008/2008 R2/2012/2012 R2 and Linux
	Utility	Advantech EKI Device Configuration Utility
	Operation Modes	WiFi client
	Configuration	Windows utility, Telnet console, Web browser
	Protocol	ARP, ICMP, IPv4, IPv6, SNMP, Telnet, TCP, UDP, DHCP Client, DNS, HTTP, Sntp
Regulatory Approvals	EMC	CE/RED/FCC

## 1.4 Dimensions

The following view depicts the EKI-6233BN.

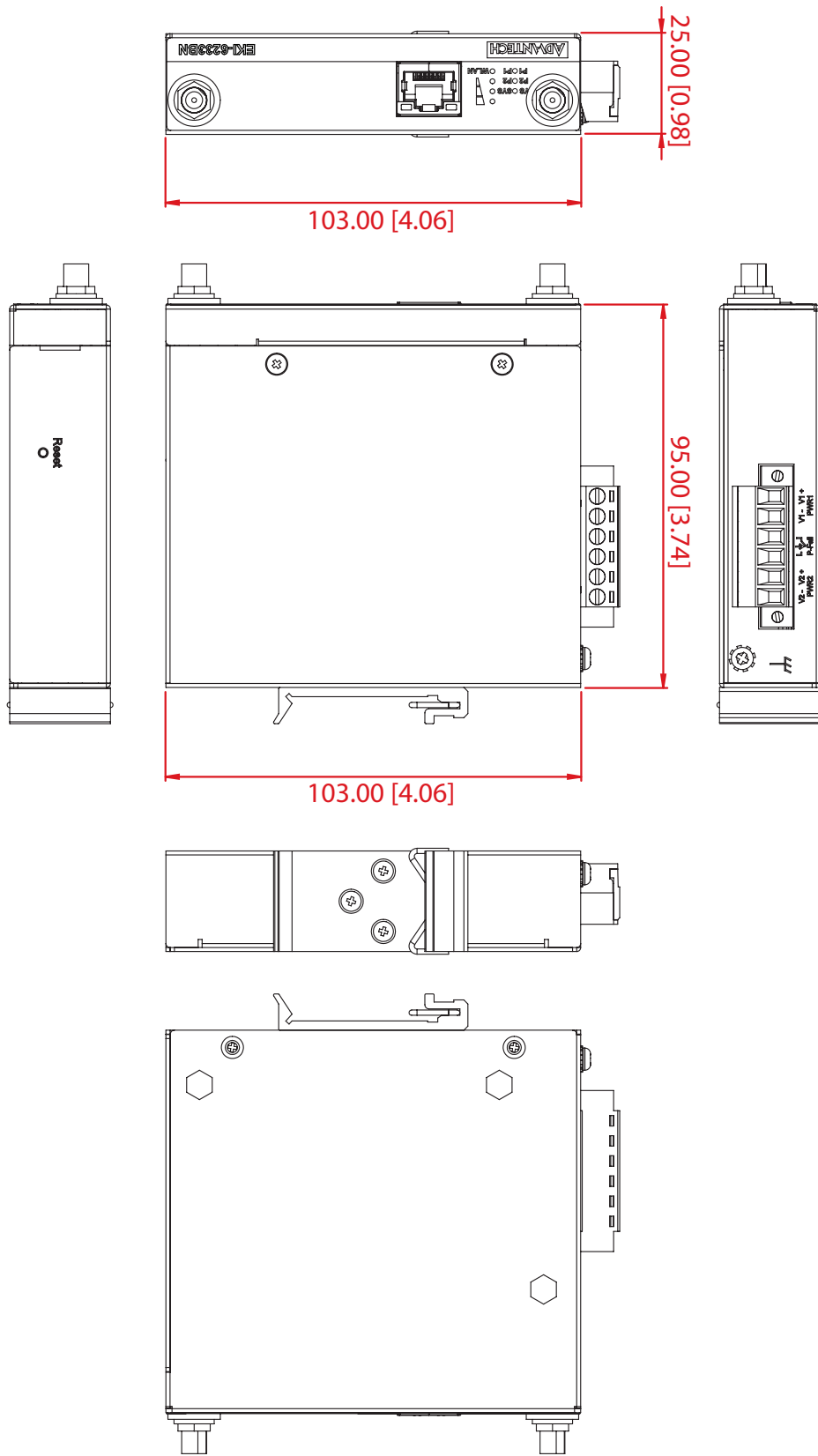


Figure 1.1 EKI-6233BN Dimensions

# Chapter 2

Getting Started



## 2.1 Hardware

### 2.1.1 Front View

The following view shows the EKI-6233BN.

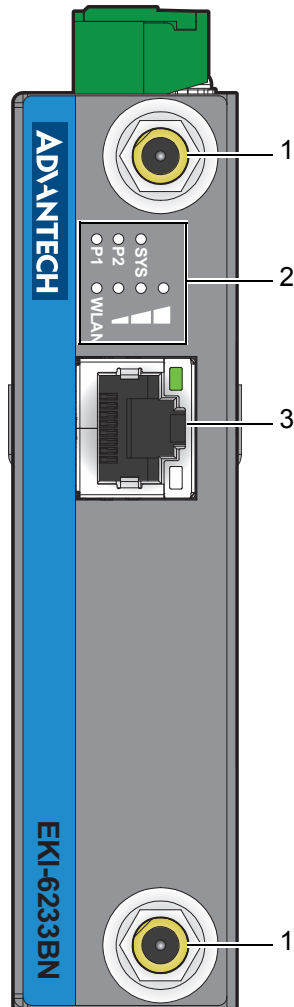


Figure 2.1 EKI-6233BN Front View

No.	Item	Description
1.	Antenna connector	Connector for antenna.
2.	System LED panel	See "LED Indicators" on page 8 for further details.
3.	ETH port	RJ45 ports x 1.

## 2.1.2 Rear View

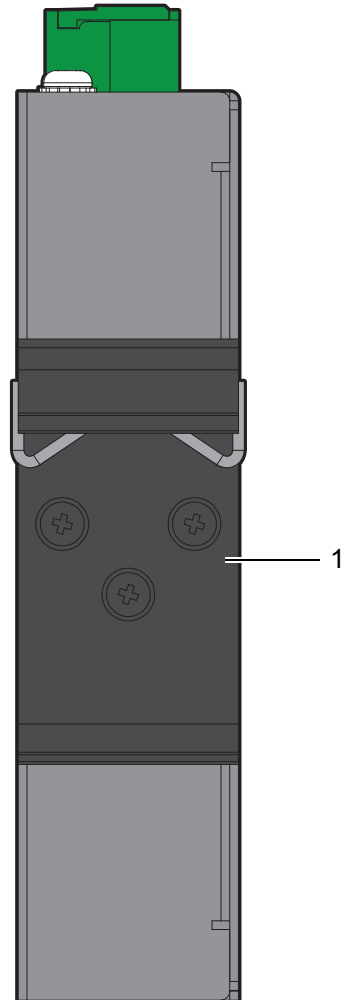


Figure 2.2 Rear View

No.	Item	Description
1.	DIN-Rail mounting plate	Mounting plate used for the installation to a standard DIN rail

## 2.1.3 Top View

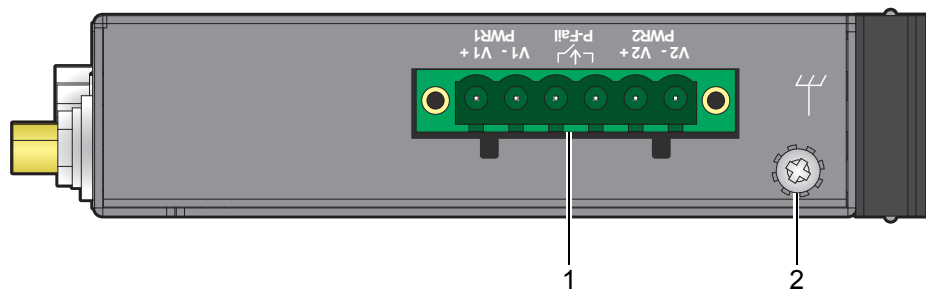
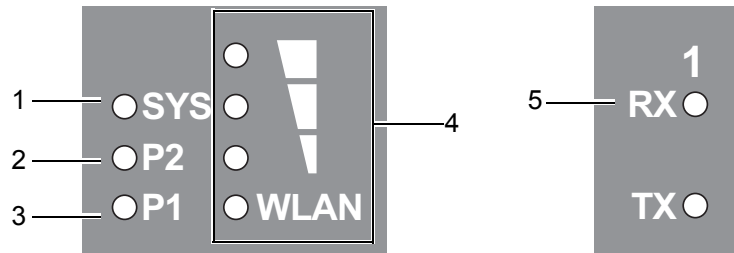


Figure 2.3 Top View

No.	Item	Description
1.	Terminal block	Connect cabling for power and alarm wiring
2.	Ground terminal	Screw terminal used to ground chassis

## 2.1.4 LED Indicators



**Figure 2.4 System LED Panel**

No.	LED Name	LED Color	Description
1.	Status	Amber, blinking	System is ready
		Off	System is not functioning
2.	P2	Green	Power 2 is on
		Off	Power 2 is off or power error condition exists
3.	P1	Green	Power 1 is on
		Off	Power 1 is off or power error condition exists
4.	WLAN Signal Strength	Off	No signal available
		Green (One)	Signal quality is less than -80 dBm
		Green (Two)	Signal quality is between -80 dBm and -60 dBm
		Green (Three)	Signal quality is more than -60 dBm

## 2.2 Connecting Hardware

### 2.2.1 DIN Rail Mounting

The DIN rail mount option is the quickest installation option. Additionally, it optimizes the use of rail space.

The metal DIN rail kit is secured to the rear of the gateway. The device can be mounted onto a standard 35 mm (1.37") x 7.5 mm (0.3") height DIN rail. The devices can be mounted vertically or horizontally. Refer to the following guidelines for further information.

**Note!** A corrosion-free mounting rail is advisable.



When installing, make sure to allow for enough space to properly install the cabling.

#### 2.2.1.1 Installing the DIN-Rail Mounting Kit

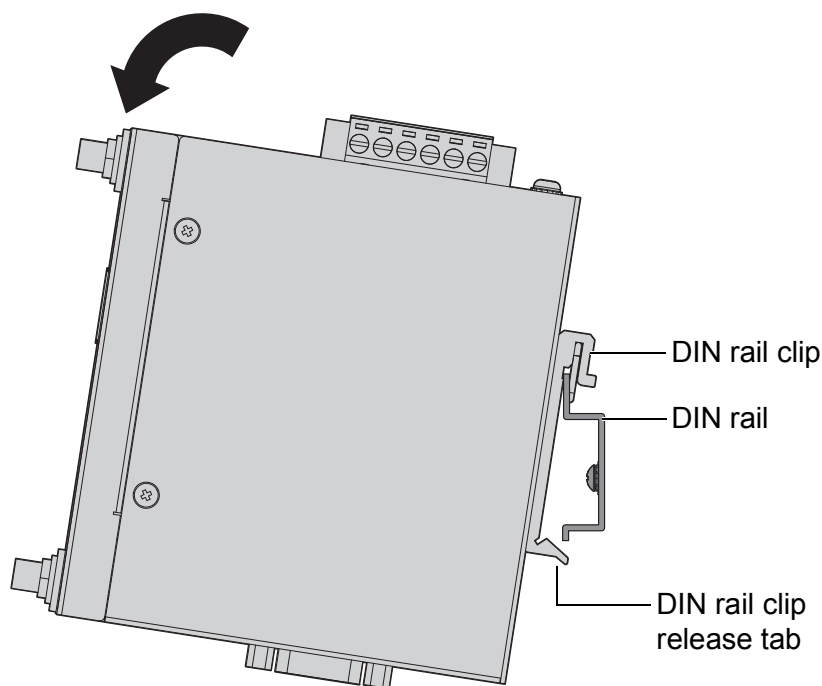
1. Position the rear panel of the gateway directly in front of the DIN rail, making sure that the top of the DIN rail clip hooks over the top of the DIN rail, as shown in the following illustration.

**Warning!** Do not install the DIN rail under or in front of the spring mechanism on the DIN rail clip to prevent damage to the DIN rail clip or the DIN rail.



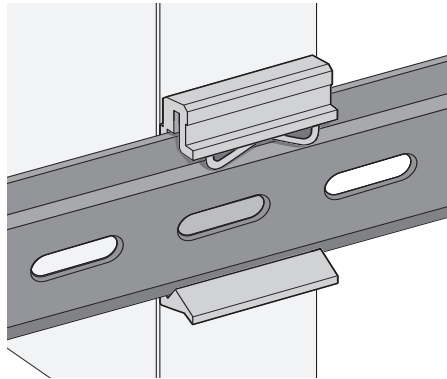
Make sure the DIN rail is inserted behind the spring mechanism.

2. Once the DIN rail is seated correctly in the DIN rail clip, press the front of the gateway to rotate the gateway down and into the release tab on the DIN rail clip. If seated correctly, the bottom of the DIN rail should be fully inserted in the release tab.



**Figure 2.5 Installing the DIN-Rail Mounting Kit**

See the following figure for an illustration of a completed DIN installation procedure.

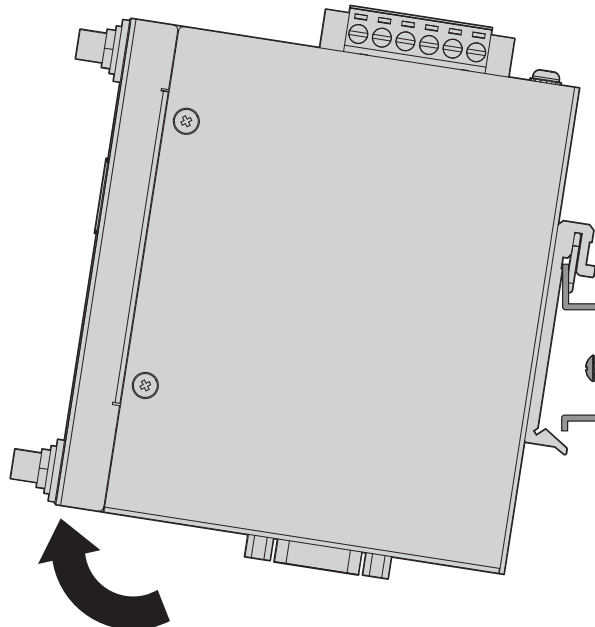


**Figure 2.6 Correctly Installed DIN Rail Kit**

3. Grasp the bottom of the gateway and slightly rotate it upwards. If there is resistance, the gateway is correctly installed. Otherwise, re-attempt the installation process from the beginning.

#### **2.2.1.2 Removing the DIN-Rail Mounting Kit**

1. Ensure that power is removed from the gateway, and disconnect all cables and connectors from the front panel of the gateway.
2. Push down on the top of the DIN rail clip release tab with your finger. As the clip releases, lift the bottom of the gateway, as shown in the following illustration.



**Figure 2.7 Removing the DIN-Rail**

## 2.2.2 Wall-Mounting

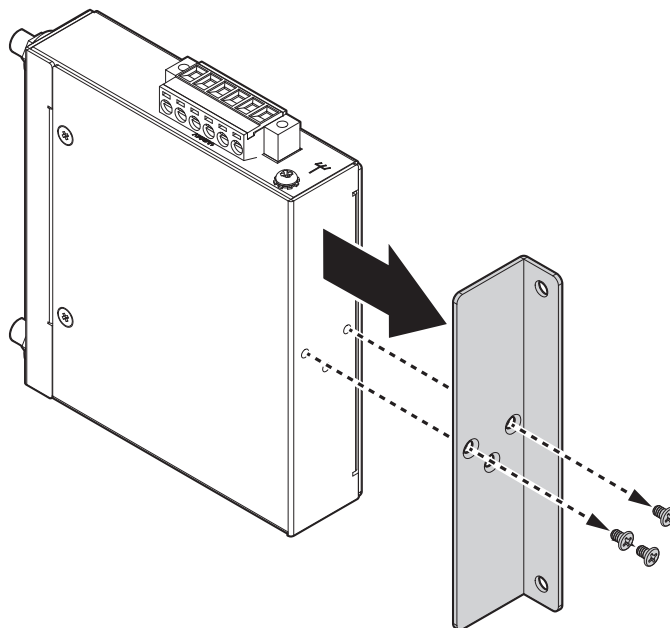
The wall mounting option provides better shock and vibration resistance than the DIN rail vertical mount.

**Note!** *When installing, make sure to allow for enough space to properly install the cabling.*



Before the device can be mounted on a wall, you will need to remove the DIN rail plate.

1. Rotate the device to view the rear side and locate the DIN mounting plate.
2. Remove the screws securing the DIN mounting plate to the rear side.
3. Remove the DIN mounting plate. Store the DIN mounting plate and provided screws for later use.
4. Align the wall mounting bracket with the designated location on the device as illustrated in the following figure. The screw holes on the device and the brackets align if seated correctly.
5. Secure the wall brackets to the device with M3 screws, see the following figure.

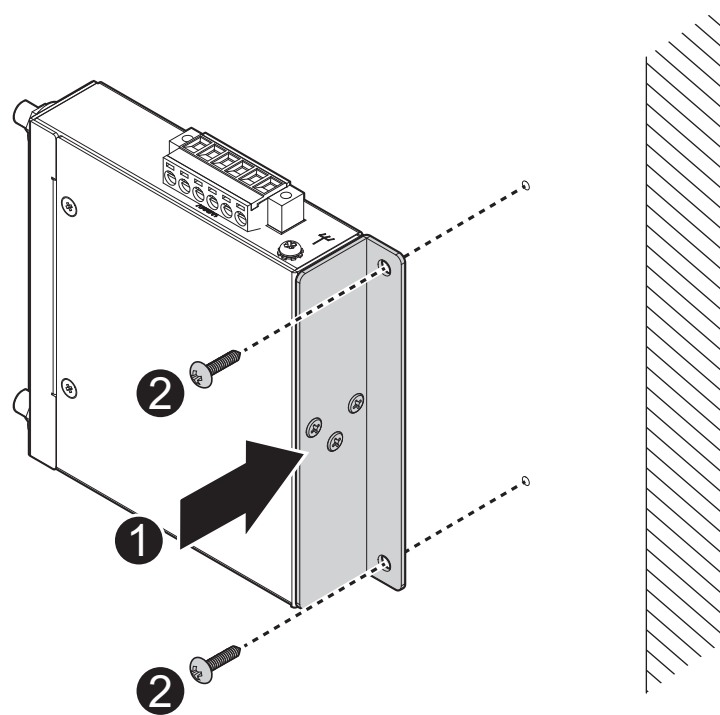


**Figure 2.8 Installing Wall Mount Plates**

Once the wall mounting brackets are secured on the device, mark the screw hole location on the wall area.

6. On the installation site, place the device firmly against the wall. Make sure the gateway is vertically and horizontally level.
7. Insert a pencil or pen through the screw holes on the mounting bracket to mark the location of the screw holes on the wall.
8. Remove the gateway from the wall and drill holes over each marked location (4) on the wall, keeping in mind that the holes must accommodate wall sinks in addition to the screws.
9. Insert the wall sinks into the walls.
10. Align the mounting bracket over the screw holes on the wall.

11. Insert the screws through the bracket and tighten to secure the device to the wall.

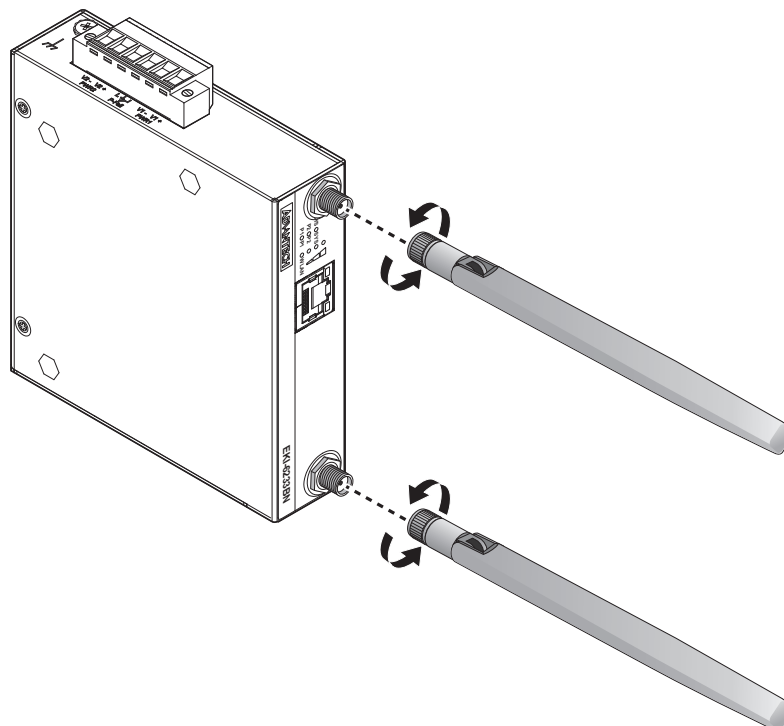


**Figure 2.9 Wall Mount Installation**

12. Once the device is installed on the wall connect the required cables.

### 2.2.3 Wireless Connection

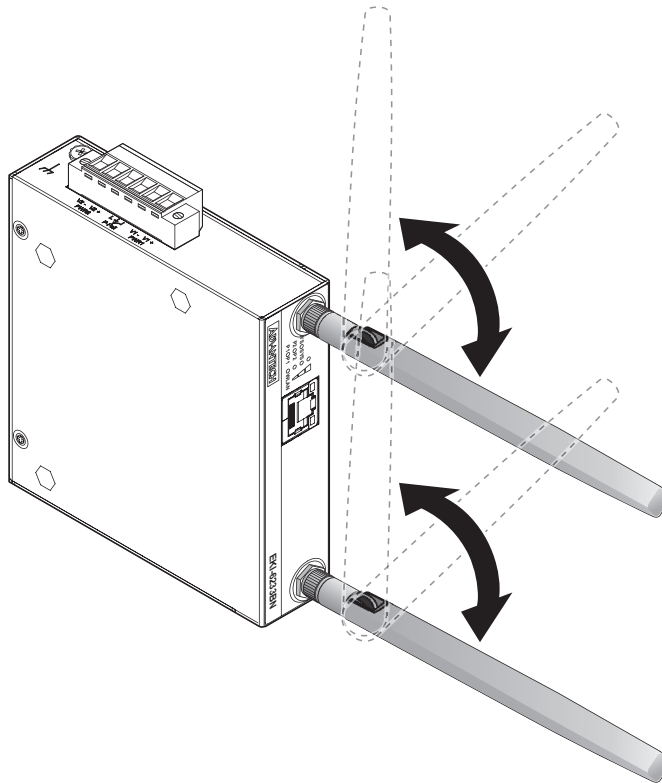
1. Connect the antenna by screwing the antenna connectors in a clockwise direction.



**Figure 2.10 Installing the Antenna**

2. Position the antenna for optimal signal strength.

**Note!** The location and position of the antenna is crucial for effective wireless connectivity

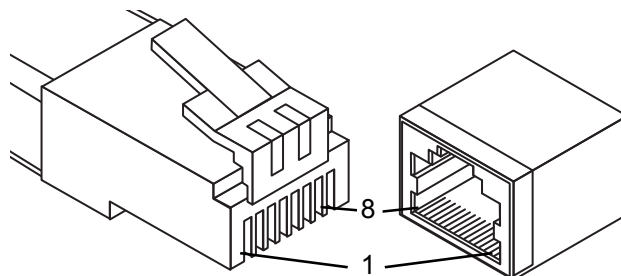


**Figure 2.11 Positioning the Antenna**

## 2.2.4 Network Connection

For RJ45 connectors, data-quality, twisted pair cabling (rated CAT5 or better) is recommended. The connector bodies on the RJ45 Ethernet ports are metallic and connected to the GND terminal. For best performance, use shielded cabling. Shielded cabling may be used to provide further protection.

Straight-thru Cable Wiring		Cross-over Cable Wiring	
Pin 1	Pin 1	Pin 1	Pin 3
Pin 2	Pin 2	Pin 2	Pin 6
Pin 3	Pin 3	Pin 3	Pin 1
Pin 6	Pin 6	Pin 6	Pin 2



**Figure 2.12 Ethernet Plug & Connector Pin Position**

Maximum cable length: 100 meters (328 ft.) for 10/100BaseT.



## 2.2.5 Power Connection

### 2.2.5.1 Overview

**Warning!** Power down and disconnect the power cord before servicing or wiring the gateway.



**Caution!** Do not disconnect modules or cabling unless the power is first gatewayed off.



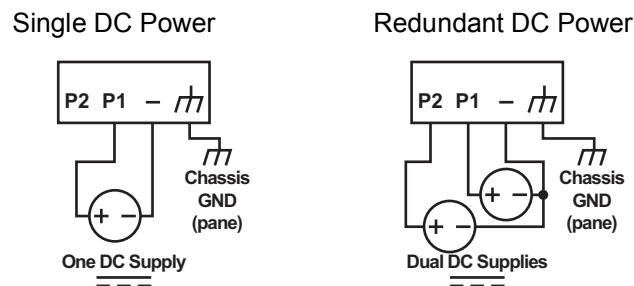
The device only supports the voltage outlined in the type plate. Do not use any other power components except those specifically designated for the device.

**Caution!** Disconnect the power cord before installation or cable wiring.



The gateways can be powered by using the same DC source used to power other devices. A DC voltage range of 12 to 48 V<sub>DC</sub> must be applied between the V1+ terminal and the V1- terminal (PW1), see the following illustrations. The chassis ground screw terminal should be tied to the panel or chassis ground. A redundant power configuration is supported through a secondary power supply unit to reduce network down time as a result of power loss.

EKI-6233BN support 12 to 48 V<sub>DC</sub>. Dual power inputs are supported and allow you to connect a backup power source.



**Figure 2.13 Power Wiring for EKI-6233BN**

### 2.2.5.2 Considerations

Take into consideration the following guidelines before wiring the device:

- The Terminal Block (CN1) is suitable for 12-48 AWG (3.31 - 0.205 mm<sup>2</sup>). Torque value 7 lb-in.
- The cross sectional area of the earthing conductors shall be at least 3.31 mm<sup>2</sup>.
- Calculate the maximum possible current for each power and common wire. Make sure the power draw is within limits of local electrical code regulations.
- For best practices, route wiring for power and devices on separate paths.
- Do not bundle together wiring with similar electrical characteristics.
- Make sure to separate input and output wiring.
- Label all wiring and cabling to the various devices for more effective management and servicing.

**Note!** *Routing communications and power wiring through the same conduit may cause signal interference. To avoid interference and signal degradation, route power and communications wires through separate conduits.*



### 2.2.5.3 Grounding the Device

**Caution!** *Do not disconnect modules or cabling unless the power is first switched off.*



*The device only supports the voltage outlined in the type plate. Do not use any other power components except those specifically designated for the device.*

**Caution!** *Before connecting the device properly ground the device. Lack of a proper grounding setup may result in a safety risk and could be hazardous.*



**Caution!** *Do not service equipment or cables during periods of lightning activity.*



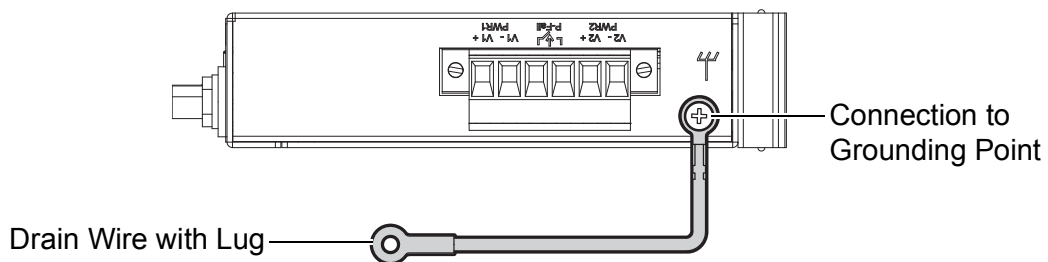
**Caution!** *Do not service any components unless qualified and authorized to do so.*



**Caution!** *Do not block air ventilation holes.*



Electromagnetic Interference (EMI) affects the transmission performance of a device. By properly grounding the device to earth ground through a drain wire, you can setup the best possible noise immunity and emissions.



**Figure 2.14 Grounding Connection**

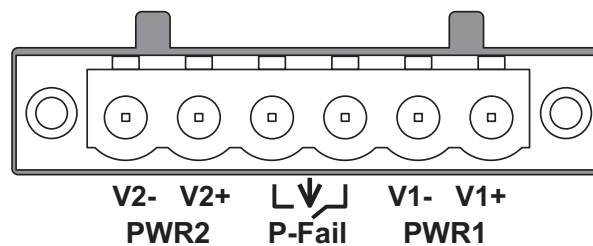
By connecting the ground terminal by drain wire to earth ground the gateway and chassis can be ground.

**Note!** *Before applying power to the grounded gateway, it is advisable to use a volt meter to ensure there is no voltage difference between the power supply's negative output terminal and the grounding point on the gateway.*



#### 2.2.5.4 Wiring a Relay Contact

The following section details the wiring of the relay output. The terminal block on the EKI-6233BN is wired and then installed onto the terminal receptor located on the EKI-6233BN.



**Figure 2.15 Terminal Receptor: Relay Contact**

The terminal receptor includes a total of six pins: two for PWR1, two for PWR2 and two for a fault circuit.

#### 2.2.5.5 Wiring the Power Inputs

**Caution!** *Do not disconnect modules or cabling unless the power is first switched off.*

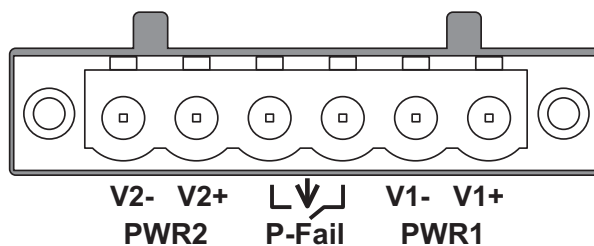


*The device only supports the voltage outlined in the type plate. Do not use any other power components except those specifically designated for the device.*

**Warning!** *Power down and disconnect the power cord before servicing or wiring the gateway.*



There are two power inputs for normal and redundant power configurations. The power input 2 is used for wiring a redundant power configuration. See the following for terminal block connector views.

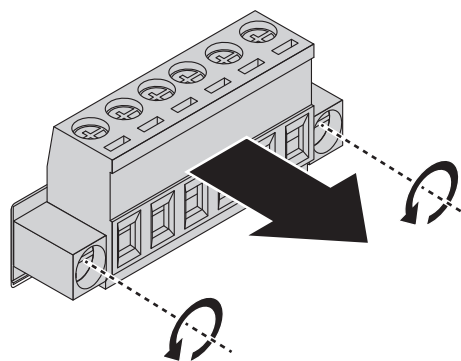


**Figure 2.16 Terminal Receptor: Power Input Contacts**

To wire the power inputs:

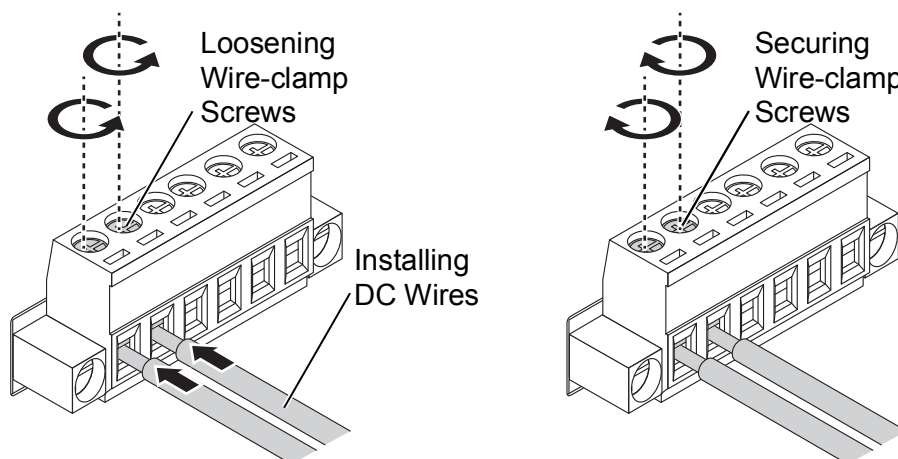
Make sure the power is not connected to the gateway or the power converter before proceeding.

1. Loosen the screws securing terminal block to the terminal block receptor.
2. Remove the terminal block from the gateway.



**Figure 2.17 Removing a Terminal Block**

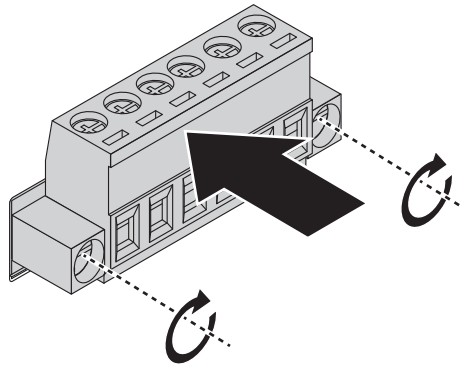
3. Insert a small flat-bladed screwdriver in the V1+/V1- wire-clamp screws, and loosen the screws.
4. Insert the negative/positive DC wires into the V+/V- terminals of PW1. If setting up power redundancy, connect PW2 in the same manner.
5. Tighten the wire-clamp screws to secure the DC wires in place.



**Figure 2.18 Installing DC Wires in a Terminal Block**

6. Align the terminal block over the terminal block receptor on the gateway.
7. Insert the terminal block and press it in until it is flush with the terminal block receptor.

8. Tighten the screws on the terminal block to secure it to the terminal block receptor.  
If there is no gap between the terminal block and the terminal receptor, the terminal block is seated correctly.



**Figure 2.19 Securing a Terminal Block to a Receptor**

## 2.3 Reset Button

Reset configuration to factory default:

Press and hold Reset button for 10 seconds.

System reboot:

Press and hold Reset button for 2 seconds.

**Note!** Do NOT power off the gateway when loading default settings.



# Chapter 3

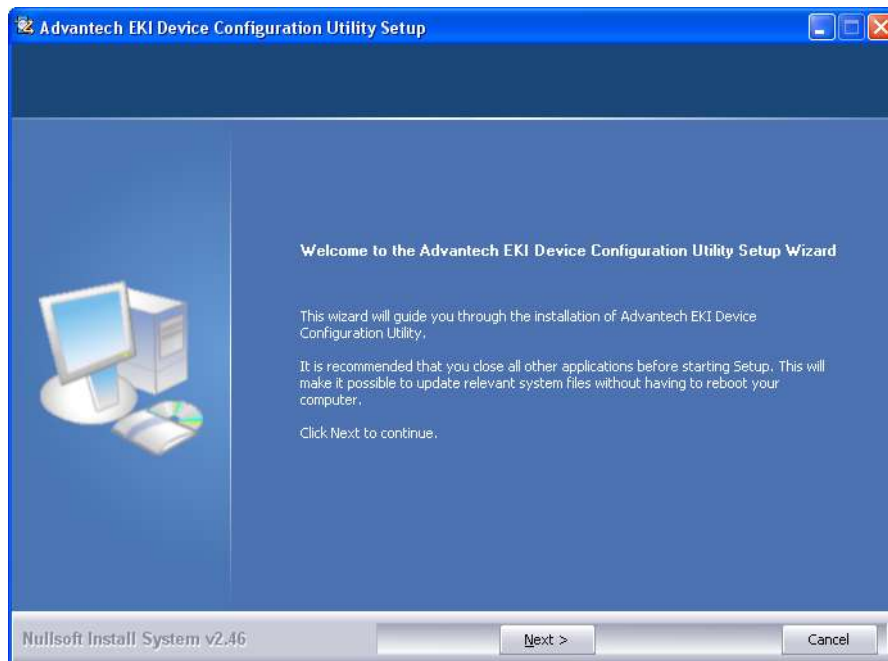
## Utility Configuration

## 3.1 Installing the Configuration Utility

**Note!** *Microsoft.NET Framework version 2.0 or greater is required for this application.*

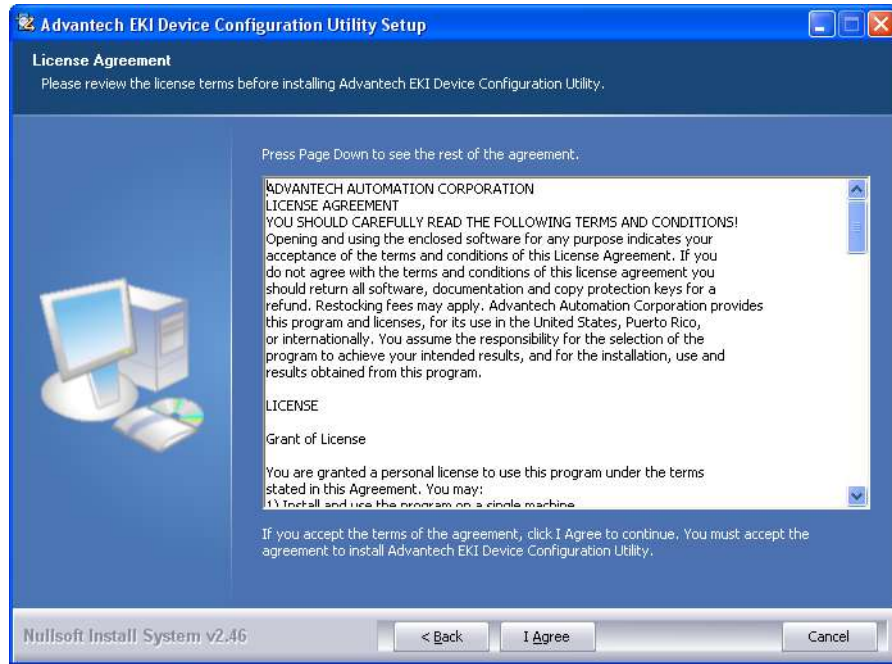


1. Insert the Advantech EKI Device Configuration Utility CD-ROM into the CD-ROM drive (whereas E:\ is the drive name of your CD-ROM) on the host PC.
2. Use Windows explorer or the Windows Run command to execute the setup program, the path for the setup program on the CD-ROM is as follows:  
E:\EKI\_Device\_Configuration\_Utility\_v3.04.exe
3. If there is an existing COM port mapping utility on the host PC, remove it at this time. A system reboot may be necessary before continuing the installation.
4. Once the InstallShield Wizard screen displays, click **Next** to proceed with the installation.



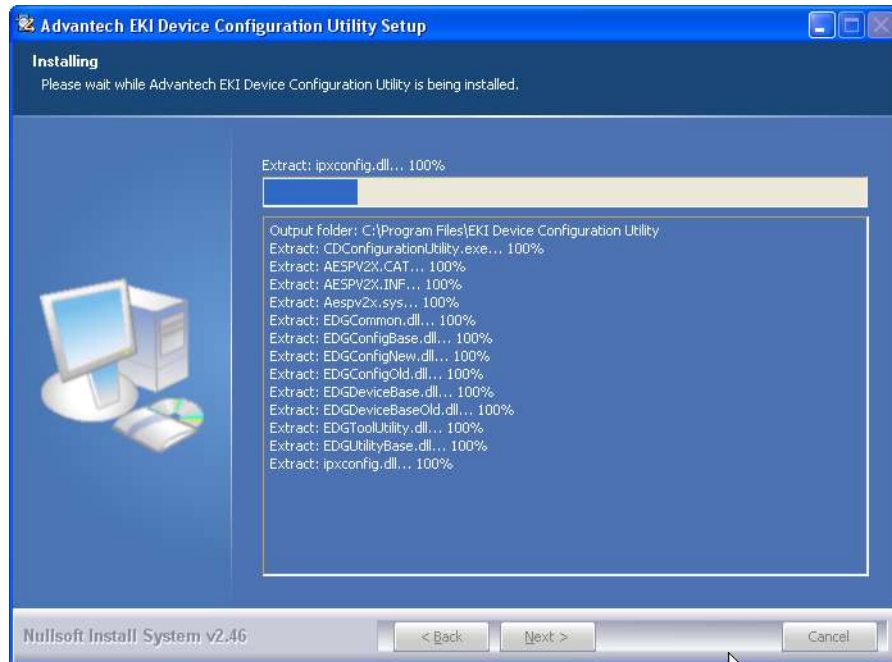
**Figure 3.1 InstallShield Wizard 1 of 4**

5. The Software License Agreement displays, press **I Agree** to continue or **Cancel** to stop the installation.



**Figure 3.2 InstallShield Wizard 2 of 4**

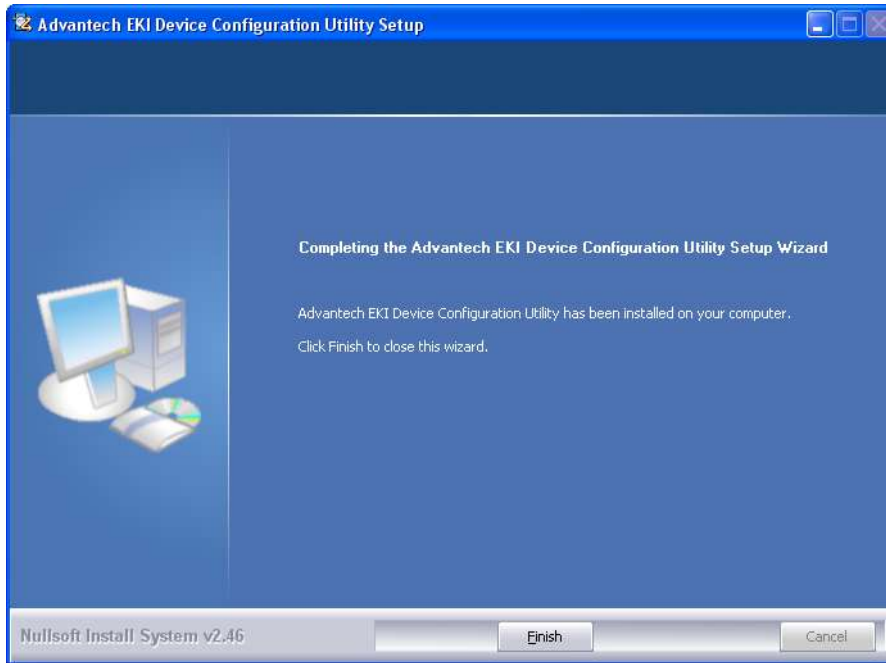
The InstallShield continues and a status screen displays. The default installation path is C:\Program Files\EKI Device Configuration Utility.



**Figure 3.3 InstallShield Wizard 3 of 4**



6. Once the installation of the package is finished a Configuration Utility Setup screen displays. Click **Finish** to conclude the process and exit the InstallShield Wizard.



**Figure 3.4 InstallShield Wizard 4 of 4**

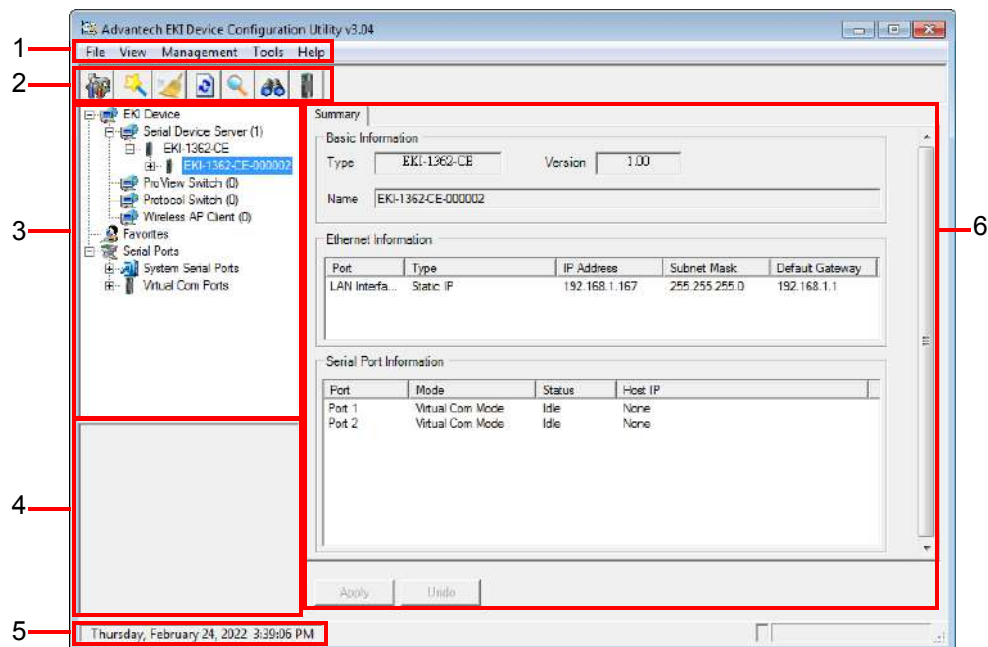
## 3.2 Starting the Configuration Utility

Advantech EKI-6233BN devices provide an easy-to-use utility to configure your device through an Ethernet connection. For secure administration, it can also restrict the access rights for configuration to only one host PC. With this secure function enabled, other PCs will not have permission for configuration. After the installation program on the Advantech IEDG Series Driver Utility CD-ROM is finished, the devices are ready for use and configuration.

Advantech EKI Device Configuration Utility is an excellent device management tool. You can connect and configure the local and remote Advantech devices easily. The utility provides access to the following functions:

- Configure the network settings (you can set the IP address, Gateway address, and Subnet mask)
- Perform administrative functions (export and import the device setting, manage access IP, a descriptive name, upgrade firmware)

You can open the Configuration Utility from the Windows Start Menu by clicking **Start > All Programs > EKI Device Configuration Utility > EKI Device Configuration Utility**. The Configuration Utility displays as shown in the following figure.



**Figure 3.5 Configuration Utility Overview**

No	Item	Description
1	Menu Bar	Displays File, View, Management, Tools and Help.
2	Quick Tool Bar	Useful management functions shortcuts.
3	Device List Area	Available devices are listed in this area. Devices can be organized or grouped in this area.
4	Information Panel	Click on the devices or move cursor to the devices, the related information is shown in this area.
5	Status Bar	Displays the current time.
6	Configuration Area	Click on the item on the Device List Area, the configuration page displays.

## 3.3 Discovering Your Device

### 3.3.1 Auto Searching

Advantech EKI Device Configuration Utility will automatically search all the EKI-6233BN devices on the network and show them on the Device List Area of the utility. The utility provides an auto-search function to show your device(s) by simply executing the configuration utility program from the Start Menu.

From here all devices on the same network domain will be searched and displayed on Device List Area. You can click on the device name to show the features of the specific device.

Click on the “+” before the model name, and the utility will expand the tree structure to show the individual device name. Click on the “-” before the model name, and the utility will collapse the tree structure.

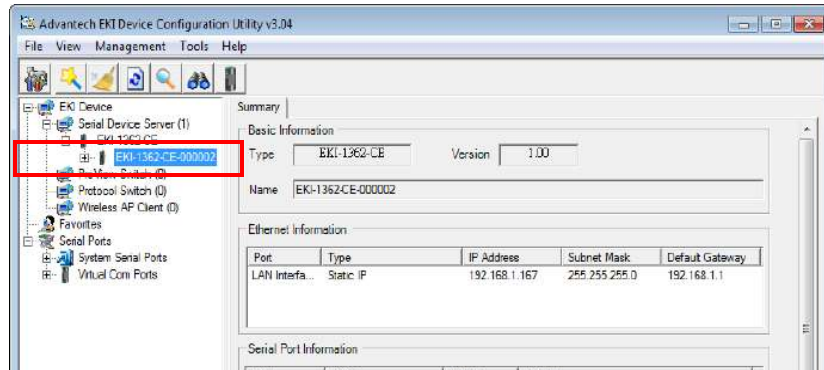


**Figure 3.6 Open View of Serial Device Configuration Utility**

**Note!** *When you run the configuration utility for the first time, the default device name is obtained from the serial device's MAC identification number. The name can be altered through the configuration utility.*

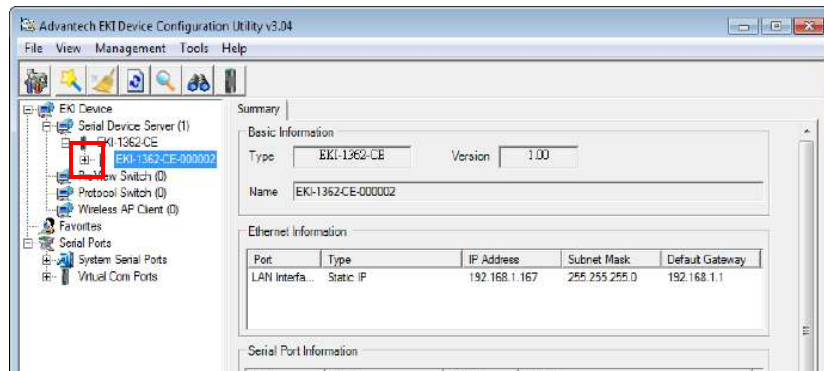
Select the device in this sub-tree. The first tab on the Configuration Area shows the summary of “Basic Information” included device type, version, and name, “Ethernet

Information”, and “Serial Port Information”. The serial port information frame displays the operation mode, status, and connected host IP.



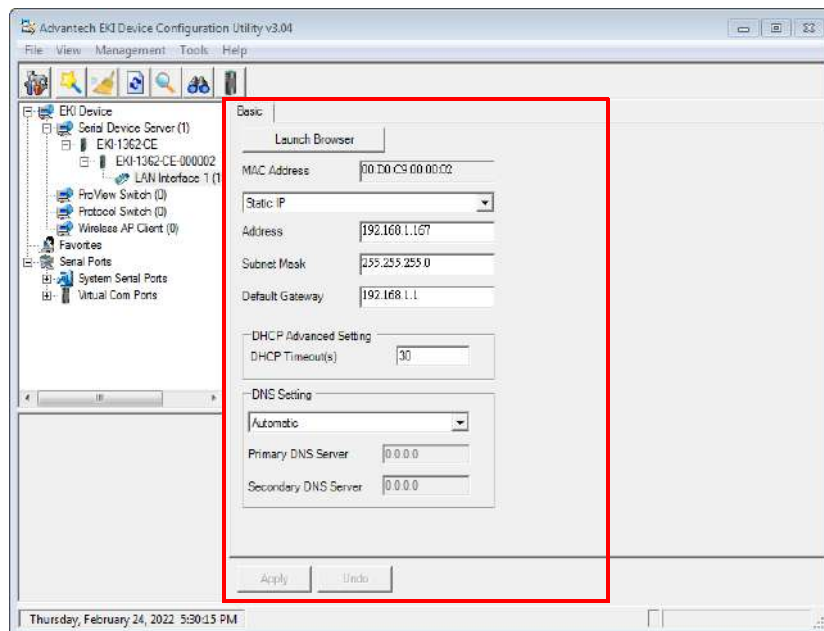
**Figure 3.7 Selecting a Group**

Click on the “+” before the device name, and the utility will expand the interfaces on this device.



**Figure 3.8 Selecting a Device**

Click to enter the configuration page to change the setting. The configuration will be introduced on following sections.



**Figure 3.9 Viewing Basic Settings**

## 3.4 Network Settings

Prior to setting up the server's IP address determine the IP address mode.

There are four mode types available:

- Static IP: mode to assign a specific assigned address
- DHCP / AutoIP: mode to automatically assign IP addresses through a DHCP server
- BOOTP / AutoIP: mode to automatically assign an IP address through the configuration server
- DHCP/BOOTP/AutoIP: mode to automatically assign an IP address using a Bootstrap Protocol or DHCP server.

The server is set with the following default IP configuration:

- 10.0.0.1

The EKI-6233BN includes a software utility option, which you can install on your system, for configuration through computer-based software. The EKI-6233BN also includes a web interface option for configuration through a standard web browser.

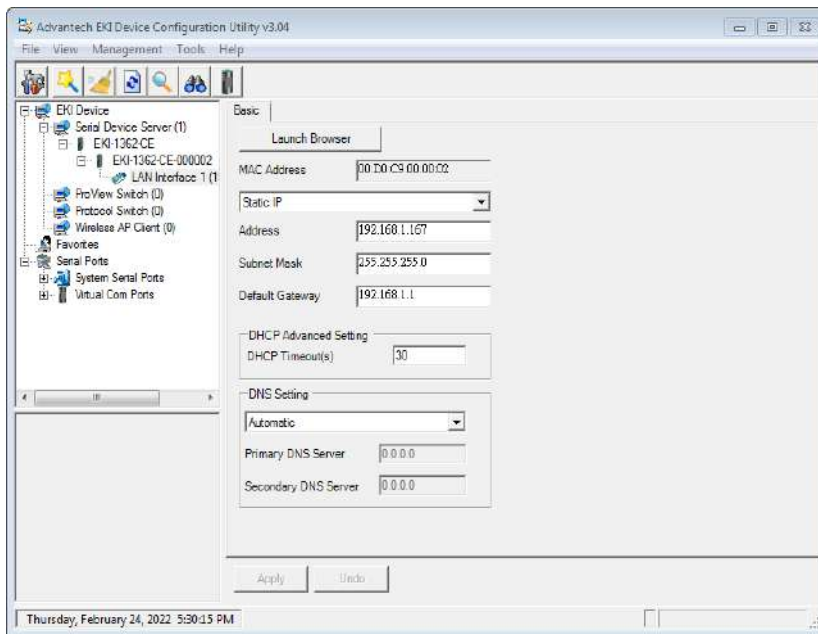



Figure 3.10 Utility Overview

You can choose from four possible IP Configuration modes --- Static, DHCP, BOOTP, and DHCP/BOOTP.

**Figure 3.11 Network Settings Overview**

Item	Description
Static IP	Static IP User defined IP address, Subnet Mask, and Default Gateway.
DHCP + Auto-IP	DHCP Server assigned IP address, Subnet Mask, Default Gateway, and DNS.
BOOTP + Auto-IP	BOOTP Server assigned IP address.
DHCP + BOOTP + Auto-IP	DHCP Server assigned IP address, Subnet Mask, Default Gateway, and DNS, or BOOTP Server assigned IP address. (If the DHCP Server does not respond)
DHCP Advanced Setting	When you enabling DHCP protocol to get IP address, it will be waited DHCP server to give IP within DHCP time out. The default value is 180 seconds.
DNS Setting	In order to use DNS feature, you need to set the IP address of the DNS server to be able to access the host with the domain name. The EKI-6233BN device provides Primary DNS Server and Secondary DNS Server configuration items to set the IP address of the DNS server. Secondary DNS Server is included for use when Primary DNS server is unavailable.

**Note!**  When you have finished the configuration of these settings for each category, please press the “Apply” button in order to make these settings effective on the device.

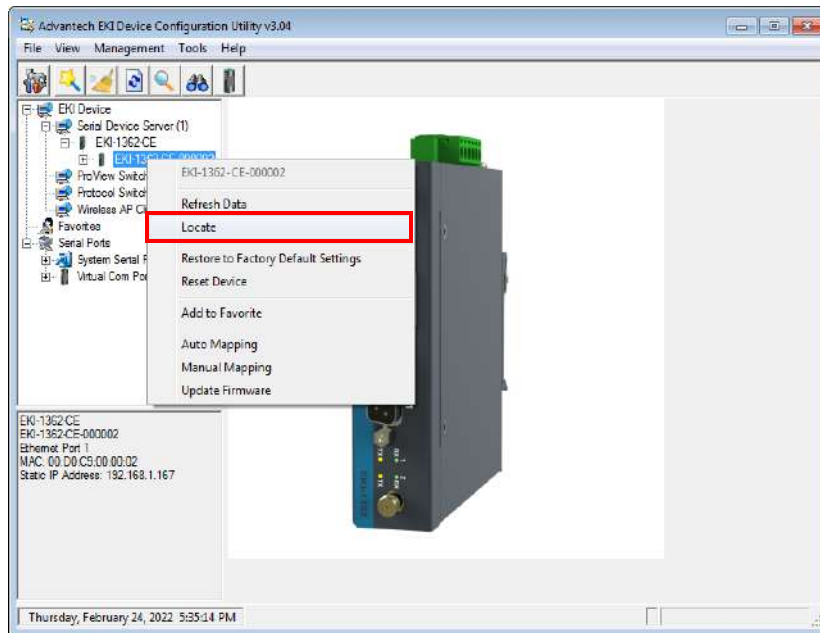
## 3.5 Administrator Settings

### 3.5.1 Locate the Device

When devices are connected to the network, identification of a specific serial device is possible through the Locate function.

To locate the device:

1. From the device list frame, locate the desired device and right-click on it to display the settings menu.
2. Select **Locate** from the menu.

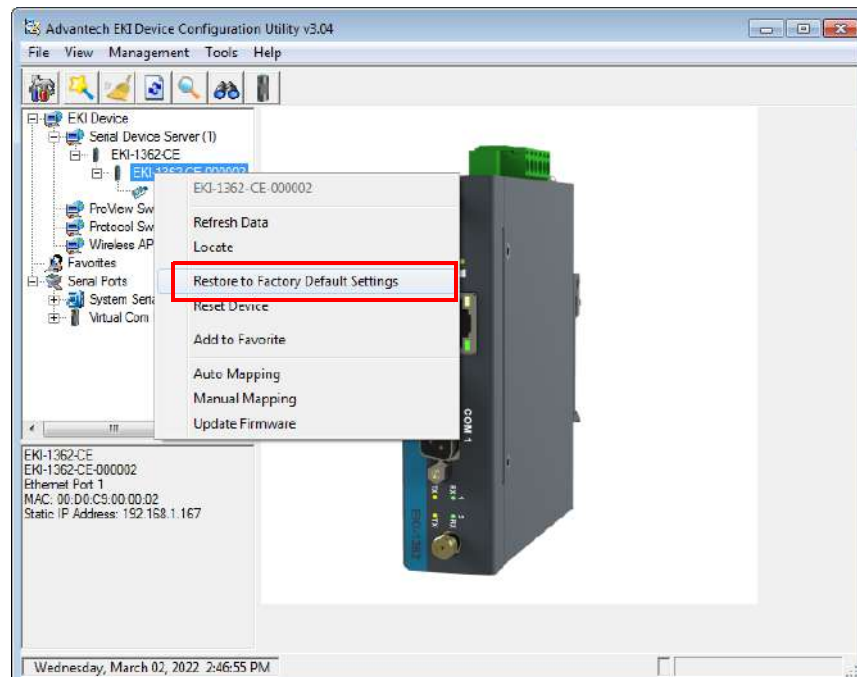


**Figure 3.12 Locate the Device**

The unit's Status LED will turn solid amber and the buzzer will sound until you click **Stop Locate**.

### 3.5.2 Restore to Factory Default Settings

The configuration utility provides the function to restore the device to factory default settings.



**Figure 3.13 Restore to Factory Default Settings**

The confirm message will display after clicking **Restore to Factory Default Settings**. If you really want to restore the serial device server to factory default settings, please click **Yes** button to continue.

Power off the device within ten seconds. After reconnecting the power, all settings will be reset to the factory default. If the power supply remains connected for more than ten seconds, the device will not be changed.



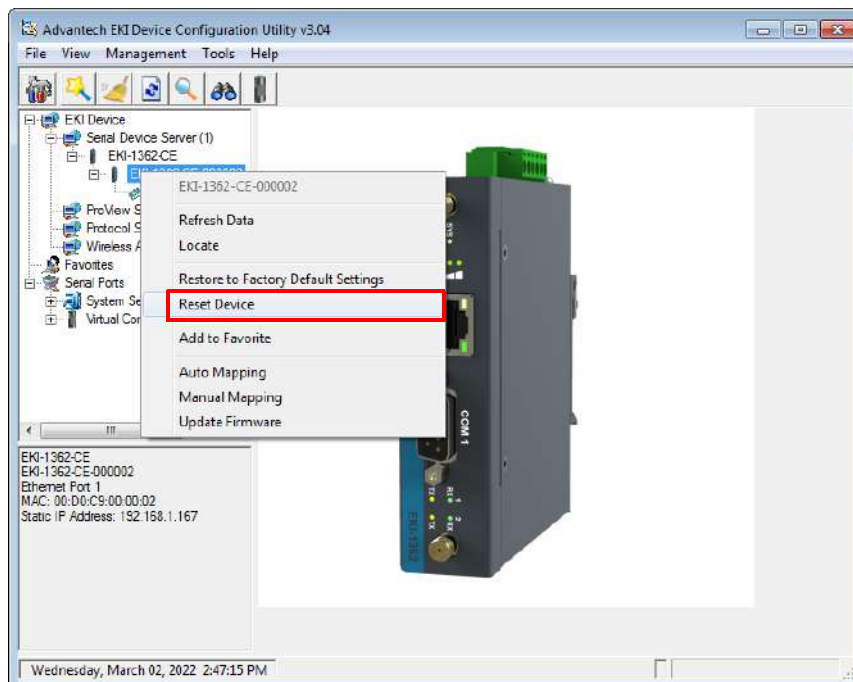
### 3.5.3 Resetting the Device

The **Reset Device** is available to allow you to reset the device. The function disconnects both the ethernet and serial connections.

The function also allows the device to save new configuration settings to flash memory. Once a new setting is changed, you can use the Save function to accept the changes. You will need to reset the device to save the settings to flash memory.

To reset the device:

1. Right-click a desired device to display the settings menu.
2. Select **Reset Device**.



**Figure 3.14 Reset Device**

The device resets. Once the process is complete, the device displays under the Device List Area listing once again.

### 3.5.4 Add to Favorite

The Add to Favorite function allows to easily map available devices to Favorite's. By bookmarking specific devices, you can create quickly accessible shortcuts for existing critical devices from the vast pool of locally or remotely networked EKI-6233BN devices.

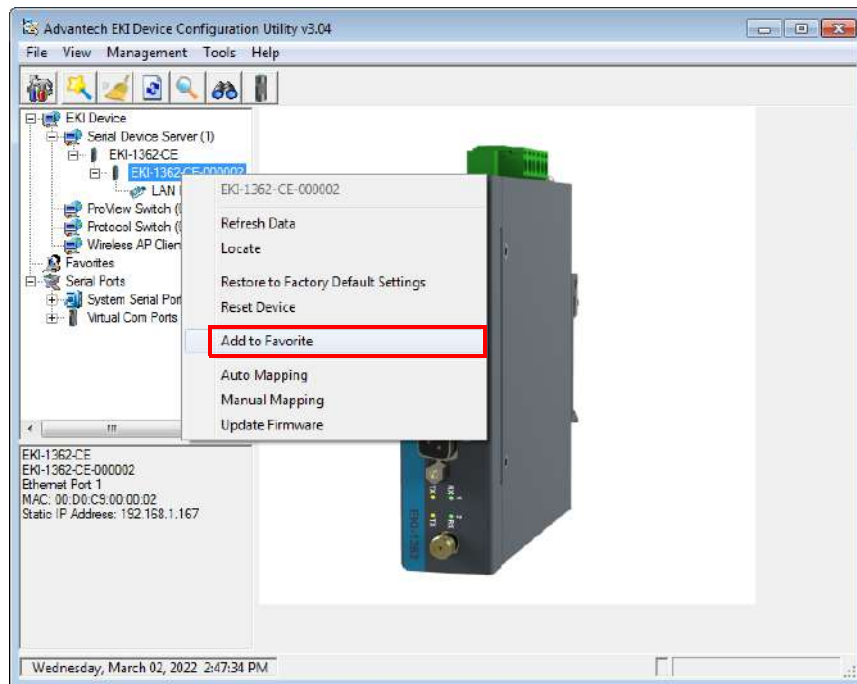


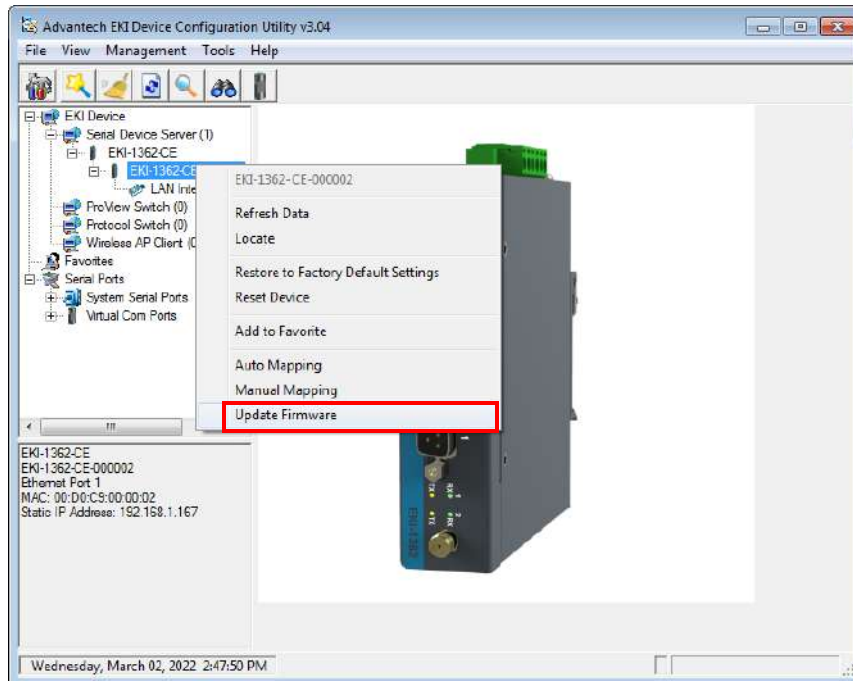
Figure 3.15 Add to Favorite

### 3.5.5 Update Firmware

Advantech continually upgrades its firmware to keep up with the ever-expanding world of computing. You can use the update firmware function in the utility to carry out the upgrade procedure. Please access Advantech's website: <http://www.advantech.com> to download the latest version of the firmware. Before updating the firmware, make sure that your host's Network domain is as same as the device or the host can establish the TCP connection to the device.

To update firmware:

1. Right-click a desired device to display the settings menu.
2. Select **Update Firmware**.



**Figure 3.16 Update Firmware**

3. Select the firmware file you want to update.

Wait for a few seconds for the firmware to finish updating. After the update has completed, click on the **OK** button. The device will restart automatically.

**Note!** *Be sure that the host PC Ethernet network domain is as same as the EKI-6233BN device or the host PC can establish the TCP connection with the device while doing the updating firmware process.*



# Chapter 4

Web Interface

## 4.1 Overview

EKI-6233BN device can be configured through a web interface. By using a standard web browser, the same procedure as with the Windows configuration utility can be used. In the browser's address field, enter the IP Address of your EKI-6233BN device. The default IP setting is 10.0.0.1, but you should use the IP which you have previously assigned for this device. Once the IP is entered, you will be presented with the following windows.

**Note!** *Before using the web-based configuration, make sure your host PC Ethernet network IP domain is as same as the device, or it can establish the TCP connection with the device.*



**Note!** *It is recommended that you use Microsoft Internet Explorer 7.0 or higher.*



## 4.2 Accessing the Web Page

### 4.2.1 Accessing the Web Page via Configuration Utility

To access the web page via configuration utility:

1. Select Ethernet under the desired device.
2. Click **Launch Browser**.

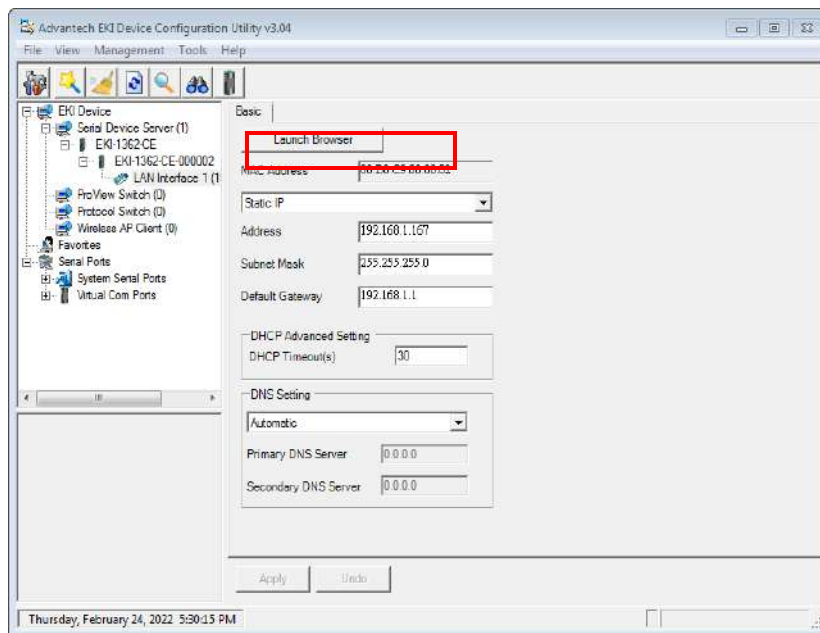


Figure 4.1 Accessing the Web Page via Configuration Utility

## 4.2.2 Accessing the Web Page via Web Browser

Once the device is installed and connected, power on the device. The following information guides you through the logging in process.

1. Launch your web browser on the PC.
2. In the browser's address bar, type the device's default IP address (LAN Interface 1: 10.0.0.1).

The main menu is shown.

3. Enter the default user name and password (admin/admin).
4. Click **Enter** to continue and access the interface.

## 4.3 Overview

To access this page, click **System**.



System Info	
Information Name	Information Value
Firmware Version	1.00
Local Hostname	
System Time	Fri Jan 20 18:05:45 GMT 2017
System Up Time	5 day 1 hr 11 min 19 sec
System Platform	EKI-6233BN-A

Memory	
Information Name	Information Value
Total Available	63636 kB
Free	75564 kB
Buffered	5860 kB

Local Network	
Information Name	Information Value
Local IP Address	10.0.0.1
Local Netmask	255.0.0.0
MAC Address	00:D0:C9:00:00:02

WAN Network	
Information Name	Information Value
WAN IP Address	
WAN Netmask	
WAN Default Gateway	
DNS1	
DNS2	

DHCP Leases			
Hostname	IPv4-Address	MAC-Address	Leasetime remaining
There are no active leases.			

**Figure 4.2 System Info**

The following table describes the items in the previous figure.

Item	Description
<b>System Info</b>	
Firmware Version	Display the current firmware version of the device.
Local Hostname	Display the current local hostname of the device.
System Time	Displays the current date of the device.

Item	Description
System Up Time	Displays the time since the last device reboot.
System Platform	Displays the model name of the device.
<b>Memory</b>	
Total Available	Displays the total amount of physical memory installed RAM in kiloBytes (kB) on the device.
Free	Displays the currently unused RAM in kiloBytes (kB) on the device.
Buffered	Displays the RAM in kiloBytes (kB) set aside as a temporary holding place for data.
<b>Local Network</b>	
Local IP Address	Displays the assigned IP address of the device.
Local Netmask	Displays the assigned netmask of the device.
MAC Address	Displays the MAC address of the device.
<b>WAN Network</b>	
WAN IP Address	Displays the assigned IP address of the WAN entry.
WAN Netmask	Displays the assigned netmask of the WAN entry.
WAN Default Gateway	Displays the assigned default gateway of the WAN entry.
DNS1	Displays the assigned DNS1 of the WAN entry.
DNS2	Displays the assigned DNS2 of the WAN entry.
<b>DHCP Leases</b>	
DHCP Leases	Displays the leased IP assignments by the DHCP server.

## 4.4 Network Settings

### 4.4.1 Wireless WAN

To access this page, click **Network Settings > Wireless WAN**.

The Interface screen allows user to setup the WAN interface and its network function mode.

When Network Mode is disabled (default), the **WAN Interface Settings** appear as follows.



**Figure 4.3 Network Settings > Wireless WAN > Network Mode**

The following table describes the items in the previous figure.

Item	Description
Network Mode	Click the drop-down menu to select the mode type: Disable (default), Static, DHCP.
MAC Address	Displays the current device's MAC address.
Apply	Click <b>Apply</b> to save the values and update the screen.

When Network Mode is **Static**, the configuration settings display as follows.

The screenshot shows a window titled "Wan Interface Setup". The "Network Mode" is set to "Static" in a dropdown menu. Below it are five empty text input fields for "IP Address", "Subnet Mask", "Default Gateway", "Primary DNS Server", and "Secondary DNS Server". The "MAC Address" is displayed as "00:D0:C9:00:00:02". At the bottom is a blue "Apply" button.

**Figure 4.4 Network Settings > Wireless WAN > Network Mode > Static**

The following table describes the items in the previous figure.

Item	Description
Network Mode	Click the drop-down menu to select the mode type: Disable (default), Static, DHCP.
IP Address	Enter the WAN IP address given by your service provider.
Subnet Mask	Enter the WAN subnet mask given by your service provider.
Default Gateway	Enter the WAN gateway IP address given by your service provider.
Primary DNS Server	Enter the primary WAN DNS IP address given by your service provider.
Secondary DNS Server	Enter the secondary WAN DNS IP address given by your service provider.
MAC Address	Displays the current device's MAC address.
Apply	Click <b>Apply</b> to save the values and update the screen.

When Network Mode is **DHCP**, the settings appear as follows.

The screenshot shows a window titled "Wan Interface Setup". The "Network Mode" is set to "DHCP Client" in a dropdown menu. Below it is a "MAC Address" field displaying "00:D0:C9:00:00:02". At the bottom is a blue "Apply" button.

**Figure 4.5 Network Settings > Wireless WAN > Network Mode > DHCP**

The following table describes the items in the previous figure.

Item	Description
Network Mode	Click the drop-down menu to select the mode type: Disable (default), Static, DHCP.
MAC Address	Displays the current device's MAC address.
Apply	Click <b>Apply</b> to save the values and update the screen.



### 4.4.1.1 Topology

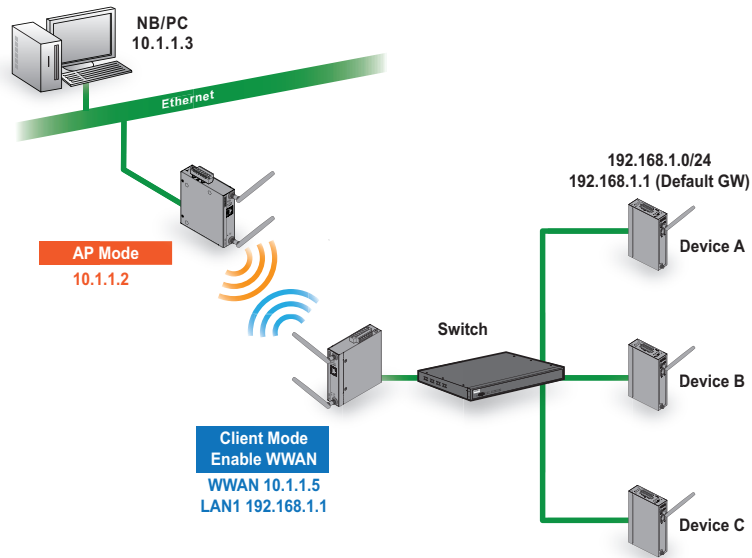


Figure 4.6 Wireless WAN Topology

## 4.4.2 LAN

### 4.4.2.1 Static IP Network Mode

To access this page, click **Network Settings > LAN**.

The screenshot shows the 'LAN Interface Setup' configuration window. It includes the following fields and options:

- Local Hostname: [Empty]
- Domain Name: lan
- Network Mode: Static IP
- IP Address: 192.168.1.167
- Subnet Mask: 255.255.255.0
- Default Gateway: 192.168.1.1
- DNS:  Automatic  Specific
- Speed & Duplex: Auto-Negotiation
- MAC Address: 00:D0:C9:00:00:01

The DHCP Server section is expanded and shows:

- DHCP Server:  Enabled  Disabled
- Start IP Address: 192.168.1.100
- Pool Counter: 150
- Leasetime:
 

Day	Hour	Minute	Second
0	12	0	0
(0 - 365)	(0 - 23)	(0 - 59)	(0 - 59)

An 'Apply' button is located at the bottom of the configuration area.

Figure 4.7 Network Settings > LAN

The following table describes the items in the previous figure.

Item	Description
Local Hostname	Enter the device name: up to 31 alphanumeric characters.
Domain Name	Enter a string to specify the domain name for the interface.
Network mode	Click the drop-down menu to select the IP Address Setting mode: Static or DHCP.
IP Address	Enter a value to specify the IP address of the interface. The default is 10.0.0.1.
Subnet Mask	Enter a value to specify the IP subnet mask for the interface. The default is 255.255.255.0.
Default Gateway	Enter a value to specify the default gateway for the interface. The default is 192.168.1.254.
DNS	Click the radio button to select the DNS mode: Automatic or Specific.
DNS 1	Enter a value to specify the default DNS 1 for the interface. The default is 192.168.1.1.
DNS 2	Enter a value to specify the default DNS 2 for the interface.
Speed & Duplex	Click the drop-down menu to select the transmission parameters: Auto-Negotiation, 100M & Full Duplex, 100M & Half Duplex, 10M & Full Duplex, 10M & Half Duplex.
DHCP Server	
DHCP Server	Click to enable or disable the DHCP server function.
Start IP Address	Enter an IP address to specify the starting address for the DHCP pool.
Pool Counter	Enter a string to specify the number of authorized DHCP client.
MAC Address	Display the MAC address to which packets are statically forwarded.
Leasetime	Enter values to specify the time a device is authorized access to the IP address: Day, Hour, Minute, Seconds.
Apply	Click <b>Apply</b> to save the values and update the screen.

**Note!** *All new configurations will take effect after rebooting. To reboot the device, click **Administration > Tools > Reboot**.*



#### 4.4.2.2 DHCP/AutoIP Network Mode

To access this page, click **Network Settings > LAN**.

LAN Interface Setup

Local Hostname

Domain Name

Network Mode

DHCP Timeout

DNS  Automatic  Specific

Speed & Duplex

MAC Address 00:D0:C9:00:00:01

DHCP Server

DHCP Server  Enabled  Disabled

Start IP Address

Pool Counter

Leasetime

Day	Hour	Minute	Second
<input type="text" value="0"/>	<input type="text" value="12"/>	<input type="text" value="0"/>	<input type="text" value="0"/>
(0 - 365)	(0 - 23)	(0 - 59)	(0 - 59)

**Figure 4.8 Network Settings > LAN > DHCP/AutoIP**

The following table describes the items in the previous figure.

Item	Description
Local Hostname	Enter the device name: up to 31 alphanumeric characters.
Domain Name	Enter a string to specify the domain name for the interface.
Network mode	Click the drop-down menu to select the IP Address Setting mode: Static or DHCP.
DHCP Timeout	Enter a value in seconds (default: 30) to specify a timeout period to obtain a response from the DHCP server, the device will give up the request and take next action.
Subnet Mask	Enter a value to specify the IP subnet mask for the interface. The default is 255.255.255.0.
Default Gateway	Enter a value (default: 192.168.1.254) to specify the default gateway for the interface.
DNS	Click the radio button to select a DNS mode: Automatic or Specific.
DNS 1	Enter a value to specify the default DNS 1 for the interface. The default is 192.168.1.1.
DNS 2	Enter a value to specify the default DNS 2 for the interface.
Speed & Duplex	Click the drop-down menu to select the transmission parameters: Auto-Negotiation, 100M & Full Duplex, 100M & Half Duplex, 10M & Full Duplex, 10M & Half Duplex.
MAC Address	Display the MAC address to which packets are statically forwarded.
DHCP Server	Function is not available.
Apply	Click <b>Apply</b> to save the values and update the screen.

### 4.4.2.3 DHCP/BOOTP/ZeroIP Network Mode

To access this page, click **Network Settings > LAN**.

**Figure 4.9 Network Settings > LAN > DHCP/BOOTP/ZeroIP**

The following table describes the items in the previous figure.

Item	Description
Local Hostname	Enter the device name: up to 31 alphanumeric characters.
Domain Name	Enter a string to specify the domain name for the interface.
Network mode	Click the drop-down menu to select the IP Address Setting mode: Static or DHCP.
DHCP Timeout	Enter a string to specify the DHCP server response time in seconds (30: default).
DNS	Click the radio button to select the DNS mode: Automatic or Specific.
Speed & Duplex	Click the drop-down menu to select the transmission parameters: Auto-Negotiation, 100M & Full Duplex, 100M & Half Duplex, 10M & Full Duplex, 10M & Half Duplex.
MAC Address	Display the MAC address to which packets are statically forwarded.
DHCP Server	Function is not available.
Apply	Click <b>Apply</b> to save the values and update the screen.

**Note!** All new configurations will take effect after rebooting. To reboot the device, click **Administration > Tools > Reboot**.



#### 4.4.2.4 BOOTP/AutoIP Network Mode

To access this page, click **Network Settings > LAN**.

**Figure 4.10 Network Settings > LAN > BOOTP/AutoIP**

The following table describes the items in the previous figure.

Item	Description
Local Hostname	Enter the device name: up to 31 alphanumeric characters.
Domain Name	Enter a string to specify the domain name for the interface.
Network mode	Click the drop-down menu to select the IP Address Setting mode: Static or DHCP.
DHCP Timeout	Enter a string to specify the DHCP server response time in seconds (30: default).
DNS	Click the radio button to select the DNS mode: Automatic or Specific.
DNS 1	Enter a value to specify the default DNS 1 for the interface. The default is 192.168.1.1.
DNS 2	Enter a value to specify the default DNS 2 for the interface.
Speed & Duplex	Click the drop-down menu to select the transmission parameters: Auto-Negotiation, 100M & Full Duplex, 100M & Half Duplex, 10M & Full Duplex, 10M & Half Duplex.
MAC Address	Display the MAC address to which packets are statically forwarded.
DHCP Server	Function is not available.
Apply	Click <b>Apply</b> to save the values and update the screen.

**Note!** *All new configurations will take effect after rebooting. To reboot the device, click **Administration > Tools > Reboot**.*

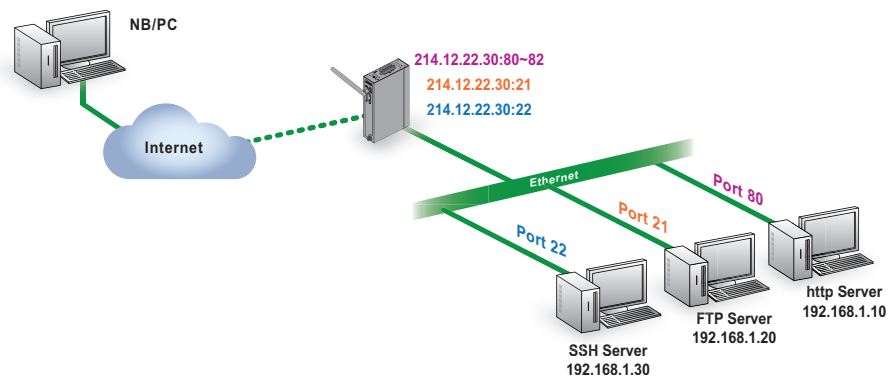


## 4.4.3 Forwarding

### 4.4.3.1 Port Forwarding

Port forwarding, also known as port mapping, is only available when Wireless WAN mode is enabled. It allows for the application of network addresses (NAT) the redirection of a communication request from an address and port to a specified address while the packets traverse the firewall.

The function are designed for networks hosting a specific server, such as a web server or mail server, on the private local network and behind the NAT firewall.



**Figure 4.11 Port Forwarding**

To access this page, click **Networking Settings > Forwarding > Port Forwarding**.

Enabled	Name	Start Port	End Port	Local IP	Local Port	Protocol	Delete
<input checked="" type="checkbox"/>	http_server	80	82	192.168.1.10	80	TCP	Delete
<input checked="" type="checkbox"/>	ftp_server	21	21	192.168.1.20	21	Both	Delete
<input checked="" type="checkbox"/>	ssh	22	22	192.168.1.30	22	Both	Delete
<input type="checkbox"/>						TCP	Delete

Add Apply

**Figure 4.12 Networking Settings > Forwarding > Port Forwarding**

The following table describes the items in the previous figure.

Item	Description
Enabled	Click <b>Enabled</b> to enable the defined forward policy.
Name	Enter a text string to identify the port forwarding entry.
Start Port	Enter the value of the starting port for this entry.
End Port	Enter the value of the ending port for this entry.
Local IP	Enter the IP address defining the static address of the local IP.
Local Port	Enter the value defining the local port.
Protocol	Click the drop-down menu to select the protocol setting, options: TCP, UDP, Both.
Delete	Click <b>Delete</b> to remove the selected entry from the port forwarding policy.
Add	Click <b>Add</b> to include the entry in the port forwarding policy.
Apply	Click <b>Apply</b> to save the values and update list.

### 4.4.3.2 DMZ

A Demilitarized Zone is used to provide Internet services without sacrificing unauthorized access to its local private network. Typically, the DMZ host contains devices accessible to the Internet traffic, such as Web (HTTP) servers, FTP servers, SMTP (e-mail) servers and DNS servers.

To access this page, click **Networking > Forwarding > DMZ**.



**Figure 4.13 Networking > Forwarding > DMZ**

The following table describes the items in the previous figure.

Item	Description
DMZ	Click the radio button to enable or disable the DMZ function.
IP	Enter the IP address to designate a static IP address as the DMZ target.
Apply	Click <b>Apply</b> to save the values and update the screen.

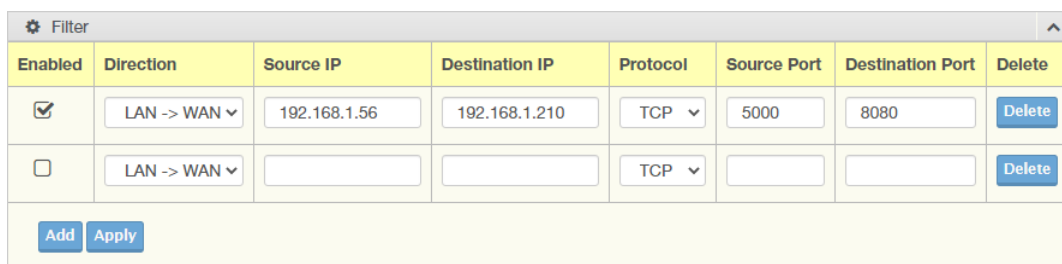
## 4.4.4 Security

### 4.4.4.1 Filter

The firewall is a system or group of systems that enforce an access control policy between two networks. It may also be defined as a mechanism used to protect a trusted network from an un-trusted network. The device has capabilities of Source IP Filtering, Destination IP Filtering, Source Port Filtering, Destination Port Filtering, Port Forwarding as well as DMZ.

Source IP Filtering: The source IP filtering gives users the ability to restrict certain types of data packets from users local network to Internet through the device. Use of such filters can be helpful in securing or restricting users local network.

To access this page, click **Networking Settings > Security > Filter**.



**Figure 4.14 Networking Settings > Security > Filter**

Item	Description
Filter	
Enabled	Click the radio button to enable or disable the Filter policy.
Direction	Click the drop-down menu to select the direction of the data packet traffic for the entry: LAN to WAN, WAN to LAN.
Source IP	Enter the IP address of the sender address.

Item	Description
Destination IP	Enter the IP address of the destination address.
Protocol	Click the drop-down menu to select the protocol type for the entry: TCP, UDP, ICMP.
Source port	Enter the port number of the sender IP address.
Destination port	Enter the port number of the destination IP address.
Delete	Click <b>Delete</b> to remove the entry from the Filter policy.
Add	Click <b>Add</b> to include the entry in the Filter policy.
Apply	Click <b>Apply</b> to save the values and update the policy.

## 4.5 Wireless Settings

### 4.5.1 Basic

To access this page, click **Wireless Settings > Basic**.

**Figure 4.15 Wireless Settings > Basic**

The following table describes the items in the previous figure.

Item	Description
<b>Wireless Network</b>	
Operation Mode	Click the drop-down menu to select an operation mode.
SSID	Enter the name to distinguish it from other networks in your neighborhood.
BSSID	Display the MAC address of the device.
<b>Operation frequency</b>	
Country Code	US is the default country setting



Item	Description
Channel Selection	Click the drop-down menu to select Auto (default) or Manual. The Auto selection allows the device to select (2.4G or 5G) automatically. The Manual selection provides access to a selection of the option band (2.4G or 5G).
Channel bandwidth	Click the drop-down menu to select the band and channel bandwidth.
Apply	Click <b>Apply</b> to save the values and update the screen.

## 4.5.2 Advanced

To access this page, click **Wireless Settings > Advanced**.

**Figure 4.16 Wireless Settings > Advanced**

The following table describes the items in the previous figure.

Item	Description
<b>Client Settings</b>	
Roam	Click the drop-down menu to enable/disable the roaming function (default: Disable). The function allows client devices to gateway between one access point (AP) to another.
Watchdog	The function is used to monitor specific events, which are triggered upon meeting set conditions. <ul style="list-style-type: none"> <li>■ Disable: Disable the watchdog function.</li> <li>■ Disassociation: Once set conditions are met within the defined Disassociate Timer setting, one of the following watchdog actions is triggered: Restart WiFi, Reboot, Force or Re-association.</li> <li>■ Ping: The feature pings a specified IP address.</li> </ul>
Watchdog Action	Click the drop-down menu to associate a response to the Watchdog event, options: Restart WiFi, Reboot, Force Re-association.
Disassociate Timer	The set value in seconds defining the disassociation period. Once the condition is met, the defined watchdog action is triggered.
Ping target	Enter the IP address to ping when Watchdog Ping is selected.
Ping Waittime	Enter a value in seconds to designate the interval between pings.
Ping Loss Counter	Enter a value to activate the Watchdog function when the configured number of ping failure time is reached.

Item	Description
MAC Clone	Click the drop-down menu to enable or disable (default) the client to clone and use the MAC address of the connected device. In MAC sensitive networks, the function allows to client to overcome the limitation of the IP-bridged behavior.
<b>Advanced Wireless Setting</b>	
Transmission Power	Click the drop-down menu to set the transmission power of the WiFi. By default the AP transmits at full power: Full, Half or Quarter.
Short Guard Interval	Click the drop-down menu to enable/disable the short guard interval. In 802.11 operation, the guard interval is 800ns. The short guard interval time is 400ns to allow for an increased throughput.
Apply	Click <b>Apply</b> to save the values and update the screen.

### 4.5.3 Security

To access this page, click **Wireless Settings > Security**.



**Figure 4.17 Wireless Settings > Security**

The following table describes the items in the previous figure.

Item	Description
<b>Security Policy</b>	
Security Mode	Click the drop-down menu to select the encryption when communication. Available options: None, WEP, WPA-Personal or WPA/WPA2-Enterprise. If data encryption is enabled, the key is required and only sharing the same key with other wireless devices can the communication be established.
Apply	Click <b>Apply</b> to save the values and update the screen.

## 4.5.4 Statistics

To access this page, click **Wireless Settings > Statistics**.

Overview	
Information Name	Information Value
Mode	Client
SSID	EKI-6233BN
Channel / Frequency	
Receive Statistics	
Information Name	Information Value
BSSID	
Signal Level	dBm
Wlan Status	
Information Name	Information Value
TX packets	0
TX bytes	0
RX packets	0
RX bytes	0

**Figure 4.18 Wireless Settings > Statistics**

The following table describes the items in the previous figure.

Item	Description
<b>Overview</b>	
Mode	Display the current operation mode of the device.
SSID	Display the SSID.
Channel / Frequency	Display the current channel / frequency of the device.
<b>Receive Statistics</b>	
BSSID	Displays the basic service set identifier (BSSID), access point unique MAC address.
Signal Level	Displays the power level measure in decibel-milliwatts of the listed BSSID.
<b>Wlan status</b>	
TX packets	Display the current Tx packets.
TX bytes	Display the current Tx bytes.
RX packets	Display the current Rx packets.
RX bytes	Display the current Rx bytes.

## 4.5.5 Site Survey

To access this page, click **Wireless Settings > Site Survey**.

AP List				
SSID	BSSID	Channel (Frequency)	Signal Level	Encryption
EKI-6333AC	74:FE:48:36:03:D8	44 (5.220 GHz)	-68 dBm	Open
Cell	48:4A:E9:00:1D:D2	161 (5.805 GHz)	-81 dBm	Open
WiFi	48:4A:E9:00:1D:D3	161 (5.805 GHz)	-81 dBm	Open
Advantech-Guest	48:4A:E9:00:1D:D0	161 (5.805 GHz)	-79 dBm	WPA-Enterprise
EKI-6333AC-1GP-2.4G	88:DC:96:97:09:91	6 (2.437 GHz)	-90 dBm	Open
EKI-6333AC-1GP-5G	88:DC:96:97:09:92	36 (5.180 GHz)	-74 dBm	Open

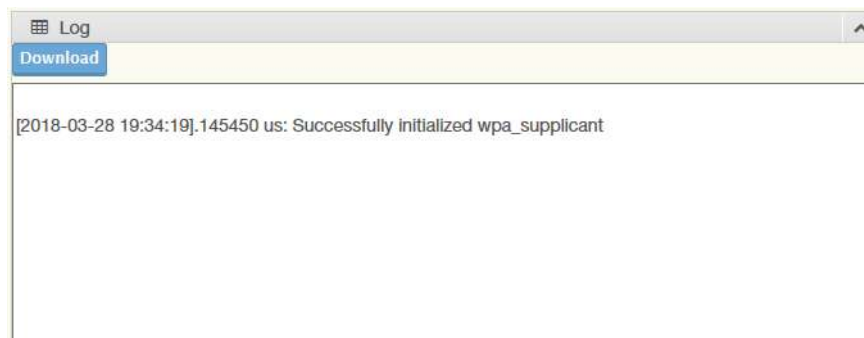
**Figure 4.19 Wireless Settings > Site Survey**

The following table describes the items in the previous figure.

Item	Description
Refresh	Click <b>Refresh</b> to update the screen.

#### 4.5.6 Log

To access this page, click **Wireless Settings > Log**.



**Figure 4.20 Wireless Settings > Log**

The following table describes the items in the previous figure.

Item	Description
Download	Click <b>Download</b> to download the log file.

## 4.6 Alarm

You can set the e-mail server and SNMP Trap server in the Setting page, and set the event type in the Event page.

### 4.6.1 Setting

The Alarm Setting menu includes three alarm setting menus for event notification: Mail Sever, SNMP Trap Server, and the SNMP Agent Setting.

At the top of the list is the Mail Server setting which allows you to specify the mail server to be used by the device in order to deliver notifications to selected Email accounts.

The SNMP Trap Server settings allows you to specify the management station of a significant event by way of an unsolicited SNMP message.

The Simple Network Management Protocol (SNMP) is used by the device to collect detailed information about the device.

To access this page, click **Alarm > Setting**.

**Figure 4.21 Alarm > Setting**

The following table describes the items in the previous figure.

Item	Description
<b>Mail Server</b>	
Mail Server	Enter the SMTP mail server.
From Email address	Enter the email address.
Email address 1	Enter the email address 1 to receive alarm emails.
Email address 2	Enter the email address 2 to receive alarm emails.
Email address 3	Enter the email address 3 to receive alarm emails.
Email address 4	Enter the email address 4 to receive alarm emails.
<b>SNMP Trap Server</b>	
Trap Server	Enter the SNMP Trap server address.
Trap Server Port	Enter the SNMP Trap server port.
Trap Version	Click the radio button to select the SNMP version credentials: v1 or v2c.
Trap Community	Enter the community string to be passed for the specified event.
<b>SNMP Agent Setting</b>	

Item	Description
Read Community	Enter the read-only, public, community string.
Write Community	Enter the write-only, private, community string.
Contact	Enter the individual designated the contact point for this event.
Location	Enter the designated location/department of the setting.
Apply	Click <b>Apply</b> to save the values and update the screen.

## 4.6.2 Event

The Alarm Event page allows the selection of triggers for system, DCD and DSR events for the alarm function.

To access this page, click **Alarm > Event**.

**Figure 4.22 Alarm > Event**

The following table describes the items in the previous figure.

Item	Description
<b>System Event</b>	
Cold Start	Click the option to select a warning type when the device's power is cut off and reconnected.
Warm Start	Click the option to select a warning type when the device is reboot.
Authentication failure	Click the option to select a warning type when an incorrect password is entered.
IP address changed	Click the option to select a warning type when the IP address is changed.
Password changed	Click the option to select a warning type when the password is changed.
LAN Interface 1 link down	Click the option to select a warning type when the LAN Interface 1 port is disconnected.
Apply	Click <b>Apply</b> to save the values and update the screen.

### 4.6.3 LogFile

To access this page, click **Alarm > LogFile**.



**Figure 4.23 Alarm > LogFile**

The following table describes the items in the previous figure.

Item	Description
Log File	Click the drop-down menu to select a specific action for the system log file. Available options: Download Log File, Remove Log File, Download and Remove Log File.
Export	Click <b>Export</b> to download the log file.

## 4.7 Administration

### 4.7.1 System

To access this page, click **Administration > System**.



**Figure 4.24 Administration > System**

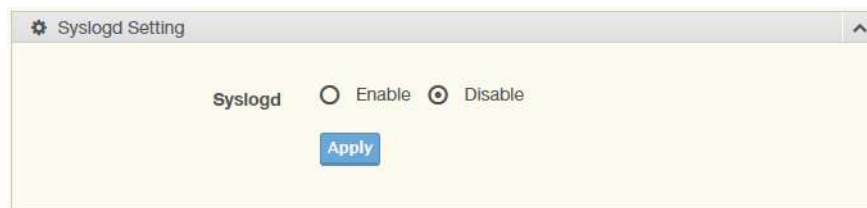
The following table describes the items in the previous figure.

Item	Description
Device Description	Enter the device description.
VCOM Ignore Device ID	Click <b>Enabled</b> or <b>Disabled</b> to enable or disable VCOM ignore device ID for debug probes.
Telnet	Click <b>Enabled</b> or <b>Disabled</b> to set remote access through the Telnet Service function.
SNMP	Click <b>Enabled</b> or <b>Disabled</b> to define the SNMP daemon.
Apply	Click <b>Apply</b> to save the values and update the screen.

### 4.7.2 Syslog

Users can enable the syslogd function to record historical events or messages locally or on a remote syslog server.

To access this page, click **Administration > Syslogd**.



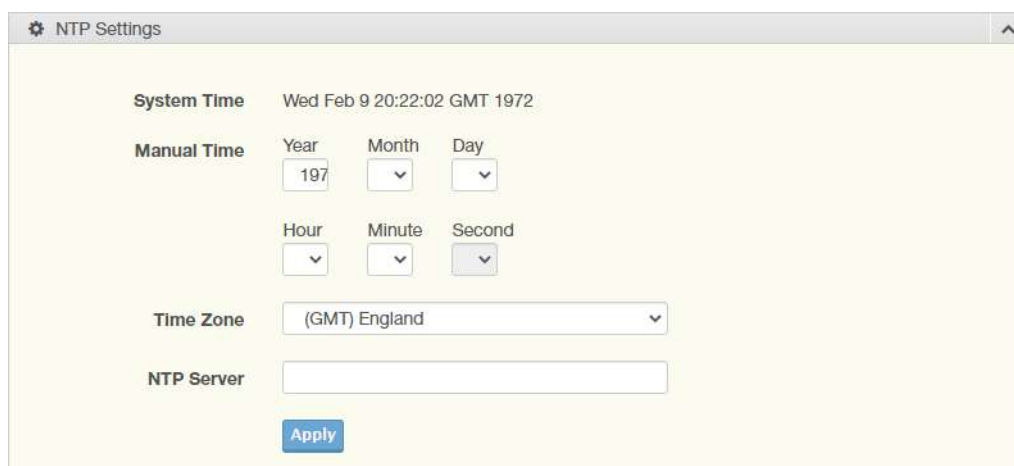
**Figure 4.25 Administration > Syslogd**

The following table describes the items in the previous figure.

Item	Description
Syslogd	Click <b>Enabled</b> or <b>Disabled</b> to set the logging service status.
Apply	Click <b>Apply</b> to save the values and update the screen.

### 4.7.3 NTP / Time Function

To access this page, click **Administration > NTP / Time**.



**Figure 4.26 Administration > NTP / Time**

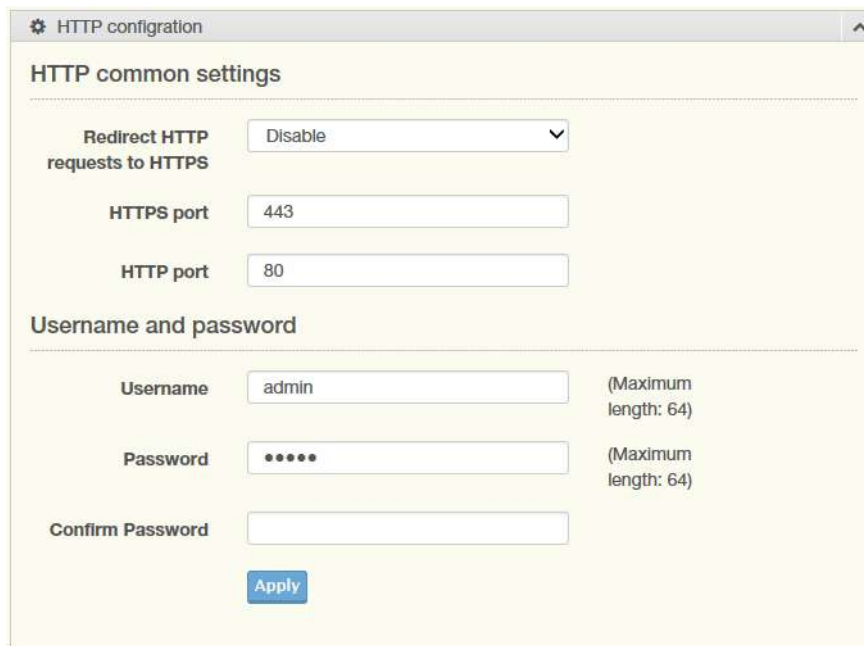
The following table describes the items in the previous figure.

Item	Description
System Time	Displays the current System Time.
Manual Time	If NTP Service is disabled, manually enter the NTP settings. Settings: Year, Month, Day, Hour, Minute, Seconds.
NTP Service	Click the drop-down menu to enable the NTP server.
Time Zone	Click the drop-down menu to select a system time zone.
NTP Server	Enter the address of the SNTP server.
Apply	Click <b>Apply</b> to save the values and update the screen.



## 4.7.4 HTTP

To access this page, click **Administration > HTTP**.



The screenshot shows a web interface for 'HTTP configuration'. It is divided into two main sections: 'HTTP common settings' and 'Username and password'. In the 'HTTP common settings' section, there is a dropdown menu for 'Redirect HTTP requests to HTTPS' set to 'Disable', a text input for 'HTTPS port' with the value '443', and a text input for 'HTTP port' with the value '80'. The 'Username and password' section contains three text inputs: 'Username' with the value 'admin', 'Password' with masked characters '\*\*\*\*\*', and 'Confirm Password' which is empty. To the right of the 'Username' and 'Password' inputs, there is a note '(Maximum length: 64)'. At the bottom of the form is a blue 'Apply' button.

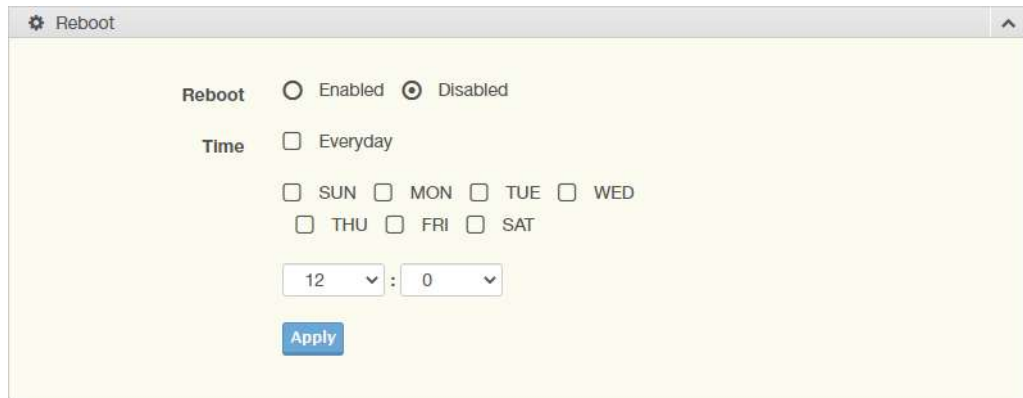
**Figure 4.27 Administration > HTTP**

The following table describes the items in the previous figure.

Item	Description
<b>HTTP common settings</b>	
Redirect HTTP requests to HTTPS	Click the drop-down menu to enable or disable the function. By default the function is disabled. When enabled, a NAT setting and Open Ports can be setup to direct connection requests to an internal server.
HTTPS port	Enter the port to forward HTTPS traffic, default: 443.
HTTP port	Enter the port to forward HTTP traffic, default: 80.
<b>Username and password</b>	
Username	Enter the name of the user entry.
Password	Enter the character set for the define password type.
Confirm Password	Retype the password entry to confirm the profile password.
Apply	Click <b>Apply</b> to save the values and update the screen.

## 4.7.5 Scheduler

To access this page, click **Administration > Scheduler**.



**Figure 4.28 Administration > Scheduler**

The following table describes the items in the previous figure.

Item	Description
Reboot	Click to <b>Enabled</b> or <b>Disabled</b> the Reboot scheduled function.
Time	Click to enable or disable the daily reboot schedule. Alternatively, disable Everyday to manually select a specific day and hour/minutes of the week to schedule the reboot.
Apply	Click <b>Apply</b> to save the values and update the screen.

## 4.7.6 Configuration

To access this page, click **Administration > Configuration**.



**Figure 4.29 Administration > Configuration**

The following table describes the items in the previous figure.

Item	Description
<b>Export Configuration</b>	
Export	Click <b>Export</b> to export the device settings.
<b>Import Configuration</b>	
Browse	Click <b>Browse</b> to select the configuration file.
Import	Click <b>Import</b> to import the configuration to the device.
Cancel	Click <b>Cancel</b> to cancel the import function.

Item	Description
<b>Load Factory Defaults</b>	
Load Default	Click <b>Load Default</b> to have all configuration parameters reset to their factory default values. All changes that have been made will be lost, even if you have issued a save.

### 4.7.7 Firmware Upgrade

To access this page, click **Administration > Firmware Upgrade**.



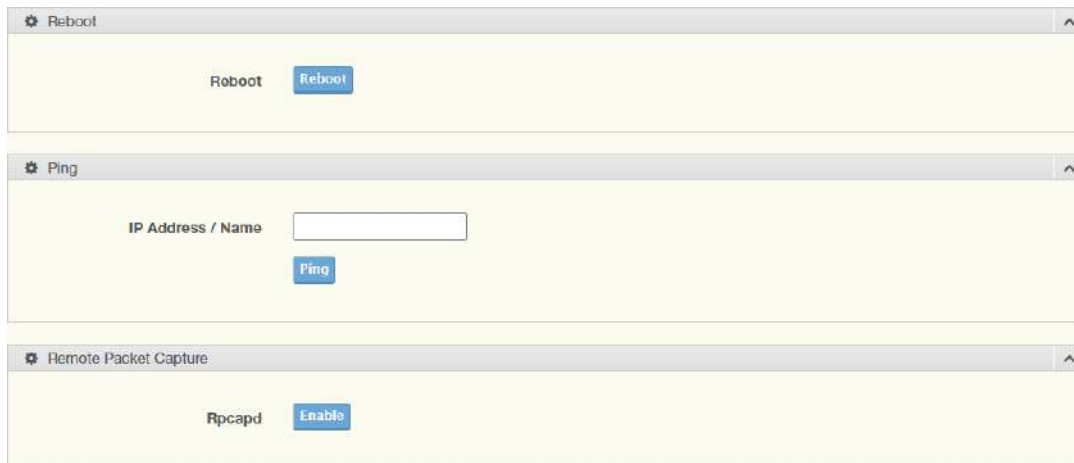
**Figure 4.30 Administration > Firmware Upgrade**

The following table describes the items in the previous figure.

Item	Description
Browse	Click <b>Browse</b> to select the configuration file.
Upload	Click <b>Upload</b> to upload to the current version.

### 4.7.8 Tools

To access this page, click **Administration > Tools**.



**Figure 4.31 Administration > Tools**

The following table describes the items in the previous figure.

Item	Description
<b>Reboot</b>	
Reboot	Click <b>Reboot</b> to reboot the device. Any configuration changes you have made since the last time you issued a save will be lost.
<b>Ping</b>	

---

Item	Description
IP Address / Name	Enter the IP address or host name of the station to ping. The initial value is blank. The IP Address or host name you enter is not retained across a power cycle. Host names are composed of series of labels concatenated with periods. Each label must be between 1 and 63 characters long, maximum of 64 characters.
Ping	Click <b>Ping</b> to display ping result for the IP address.
<b>Remote Packet Capture</b>	
Rpcapd	Click <b>Enable</b> to the Remote Packet Capture feature to specify a remote port as the destination for packet captures.

# Chapter 5

## Telnet Configuration

## 5.1 Overview

The purpose of the Console Configuration is to help you manage your device in console mode. One of the main functions of the console mode is to change the web configuration login password. You can use terminal software like Hyper Terminal, Telix and other related terminal software.

## 5.2 Telnet Console

### 5.2.1 Create a new connection

You can create a new Telnet connection and assign a connection name for the console configuration.



Figure 5.1 Creating a Telnet Connection

## 5.2.2 Input the IP address

Confirm that the Telnet console configuration works ok. Be sure that your host PC Ethernet network IP domain is as same as the EKI-6233BN device, and the Telnet TCP port number is “23”.

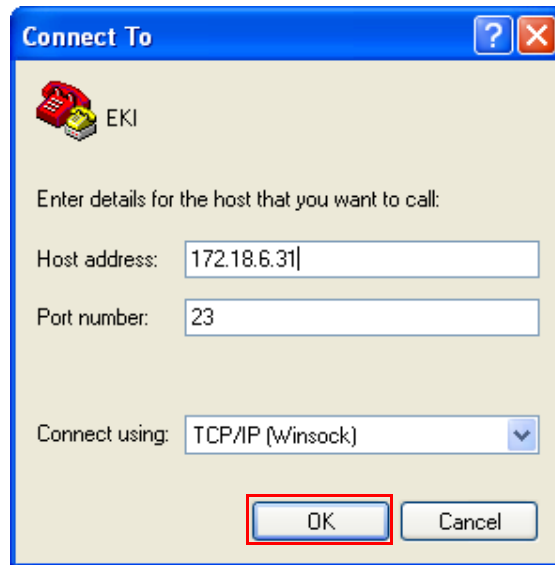


Figure 5.2 Creating a Telnet Connection

## 5.2.3 Connection Success

After connecting to the device in HyperTerminal console, a welcome greeting displays.

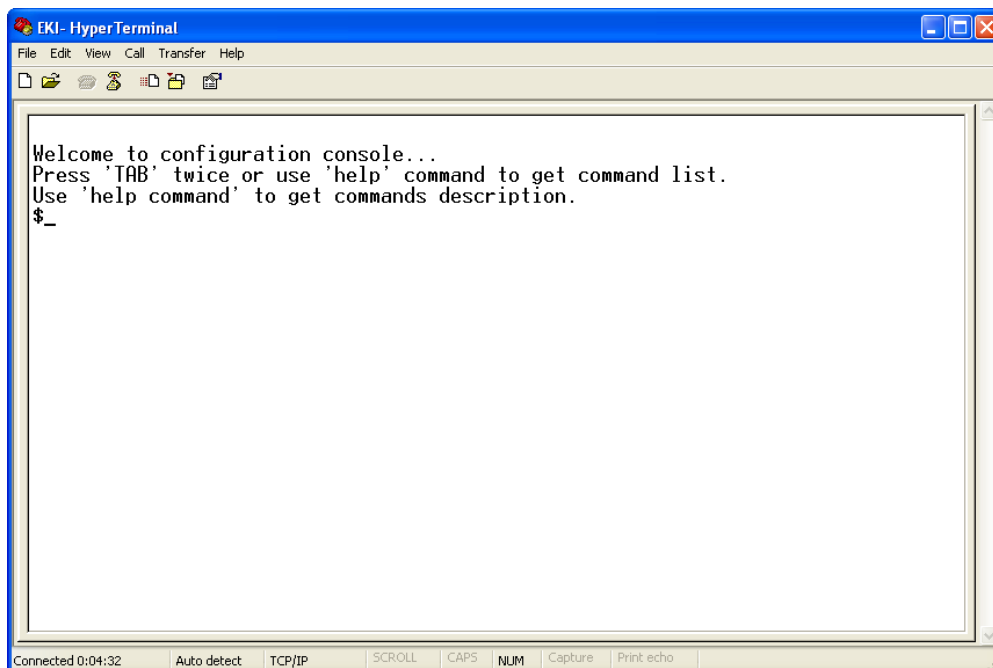


Figure 5.3 Telnet Connection Console

At the command prompt, you can type a “help” followed by the Enter button, or <Tab> twice, to display the command list.

You can toggle between the different command menu options.

## 5.3 Command List

Command	Function Description
system	Show or configure the system information
port	Show or configure the serial ports information
portadv	Show or configure the serial ports advanced settings
mvcom	Show or configure the serial ports in Virtual COM mode
mctrl	Show or configure the serial ports in Control mode (USDG)
mdata	Show or configure the serial ports in Data mode (USDG)
net	Show or configure the Ethernet ports settings
alarm	Show or configure the auto warning functions including mail alarm and SNMP alarm
monitor	Monitor the serial ports status
mrfc2217	Show all port modes and mode information
time	Show or configure the time information
service	Enable or disable the web, Telnet and SNMP functions
apply	Write settings to the flash memory and reboot the system immediately
exit	Terminate the shell session
help	Display command list help information
reboot	Show all port modes and mode information
wireless	Show or configure the wireless settings or informations
wirelessadv	Show or configure the advanced wireless settings or informations

### 5.3.1 system

Usage: system

Show firmware version, device name and description.

Usage: system name [Maximum length 31 bytes]

Set current device name.

Usage: system desc [Maximum length 127 bytes]

Set current device description.



- parity n: None Parity.
- parity e: Even Parity.
- parity o: Odd Parity.
- parity m: Mark Parity.
- parity s: Space Parity.

Usage: port [nn|all] mode [vcom|ctrl|data]

Set the serial ports as virtual COM mode, control mode, or data mode.

#### 5.3.4 mvcom

Usage: mvcom

Show all serial ports mode and related information.

Usage: mvcom [nn|all]

Set the “nn”<sup>th</sup> or all serial ports as the Virtual COM mode.

Usage: mvcom [nn|all] idleto []

Set the “nn”<sup>th</sup> or all serial ports host idle timeout(S).

Usage: mvcom [nn|all] respto [] framebk []

Set the “nn”<sup>th</sup> or all serial ports response timeout and frame break.

Usage: mvcom [nn|all] bysize []

Set datapackage as size(bytes).

Value 0 : None Setting.

Usage: mvcom [nn|all] bytime []

Set datapackage as time(ms).

---

Value 0 : None Setting.

Usage: mvcom [nn|all] bychar [NULL]

Set datapackage as character(HEX).

Value 0 : None Setting.

### 5.3.5 mctrl

Usage: mctrl

Show all serial ports mode and related information.

Usage: mctrl [nn|all]

Set the “nn”<sup>th</sup> or all serial ports as the control mode.

Usage: mctrl [nn|all] idleto [] guardt [] hangchr []

Set the “nn”<sup>th</sup> or all serial ports data idle timeout, guard time and hang character.

### 5.3.6 mdata

Usage: mdata

Show all serial ports mode and related information.

Usage: mdata [nn|all]

Set the “nn”<sup>th</sup> or all serial ports as the data mode.

Usage: mdata [nn|all] protocol [TCP|UDP]

Set the “nn”<sup>th</sup> or all serial ports’ transmit protocol as TCP or UDP.

Usage: mdata [nn|all] idleto [] lsport [] atport []

Set the “nn”<sup>th</sup> or all serial ports data idle timeout, listen port, and AT command port.

Usage: mdata [nn|all] respto [] framebk []

Set the “nn”<sup>th</sup> or all serial ports response timeout and frame break.

Usage: mdata [nn|all] peernum [1-16] peer [d.d.d.d:d] ...

Set the peer IP address and port for receive data.

Usage: mdata [nn|all] bysize [] bytime [] bychar [NULL] bychartimeout [ON|OFF]

Set datapackage as size(bytes) or time(ms) or character(HEX) and charactertime out.

Value 0 : None Setting.

Usage: mdata [nn|all] autopeerip [ON|OFF]

Set auto connect to peer ip as on or off.

### 5.3.7 net

Usage: net [1|2]

Show the first or second Ethernet port status and information.

Usage: net [1|2] mode [static|dhcp|boot|all]

Set the network operating mode.

Usage: net [1|2] ip [d.d.d.d] netmask [d.d.d.d] gw [d.d.d.d]

Set IP address, subnet mask, and default gateway.

Usage: net [1|2] dns [auto|specific]

Enable/Disable DNS.

Usage: net [1|2] dns1 [d.d.d.d]

Set network DNS1.

Usage: net [1|2] dns2 [d.d.d.d]

Set network DNS2.

Usage: net [1|2] to [d]

Set network timeout.

### 5.3.8 alarm

Usage: alarm

Show current alarm informations.

Usage: alarm mail server [null|address] from [null|address] to1 [null|address] to2 [null|address] to3 [null|address] to4 [null|address]

Set current mail server configuration.

Usage: alarm trap server [null|address] ver [1|2] community [null|name]

Set current trap server configuration.

Usage: alarm agent rcommunity [null|name] wcommunity [null|name] contact [null|name] location [null|name]

Set current snmp agent configuration.

Usage: alarm event mail [cstart] [wstart] [auth] [ip] [passwd] [eth1]

Set current mail event configuration.

Usage: alarm event trap [cstart] [wstart] [auth] [eth1]

Set current trap event configuration.

Usage: alarm port [1|2|..] dcd [none|mail|trap|all] dsr [none|mail|trap|all]

Set current port alarm configuration.

### 5.3.9 monitor

Usage: monitor port [1-16] setting

Monitor the serial ports settings.

Usage: monitor port [1-16] statistic

Monitor the serial ports statistic.

Usage: monitor port [1-16] ip

Monitor the serial ports connected IP address.

### 5.3.10 time

Usage: time

Show current time informations.

Usage: time [YYYYMMDDhhmmss]

Set current time configuration.

Usage: time ntp [timeserver]

Set current time server configuration.

### 5.3.11 service

Usage: service telnet [enable|disable]

Enable/Disable telnet function.

Usage: service snmp [enable|disable]

Enable/Disable SNMP function.

---

### 5.3.12 **apply**

Usage: apply

Save the settings to the flash memory and reboot the system immediately.

### 5.3.13 **exit**

Usage: exit

Terminate the shell session.

### 5.3.14 **help**

Usage: help

Display help information of command list.

Usage: help [cmd]

Show the usage of command.

### 5.3.15 **wireless**

Usage: wireless

Show or configure the wireless settings or informations.

Usage: wireless ssid []

Set SSID.

Usage: wireless country [us|de|fr|es|jp|kr|cn] channel [0|1|...|14]

Set country code and channel. –

us: United States

– channel 0: Auto

Usage: wireless encryption [none|wep|wpa-psk|wpa-enterprise]

Set encryption type.

Usage: wireless wepidx [0|1|2|3]

Set WEP key index.

Usage: wireless wepkey [asc|hex] []

Set WEP key as [] in specific format.

Usage: wireless wpakey []

Set WPA-PSK key as [].

Usage: wireless wpaep [tls|ttls|peap]

Set WPA-Enterprise EAP method.

Usage: wireless wpaid []

Set WPA-Enterprise identity as [].

Usage: wireless wpapw []

Set WPA-Enterprise as [].

Usage: wireless wpaphase [mschapv2|md5]

Set WPA-Enterprise inner authentication.

Usage: wireless capw []

Set private key as [].

Usage: wireless cacert

Import the CA certification from host PC to device.

Usage: wireless caclient

Import the Client certification from host PC to device.

Usage: wireless cakey

Import the private key from host PC to device.

### 5.3.16 wirelessadv

Usage: wirelessadv

Show device wireless advance informations.

Usage: wirelessadv roaming [on|off]

Enable/disable Roaming.

Usage: wirelessadv rssi [10|...|95]

Set connection quality monitor RSSI threshold.

Usage: wirelessadv rssi\_hyst [0-24]

Set connection quality monitor RSSI hysteresis.

Usage: wirelessadv scanint\_high [10|...|600]

Set scan interval when received signal strength is better than RSSI threshold.

Usage: wirelessadv scanint\_low [10|...|600]

Set scan interval when received signal strength is worse than RSSI threshold.

### 5.3.17 reboot

Usage: reboot

Write settings and reboot the system immediately.

### 5.3.18 mrfc2217

Usage: mrfc2217

Show all port mode and mode informations.

---

Usage: mrfc2217 [nn|all]

Set port [nn|all] as RFC2217 mode.

Usage: mrfc2217 [nn|all] idleto [] lsport []

Set host idle timeout(s) and listen port.

# ADVANTECH

*Enabling an Intelligent Planet*

[www.advantech.com](http://www.advantech.com)

Please verify specifications before quoting. This guide is intended for reference purposes only.

All product specifications are subject to change without notice.

No part of this publication may be reproduced in any form or by any means, electronic, photocopying, recording or otherwise, without prior written permission of the publisher.

All brand and product names are trademarks or registered trademarks of their respective companies.

© Advantech Co., Ltd. 2022