



Test report No.: 2410481R-SAUSV01S-A

SAR Test Report (Class II Permissive Change)

Product Name	Wi-Fi 6E AX210
Trademark	ADVANTECH
Model and /or type reference	AX210D2W
Applicant's name / address	Advantech Co., Ltd. No.1, Alley 20, Lane 26, Rueiguang Road, Neihu District, Taipei 114, Taiwan
Manufacturer's name	Intel Mobile Communications
FCC ID	M82-AX210D2
Applicable Standard	IEEE 1528-2013 KDB 447498 D01 v06 KDB 865664 D01 v01r04
Test Result	Max. SAR Measurement (1g) 2.4 GHz: 1.187 W/kg 5 GHz: 1.166 W/kg 6 GHz: 0.637 W/kg Max. psPD Measurement (4cm ²) 6 GHz: 7.557 W/m ²
Verdict Summary	IN COMPLIANCE
Documented By (Senior Project Specialist / Genie Chang)	<i>Genie Chang</i>
Tested By (Senior Engineer / Luke Cheng)	<i>Luke Cheng</i>
Approved By (Assistant Manager / San Lin)	<i>San Lin</i>
Date of Receipt	2024/01/17
Date of Issue	2024/03/11
Report Version	V1.0

INDEX

	Page
1. General Information	5
1.1 EUT Description	5
1.2 Antenna List	6
1.3 SAR Test Exclusion Calculation	7
1.4 Test Environment.....	9
1.5 Measurement procedures.....	10
2. SAR Measurement System	11
2.1 DASY System Description	11
2.2 Area Scans.....	13
2.3 DASY E-Field Probe.....	14
2.4 DATA Acquisition Electronics (DAE) and Measurement Server	15
2.5 Robot.....	16
2.6 Device Holder	16
2.7 Phantom	17
3. Tissue Simulating Liquid	18
3.1 The composition of the tissue simulating liquid	18
3.2 Tissue Calibration Result.....	18
3.3 Tissue Dielectric Parameters for Phantoms	20
4. Measurement Procedure.....	21
4.1 SAR System Check.....	21
4.2 SAR Measurement Procedure.....	24
4.3 Absorbed Power Density (APD)	25
4.4 Power Density Measurement Procedure	25
5. RF Exposure Limits.....	26
6. Test Equipment List	27
7. Measurement Uncertainty.....	29
8. Conducted Power Measurement (Including tolerance allowed for production unit).....	34
9. Test Results	41
9.1 Test Results Summary	41
9.2 Simultaneous Transmission.....	45
10. SAR measurement variability	47
Appendix A. System Check Data	
Appendix B. Highest measurement Data	
Appendix C. Test Setup Photographs	
Appendix D. Probe Calibration Data	
Appendix E. Dipole & Source Calibration	
Appendix F. Product Photos-Please refer to the file: 2410481R-Product Photos	

Competences and Guarantees

DEKRA is a testing laboratory competent to carry out the tests described in this report.

In order to assure the traceability to other national and international laboratories, DEKRA has a calibration and maintenance program for its measurement equipment.

DEKRA guarantees the reliability of the data presented in this report, which is the result of the measurements and the tests performed to the item under test on the date and under the conditions stated in the report and it is based on the knowledge and technical facilities available at DEKRA at the time of performance of the test.

DEKRA is liable to the client for the maintenance of the confidentiality of all information related to the item under test and the results of the test.

The results presented in this Test Report apply only to the particular item under test established in this document.

IMPORTANT: No parts of this report may be reproduced or quoted out of context, in any form or by any means, except in full, without the previous written permission of DEKRA.

General conditions

1. The test results relate only to the samples tested.
2. The test results shown in the test report are traceable to the national/international standard through the calibration report of the equipment and evaluated measurement uncertainty herein.
3. This report must not be used to claim product endorsement by TAF or any agency of the government.
4. The test report shall not be reproduced without the written approval of DEKRA Testing and Certification Co., Ltd.
5. Measurement uncertainties evaluated for each testing system and associated connections are given here to provide the system information for reference. Compliance determinations do not take into account measurement uncertainties for each testing system, but are based on the results of the compliance measurement.

Revision History

Report No.	Version	Description	Issued Date
2410481R-SAUSV01S-A	V1.0	Initial issue of report.	2024/03/11

1. General Information

1.1 EUT Description

Product Name	Wi-Fi 6E AX210
Trademark	ADVANTECH
Model and /or type reference	AX210D2W
FCC ID	M82-AX210D2
Frequency Range	WLAN 2.4GHz: 2412-2472MHz WLAN 5GHz: 5180-5240MHz, 5260-5320MHz, 5500-5720MHz, 5745-5825MHz, 5845-5885MHz WLAN 6GHz: 5955-7115MHz BT: 2402-2480MHz
Type of Modulation	802.11b: DSSS 802.11a/g/n/ac/ax: OFDM, OFDMA GFSK(1Mbps) / π /4DQPSK(2Mbps) / 8DPSK(3Mbps)
Antenna Type	PIFA
Device Category	Portable
RF Exposure Environment	Uncontrolled

Summary of test result-Reported 1g SAR (W/Kg)				
Test configuration	DTS	NII	6XD	DSS(BT)
Standalone	1.187	1.166	0.637	0.247
Simultaneous	2.333 (SPLSR=0.03)	1.639 (SPLSR=0.02)	0.961	1.639 (SPLSR=0.02)
Summary of test result – Power Density				
Test configuration	6XD			
APD (W/m ²)	4.730			
Reported PD (W/m ²)	7.557			

Note:

Host information				
Brand	Product Name	Host FCC ID	Model No.	Difference
ADVANTECH	Tablet PC	M82-AIM68S	AIM-68SXXXXXXXXXXXXXXXXXX (where “X” may be any Alphanumeric character or blank or “-”.)	All models are electrically identical, different model names are for marketing purpose.
The representative test sample is AIM-68S.				

1.2 Antenna List

No.	Manufacturer	Part No.	Antenna Type	Peak Gain
1	INPAQ	RFDPA431216EMMB301 (1751000513-01) (Main)	PIFA	2.82 dBi for 2400 MHz 3.31 dBi for 5150~5250 MHz 3.69 dBi for 5250~5350 MHz 4.36 dBi for 5470~5725 MHz 4.41 dBi for 5725~5850 MHz 4.41 dBi for 5850~5895 MHz 4.32 dBi for 5925~6425 MHz 4.02 dBi for 6425~6525 MHz 4.21 dBi for 6525~6875 MHz 4.33 dBi for 6875~7125 MHz
		RFDPA431229EMMB301 (1751000514-01) (Aux)		2.81 dBi for 2400 MHz 3.25 dBi for 5150~5250 MHz 3.38 dBi for 5250~5350 MHz 3.18 dBi for 5470~5725 MHz 2.87 dBi for 5725~5850 MHz 2.87 dBi for 5850~5895 MHz 3.37 dBi for 5925~6425 MHz 2.37 dBi for 6425~6525 MHz 2.72 dBi for 6525~6875 MHz 3.62 dBi for 6875~7125 MHz

Note: The above EUT information by host manufacturer.

1.3 SAR Test Exclusion Calculation

According to KDB Publication 447498 D01, section 4.3.1, SAR is required based on the calculations of item 1 (Power(mW)/separation (mm)*sqrt(f(GHz))) for 1-g SAR when the value is ≤ 3.0 .

SAR exclusion calculations for WiFi-SISO and Bluetooth for antenna < 50mm from the user :

Antenna	Tx	Frequency (MHz)	Output Power		Separation distances (mm)					Calculated Threshold Value (≤ 3.0 SAR is not required)					
			dBm	mW	Back	Right	Left	Top	Bottom	Back	Right	Left	Top	Bottom	
Main	WiFi	2462	19	79	6.95	212.04	23.54	166.36	6.99		17.9	>50mm	5.3	>50mm	17.8
Main	WiFi	5240	14	25	6.95	212.04	23.54	166.36	6.99		8.3	>50mm	2.4	>50mm	8.2
Main	WiFi	5320	14	25	6.95	212.04	23.54	166.36	6.99		8.3	>50mm	2.5	>50mm	8.3
Main	WiFi	5700	14	25	6.95	212.04	23.54	166.36	6.99		8.6	>50mm	2.5	>50mm	8.6
Main	WiFi	5825	14	25	6.95	212.04	23.54	166.36	6.99		8.7	>50mm	2.6	>50mm	8.7

SAR exclusion calculations for WiFi-SISO and Bluetooth for antenna > 50mm from the user :

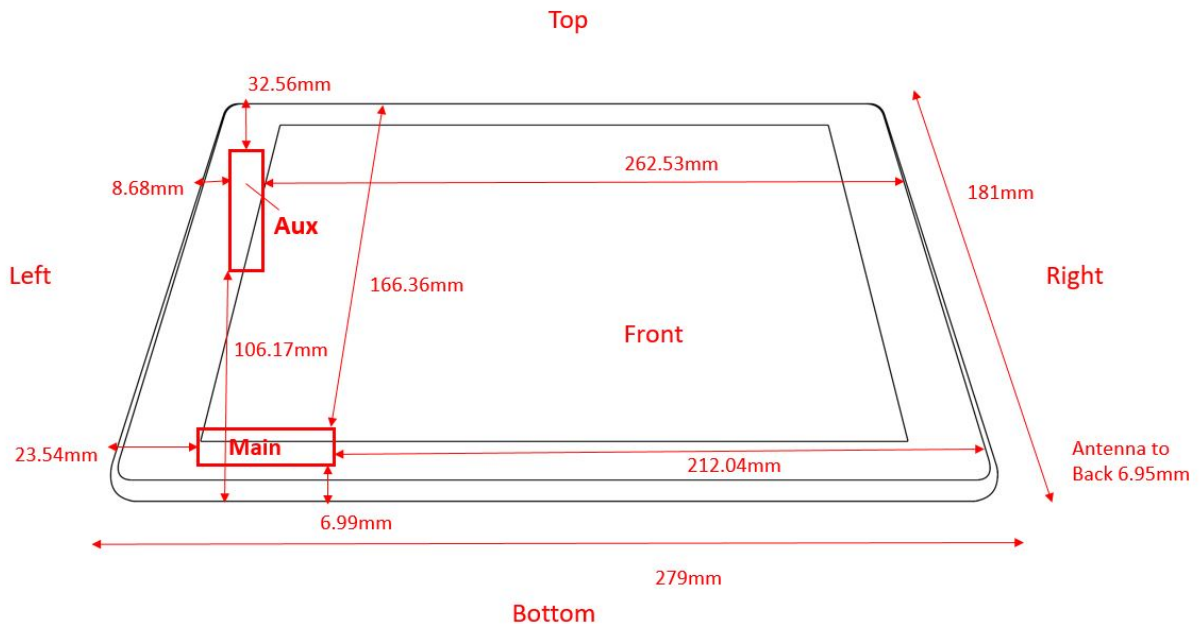
Antenna	Tx	Frequency (MHz)	Output Power		Separation distances (mm)					Calculated Threshold Value (SAR test exclusion power,mW)					
			dBm	mW	Back	Right	Left	Top	Bottom	Back	Right	Left	Top	Bottom	
Main	WiFi	2462	19	79	6.95	212.04	23.54	166.36	6.99		<50mm	1716.0	<50mm	1259.2	<50mm
Main	WiFi	5240	14	25	6.95	212.04	23.54	166.36	6.99		<50mm	1685.9	<50mm	1229.1	<50mm
Main	WiFi	5320	14	25	6.95	212.04	23.54	166.36	6.99		<50mm	1685.4	<50mm	1228.6	<50mm
Main	WiFi	5700	14	25	6.95	212.04	23.54	166.36	6.99		<50mm	1683.2	<50mm	1226.4	<50mm
Main	WiFi	5825	14	25	6.95	212.04	23.54	166.36	6.99		<50mm	1682.6	<50mm	1225.8	<50mm

SAR exclusion calculations for WiFi-SISO and Bluetooth for antenna < 50mm from the user :

Antenna	Tx	Frequency (MHz)	Output Power		Separation distances (mm)						Calculated Threshold Value (≤ 3.0 SAR is not required)				
			dBm	mW	Back	Right	Left	Top	Bottom	Back	Right	Left	Top	Bottom	
Aux	WiFi	2462	19	79	6.95	262.53	8.68	32.56	106.17		17.9	>50mm	14.4	3.8	>50mm
Aux	WiFi	5240	14	25	6.95	262.53	8.68	32.56	106.17		8.3	>50mm	6.6	1.8	>50mm
Aux	WiFi	5320	14	25	6.95	262.53	8.68	32.56	106.17		8.3	>50mm	6.7	1.8	>50mm
Aux	WiFi	5700	14	25	6.95	262.53	8.68	32.56	106.17		8.6	>50mm	6.9	1.8	>50mm
Aux	WiFi	5825	14	25	6.95	262.53	8.68	32.56	106.17		8.7	>50mm	7.0	1.9	>50mm
Aux	BT	2480	11.5	14	6.95	262.53	8.68	32.56	106.17		3.2	>50mm	2.6	0.7	>50mm

SAR exclusion calculations for WiFi-SISO and Bluetooth for antenna > 50mm from the user :

Antenna	Tx	Frequency (MHz)	Output Power		Separation distances (mm)						Calculated Threshold Value (SAR test exclusion power,mW)				
			dBm	mW	Back	Right	Left	Top	Bottom	Back	Right	Left	Top	Bottom	
Aux	WiFi	2462	19	79	6.95	262.53	8.68	32.56	106.17		<50mm	2220.9	<50mm	<50mm	657.3
Aux	WiFi	5240	14	25	6.95	262.53	8.68	32.56	106.17		<50mm	2190.8	<50mm	<50mm	627.2
Aux	WiFi	5320	14	25	6.95	262.53	8.68	32.56	106.17		<50mm	2190.3	<50mm	<50mm	626.7
Aux	WiFi	5700	14	25	6.95	262.53	8.68	32.56	106.17		<50mm	2188.1	<50mm	<50mm	624.5
Aux	WiFi	5825	14	25	6.95	262.53	8.68	32.56	106.17		<50mm	2187.5	<50mm	<50mm	623.9
Aux	BT	2480	11.5	14	6.95	262.53	8.68	32.56	106.17		<50mm	2220.6	<50mm	<50mm	657.0



1.4 Test Environment

Ambient conditions in the laboratory:

Test Date: 2024/2/19 - 2024/2/27

Items	Required	Actual
Temperature (°C)	18-25	23 ± 2
Humidity (%RH)	30-70	50 ± 20

USA	FCC Registration Number: TW0033
Canada	CAB Identifier Number: TW3023 / Company Number: 26930

Site Description	Accredited by TAF
	Accredited Number: 3023

Test Laboratory	DEKRA Testing and Certification Co., Ltd.
	Linkou Laboratory
Address	No.5-22, Ruishukeng Linkou District, New Taipei City, 24451, Taiwan, R.O.C
Performed Location	No. 26, Huaya 1st Rd., Guishan Dist., Taoyuan City 333411, Taiwan, R.O.C.
Phone Number	+886-3-275-7255
Fax Number	+886-3-327-8031

1.5 Measurement procedures

IEEE 1528-2013

47CFR § 2.1093

KDB 248227 D01 v02r02

KDB 447498 D01 v06

KDB 616217 D04 v01r02

KDB 865664 D01 v01r04

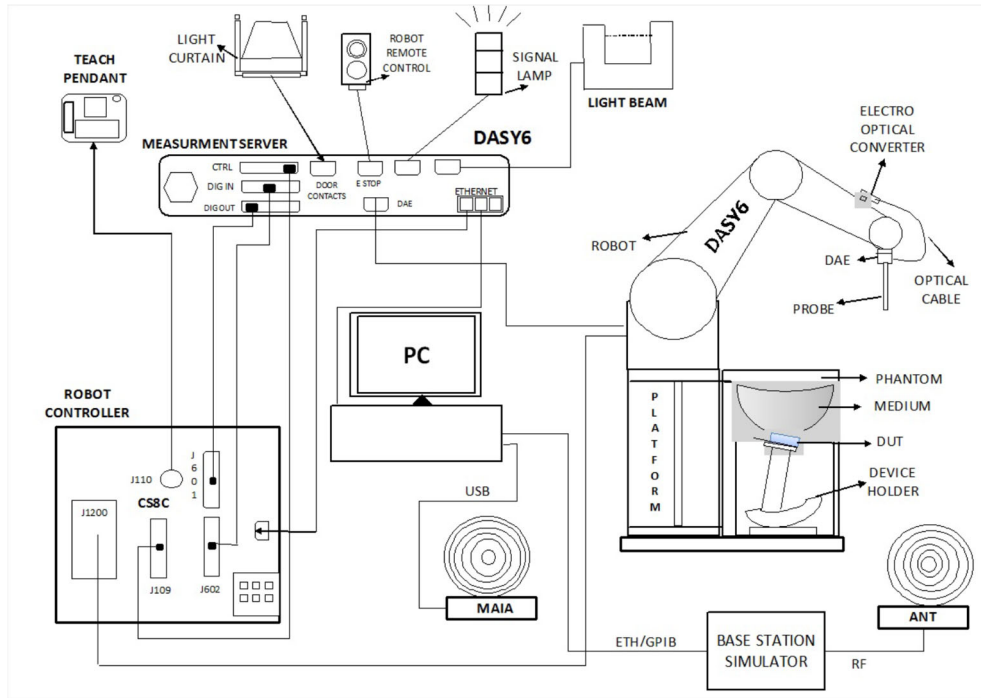
IEC TR 63170:2018

IEC/IEEE 62209-1528:2020

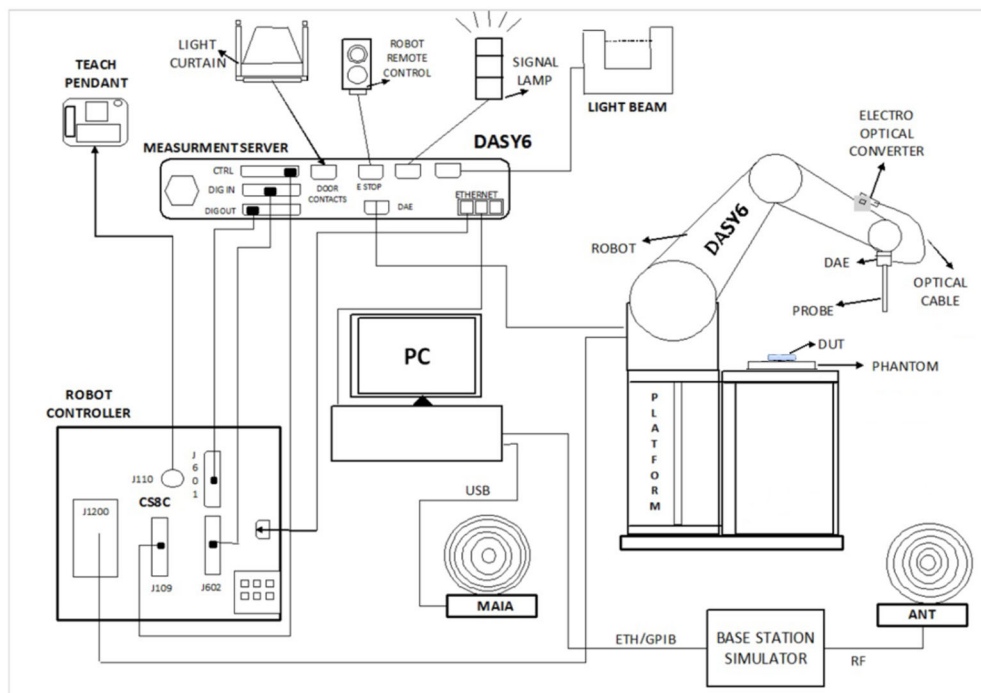
2. SAR Measurement System

2.1 DASY System Description

SAR Configurations is shown below:



Power Density Configurations is shown below:



The DASY system for performing compliance tests consists of the following items:

- A standard high precision 6-axis robot with controller, teach pendant and software. An arm extension for accommodating the data acquisition electronics (DAE).
- A data acquisition electronics (DAE) which performs the signal amplification, signal multiplexing, AD-conversion, offset measurements, mechanical surface detection, collision detection, etc. The unit is battery powered with standard or rechargeable batteries. The signal is optically transmitted to the EOC.
- The Electro-optical converter (EOC) performs the conversion from optical to electrical signals for the digital communication to the DAE. To use optical surface detection, a special version of the EOC is required. The EOC signal is transmitted to the measurement server.
- The Light Beam used is for probe alignment. This improves the (absolute) accuracy of the probe positioning.
- A computer running Win7/8/10 and the DASY software.
- Remote control and teach pendant as well as additional circuitry for robot safety such as warning lamps, etc.
- The phantom, the device holder and other accessories according to the targeted measurement.

2.2 Area Scans

Area scans are defined prior to the measurement process being executed with a user defined variable spacing between each measurement point (integral) allowing low uncertainty measurements to be conducted. Scans defined for utilize a 10mm² step integral, with 1mm interpolation used to locate the peak SAR area used for zoom scan assessments.

When an Area Scan has measured all reachable points, it computes the field maxima found in the scanned area, within a range of the global maximum. The range (in dB) is specified in the standards for compliance testing.

2.2.1 Zoom Scan (Cube Scan Averaging)

Zoom Scans are used to assess the peak spatial SAR values within a cubic averaging volume containing 1 g and 10 g of simulated tissue. A density of 1000 kg/m³ is used to represent the head and body tissue density and not the phantom liquid density, in order to be consistent with the definition of the liquid dielectric properties, i.e. the side length of the 1 g cube is 10mm, with the side length of the 10 g cube 21,5mm.

The zoom scan integer steps can be user defined so as to reduce uncertainty, but normal practice for typical test applications utilize a physical step of 5x5x7 (8mmx8mmx5mm) providing a volume of 32mm in the X & Y axis, and 30mm in the Z axis.

2.2.2 SAR measurement drifts

Before an area scan and after the zoom scan, single point SAR measurements are performed at defined locations to estimate the SAR measurement drift due to device output power variations. If a device is known to drift randomly, additional single point drift reference measurements should be performed at regular intervals throughout the area and zoom scan test durations. The SAR drift shall be kept within $\pm 5\%$, whether there are substantial drifts or not. The field difference will be calculated in dB units in the DASY software.

2.2.3 Uncertainty of Inter-/Extrapolation and Averaging


In order to evaluate the uncertainty of the interpolation, extrapolation and averaged SAR calculation algorithms of the Postprocessor, DASY allows the generation of measurement grids which are artificially predefined by analytically based test functions. Therefore, the grids of area scans and zoom scans can be filled with uncertainty test data, according to the SAR benchmark functions.

2.3 DASY E-Field Probe

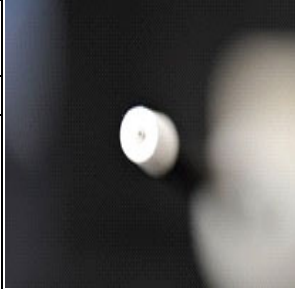
The SAR measurement is conducted with the dosimetric probe manufactured by SPEAG. The probe is specially designed and calibrated for use in liquid with high permittivity. The dosimetric probe has special calibration in liquid at different frequency.

SPEAG conducts the probe calibration in compliance with international and national standards under ISO 17025. The calibration data are in Appendix D.

Isotropic E-Field Probe Specification

Model	Ex3DV4	
Construction	Symmetrical design with triangular core Built-in shielding against static charges PEEK enclosure material (resistant to organic solvents, e.g., DGBE)	
Frequency	4 MHz – 10 GHz Linearity: ± 0.2 dB (30 MHz to 10 GHz)	
Directivity	± 0.1 dB in TSL (rotation around probe axis) ± 0.3 dB in TSL (rotation normal to probe axis)	
Dynamic Range	10 μ W/g to 100 mW/g Linearity: ± 0.2 dB (noise: typically < 1 μ W/g)	
Dimensions	Overall length: 337 mm (Tip: 20 mm) Tip diameter: 2.5 mm (Body: 12 mm) Typical distance from probe tip to dipole centers: 1 mm	
Application	High precision dosimetric measurements in any exposure scenario (e.g., very strong gradient fields). Only probe which enables compliance testing for frequencies up to 6 GHz with precision of better 30%.	

E-Field mm-Wave Probe Specification

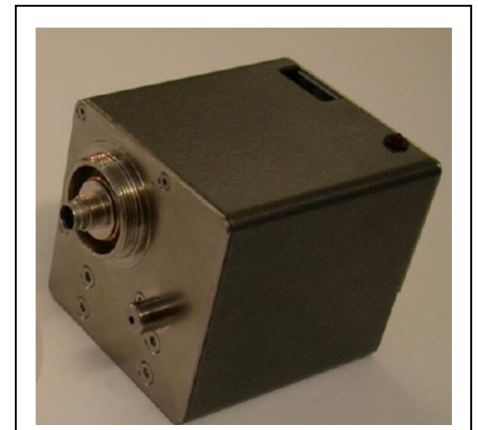
Model	EUmmWVx	
Construction	Two dipoles optimally arranged to obtain pseudo-vector information Minimum three measurements/point, 120° rotated around probe axis Sensors (0.8 mm length) printed on glass substrate protected by high density foam	
Frequency	750 MHz to 110 GHz	
Dynamic Range	< 20 V/m to 10000 V/m with PRE-10 (min < 20 V/m to 2000 V/m)	
Position Precision	< 0.2 mm	
Dimensions	Overall length: 337 mm (tip: 20 mm) Tip diameter: encapsulation 8 mm (internal sensor < 1mm) Distance from probe tip to dipole centers: < 2 mm Sensor displacement to probe's calibration point: < 0.3 mm	
Application	E-field measurements of 5G devices and other mm-wave transmitters operating above 10GHz in < 2 mm distance from device (free-space) Power density, H-field, and far-field analysis using total field reconstruction	

2.4 DATA Acquisition Electronics (DAE) and Measurement Server

The data acquisition electronics (DAE) consists of a highly sensitive electrometer-grade preamplifier with auto-zeroing, a channel and gain-switching multiplexer, a fast 16-bit AD-converter and a command decoder and control logic unit.

Transmission to the measurement server is accomplished through an optical downlink for data and status information as well as an optical uplink for commands and the clock.

The input impedance of the DAE4 is 200M Ohm; the inputs are symmetrical and floating. Common mode rejection is above 80dB.



2.5 Robot

The DASY system uses the high precision robots TX90 XL type out of the newer series from Stäubli SA (France). For the 6-axis controller DASY system, the CS8C robot controller version from Stäubli is used.

The XL robot series have many features that are important for our application:

- High precision (repeatability 0.02 mm)
- High reliability (industrial design)
- Jerk-free straight movements
- Low ELF interference (the closed metallic construction shields against motor control fields)
- 6-axis controller

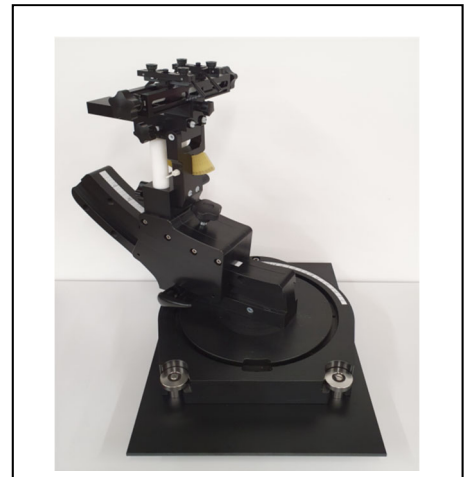


2.6 Device Holder

The DASY device holder is designed to cope with different positions given in the standard. It has two scales for the device rotation (with respect to the body axis) and the device inclination (with respect to the line between the ear reference points). The rotation center for both scales is the ear reference point (EPR).

Thus the device needs no repositioning when changing the angles.

The DASY device holder has been made out of low-loss POM material having the following dielectric parameters: relative permittivity $\epsilon_r = 3$ and loss tangent $\delta = 0.02$. The amount of dielectric material has been reduced in the closest vicinity of the device, since measurements have suggested that the influence of the clamp on the test results could thus be lowered.



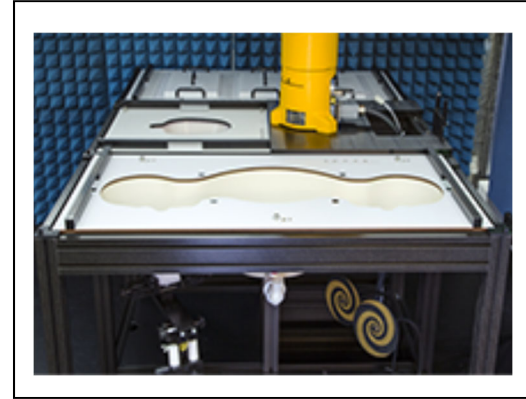
2.7 Phantom

2.7.1 SAM Twin Phantom

The SAM twin phantom is a fiberglass shell phantom with 2mm shell thickness (except the ear region where shell thickness increases to 6mm).

It has three measurement areas:

- Left head
- Right head
- Flat phantom



The device holder positions are adjusted to the standard measurement positions in the three sections. A cover is provided to tap the phantom during off-periods to prevent water evaporation and changes in the liquid parameters. On the phantom top, three reference markers are provided to identify the phantom position with respect to the robot.

2.7.2 mmWave Phantom

The mmWave Phantom approximates free-space conditions, allowing to evaluate not only the antenna side of the device but also the front (screen) side or any opposite-radiating side of wireless devices operating above 10 GHz without distorting the RF field. It consists of a 40 mm thick Rohacell plate used as a test bed, which has a loss tangent ($\tan \delta$) ≤ 0.05 and a relative permittivity (ϵ_r) ≤ 1.2 . High-performance RF absorbers are placed below the foam.



3. Tissue Simulating Liquid

3.1 The composition of the tissue simulating liquid

Description: Aqueous solution with surfactants and inhibitors

Declarable, or hazardous components:

CAS: 107-21-1 EINECS: 203-473-3 Reg.nr.: 01-2119456816-28-0000	Ethenediol STOT RE 2, H373; Acute Tox. 4, H302	< 5.2%
CAS: 68608-26-4 EINECS: 271-781-5 Reg.nr.: 01-2119527859-22-0000	Sodium petroleum sulfonate Eye Irrit. 2, H319	< 2.9%
CAS: 107-41-5 EINECS: 203-489-0 Reg.nr.: 01-2119539582-35-0000	Hexylene Glycol / 2-Methyl-pentane-2,4-diol Skin Irrit. 2, H315; Eye Irrit. 2, H319	< 2.9%
CAS: 68920-66-1 NLP: 500-236-9 Reg.nr.: 01-2119489407-26-0000	Alkoxylated alcohol, > C₁₆ Aquatic Chronic 2, H411; Skin Irrit. 2, H315; Eye Irrit. 2, H319	< 2.0%

3.2 Tissue Calibration Result

The dielectric parameters of the liquids were verified prior to the SAR evaluation using Dielectric Probe Kit and Vector Network Analyzer.

Date	Tissue Type	Frequency (MHz)	Relative Permittivity (ϵ_r)			Conductivity (σ)			Tissue Temp. (°C)
			Measured	Target	Delta (%)	Measured	Target	Delta (%)	
2024/2/19	Head	2450	39.21	39.20	0.03	1.78	1.80	-1.11	22.1
		2412	39.36	39.28	0.20	1.74	1.77	-1.69	
		2437	39.26	39.23	0.08	1.77	1.79	-1.12	
		2441	39.24	39.22	0.05	1.77	1.79	-1.12	
		2462	39.17	39.18	-0.03	1.81	1.81	0.00	
2024/2/27	Head	5250	36.43	35.95	1.34	4.78	4.71	1.49	21.8
		5210	36.54	35.99	1.53	4.73	4.67	1.28	
		5290	36.32	35.91	1.14	4.84	4.75	1.89	
		5600	35.46	35.50	-0.11	5.26	5.07	3.75	
		5530	35.65	35.61	0.11	5.16	5.00	3.20	
		5610	35.43	35.49	-0.17	5.27	5.08	3.74	
		5690	35.22	35.41	-0.54	5.37	5.16	4.07	
		5750	35.05	35.35	-0.85	5.45	5.22	4.41	
		5775	34.98	35.33	-0.99	5.48	5.25	4.38	
		5850	34.77	35.25	-1.36	5.58	5.32	4.89	
5855	34.76	35.25	-1.39	5.59	5.33	4.88			

Date	Tissue Type	Frequency (MHz)	Relative Permittivity (ϵ_r)			Conductivity (σ)			Tissue Temp. (°C)
			Measured	Target	Delta (%)	Measured	Target	Delta (%)	
2024/2/20	Head	6500	34.32	34.50	-0.52	6.03	6.07	-0.66	22.2
		6025	34.87	35.07	-0.57	5.48	5.51	-0.54	
		6185	34.72	34.88	-0.45	5.67	5.70	-0.53	
		6505	34.36	34.49	-0.39	6.06	6.08	-0.33	
		6825	33.94	34.11	-0.50	6.42	6.45	-0.47	
		6985	33.82	33.92	-0.29	6.61	6.63	-0.30	

3.3 Tissue Dielectric Parameters for Phantoms

The head tissue dielectric parameters recommended by the IEC/IEEE 62209-1528 have been incorporated in the following table. These head parameters are derived from planar layer models simulating the highest expected SAR for the dielectric properties and tissue thickness variations in a human head. Other head tissue parameters that have not been specified are interpolated according to the head parameters specified in IEC/IEEE 62209-1528.

Target Frequency (MHz)	Head	
	ϵ_r	σ (S/m)
450	43.5	0.87
750	41.9	0.89
835	41.5	0.90
900	41.5	0.97
1450	40.5	1.20
1640	40.2	1.31
1750	40.1	1.37
1800 – 2000	40.0	1.40
2450	39.2	1.80
3000	38.5	2.40
5000	36.2	4.45
5200	36.0	4.66
5400	35.8	4.86
5600	35.5	5.07
5800	35.3	5.27
6000	35.1	5.48
6500	34.5	6.07
7000	33.9	6.65
7500	33.3	7.24

4. Measurement Procedure

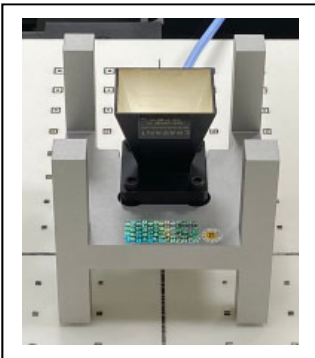
4.1 SAR System Check

4.1.1 Dipoles



The SAR dipoles are optimized symmetrical dipole with $\lambda/4$ balun matched to a Flat phantom section filled with tissue simulating liquids. The center conductor of the feeding line is directly connected to the second arm of the dipole. The antenna is therefore short-circuited for DC signals. They are available for the variety of frequencies between 300MHz and 10 GHz. The provided tripod is used to hold the dipole below the phantom. As the distance between the dipole center and the TSL is critical, a spacer is placed between the dipole and the phantom. The spacing distance is frequency dependent.

4.1.2 Verification Source



The verification sources apply to system check or verification at specific mmWave frequencies. The sources comprise horn-antennas and very stable signal generators.

4.1.3 SAR System Check Result

1. Comparing to the original SAR value provided by SPEAG, the verification data should be within its specification of 10 %.
2. Below table shows the target SAR and measured SAR after normalized to 1W input power. The table below indicates the system performance check can meet the variation criterion and the plots can be referred to Appendix A of this report.

Date	Frequency (MHz)	Input Power (mW)	Measured 1g SAR (W/kg)	Targeted 1g SAR (W/kg)	Normalized 1g SAR (W/kg)	Delta 1g (%)	Measured 10g SAR (W/kg)	Targeted 10g SAR (W/kg)	Normalized 10g SAR (W/kg)	Delta 10g (%)	Tissue Temp. (°C)
2024/2/19	2450	250	13.50	52.40	54	3.05	6.15	24.60	24.6	0.00	22.1
2024/2/27	5250	100	8.38	79.00	83.8	6.08	2.41	22.70	24.1	6.17	21.8
	5600	100	8.46	81.60	84.6	3.68	2.38	23.30	23.8	2.15	
	5750	100	8.14	78.40	81.4	3.83	2.32	22.40	23.2	3.57	
	5850	100	7.34	79.40	73.4	-7.56	2.09	22.60	20.9	-7.52	
2024/2/20	6500	100	28.00	293.00	280	-4.44	5.24	54.20	52.4	-3.32	22.2

4.1.4 Power Density System Check Result

The system performance check verifies that the system operates within its specifications.

The system check is successful if the difference between the normalized measured local power density and the numerically validated target value is within the reported expanded uncertainty of the measurement system.

The recommended settings for measurement of verification sources are listed in the following:

Frequency (GHz)	Grid step	Grid extent X/Y (mm)	Measurement points
10	0.125 ($\lambda/8$)	60 / 60	18 x 18

According to the DASY specification in the user's manual and SPEAG's recommendation, the deviation threshold of ± 0.66 dB represents the expanded standard uncertainty for system performance check. The system check is successful if the measured results are within ± 0.66 dB tolerances to the target value shown in the calibration certificate of the verification source.

Date	Frequency (GHz)	Distance (mm)	Input Power (mW)	Measured Avg PD 4 cm ² (W/m ²)	Targeted Avg PD 4 cm ² (W/m ²)	Deviation (dB)
2024/2/15	10	10	132	173.0	172.00	0.03

Note: The Measured Avg PD was the average of psPDn+, psPDtot+ and psPDmod+, which refers to the demonstration from calibration certificate.

4.2 SAR Measurement Procedure

The Dasy calculates SAR using the following equation,

$$\text{SAR} = \frac{\sigma |E|^2}{\rho}$$

Where :

σ : represents the simulated tissue conductivity

ρ : represents the tissue density

E :RMS electric field strength (V/m)

The SAR / APD measurements for the EUT should be performed on the channel that produces the highest rated output power of each transmitting antenna.

Pre-scans are made on the device to establish the location for the transmitting antenna, using a large area scan in either air or tissue simulation fluid.

The EUT is placed against the Universal Phantom where the maximum area scan dimensions are larger than the physical size of the resonating antenna. When the scan size is not large enough to cover the peak SAR / APD distribution, it is modified by either extending the area scan size in both the X and Y directions, or the device is shifted within the predefined area.

The area scan is then run to establish the peak SAR / APD location (interpolated resolution set at 1mm²) which is then used to orient the center of the zoom scan. The zoom scan is then executed and the 1g and 10g averages are derived from the zoom scan volume (interpolated resolution set at 1mm³).

4.3 Absorbed Power Density (APD)

Absorbed Power Density (APD) is defined as the energy flow per unit area directly under the body surface that based on Poynting vector. The equation description is as below:

$$S_{ab} = \iint_A \operatorname{Re}[S] \cdot \frac{ds}{A} = \iint_A \operatorname{Re}[E \times H^*] \cdot \frac{ds}{A}$$

Where:

E = electric field strength (V/m)

H = magnetic field strength (A/m)

S = power density (W/m² or mW/cm²)

APD is expressed in units of Watts per square meter or units of milliwatt per square centimeter.

4.4 Power Density Measurement Procedure

The power density for an electromagnetic field represents the rate of energy transfer per unit area. The local power density (i.e. Poynting vector) at a given spatial point is deduced from electromagnetic fields by the following formula:

$$S = \frac{1}{2} \operatorname{Re}[E \times H^*] \cdot \vec{n}$$

Where: E is the complex electric field peak phasor and H is the complex conjugate magnetic field peak phasor.

The spatial-average power density distribution on the evaluation surface is determined per the IEC TR 63170. The spatial area, A is specified by the applicable exposure limit or regulatory requirements. The circular shape was used.

$$S_{av} = \frac{1}{2A} \Re(\int E \times H \cdot \hat{n} dA)$$

5. RF Exposure Limits

SAR assessments have been made in line with the requirements of IEEE-1528, RSS-102 Issue 5, and comply with ANSI/IEEE C95.1-1992 “Uncontrolled Environments” limits. These limits apply to a location which is deemed as “Uncontrolled Environment” which can be described as a situation where the general public may be exposed to an RF source with no prior knowledge or control over their exposure.

Limits for General Population/Uncontrolled Exposure (W/kg)

Type Exposure	Uncontrolled Environment Limit
Spatial Peak SAR (1g cube tissue for brain or body)	1.60 W/kg
Spatial Average SAR (whole body)	0.08 W/kg
Spatial Peak SAR (10g for hands, feet, ankles and wrist)	4.00 W/kg
Power density ¹	1 mW/cm²

Note: 1 mW/cm² = 10 W/m²

6. Test Equipment List

Instrument	Manufacturer	Model No.	Serial No.	Last Calibration	Next Calibration
Reference Dipole 2450MHz	Speag	D2450V2	930	2022/11/21	2025/11/20
Reference Dipole 5GHz	Speag	D5GHzV2	1203	2023/12/14	2026/12/13
Reference Dipole 6.5GHz	Speag	D6.5GHzV2	1029	2023/06/20	2026/06/19
Verification Source Antenna 10GHz	Speag	5G Verification Source 10GHz	2006	2023/04/25	2024/04/24
Device Holder	Speag	N/A	N/A	N/A	N/A
Data Acquisition Electronic	Speag	DAE4	1207	2023/11/22	2024/11/21
Data Acquisition Electronic	Speag	DAE3	360	2023/12/11	2024/12/10
Data Acquisition Electronic	Speag	DAE4	916	2023/11/29	2024/11/28
E-Field Probe	Speag	EX3DV4	3698	2023/11/21	2024/11/20
E-Field Probe	Speag	EX3DV4	7728	2023/11/22	2024/11/21
mmWave E-field Probe	Speag	EUmmWV4	9546	2023/04/18	2024/04/17
SAR Software	Speag	DASY52	V52.10.4.1535	N/A	N/A
SAR Software	Speag	DASY8	V16.2.4.2524	N/A	N/A
Power Amplifier	Mini-Circuit	ZHL-42	D051404-20	N/A	N/A
Power Amplifier	Mini-Circuit	ZVE-8G+	447202211	N/A	N/A
Directional Coupler	Agilent	87300C	MY44300353	N/A	N/A ¹
Attenuator	Woken	WATT-218FS-10	N/A	N/A	N/A ¹
Attenuator	Mini-Circuit	BW-S20W2+	N/A	N/A	N/A ¹
Vector Network Analyzer	Agilent	E5071C	MY46108013	2023/03/09	2024/03/08
Signal Generator	Anritsu	MG3694A	041902	2023/09/07	2024/09/06
Power Meter	Anritsu	ML2487A	6K00001447	2023/11/06	2024/11/05
Power Sensor	Anritsu	MA2411B	1339194	2023/11/06	2024/11/05

Note: 1. System Check, the path loss measured by the network analyzer, includes the signal generator, amplifier, cable, attenuator and directional coupler.

Note:

Per KDB 865664 D01 requirements for dipole calibration, the following are recommended FCC procedures for SAR dipole calibration.

1. After a dipole is damaged and properly repaired to meet required specifications.
2. When the measured SAR deviates from the calibrated SAR value by more than 10% due to changes in physical, mechanical, electrical or other relevant dipole conditions.
3. When the most recent return-loss, measured at least annually, deviates by more than 20% from the previous measurement (i.e. 0.2 of the dB value) or not meeting the required -20 dB return-loss specification.

D2450V2-930

	Frequency	Tissue	Return loss	Limit	Verified Date
Calibration	2450 MHz	Head	-26.8	Within 20%	2022/11/21
Measurement	2450 MHz	Head	-26.79		2023/11/16

4. When the most recent measurement of the real or imaginary parts of the impedance, measured at least annually, deviates by more than 5 Ω from the previous measurement.

D2450V2-930

	Frequency	Tissue	Impedance	Limit	Verified Date
Calibration	2450 MHz	Head	53.7	Within 5Ω	2022/11/21
Measurement	2450 MHz	Head	53.82		2023/11/16

7. Measurement Uncertainty

Measurement uncertainty for 300 MHz to 3 GHz							
Error Description	Uncert. value	Prob. Dist.	Div.	(ci) 1g	(ci) 10g	Std. Unc. (1g)	Std. Unc. (10g)
Measurement System Errors							
Probe Calibration	±12.0%	N	2	1	1	±6.0%	±6.0%
Probe Calibration Drift	±1.7%	R	1.732	1	1	±1.0%	±1.0%
Probe Linearity	±4.7%	R	1.732	1	1	±2.7%	±2.7%
Broadband Signal	±2.8%	R	1.732	1	1	±1.6%	±1.6%
Probe Isotropy	±7.6%	R	1.732	1	1	±4.4%	±4.4%
Other Probe+Electronic	±0.8%	N	1	1	1	±0.8%	±0.8%
RF Ambient	±1.8%	N	1	1	1	±1.8%	±1.8%
Probe Positioning	±0.006 mm	N	1	0.14	0.14	±0.1%	±0.1%
Data Processing	±1.2%	N	1	1	1	±1.2%	±1.2%
Phantom and Device Errors							
Conductivity (meas.)	±2.5%	N	1	0.78	0.71	±2.0%	±1.8%
Conductivity (temp.)	±3.3%	R	1.732	0.78	0.71	±1.5%	±1.4%
Phantom Permittivity	±14.0%	R	1.732	0	0	±0.0%	±0.0%
Distance DUT - TSL	±2.0%	N	1	2	2	±4.0%	±4.0%
Device Positioning	±1.0%	N	1	1	1	±1.0%	±1.0%
Device Holder	±3.6%	N	1	1	1	±3.6%	±3.6%
DUT Modulation	±2.4%	R	1.732	1	1	±1.4%	±1.4%
Time-average SAR	±1.7%	R	1.732	1	1	±1.0%	±1.0%
DUT drift	±2.5%	N	1	1	1	±2.5%	±2.5%
Val Antenna Unc.	±0.0%	N	1	1	1	±0.0%	±0.0%
Unc. Input Power	±0.0%	N	1	1	1	±0.0%	±0.0%
Correction to the SAR results							
Deviation to Target	±1.9%	N	1	1	0.84	±1.9%	±1.6%
SAR scaling	±0.0%	R	1.732	1	1	±0.0%	±0.0%
Combined Uncertainty						±11.0%	±10.9%
Expanded Uncertainty						±21.9%	±21.7%

Measurement uncertainty for 3 GHz to 6 GHz							
Error Description	Uncert. value	Prob. Dist.	Div.	(ci) 1g	(ci) 10g	Std. Unc. (1g)	Std. Unc. (10g)
Measurement System Errors							
Probe Calibration	±14.0%	N	2	1	1	±7.0%	±7.0%
Probe Calibration Drift	±1.7%	R	1.732	1	1	±1.0%	±1.0%
Probe Linearity	±4.7%	R	1.732	1	1	±2.7%	±2.7%
Broadband Signal	±2.6%	R	1.732	1	1	±1.5%	±1.5%
Probe Isotropy	±7.6%	R	1.732	1	1	±4.4%	±4.4%
Other Probe+Electronic	±1.2%	N	1	1	1	±1.2%	±1.2%
RF Ambient	±1.8%	N	1	1	1	±1.8%	±1.8%
Probe Positioning	±0.005 mm	N	1	0.29	0.29	±0.2%	±0.2%
Data Processing	±2.3%	N	1	1	1	±2.3%	±2.3%
Phantom and Device Errors							
Conductivity (meas.)	±2.5%	N	1	0.78	0.71	±2.0%	±1.8%
Conductivity (temp.)	±3.4%	R	1.732	0.78	0.71	±1.5%	±1.4%
Phantom Permittivity	±14.0%	R	1.732	0.25	0.25	±2.0%	±2.0%
Distance DUT - TSL	±2.0%	N	1	2	2	±4.0%	±4.0%
Device Positioning	±1.0%	N	1	1	1	±1.0%	±1.0%
Device Holder	±3.6%	N	1	1	1	±3.6%	±3.6%
DUT Modulation	±2.4%	R	1.732	1	1	±1.4%	±1.4%
Time-average SAR	±1.7%	R	1.732	1	1	±1.0%	±1.0%
DUT drift	±2.5%	N	1	1	1	±2.5%	±2.5%
Val Antenna Unc.	±0.0%	N	1	1	1	±0.0%	±0.0%
Unc. Input Power	±0.0%	N	1	1	1	±0.0%	±0.0%
Correction to the SAR results							
Deviation to Target	±1.9%	N	1	1	0.84	±1.9%	±1.6%
SAR scaling	±0.0%	R	1.732	1	1	±0.0%	±0.0%
Combined Uncertainty						±11.9%	±11.8%
Expanded Uncertainty						±23.8%	±23.6%

Measurement uncertainty for 6 GHz to 10 GHz							
Error Description	Uncert. value	Prob. Dist.	Div.	(ci) 1g	(ci) 10g	Std. Unc. (1g)	Std. Unc. (10g)
Measurement System Errors							
Probe Calibration	±18.6%	N	2	1	1	±9.3%	±9.3%
Probe Calibration Drift	±1.7%	R	1.732	1	1	±1.0%	±1.0%
Probe Linearity	±4.7%	R	1.732	1	1	±2.7%	±2.7%
Broadband Signal	±2.6%	R	1.732	1	1	±1.5%	±1.5%
Probe Isotropy	±7.6%	R	1.732	1	1	±4.4%	±4.4%
Other Probe+Electronic	±2.4%	N	1	1	1	±2.4%	±2.4%
RF Ambient	±1.8%	N	1	1	1	±1.8%	±1.8%
Probe Positioning	±0.005 mm	N	1	0.5	0.5	±0.3%	±0.3%
Data Processing	±3.5%	N	1	1	1	±3.5%	±3.5%
Phantom and Device Errors							
Conductivity (meas.)	±2.5%	N	1	0.78	0.71	±2.0%	±1.8%
Conductivity (temp.)	±2.4%	R	1.732	0.78	0.71	±1.1%	±1.0%
Phantom Permittivity	±14.0%	R	1.732	0.5	0.5	±4.0%	±4.0%
Distance DUT - TSL	±2.0%	N	1	2	2	±4.0%	±4.0%
Device Positioning	±1.0%	N	1	1	1	±1.0%	±1.0%
Device Holder	±3.6%	N	1	1	1	±3.6%	±3.6%
DUT Modulation	±2.4%	R	1.732	1	1	±1.4%	±1.4%
Time-average SAR	±1.7%	R	1.732	1	1	±1.0%	±1.0%
DUT drift	±2.5%	N	1	1	1	±2.5%	±2.5%
Val Antenna Unc.	±0.0%	N	1	1	1	±0.0%	±0.0%
Unc. Input Power	±0.0%	N	1	1	1	±0.0%	±0.0%
Correction to the SAR results							
Deviation to Target	±1.9%	N	1	1	0.84	±1.9%	±1.6%
SAR scaling	±0.0%	R	1.732	1	1	±0.0%	±0.0%
Combined Uncertainty						±14.2%	±14.1%
Expanded Uncertainty						±28.4%	±28.3%

APD Measurement uncertainty for 6 GHz to 10 GHz

Error Description	Uncert. value	Prob. Dist.	Div.	(Ci) 1 cm ²	(Ci) 4 cm ²	Std. Unc. (1 cm ²)	Std. Unc. (4 cm ²)
SAR MU	±14.2/13.9%	N	1	1	1	±14.2%	±13.9%
Power Density Conversion	±13.5%	R	√3	1	1	±7.8%	±7.8%

Combined Uncertainty						±16.2%	±15.9%
Expanded Uncertainty in dB						±32.4% ±1.2 dB	±31.9% ±1.2 dB

Measurement uncertainty for Power Density						
Error Description	Uncert. Value (\pm dB)	Prob. Dist.	Div.	(ci)	Std. Unc. (\pm dB)	(vi) v_{eff}
Uncertainty terms dependent on the measurement system						
Calibration	0.49	N	1	1	0.49	∞
Probe correction	0	R	1.732	1	0	∞
Frequency response (BW \leq 1 GHz)	0.2	R	1.732	1	0.12	∞
Sensor cross coupling	0	R	1.732	1	0	∞
Isotropy	0.5	R	1.732	1	0.29	∞
Linearity	0.2	R	1.732	1	0.12	∞
Probe scattering	0	R	1.732	1	0	∞
Probe positioning offset	0.3	R	1.732	1	0.17	∞
Probe positioning repeatability	0.04	R	1.732	1	0.02	∞
Sensor mechanical offset	0	R	1.732	1	0	∞
Probe spatial resolution	0	R	1.732	1	0	∞
Field impedance dependance	0	R	1.732	1	0	∞
Amplitude and phase drift	0	R	1.732	1	0	∞
Amplitude and phase noise	0.04	R	1.732	1	0.02	∞
Measurement area truncation	0	R	1.732	1	0	∞
Data acquisition	0.03	N	1	1	0.03	∞
Sampling	0	R	1.732	1	0	∞
Field reconstruction	0.6	R	1.732	1	0.35	∞
FTE/MEO	0	R	1.732	1	0	∞
Power density scaling	0	R	1.732	1	0	∞
Spatial averaging	0.1	R	1.732	1	0.06	∞
System detection limit	0.04	R	1.732	1	0.02	∞
Uncertainty terms dependent on the DUT and environmental factors						
Probe coupling with DUT	0	R	1.732	1	0	∞
Modulation response	0.4	R	1.732	1	0.23	∞
Integration time	0	R	1.732	1	0	∞
Response time	0	R	1.732	1	0	∞
Device holder influence	0.1	R	1.732	1	0.06	∞
DUT alignment	0	R	1.732	1	0	∞
RF ambient conditions	0.04	R	1.732	1	0.02	∞
Ambient reflections	0.04	R	1.732	1	0.02	∞
Immunity / secondary reception	0	R	1.732	1	0	∞
Drift of the DUT	0.21	R	1.732	1	0.12	∞
Combined Standard Uncertainty					0.76	∞
Expanded Standard Uncertainty (95%)					1.52	

8. Conducted Power Measurement (Including tolerance allowed for production unit)

WLAN 2.4G 2TX SISO									
	Frequency	Mode	BW	SISO-Main(TX1) Chain B			SISO-Aux(TX2) Chain A		
				CH	AV Power	AV Target	CH	AV Power	AV Target
DSSS/OFDM mode specified maximum output power at an antenna port	WLAN 2.4GHz	b	20	1	18.48	19	1	18.51	19
				6	18.52	19	6	18.58	19
				11	18.45	19	11	18.55	19
				12	18.36	19	12	18.44	19
				13	15.97	16	13	16.22	16.5
		g	20	1	18.17	19	1	18.03	19
				6	18.22	19	6	18.13	19
				11	18.18	18.5	11	18.05	18.75
				12	14.35	14.5	12	14.88	15
				13	12.87	13	13	13.36	14.5
		n (HT)	20	1	17.79	19	1	17.85	19
				6	18.11	19	6	18.24	19
				11	18.09	18.5	11	18.07	18.75
				12	14.26	14.5	12	14.83	15
				13	12.46	12.5	13	13.36	14.5
			40	3	17.24	18.25	3	16.86	18.25
				6	16.82	17.5	6	17.51	18
				9	16.84	17	9	16.88	17
				10	12.98	13	10	13.45	13.5
				11	11.73	12	11	12.28	12.5
		ax (HE)	20	1	18.03	19	1	18.03	19
				6	18.02	19	6	18.12	19
				11	18.05	18.5	11	17.65	18.75
				12	14.85	15	12	14.73	15
				13	12.87	13.5	13	13.34	14.5
			40	3	18.05	18.5	3	18.08	18.5
				6	16.86	17.5	6	17.41	18
				9	16.26	17	9	16.45	16.5
10	12.24			12.5	10	13.41	13.5		
11	8.36			9	11	9.26	9.5		

WLAN 5G 2TX SISO									
	Frequency	Mode	BW	SISO-Main(TX1) Chain B			SISO-Aux(TX2) Chain A		
				CH	AV Power	AV Target	CH	AV Power	AV Target
				OFDM mode specified maximum output power at an antenna port					
U-NII-1 (5150~5250MHz)	a	20	36	13.64	14	36	13.57	14	
			40	13.66	14	40	13.65	14	
			44	13.74	14	44	13.68	14	
			48	13.69	14	48	13.69	14	
	n (HT)	20	36	13.68	14	36	13.69	14	
			40	13.74	14	40	13.71	14	
			44	13.66	14	44	13.69	14	
			48	13.69	14	48	13.64	14	
	40	38	13.72	14	38	13.68	14		
		46	13.74	14	46	13.61	14		
	ac(VHT)	80	42	13.85	14	42	13.84	14	
	ax (HE)	20	36	13.72	14	36	13.64	14	
			40	13.69	14	40	13.67	14	
			44	13.73	14	44	13.63	14	
			48	13.65	14	48	13.65	14	
		40	38	13.72	14	38	13.61	14	
			46	13.66	14	46	13.68	14	
		80	42	13.66	14	42	13.68	14	
		U-NII-2A (5250~5350MHz)	a	20	52	13.75	14	52	13.73
	56				13.67	14	56	13.61	14
	60				13.64	14	60	13.64	14
	64				13.68	14	64	13.68	14
	n (HT)		20	52	13.63	14	52	13.75	14
				56	13.64	14	56	13.66	14
60				13.67	14	60	13.67	14	
64				13.61	14	64	13.62	14	
40	54		13.75	14	54	13.73	14		
	62		13.66	14	62	13.69	14		
ac (VHT)	80		58	13.91	14	58	13.92	14	
	160		50	13.68	14	50	13.66	14	
ax (HE)	20		52	13.74	14	52	13.73	14	
			56	13.72	14	56	13.61	14	
			60	13.67	14	60	13.65	14	
			64	13.68	14	64	13.66	14	
	40		54	13.75	14	54	13.74	14	
			62	13.61	14	62	13.68	14	
	80		58	13.71	14	58	13.69	14	
	160		50	13.68	14.00	50	13.65	14	

	Frequency	Mode	BW	SISO-Main(TX1)			SISO-Aux(TX2)		
				Chain B			Chain A		
				CH	AV Power	AV Target	CH	AV Power	AV Target
OFDM mode specified maximum output power at an antenna port	U-NII-2C (5470~5725MHz)	a	20	100	13.71	14	100	13.72	14
				116	13.73	14	116	13.61	14
				124	13.72	14	124	13.65	14
				132	13.75	14	132	13.69	14
				140	13.71	14	140	13.62	14
				144	13.73	14	144	13.71	14
		n (HT)	20	100	13.75	14	100	13.70	14
				116	13.71	14	116	13.64	14
				124	13.68	14	124	13.72	14
				132	13.64	14	132	13.68	14
				140	13.71	14	140	13.63	14
				144	13.71	14	144	13.71	14
			40	102	13.73	14	102	13.72	14
				110	13.72	14	110	13.65	14
				126	13.62	14	126	13.67	14
				134	13.74	14	134	13.68	14
		ac (VHT)	80	106	13.90	14	106	13.87	14
				122	13.86	14	122	13.81	14
			160	138	13.81	14	138	13.79	14
				114	13.69	14	114	13.67	14
		ax (HE)	20	100	13.73	14	100	13.72	14
				116	13.67	14	116	13.65	14
				124	13.71	14	124	13.61	14
				132	13.72	14	132	13.69	14
				140	13.73	14	140	13.64	14
				144	13.67	14	144	13.62	14
			40	102	13.71	14	102	13.67	14
				110	13.72	14	110	13.71	14
				126	13.68	14	126	13.67	14
				134	13.65	14	134	13.65	14
			80	142	13.74	14	142	13.72	14
				106	13.68	14	106	13.66	14
			160	122	13.66	14	122	13.65	14
				138	13.60	14	138	13.64	14
			114	13.63	14	114	13.68	14	

	Frequency	Mode	BW	SISO-Main(TX1)			SISO-Aux(TX2)		
				Chain B			Chain A		
				CH	AV Power	AV Target	CH	AV Power	AV Target
OFDM mode specified maximum output power at an antenna port	U-NII-3 (5725~5850MHz)	a	20	149	13.67	14	149	13.67	14
				157	13.74	14	157	13.72	14
				165	13.69	14	165	13.62	14
		n (HT)	20	149	13.70	14	149	13.64	14
				157	13.62	14	157	13.67	14
				165	13.74	14	165	13.71	14
			40	151	13.71	14	151	13.63	14
				159	13.73	14	159	13.69	14
				165	13.74	14	165	13.71	14
		ac(VHT)	80	155	13.79	14	155	13.85	14
		ax (HE)	20	149	13.72	14	149	13.67	14
				157	13.74	14	157	13.61	14
				165	13.75	14	165	13.67	14
			40	151	13.69	14	151	13.65	14
				159	13.70	14	159	13.63	14
				165	13.70	14	165	13.63	14
		80	155	13.70	14	155	13.62	14	
		U-NII-4 (5850~5925MHz)	a	20	169	13.72	14	169	13.68
	173				13.69	14	173	13.69	14
	177				13.71	14	177	13.65	14
	n (HT)		20	169	13.72	14	169	13.68	14
				173	13.64	14	173	13.72	14
				177	13.66	14	177	13.71	14
			40	167	13.71	14	167	13.65	14
175				13.72	14	175	13.71	14	
177				13.66	14	177	13.71	14	
ac(VHT)	80		171	13.83	14	171	13.83	14	
	160		163	13.63	14	163	13.61	14	
ax (HE)	20		169	13.73	14	169	13.65	14	
			173	13.69	14	173	13.63	14	
			177	13.68	14	177	13.71	14	
	40		167	13.59	14	167	13.61	14	
			175	13.67	14	175	13.66	14	
	80	171	13.64	14	171	13.66	14		
	160	163	13.61	14	163	13.62	14		

WLAN 6G 2TX SISO										
OFDM mode specified maximum output power at an antenna port	Frequency	Mode	BW	SISO-Main(TX1)			SISO-Aux(TX2)			
				Chain B			Chain A			
				CH	AV Power	AV Target	CH	AV Power	AV Target	
U-NII-5 (5925~6425MHz)	ax (HE)	20	1	4.32	5	1	4.37	5		
			45	4.25	5	45	4.3	5		
			93	4.18	5	93	4.23	5		
		40	3	7.49	8	3	7.54	8		
			43	7.55	8	43	7.6	8		
			91	7.51	8	91	7.56	8		
		80	7	10.71	11	7	10.76	11		
			39	10.85	11.5	39	10.9	11		
			87	10.62	11.5	87	10.67	11		
		160	15	12.42	12.5	15	12.43	12.5		
			47	12.43	12.5	47	12.46	12.5		
			79	12.32	12.5	79	12.37	12.5		
		U-NII-6 (6425~6525MHz)	ax (HE)	20	97	4.22	5.5	97	4.27	5
					105	4.15	5	105	4.2	5.5
					113	4.39	5	113	4.44	5
40	99			7.26	8	99	7.31	8		
	107			7.61	8	107	7.66	8		
80	103			10.79	11	103	10.84	11		
160	111			12.48	12.5	111	12.47	12.5		

	Frequency	Mode	BW	SISO-Main(TX1)			SISO-Aux(TX2)		
				Chain B			Chain A		
				CH	AV Power	AV Target	CH	AV Power	AV Target
OFDM mode specified maximum output power at an antenna port	U-NII-7 (6525~6875MHz)	ax (HE)	20	117	4.28	5	117	4.33	5.5
				149	4.26	5	149	4.31	5
				181	4.12	5	181	4.17	5.5
			40	115	7.65	8	115	7.7	8
				147	7.69	8	147	7.74	8
				179	7.71	8	179	7.76	8
			80	119	10.77	11	119	10.82	11
				135	10.8	11.5	135	10.85	11.5
				151	10.69	11	151	10.74	11
				167	10.81	11	167	10.86	11
				183	10.74	11	183	10.79	11
			160	143	12.33	12.5	143	12.33	12.5
				175	12.41	12.5	175	12.45	12.5
			U-NII-8 (6875~7125MHz)	ax (HE)	20	185	4.33	5.5	185
	209	4.37				5.5	209	4.42	5.5
	233	0.88				1	233	0.93	1
	40	187			7.54	8	187	7.59	8
		227			7.71	8.5	227	7.76	8
	80	199			10.75	11.5	199	10.8	11.5
		215			10.81	11.5	215	10.86	11.5
160	207	12.39			12.5	207	12.45	12.5	

BT Only Support Aux						
Bluetooth mode maximum output power	Frequency	Mode	Modulation	SISO-Aux(TX2) Chain A		
				CH	AV Power	AV Target
	Bluetooth mode maximum output power	BT 2.4GHz	BR	GFSK	0	9.93
39					10.12	11.5
78					10.01	11.5
EDR			8DPSK	0	9.45	11
				39	9.62	11
				78	9.13	11
BLE			GFSK	0	9.73	10
				19	9.89	10
				39	9.86	10

9. Test Results

9.1 Test Results Summary

SAR MEASUREMENT								
Ambient Temperature (°C): 22.9±2					Relative Humidity (%): 58%			
Liquid Temperature (°C): 22.1±2					Depth of Liquid (cm): >15			
Test Position	Dist. (mm)	Frequency		Conducted Power (dBm)		SAR (W/kg)		Plot No.
		Ch.	MHz	Meas.	Tune-Up Limit	Meas-1g	Scaled-1g	
Test Mode: WLAN2.4GHz_802.11b-1M_Ant Main								
Back	0	1	2412	18.48	19	0.979	1.115	
Back	0	6	2437	18.52	19	0.980	1.105	
Back	0	11	2462	18.45	19	1.000	1.146	
Left-side	0	6	2437	18.52	19	0.149	0.168	
Bottom	0	6	2437	18.52	19	0.622	0.702	
Test Mode: WLAN2.4GHz_802.11b-1M_Ant Aux								
Back	0	1	2412	18.51	19	0.898	1.015	
Back	0	6	2437	18.58	19	1.040	1.157	
Back	0	11	2462	18.55	19	1.060	1.187	61
Left-side	0	1	2412	18.51	19	0.746	0.843	
Left-side	0	6	2437	18.58	19	0.944	1.050	
Left-side	0	11	2462	18.55	19	1.010	1.131	
Top	0	6	2437	18.58	19	0.098	0.109	
Test Mode: Bluetooth_BT-1M_Ant Aux								
Back	0	39	2441	10.12	11.5	0.140	0.247	34

Note:

- When the highest reported SAR for DSSS is adjusted by the ratio of OFDM to DSSS specified maximum output power and the adjusted SAR is ≤ 1.2 W/kg, SAR is not required.
- When the reported SAR of the highest measured maximum output power channel for the exposure configuration is ≤ 0.8 W/kg, no further SAR testing is required for 802.11b DSSS in that exposure configuration.

SAR MEASUREMENT								
Ambient Temperature (°C): 22.7±2					Relative Humidity (%): 54%			
Liquid Temperature (°C): 21.8±2					Depth of Liquid (cm): >15			
Test Position	Dist. (mm)	Frequency		Conducted Power (dBm)		SAR (W/kg)		Plot No.
		Ch.	MHz	Meas.	Tune-Up Limit	Meas-1g	Scaled-1g	
Test Mode: WLAN5GHz_802.11ac80-VHT0_Ant Main								
Back	0	58	5290	13.91	14	0.686	0.707	
Left-side	0	58	5290	13.91	14	0.045	0.047	
Bottom	0	58	5290	13.91	14	0.933	0.962	
Test Mode: WLAN5GHz_802.11ac80-VHT0_Ant Aux								
Back	0	58	5290	13.92	14	0.440	0.453	
Left-side	0	58	5290	13.92	14	1.010	1.039	45
Top	0	58	5290	13.92	14	0.079	0.081	
Test Mode: WLAN5GHz_802.11ac80-VHT0_Ant Main								
Back	0	106	5530	13.90	14	0.575	0.594	
Left-side	0	106	5530	13.90	14	0.061	0.063	
Bottom	0	106	5530	13.90	14	0.790	0.816	
Bottom	0	122	5610	13.86	14	0.803	0.838	
Bottom	0	138	5690	13.81	14	0.893	0.942	
Test Mode: WLAN5GHz_802.11ac80-VHT0_Ant Aux								
Back	0	106	5610	13.87	14	0.451	0.469	
Left-side	0	106	5530	13.87	14	1.120	1.166	50
Left-side	0	122	5610	13.81	14	1.090	1.150	
Left-side	0	138	5690	13.79	14	0.988	1.047	
Top	0	106	5610	13.87	14	0.021	0.022	
Test Mode: WLAN5GHz_802.11ac80-VHT0_Ant Main								
Back	0	155	5775	13.79	14	0.536	0.568	
Left-side	0	155	5775	13.79	14	0.098	0.104	
Bottom	0	155	5775	13.79	14	0.780	0.827	
Test Mode: WLAN5GHz_802.11ac80-VHT0_Ant Aux								
Back	0	155	5775	13.85	14	0.536	0.560	
Left-side	0	155	5775	13.85	14	0.913	0.955	43
Top	0	155	5775	13.85	14	0.044	0.046	
Test Mode: WLAN5GHz_802.11ac80-VHT0_Ant Main								
Back	0	171	5855	13.83	14	0.655	0.688	
Left-side	0	171	5855	13.83	14	0.032	0.034	
Bottom	0	171	5855	13.83	14	0.992	1.042	
Test Mode: WLAN5GHz_802.11ac80-VHT0_Ant Aux								
Back	0	171	5855	13.83	14	0.652	0.685	
Left-side	0	171	5855	13.83	14	1.030	1.082	42
Top	0	171	5855	13.83	14	0.046	0.048	

Note:

1. When multiple transmission modes have the same specified maximum output power, largest channel bandwidth, lowest order modulation and lowest data rate, the lowest order 802.11 mode is selected
2. When the reported SAR of the highest measured maximum output power channel for the exposure configuration is ≤ 0.8 W/kg, no further SAR testing is required in that exposure configuration.
3. When the reported SAR of the highest measured maximum U-NII-2A for the exposure configuration is ≤ 1.2 W/kg, SAR is not required for U-NII-1 band.

SAR MEASUREMENT									
Ambient Temperature (°C): 22.9±2					Relative Humidity (%): 58%				
Liquid Temperature (°C): 22.2±2					Depth of Liquid (cm): >15				
Test Position	Dist. (mm)	Frequency		Conducted Power (dBm)		SAR (W/kg)		APD (W/m ²)	Plot No.
		Ch.	MHz	Meas.	Tune-Up Limit	Meas-1g	Scaled-1g	Meas-4cm ²	
Test Mode: WLAN6GHz_802.11ax160-HE0_Ant Main									
Back	0	111	6505	12.48	12.5	0.357	0.362	2.950	
Left-side	0	111	6505	12.48	12.5	0.033	0.033	0.194	
Bottom	0	15	6025	12.42	12.5	0.419	0.431	3.390	
Bottom	0	47	6185	12.43	12.5	0.416	0.427	3.460	
Bottom	0	111	6505	12.48	12.5	0.489	0.496	3.820	
Bottom	0	175	6825	12.41	12.5	0.578	0.596	4.510	
Bottom	0	207	6985	12.39	12.5	0.528	0.547	4.060	
Test Mode: WLAN6GHz_802.11ax160-HE0_Ant Aux									
Back	0	111	6505	12.47	12.5	0.346	0.352	2.570	
Left-side	0	15	6025	12.43	12.5	0.513	0.527	4.280	
Left-side	0	47	6185	12.46	12.5	0.527	0.537	4.280	
Left-side	0	111	6505	12.47	12.5	0.626	0.637	4.730	9
Left-side	0	175	6825	12.45	12.5	0.570	0.582	4.520	
Left-side	0	207	6985	12.45	12.5	0.517	0.528	4.250	
Top	0	111	6505	12.47	12.5	0.052	0.053	0.287	

Note:

1. When multiple transmission modes have the same specified maximum output power, largest channel bandwidth, lowest order modulation and lowest data rate, the lowest order 802.11 mode is selected.

PD MEASUREMENT											
Ambient Temperature (°C): 22.8±2						Relative Humidity (%): 56%					
Test Position	Dist. (mm)	Frequency		Conducted Power (dBm)		psPDn+ (W/m ²)		psPDtot+ (W/m ²)		Uncertainty	Plot No.
		Ch.	MHz	Meas.	Tune-Up Limit	Meas-4cm ²	Scaled-4cm ²	Meas-4cm ²	Scaled-4cm ²	Uncertainty Scaling Factor	
Test Mode: WLAN6GHz_802.11ax160-HE0_Ant Aux											
Left-side	2	15	6025	12.43	12.5	4.570	7.271	4.750	7.557	1.550	2
Test Mode: WLAN6GHz_802.11ax160-HE0_Ant Aux											
Left-side	2	47	6185	12.46	12.5	3.700	5.846	4.040	6.383	1.550	
Test Mode: WLAN6GHz_802.11ax160-HE0_Ant Aux											
Left-side	2	111	6505	12.47	12.5	4.000	6.305	4.520	7.125	1.550	
Test Mode: WLAN6GHz_802.11ax160-HE0_Ant Main											
Bottom	2	175	6825	12.41	12.5	3.990	6.377	4.200	6.713	1.550	
Test Mode: WLAN6GHz_802.11ax160-HE0_Ant Main											
Bottom	2	207	6985	12.39	12.5	4.250	6.824	4.510	7.242	1.550	

Note:

1. Per WLAN 6 GHz interim test procedure in Oct. 2020 TCBs Workshop notes. At least 5 channels for BW 160MHz should be tested.

9.2 Simultaneous Transmission

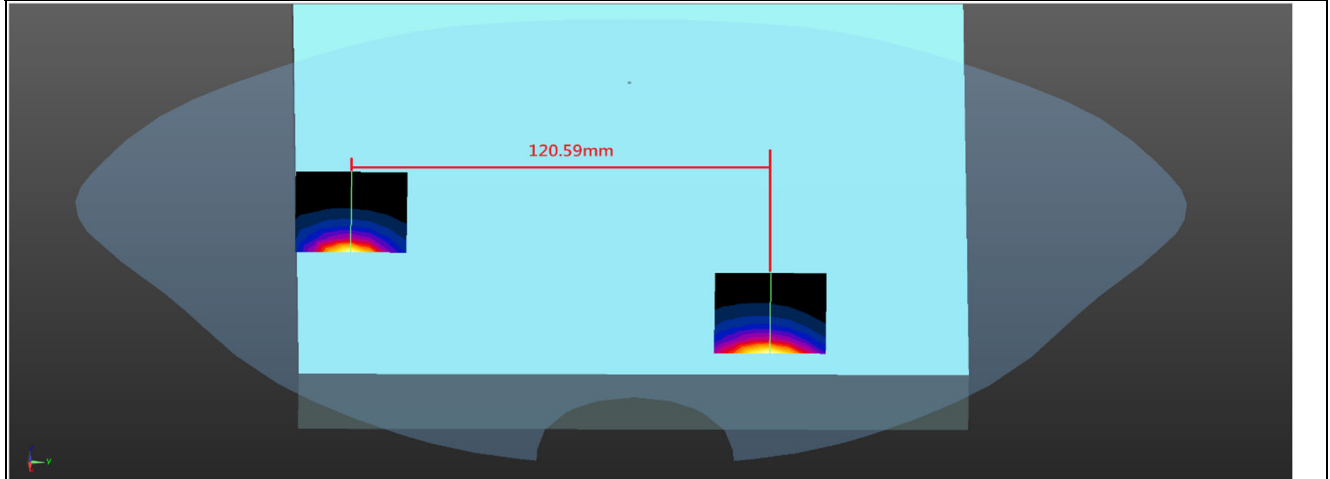
Simultaneous Transmission Configurations	
1	WLAN 2.4 GHz ANT Main + WLAN 2.4 GHz ANT Aux
2	WLAN 2.4 GHz ANT Main + Bluetooth Aux
3	WLAN 5 GHz ANT Main + WLAN 5 GHz ANT Aux
4	WLAN 5 GHz ANT Main + Bluetooth Aux
5	WLAN 5 GHz ANT Main + WLAN 5 GHz ANT Aux + Bluetooth Aux
6	WLAN 6 GHz ANT Main + WLAN 6 GHz ANT Aux
7	WLAN 6 GHz ANT Main + Bluetooth Aux
8	WLAN 6 GHz ANT Main + WLAN 6 GHz ANT Aux + Bluetooth Aux

9.2.1 Simultaneous transmission test exclusion considerations

Test Position	1	2	3	4	5	6	7	1+2	1+7	3+4	3+7	3+4+7	5+6	5+7	5+6+7
	WLAN2.4 GHz ANT Main (W/kg)	WLAN2.4 GHz ANT Aux (W/kg)	WLAN5G Hz ANT Main (W/kg)	WLAN5G Hz ANT Aux (W/kg)	WLAN6G Hz ANT Main (W/kg)	WLAN6G Hz ANT Aux (W/kg)	Bluetooth ANT Aux (W/kg)	Σ 1-g SAR	Σ 1-g SAR	Σ 1-g SAR	Σ 1-g SAR	Σ 1-g SAR	Σ 1-g SAR	Σ 1-g SAR	Σ 1-g SAR
Back at 0 mm	1.146	1.187	0.707	0.685	0.362	0.352	0.247	2.333	1.393	1.392	0.954	1.639	0.714	0.609	0.961
Left-side at 0 mm	0.168	1.131	0.104	1.166	0.033	0.637	-	1.299	0.168	1.270	0.104	1.270	0.670	0.033	0.670
Top at 0 mm	-	0.109	-	0.081	-	0.053	-	0.109	-	0.081	-	0.081	0.053	-	0.053
Bottom at 0 mm	0.702	-	1.042	-	0.596	-	-	0.702	0.702	1.042	1.042	1.042	0.596	0.596	0.596

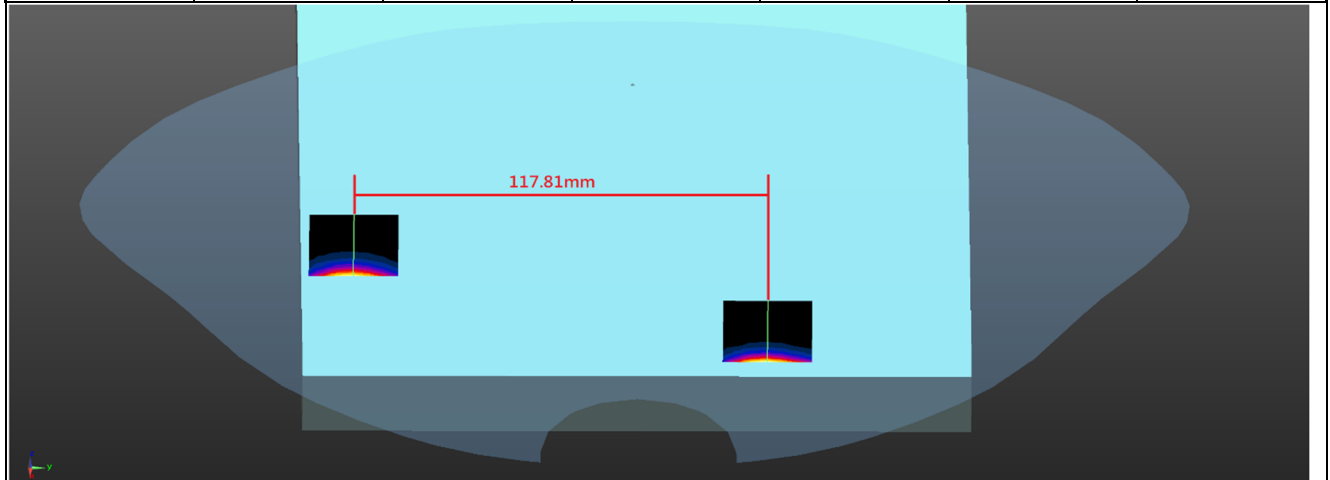
When the sum of SAR is larger than the limit, The ratio is determined by $(SAR1 + SAR2)^{1.5/Ri}$, rounded to two decimal digits, and must be ≤ 0.04 for all antenna pairs in the configuration to qualify for 1-g SAR test exclusion. The estimation result as below:

Test Position	WLAN2.4GHz Ant Main SAR (W/kg)	WLAN2.4GHz Ant Aux SAR (W/kg)	Simultaneous Transmission (W/kg)	Antenna pair in mm	Peak location separation ratio
Back	1.146	1.187	2.333	120.59	0.03



The ratio of value is less than 0.04, thus simultaneous SAR testing is not needed.

Test Position	WLAN5GHz Ant Main SAR (W/kg)	WLAN5GHz Ant Aux SAR (W/kg)	Bluetooth Ant Aux SAR (W/kg)	Simultaneous Transmission (W/kg)	Antenna pair in mm	Peak location separation ratio
Back	0.707	0.685	0.247	1.639	117.81	0.02



The ratio of value is less than 0.04, thus simultaneous SAR testing is not needed.

10. SAR measurement variability

- 1) Repeated measurement is not required when the original highest measured SAR is < 0.80 W/kg; steps 2) through 4) do not apply.
- 2) When the original highest measured SAR is ≥ 0.80 W/kg, repeat that measurement once.
- 3) Perform a second repeated measurement only if the ratio of largest to smallest SAR for the original and first repeated measurements is > 1.20 or when the original or repeated measurement is ≥ 1.45 W/kg (~ 10% from the 1-g SAR limit).
- 4) Perform a third repeated measurement only if the original, first or second repeated measurement is ≥ 1.5 W/kg and the ratio of largest to smallest SAR for the original, first and second repeated measurements is > 1.20 .

Frequency		SAR 1g (W/kg)		
Channel	MHz	Original	First Repeated	
			Value	Ratio
11	2462	1.06	1.02	1.039
106	5530	1.12	1.04	1.077

Appendix

Appendix A. System Check Data

Appendix B. Highest measurement Data

Appendix C. Test Setup Photographs

Appendix D. Probe Calibration Data

Appendix E. Dipole Calibration Data

Appendix F. Product Photos-Please refer to the file: 2410481R-Product Photos