



台灣安潔電子股份有限公司
Taiwan Anjie Electronics Co., Ltd

承認書

APPROVAL SHEET

Customer: 研華
Customer Model No.: 1751000195-01
Part No.: AJDQ1J-G0001
Product Description: Antenna Internal WIFI 1.13/465mm(Green)IPEX_IV
Issue Date: 20211202
REV.: A

客戶承認用印	安潔承認用印

核准	審核	承辦
		Anders

Taiwan Anjie Electronics Co., Ltd
台灣安潔電子股份有限公司

ADD: 1F, No.236, Sec.3, Huanbei Rd., Jubei City, Hsinchu County, 30265, Taiwan

地址:新竹縣竹北市環北路三段236號1樓

TEL: 886-3-5543399

FAX: 886-3-5543062

電話: 886-3-5543399

傳真: 886-3-5543062



Table of Contents

Item

1. Drawing

2. Test Report

- Electrical test
 - Antenna Gain and Efficiency
-

3. Material Certifications

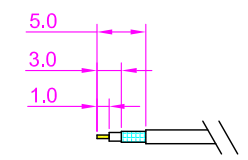
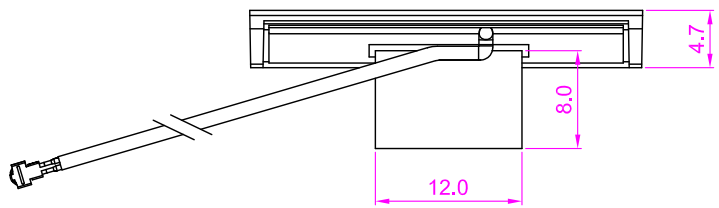
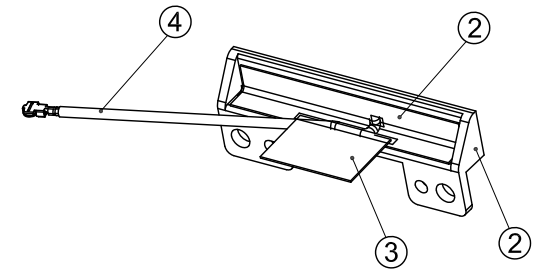
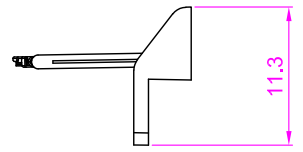
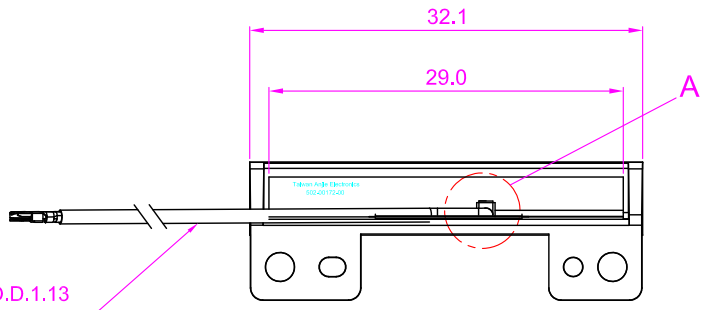
- Antenna
 - Connector
-



台灣安潔電子股份有限公司
Taiwan Anjie Electronics Co., Ltd

SPECIFICATION	
Frequency Range	2400~5850MHz
Impedance	50Ω
V.S.W.R	≤ 2.5
Radiation	Omni
Gain	2.4G<4.25dBi 5G<2.02 dBi
Type	PIFA
Polarization	Vertical
Mechanical Properties	
Connector	I-PEX_IV

REV	DATE	DESCRIPTION
X1	2021.01.07	New Release
X2	2021.08.05	Change cable length DIM



DETAIL A

No.	Part No.	Description	Q'ty
4	901-02700-00	O.D. 1.13mm IPEX_IV Part No. 20565-001R-13 ; Lengh=465mm(Green)	1
3	801-03369-00	銅箔 12*8mm	1
2	502-00172-00	FPCB 29*6*0.15mm	1
1	302-06031-00	Wifi AUX Holder 32.1*11.3*4.7mm (Black)	1

UNLESS OTHERWISE SPECIFIED Tolerance ON:

X.X ±0.5 X° ±1.0
X.XX ±0.2

anjie Taiwan Anjie Electronics Co.,Ltd

Customer Model: AIM78
Customer Number: --
TITLE: Antenna Internal WiFi AUX

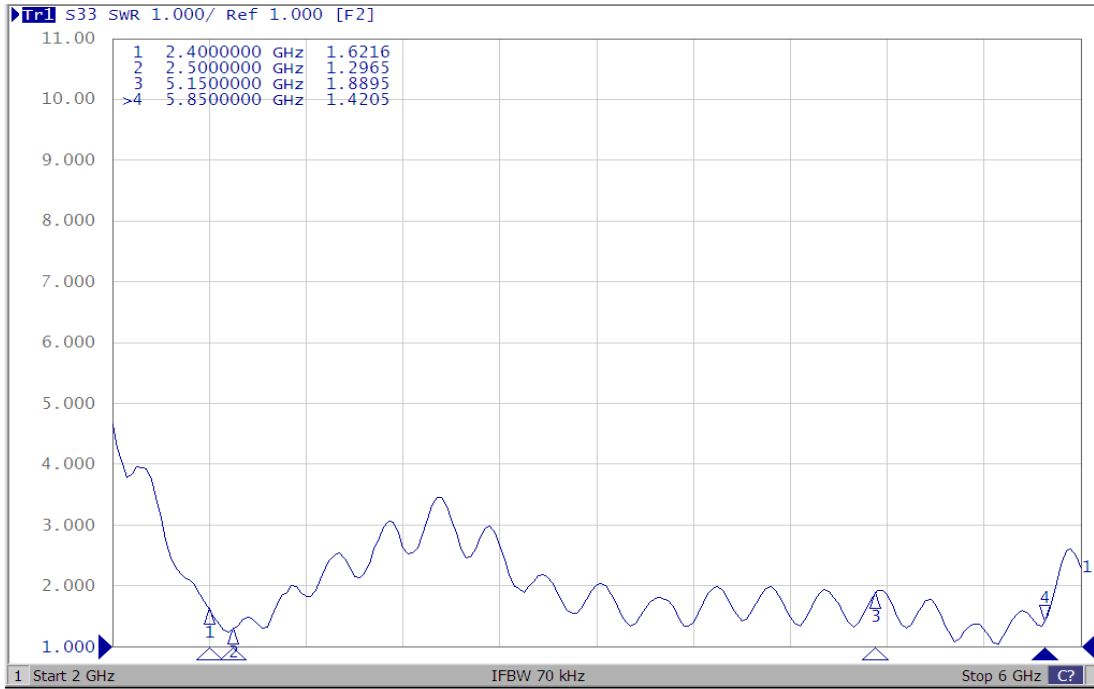
APP BY: Lin Grant (2021.08.05) | CHK BY: Kuo Doris (2021.08.05) | DES BY: Kuo Doris (2021.08.05)

PART NO.: AJDQ1J-G0001

Sheet	UNITS	SCALE	REV
1 of 1	mm	2 / 1	X2



Electrical test





台灣安潔電子股份有限公司
Taiwan Anjie Electronics Co., Ltd

Antenna Gain and Efficiency

Frequency(MHz)	2400	2410	2420	2430	2440	2450	2460	2470	2480	2490	2500
Gain (dBi)	4.19	4.09	4.25	4.12	4.07	3.95	3.86	3.86	3.71	3.46	3.43
Directivity (dBi)	7.87	7.74	7.89	7.76	7.61	7.43	7.34	7.25	7.03	6.82	6.67
Efficiency (dB)	-3.68	-3.66	-3.64	-3.64	-3.54	-3.48	-3.48	-3.39	-3.32	-3.37	-3.24
Efficiency (%)	42.82	43.09	43.23	43.22	44.3	44.86	44.91	45.87	46.59	46.07	47.43

Frequency(MHz)	5150	5250	5350	5450	5550	5650	5750	5850
Gain (dBi)	0.97	1.81	2.02	1.08	1.63	1.95	0.3	0.41
Directivity (dBi)	4.63	5.5	5.56	4.68	4.94	5.53	3.96	4.33
Efficiency (dB)	-3.66	-3.69	-3.54	-3.59	-3.32	-3.58	-3.66	-3.93
Efficiency (%)	43.01	42.78	44.26	43.71	46.58	43.87	43.05	40.46



台灣安潔電子股份有限公司
Taiwan Anjie Electronics Co., Ltd

Antenna 3D Pattern

