



Test Report No:  
2410481R-RFUSV07S-A

## TEST REPORT FCC Rules&Regulations

Product Name	Tablet PC
Brand Name	ADVANTECH
Model No.	AIM-68S
FCC ID	M82-AIM68S
Applicant's Name / Address	Advantech Co., Ltd. No.1, Alley 20, Lane 26, Rueiguang Road, Neihu District, Taipei 114, Taiwan
Manufacturer's Name	Advantech Co., Ltd.
Test Method Requested, Standard	FCC CFR Title 47 Part 15 Subpart C Section 15.225 ANSI C63.10-2013
Verdict Summary	IN COMPLIANCE
Documented By Genie Chang	<i>Genie Chang</i>
Tested By Ivan Chuang	<i>Ivan Chuang</i>
Approved By Alan Chen	<i>Alan Chen</i>
Date of Receipt	2024/01/17
Date of Issue	2024/02/26
Report Version	V1.0

## INDEX

	page
Competences and Guarantees.....	4
General Conditions.....	4
Revision History.....	5
Summary of Test Result.....	6
1. General Information.....	7
1.1. EUT Description.....	7
1.2. EUT Information.....	7
1.3. Testing Location Information.....	8
1.4. Measurement Uncertainty.....	8
1.5. List of Test Equipment.....	9
2. Test Configuration of EUT.....	11
2.1. Test Condition.....	11
2.2. Test Frequency Mode.....	11
2.3. The Worst Case Measurement Configuration.....	11
2.4. Tested System Details.....	12
2.5. Configuration of tested System.....	12
3. AC Power Line Conducted Emission.....	13
3.1. Test Setup.....	13
3.2. Test Limit.....	13
3.3. Test Procedure.....	13
3.4. Test Result of AC Power Line Conducted Emission.....	13
4. Frequency Stability.....	14
4.1. Test Setup.....	14
4.2. Test Limit.....	14
4.3. Test Procedures.....	14
4.4. Test Result of Frequency Stability.....	14
5. Field Strength of Fundamental Emissions and Spectrum Mask.....	15
5.1. Test Setup.....	15
5.2. Test Limit.....	15
5.3. Test Procedure.....	16
5.4. Test Result of Field Strength of Fundamental Emissions and Spectrum Mask.....	16
6. Radiated Emission.....	17
6.1. Test Setup.....	17
6.2. Test Limit.....	18
6.3. Test Procedure.....	18
6.4. Test Result of Radiated Emission.....	19

---

Appendix A. Test Result of AC Power Line Conducted Emission

Appendix B. Test Result of Frequency Stability

Appendix C. Test Result of Field Strength of Fundamental Emissions and Spectrum Mask

Appendix D. Test Result of Radiated Emission

Appendix E. Test Setup Photograph

---

## Competences and Guarantees

---

DEKRA is a testing laboratory competent to carry out the tests described in this report.

In order to assure the traceability to other national and international laboratories, DEKRA has a calibration and maintenance program for its measurement equipment.

DEKRA guarantees the reliability of the data presented in this report, which is the result of the measurements and the tests performed to the item under test on the date and under the conditions stated in the report and it is based on the knowledge and technical facilities available at DEKRA at the time of performance of the test.

DEKRA is liable to the client for the maintenance of the confidentiality of all information related to the item under test and the results of the test.

The results presented in this Test Report apply only to the particular item under test established in this document.

**IMPORTANT:** No parts of this report may be reproduced or quoted out of context, in any form or by any means, except in full, without the previous written permission of DEKRA.

---

## General Conditions

---

1. The test results relate only to the samples tested.
2. The test results shown in the test report are traceable to the national/international standard through the calibration report of the equipment and evaluated measurement uncertainty herein.
3. This report must not be used to claim product endorsement by TAF or any agency of the government.
4. The test report shall not be reproduced without the written approval of DEKRA Testing and Certification Co., Ltd.
5. Measurement uncertainties evaluated for each testing system and associated connections are given here to provide the system information for reference. Compliance determinations do not take into account measurement uncertainties for each testing system, but are based on the results of the compliance measurement.

## Revision History

---

Version	Description	Issued Date
V1.0	Initial issue of report	2024/02/26

## Summary of Test Result

Report Clause	Test Items	Result (PASS/FAIL)	Remark
3	AC Power Line Conducted Emission	PASS	-
4	Frequency Stability	PASS	-
5	Field Strength of Fundamental Emissions and Spectrum Mask	PASS	-
6	Radiated Emission	PASS	-

### Comments and Explanations

The declared of product specification for EUT presented in the report are provided by the manufacturer, and the manufacturer takes all the responsibilities for the accuracy of product specification.

## 1. General Information

### 1.1. EUT Description

Frequency Range	13.553 ~ 13.567 MHz
Operation Frequency	13.56 MHz
Channel Number	1 Channel
Type of Modulation	ASK

Accessories Information					
No.	Equipment Name	Brand Name	Model No.	Rating	Remark
1	Adapter	Delta	ADP-65SD B	INPUT: AC 100-240V~1.5A 50-60Hz OUTPUT: 20.0V $\overline{=}$ 3.25A 65.0W/ 15.0V $\overline{=}$ 3.0A / 9.0V $\overline{=}$ 3.0A / 5.0V $\overline{=}$ 3.0A 15.0W	With power cable : Non-Shielded, 1.8m
No.	Equipment Name	Description			
2	POWER SUPPLY CORD	Non-Shielded, 1.8m			

Antenna Information			
Item.	Brand Name	Model No.	Type
1	Smart Approach	SM-MSN31-C03	Loop

Note:

The above EUT information is declared by the manufacturer.

### 1.2. EUT Information

EUT Power Type	From Adapter
----------------	--------------

### 1.3. Testing Location Information

USA	FCC Registration Number: TW0033
Canada	CAB Identifier Number: TW3023 / Company Number: 26930

Site Description	Accredited by TAF
	Accredited Number: 3023

Test Laboratory	DEKRA Testing and Certification Co., Ltd.
	Linkou Laboratory
Address	No.5-22, Ruishukeng Linkou District, New Taipei City, 24451, Taiwan, R.O.C.
Performed Location	No. 26, Huaya 1st Rd., Guishan Dist., Taoyuan City 333411, Taiwan, R.O.C.
Phone Number	+886-3-275-7255
Fax Number	+886-3-327-8031

Ambient conditions in the laboratory:

Performed Item	Items	Required	Actual	Test Date
AC Power Line Conducted Emission	Temperature (°C)	10~40 °C	24.1 °C	2024/02/20
	Humidity (%RH)	10~90 %	71.8 %	
RF Conducted Emission	Temperature (°C)	10~40 °C	23.4 °C	2024/01/31~2024/02/01
	Humidity (%RH)	10~90 %	62.0 %	
RF Radiated Emission	Temperature (°C)	10~40 °C	22.5 °C	2024/01/31~2024/02/01
	Humidity (%RH)	10~90 %	59.8 %	

### 1.4. Measurement Uncertainty

Uncertainties have been calculated according to the DEKRA internal document with the emissions test results be included in the report. The measurement uncertainties given below are based on a 95% confidence level (based on a coverage factor ( $k=2$ )).

Test item	Uncertainty
AC Power Line Conducted Emission	±3.50 dB
Emission Bandwidth	±1580.61 Hz
Field Strength of Fundamental Emissions and Spectrum Mask	± 3.88 dB
Radiated Emission	9 kHz~30 MHz: ±3.88 dB 30 MHz~1 GHz: ±4.42 dB 1 GHz~18 GHz: ±4.28 dB
Frequency Stability	±1580.61 Hz
Temperature and Humidity	Temperature : ± 0.7 °C Humidity : ± 3 %



## 1.5. List of Test Equipment

For Conduction Measurements / HY-SR01

	Equipment	Manufacturer	Model No.	Serial No.	Cal. Date	Due Date
V	EMI Test Receiver	R&S	ESR7	101601	2023/06/20	2024/06/19
V	Two-Line V-Network	R&S	ENV216	101306	2023/03/16	2024/03/15
V	Two-Line V-Network	R&S	ENV216	101307	2023/08/17	2024/08/16
V	Coaxial Cable	SUHNER	RG400_BNC	RF001	2024/01/10	2025/01/09

Note:

1. All equipments are calibrated every one year.
2. The test instruments marked with "V" are used to measure the final test results.
3. Test Software Version: e3 230303 dekra V9.

For Conducted Measurements / HY-SR03

	Equipment	Manufacturer	Model No.	Serial No.	Cal. Date	Due Date
V	Spectrum Analyzer	R&S	FSV30	103466	2024/01/05	2025/01/04
V	Temperature Chamber	KSON	THS-D4T-100	A0606	2023/08/10	2024/08/09
V	AC Power Source	eec	6605	1570547	2024/01/30	2025/01/29
	Dual Output Autoranging DC Power Supply	KEYSIGHT	E36234A	MY59001234	2023/11/09	2024/11/08

Note:

1. All equipments are calibrated every one year.
2. The test instruments marked with "V" are used to measure the final test results.
3. Test Software Version: RF Conducted Test Tools R3 V3.0.0.14.

## For Radiated Measurements /HY-CB03

	Equipment	Manufacturer	Model No.	Serial No.	Cal. Date	Due Date
V	Loop Antenna	AMETEK	HLA6121	56736	2023/05/23	2024/05/22
V	Bi-Log Antenna	SCHWARZBECK	VULB9168	9168-0675	2023/08/09	2025/08/08
	Horn Antenna	Com-Power	AH-840	101100	2023/10/02	2025/10/01
	Horn Antenna	RF SPIN	DRH18-E	210507A18ES	2023/05/11	2024/05/10
V	Pre-Amplifier	SGH	SGH0301-9	20211007-11	2024/01/10	2025/01/09
	Pre-Amplifier	SGH	PRAMP118	20200701	2024/01/10	2025/01/09
	Pre-Amplifier	EMCI	EMC05820SE	980310	2024/01/10	2025/01/09
	Pre-Amplifier	EMCI	EMC184045SE	980369	2024/01/10	2025/01/09
	Coaxial Cable	EMCI	EMC102-KM-KM-600	1160314	2024/01/10	2025/01/09
	Coaxial Cable	EMCI	EMC102-KM-KM-7000	170242	2024/01/10	2025/01/09
	Filter	MICRO TRONICS	BRM50702	G269	2024/01/05	2025/01/04
	Filter	MICRO TRONICS	BRM50716	G196	2024/01/05	2025/01/04
V	EMI Test Receiver	R&S	ESR3	102793	2023/12/11	2024/12/10
	Spectrum Analyzer	R&S	FSV3044	101114	2024/02/21	2025/02/20
V	Coaxial Cable	SGH	SGH18	2021005-1	2024/01/10	2025/01/09
V	Coaxial Cable	SGH	SGH18	202108-4	2024/01/10	2025/01/09
V	Coaxial Cable	SGH	HA800	GD20110223-1	2024/01/10	2025/01/09
V	Coaxial Cable	SGH	HA800	GD20110222-3	2024/01/10	2025/01/09

## Note:

1. Bi-Log Antenna and Horn Antenna(AH-840) is calibrated every two years, the other equipments are calibrated every one year.
2. The test instruments marked with "V" are used to measure the final test results.
3. Test Software Version: e3 230303 dekra V9.

## 2. Test Configuration of EUT

### 2.1. Test Condition

EUT Operational Condition			
Testing Voltage	$V_{nom}$ (AC 120V/60Hz)	$V_{min}$ (AC 102V/60Hz)	$V_{max}$ (AC 138V/60Hz)

### 2.2. Test Frequency Mode

Test Software Version	NFC Scan Demo / Version 1.0.0
-----------------------	-------------------------------

Modulation	Frequency (MHz)	Power Setting
ASK	13.56	N/A

### 2.3. The Worst Case Measurement Configuration

Test Mode	Mode 1	Transmit
-----------	--------	----------

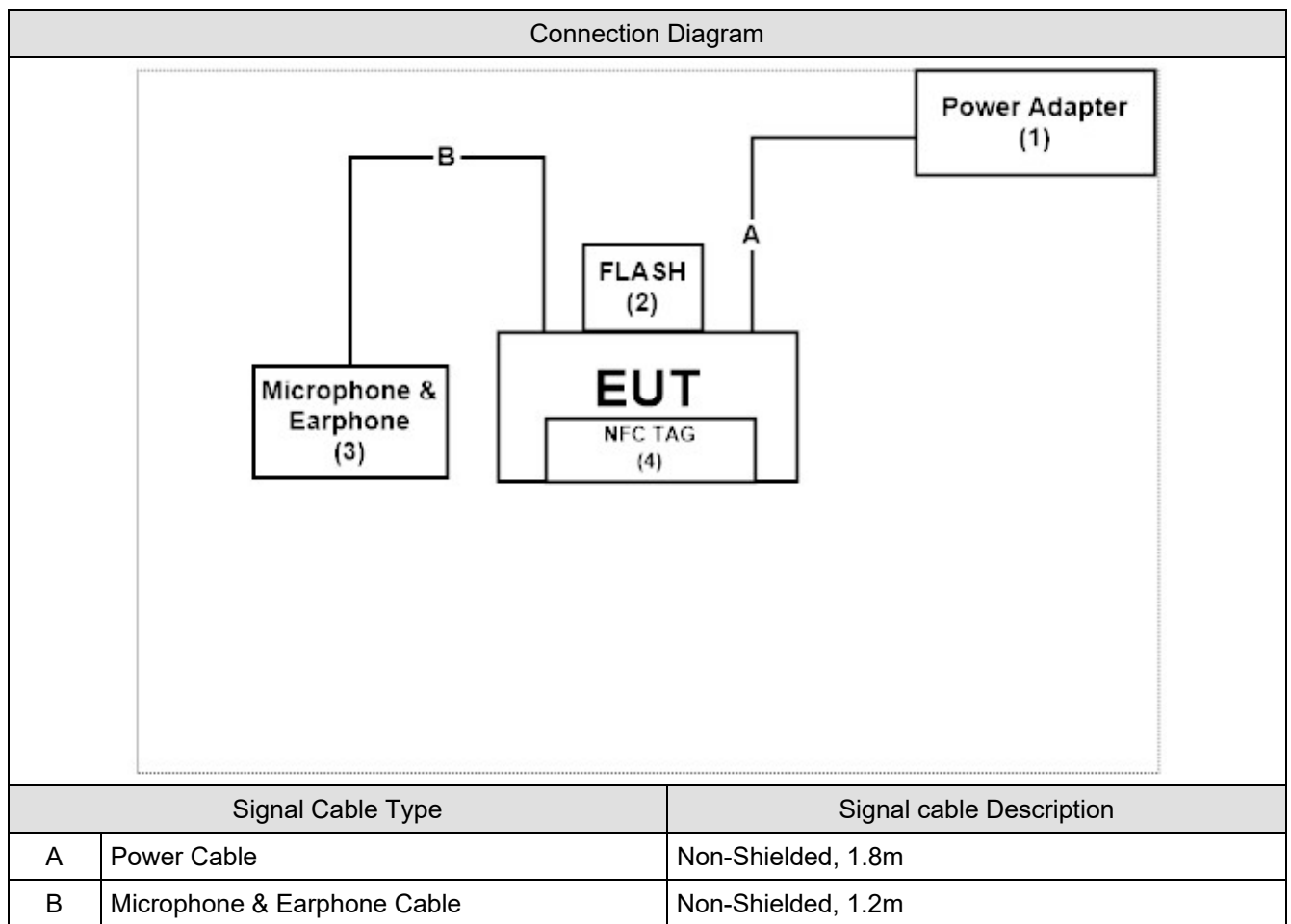
Note:

1. Determining compliance shall be based on the results of the compliance measurement, not taking into account measurement instrumentation uncertainty.
2. For radiated emission below 1 GHz and AC power line conducted emission have performed all modes of operation were investigated and the worst-case emissions are reported.
3. The EUT was performed at X axis, Y axis and Z axis position for transmitter radiated spurious domain emission. Only the worst case is shown in the report.

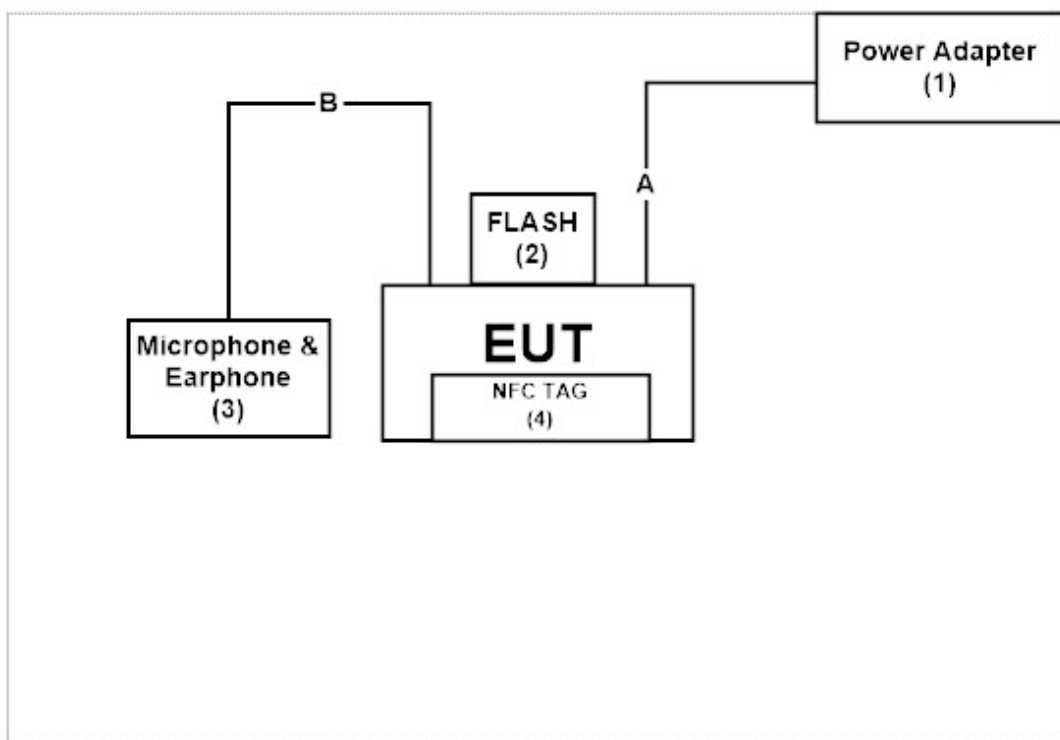
## 2.4. Tested System Details

No.	Equipment	Brand Name	Model No.	Serial No.	Power Cord
1	Power Adapter	Delta	ADP-65SD B	N/A	N/A
2	FLASH	SanDisk	16GB Ultra Flair CZ73	N/A	N/A
3	Microphone & Earphone	Verbatim	C09024VB	N/A	N/A
4	NFC TAG	ASUS	NFC TAG	N/A	N/A

## 2.5. Configuration of tested System

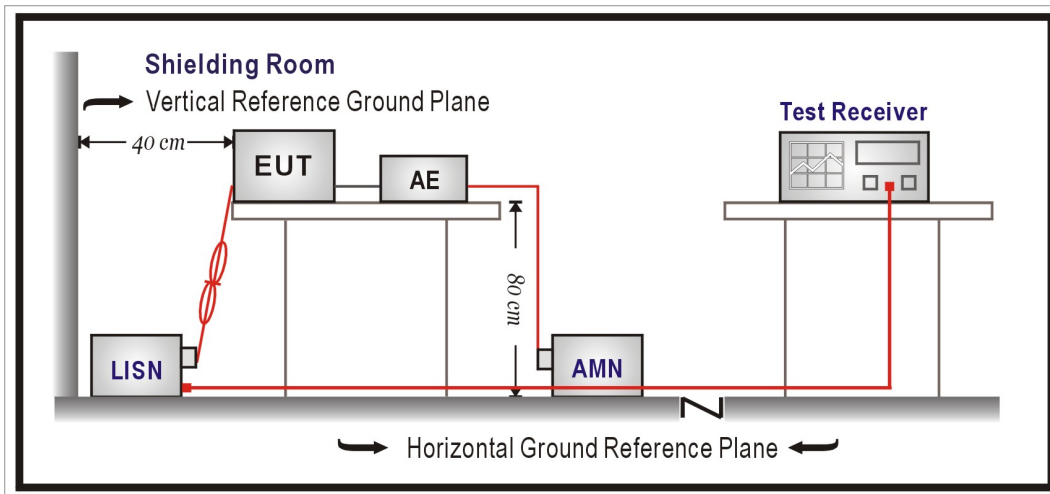


Connection Diagram



### 3. AC Power Line Conducted Emission

#### 3.1. Test Setup



#### 3.2. Test Limit

Frequency (MHz)	QP (dBuV)	AV (dBuV)
0.15 - 0.50	66 - 56	56 - 46
0.50 - 5.0	56	46
5.0 - 30	60	50

Remarks: In the above table, the tighter limit applies at the band edges.

#### 3.3. Test Procedure

The EUT and simulators are connected to the main power through a line impedance stabilization network (L.I.S.N.). This provides a 50 ohm /50uH coupling impedance for the measuring equipment. The peripheral devices are also connected to the main power through a LISN that provides a 50ohm /50uH coupling impedance with 50 ohm termination. (Please refer to the block diagram of the test setup and photographs.)

Both sides of A.C. line are checked for maximum conducted interference. In order to find the maximum emission, the relative positions of equipment and all of the interface cables must be changed according to ANSI C63.10: 2013 on conducted measurement.

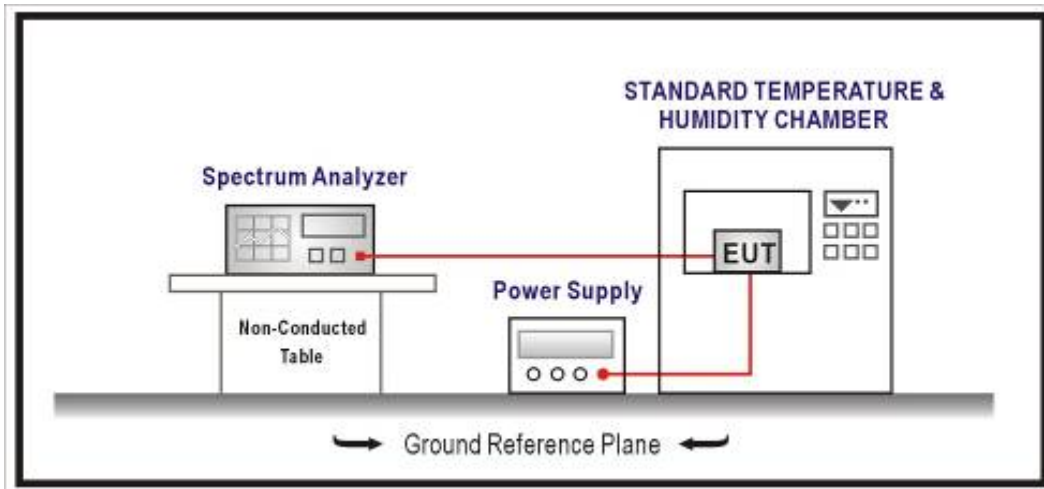
Conducted emissions were investigated over the frequency range from 0.15 MHz to 30 MHz using a receiver bandwidth of 9 kHz.

#### 3.4. Test Result of AC Power Line Conducted Emission

Refer as Appendix A

## 4. Frequency Stability

### 4.1. Test Setup



### 4.2. Test Limit

Carrier frequency stability shall be maintained to  $\pm 0.01\%$  ( $\pm 100$  ppm).

### 4.3. Test Procedures

The frequency tolerance of the carrier signal shall be maintained within  $\pm 0.01\%$  of the operating frequency over a temperature variation of  $-20$  degrees to  $50$  degrees C at normal supply voltage, and for a variation in the primary supply voltage from  $85\%$  to  $115\%$  of the rated supply voltage at a temperature of  $20$  degrees C.

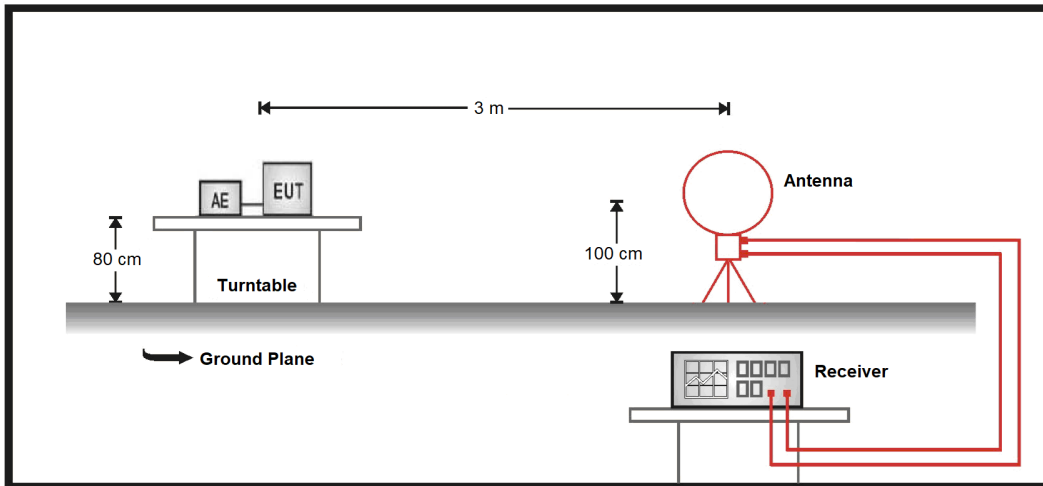
For battery operated equipment, the equipment tests shall be performed using a new battery.

### 4.4. Test Result of Frequency Stability

Refer as Appendix B

## 5. Field Strength of Fundamental Emissions and Spectrum Mask

### 5.1. Test Setup



### 5.2. Test Limit

Field Strength of Fundamental Emissions			
Frequencies (MHz)	Field Strength (microvolts/meter) at 30m	Field Strength (dB $\mu$ V/m) at 10m	Field Strength (dB $\mu$ V/m) at 3m
13.553 – 13.567 MHz	15848	103.08 (QP)	124 (QP)

Quasi peak measurement of the fundamental.

Spectrum Mask					
Description	Compliance with the spectrum mask is tested using a spectrum analyzer with RBW set to a 9kHz for the band 13.553 – 13.567 MHz.				
Limit	Freq. of Emission (MHz)	Field Strength			
		(uV/m)@30m	(dBuV/m)@30m	(dBuV/m)@10m	(dBuV/m)@3m
	1.705~13.110	30	29.5	48.6	69.5
	13.110~13.410	106	40.5	59.6	80.5
	13.410~13.553	334	50.5	69.6	90.5
	13.553~13.567	15848	84.0	103.1	124.0
	13.567~13.710	334	50.5	69.6	90.5
	13.710~14.010	106	40.5	59.6	80.5
	14.010~30.000	30	29.5	48.6	69.5

### **5.3. Test Procedure**

1. Configure the EUT according to ANSI C63.10: 2013. The EUT was placed on the top of the turntable 0.8 meter above ground. The phase center of the loop receiving antenna mounted antenna tower was placed 3 meters far away from the turntable.
2. Power on the EUT and all the supporting units. The turntable was rotated by 360 degrees to determine the position of the highest radiation.
3. The height of the receiving antenna was fixed at one meter above ground to find the maximum emissions field strength.
4. For Fundamental emissions, use the receiver to measure QP reading.
5. When the radiated emissions limits are expressed in terms of the average value of the emissions, and pulsed operation is employed, the measurement field strength shall be determined by averaging over one complete pulse train, including blanking intervals, as long as the pulse train does not exceed 0.1 seconds. As an alternative (provided the transmitter operates for longer than 0.1 seconds) or in cases where the pulse train exceeds 0.1 seconds, the measured field strength shall be determined from the average absolute voltage during a 0.1 second interval during which the field strength is at its maximum value.
6. Compliance with the spectrum mask is tested using a spectrum analyzer with RBW set to a 9kHz for the band 13.553 – 13.567 MHz.

### **5.4. Test Result of Field Strength of Fundamental Emissions and Spectrum Mask**

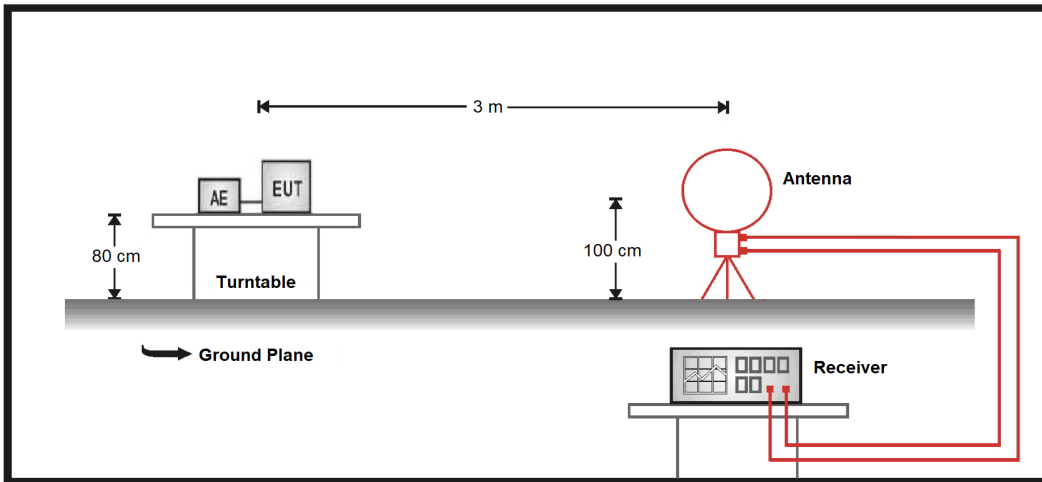
Refer as Appendix C



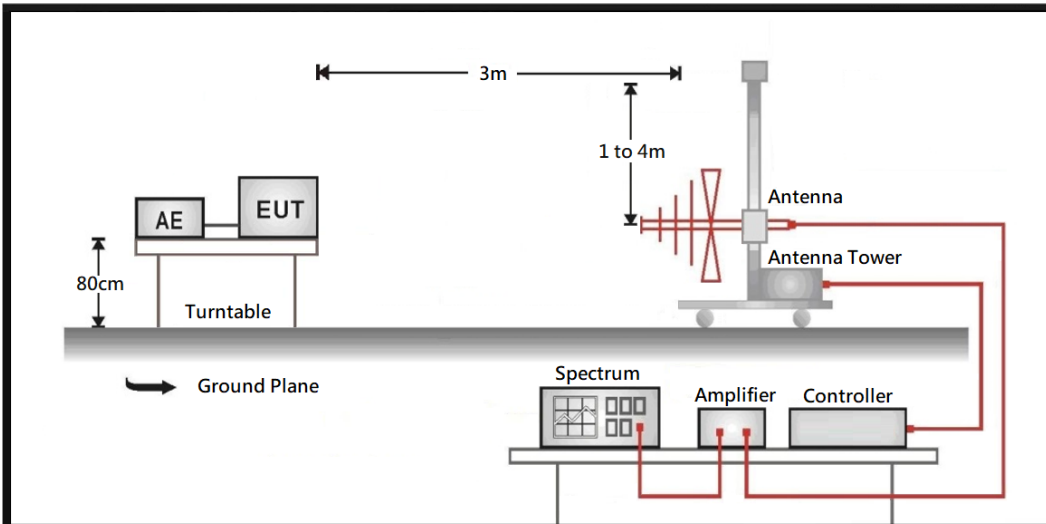
## 6. Radiated Emission

### 6.1. Test Setup

9 kHz ~ 30 MHz



30 MHz ~ 1 GHz



## 6.2. Test Limit

The field strength of any emissions which appear outside of 13.553 ~ 13.567MHz band shall not exceed the general radiated emissions limits.

Frequency (MHz)	Field strength (uV/m)	Field strength (dBuV/m)	Measurement distance (m)
0.009 – 0.490	2400/F(kHz)	20 log (2400/F(kHz))	300
0.490 – 1.705	24000/F(kHz)	20 log (24000/F(kHz))	30
1.705 - 30	30	29.5	30
30 - 88	100	40	3
88 - 216	150	43.5	3
216 - 960	200	46	3
Above 960	500	54	3

Remarks:

1. Field strength (dBuV/m) = 20 log Field strength (uV/m)
2. In the Above Table, the tighter limit applies at the band edges.
3. Distance refers to the distance in meters between the measuring instrument antenna and the closed point of any part of the device or system

## 6.3. Test Procedure

1. Configure the EUT according to ANSI C63.10: 2013. The EUT was placed on the top of the turntable 0.8 meter above ground. The phase center of the receiving antenna mounted on the top of a height-variable antenna tower was placed 3 meters far away from the turntable.
2. Power on the EUT and all the supporting units. The turntable was rotated by 360 degrees to determine the position of the highest radiation.
3. The height of the broadband receiving antenna was varied between one meter and four meters above ground to find the maximum emissions field strength of both horizontal and vertical polarization.
4. For each suspected emissions, the antenna tower was scan (from 1 M to 4 M) and then the turntable was rotated (from 0 degree to 360 degrees) to find the maximum reading.
5. Set the test-receiver system to Peak or CISPR quasi-peak Detect Function with specified bandwidth under Maximum Hold Mode.
6. When the radiated emissions limits are expressed in terms of the average value of the emissions, and pulsed operation is employed, the measurement field strength shall be determined by averaging over one complete pulse train, including blanking intervals, as long as the pulse train does not exceed 0.1 seconds. As an alternative (provided the transmitter operates for longer than 0.1 seconds) or in cases where the pulse train exceeds 0.1 seconds, the measured field strength shall be determined from the average absolute voltage during a 0.1 second interval during which the field strength is at its maximum value.
7. In case the emission is lower than 30MHz, loop antenna has to be used for measurement and the recorded data should be QP measured by receiver. High – Low scan is not required in this case.

---

#### **6.4. Test Result of Radiated Emission**

Refer as Appendix D