

CHT\_CR MRD REV0P894

PBA# H79740-100  
PB# H80659-001

D

D

C

C

B

B

A

A

<b>CherryTrail -T</b>		
Title 01_BLOCK DIAGRAM		
Size Custom	Document Number	Rev V1.0
Date: Monday, August 28, 2017	Sheet 1 of 38	

BPAGE DRAWING

cht\_cr\_mrd.s  
Mon Apr 27 05:43:16 2015

BOM_RELEASE_DATE	<BOM_RELEASE_DATE>	PB_NUMBER H80659-001		
SIGNATURE	DATE	INTEL CORPORATION 2200 MISSION BLVD SANTA CLARA, CA 95054		
DRN_BY <DRN_BY>	<DRN_BY_DATE>	TITLE		
CHK_BY <CHK_BY>	<CHK_BY_DATE>	CHT-CR_MRD		
ENGR_APVD <ENGR_APVD>	<ENGR_APVD_DATE>			
VARIANT: <VARIANT>		INTEL CONFIDENTIAL	DOCUMENT_NUMBER <DOCUMENT_NUMBER>	REV 0p9 PAGE 1/38

D

D

C

C

B

B

A

A

<b>CherryTrail -T</b>		
Title		
02_BLOCK DIAGRAM		
Size	Document Number	Rev
Custom		V1.0
Date:	Monday, August 28, 2017	Sheet 2 of 38

BPAGE DRAWING

NO PAGE TITLE

ch1\_cr\_jrtd.s  
Mon Apr 27 05:43:17 2015

VARIANT:

<VARIANT>

INTEL  
CONFIDENTIAL

DOCUMENT\_NUMBER

<DOCUMENT\_NUMBER>

REV

0p9

PAGE

2/38

TABLE OF CONTENT & NOTES

TABLE OF CONTENTS

SHEET NO.	SHEET NAME
1	BLOCK DIAGRAM
2	POWER TREE
3	TABLE OF CONTENT & NOTES
4	SOC: MEMORY
5	SOC : CAMERA & DISPLAY
6	SOC: STORAGE AUDIO & SATA
7	SOC: USB & I2C
8	SOC : SPI UART GPIO MISC
9	SOC: GND
10	SOC: POWER1
11	SOC: POWER2
12	SOC: DECOUPLING
13	PMIC: SWITCHING REGULATORS
14	PMIC: LDOS
15	PMIC: HOST & MISC INTERFACES
16	PMIC: EXTERNAL REGULATORS
17	MEMORY DEVICE 0 & 1
18	MEMORY DEVICE 2 & 3
19	SPI NOR FLASH
20	EMMC
21	USB2
22	EXTERNAL CHARGER
23	SENSORS
24	MICRO-SD CONNECTOR
25	DISPLAY: BACKLIGHT CONTROLLER
26	DISPLAY & TOUCH CONNECTORS
27	CAMERAS - FRONT & REAR
28	BATTERY & DEBUG CONNECTOR
29	AUDIO CODEC
30	HEADSET JACK
31	SPEAKERS
32	MB SB CONNECTOR
33	WIFI_BT_MODULE
34	NFC
35	3G MODEM
36	GPS
37	FLASH_DRIVER
38	MFG TP'S, SHIELDS & MOUNTING HOLES
41	P0.5 TO P1.0 CHANGES

BPAGE DRAWING

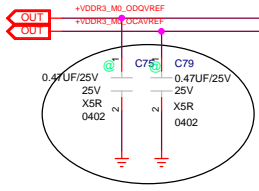
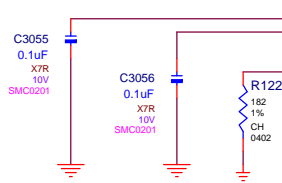
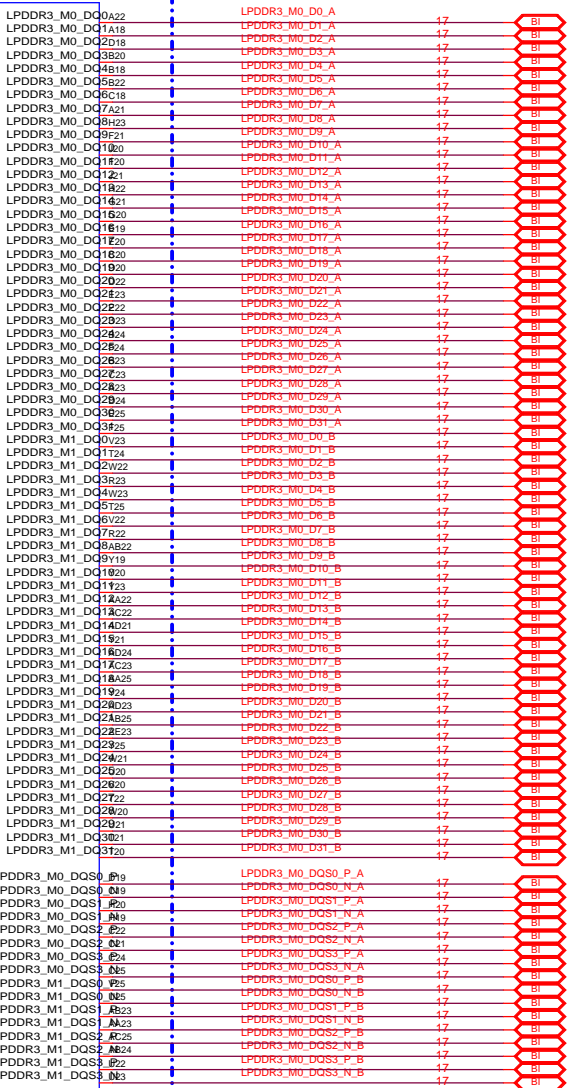
chl\_cr\_jrtd.s  
Mon Apr 27 05:43:17 2015

<b>CherryTrail -T</b>			
Title			
<b>03_TABLE</b>			
Size	Document Number	Rev	
Custom		V1.0	
Date:	Monday, August 28, 2017	Sheet	3 of 38

VARIANT:	INTEL	DOCUMENT_NUMBER	REV	PAGE
<VARIANT>	CONFIDENTIAL	<DOCUMENT_NUMBER>	0p9	3/38

JUST FOR LPDDR3

JUST FOR LPDDR3



CherryTrail -T	
Title	
04_MEMORY	
Size	Document Number
Custom	
Date	Rev
Friday, September 15, 2017	V1.0
Sheet	4 of 38

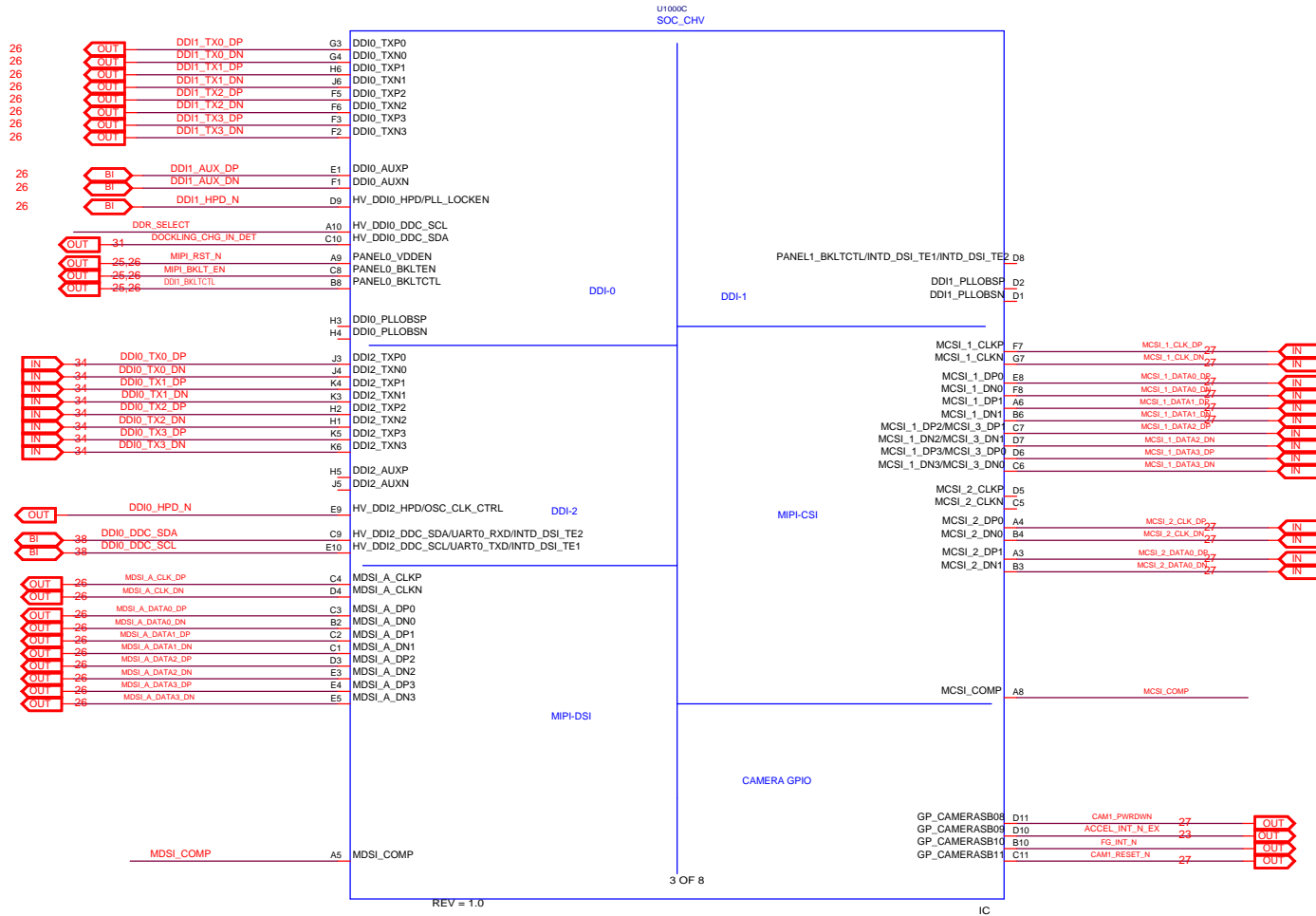
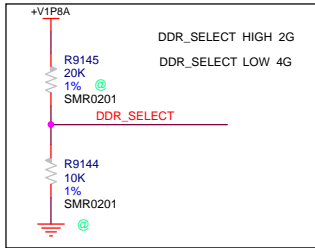
BPAGE DRAWING

VARIANT:	INTEL	DOCUMENT_NUMBER	REV	PAGE
<VARIANT>	CONFIDENTIAL	<DOCUMENT_NUMBER>	0p9	4/38

# SOC:CAMERA & DISPLAY

## EDP SIGNALS

TP'S TO BE PLACED NEAR DISP CONNECTOR



## HDMI SIGNALS

TP'S TO BE PLACED NEAR DISP CONNECTOR 34

<b>CherryTrail -T</b>	
Title	
05_SOC_CAMERA & DISPLAY	
Size	Document Number
Custom	
Date:	Rev
Friday, September 15, 2017	V1.0
Sheet	of
5	38

INTEL CONFIDENTIAL - INTERNAL ONLY

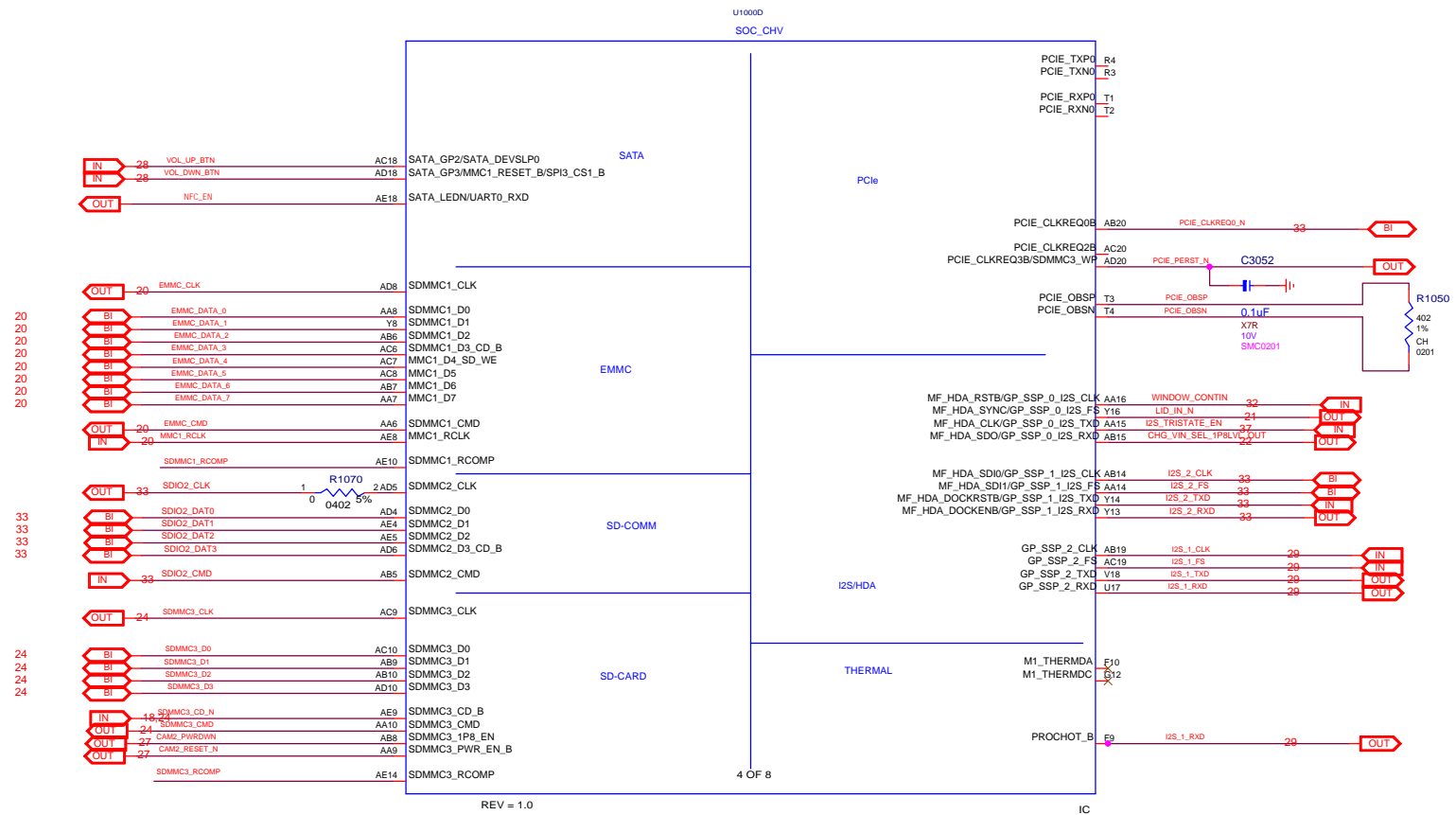
BPAGE DRAWING

SOC DISPLAY CAMERA

cherrytrail\_gnd  
Mon Apr 27 05:44:11 2015

VARIANT:	INTEL	DOCUMENT_NUMBER	REV	PAGE
<VARIANT>	CONFIDENTIAL	<DOCUMENT_NUMBER>	0p9	5/38

# SOC:STORAGE,AUDIO & SATA



INTEL CONFIDENTIAL - INTERNAL ONLY

<b>CherryTrail -T</b>			
Title			
<b>06_SOC_STORAGE AUDIO &amp; SATA</b>			
Size	Document Number	Rev	
Custom		V1.0	
Date:	Friday, September 15, 2017	Sheet	6 of 38

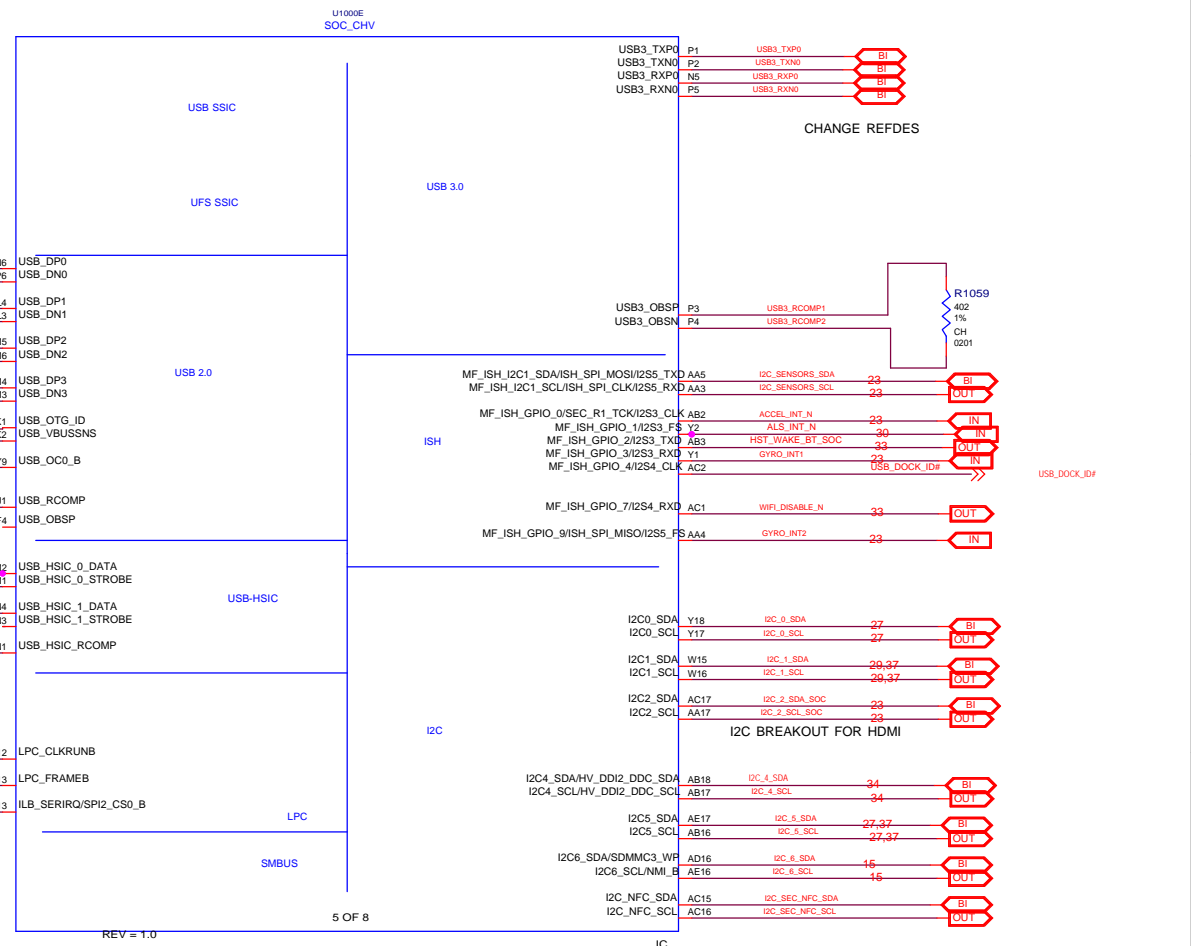
BPAGE DRAWING

SOC STORAGE I2S

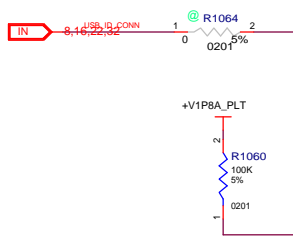
VARIANT: <VARIANT>	INTEL CONFIDENTIAL	DOCUMENT_NUMBER <DOCUMENT_NUMBER>	REV 0p9	PAGE 6/38
-----------------------	-----------------------	--------------------------------------	------------	--------------

# SOC:USB & I2C

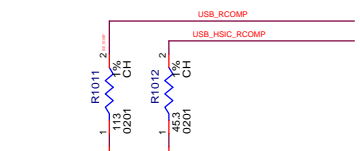
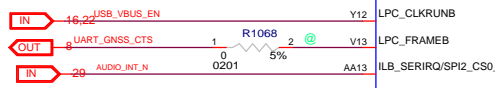
CAD NOTE:  
TEST POINTS AND COMPONENTS  
ON SOC PAGES SHOULD BE PLACED CLOSE TO RELEVANT COMPONENTS



VBUS\_DIV AND OTG  
MIGHT NOT BE SUPPORTED



IN WINDOWS, OC HAS TO GO AS GPIO



INTEL CONFIDENTIAL - INTERNAL ONLY

I2C MAPPING TABLE

- I2C\_0 - CAMERA
- I2C\_1 - AUDIO,DEBUG,CHARGER,FG
- I2C\_2 - SENSORS
- I2C\_4 - NFC AND HDMI
- I2C\_5 - TOUCH
- I2C\_6 - PMIC

CherryTrail -T			
Title			
07_SOC_USB & I2C			
Size	Document Number	Rev	
Custom		V1.0	
Date:	Friday, September 15, 2017	Sheet	7 of 38

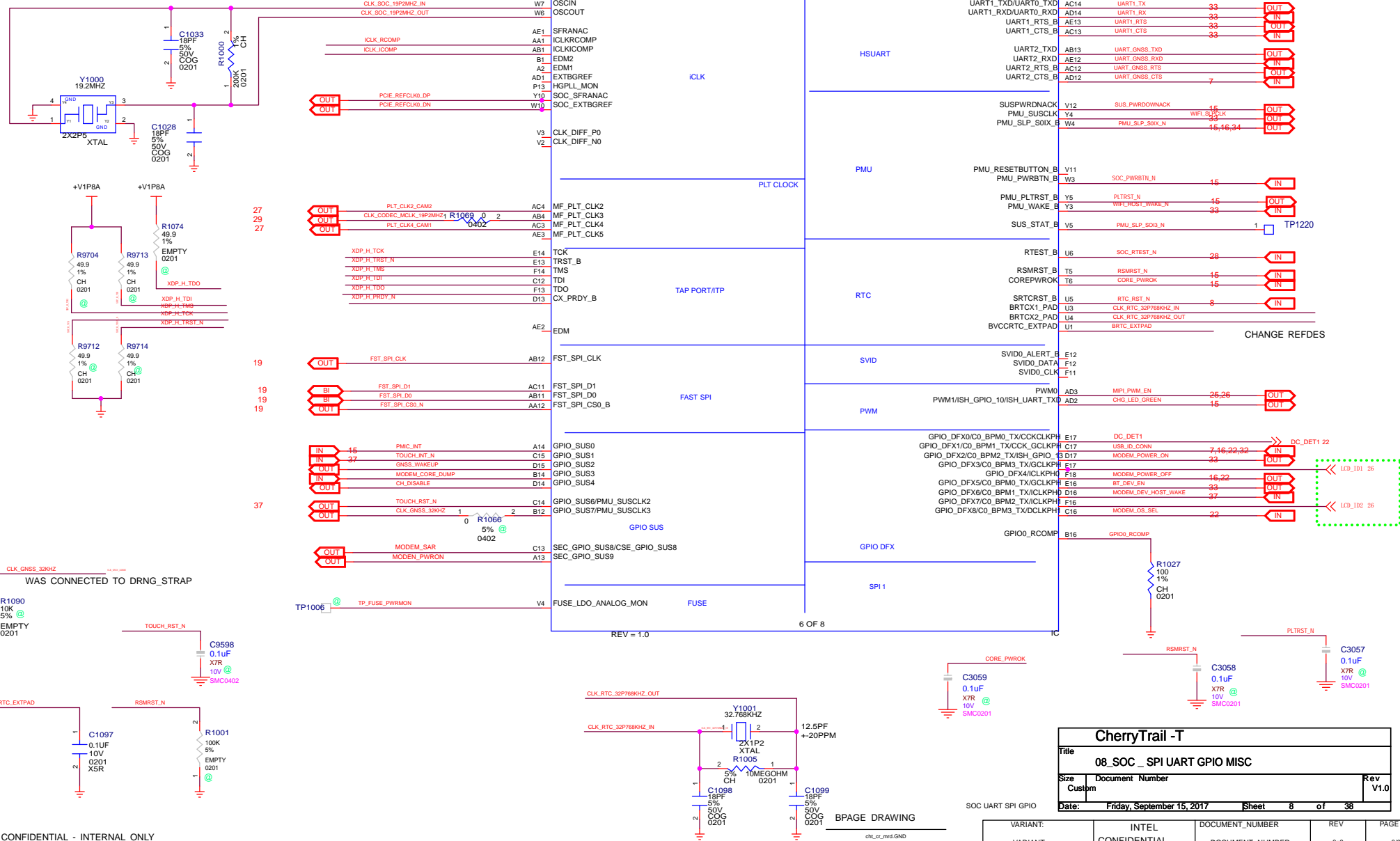
BPAGE DRAWING

09137\_0101.DWG  
Mon Apr 27 09:44:12 2015

VARIANT:	INTEL	DOCUMENT_NUMBER	REV	PAGE
<VARIANT>	CONFIDENTIAL	<DOCUMENT_NUMBER>	0p9	7/38

SOC USB I2C GPIO

# SOC:SPI,UART,GPIO,MISC



<b>CherryTrail -T</b>			
Title	08_SOC_SPI UART GPIO MISC		
Size	Document Number	Rev	
Custom		V1.0	
Date:	Friday, September 15, 2017	Sheet	8 of 38

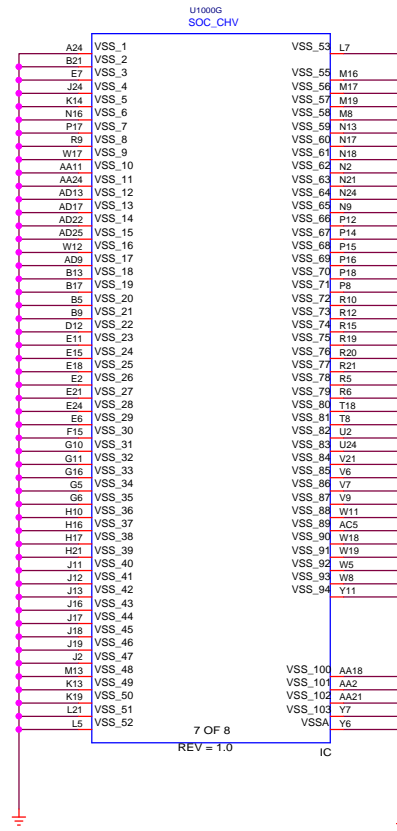
VARIANT:	INTEL	DOCUMENT_NUMBER	REV	PAGE
<VARIANT>	CONFIDENTIAL	<DOCUMENT_NUMBER>	0p9	8/38

INTEL CONFIDENTIAL - INTERNAL ONLY

BPAGE DRAWING  
© Intel, 1988-2015  
 Mon Apr 27 06:44:12 2015



# SOC: GND



<b>CherryTrail -T</b>			
Title			
09_SOC_GND			
Size	Document Number		Rev
Custom			V1.0
Date:	Monday, August 28, 2017	Sheet	9 of 38

INTEL CONFIDENTIAL - INTERNAL ONLY

BPAGE DRAWING

09L\_01\_0918.GND  
Mon Apr 27 05:44:12 2015

SOC GND

VARIANT: <VARIANT>	INTEL CONFIDENTIAL	DOCUMENT_NUMBER <DOCUMENT_NUMBER>	REV 0p9	PAGE 9/38
-----------------------	-----------------------	--------------------------------------	------------	--------------

8

7

6

5

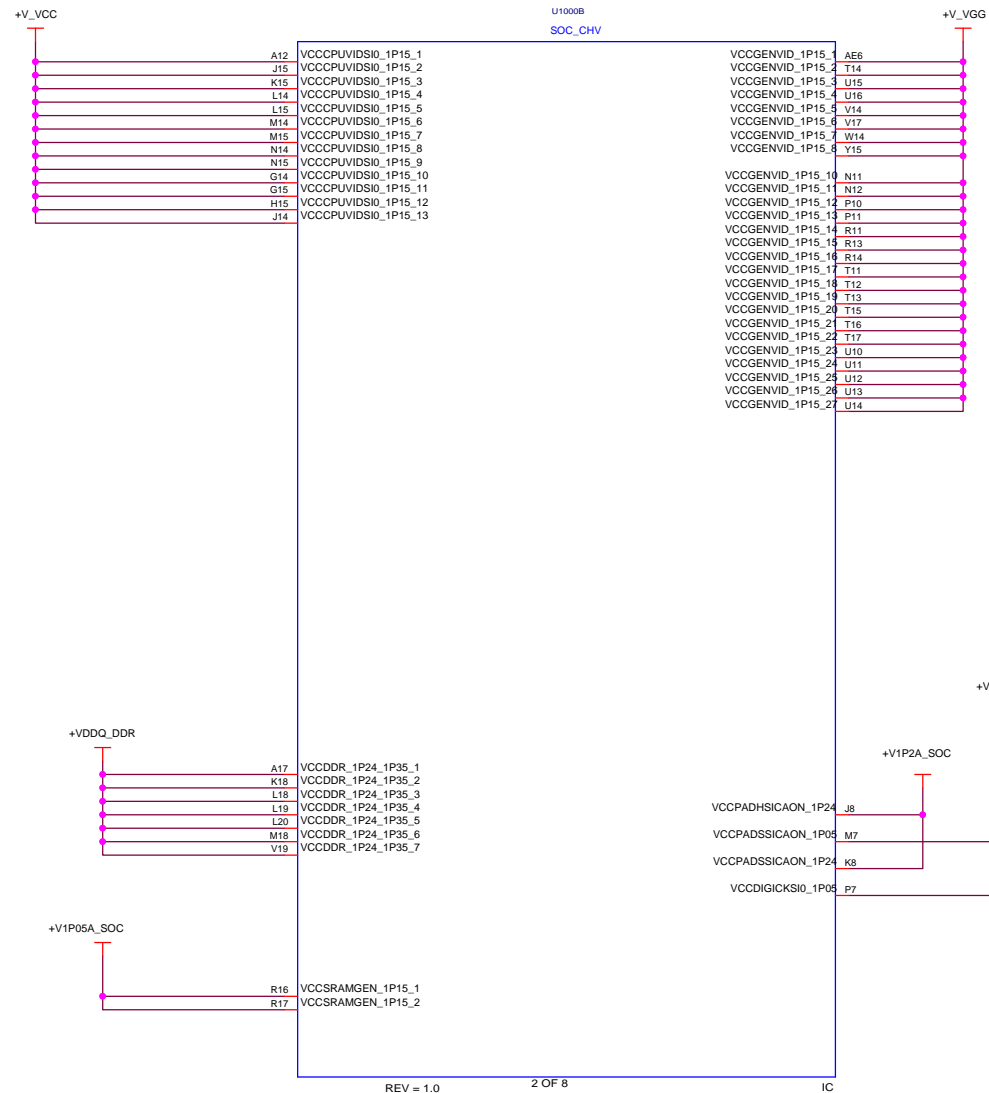
4

3

2

1

# SOC: POWER1



<b>CherryTrail -T</b>			
Title 10_SOC_POWER1			
Size Custom	Document Number		Rev V1.0
Date: Friday, September 15, 2017	Sheet 10	of 38	

INTEL CONFIDENTIAL - INTERNAL ONLY

BPAGE DRAWING

cht\_cr\_msd+V\_VCC.10  
Mon Apr 27 05:44:13 2015

SOC POWER

VARIANT: <VARIANT>	INTEL CONFIDENTIAL	DOCUMENT_NUMBER <DOCUMENT_NUMBER>	REV 0p9	PAGE 10/38
-----------------------	-----------------------	--------------------------------------	------------	---------------

8

7

6

5

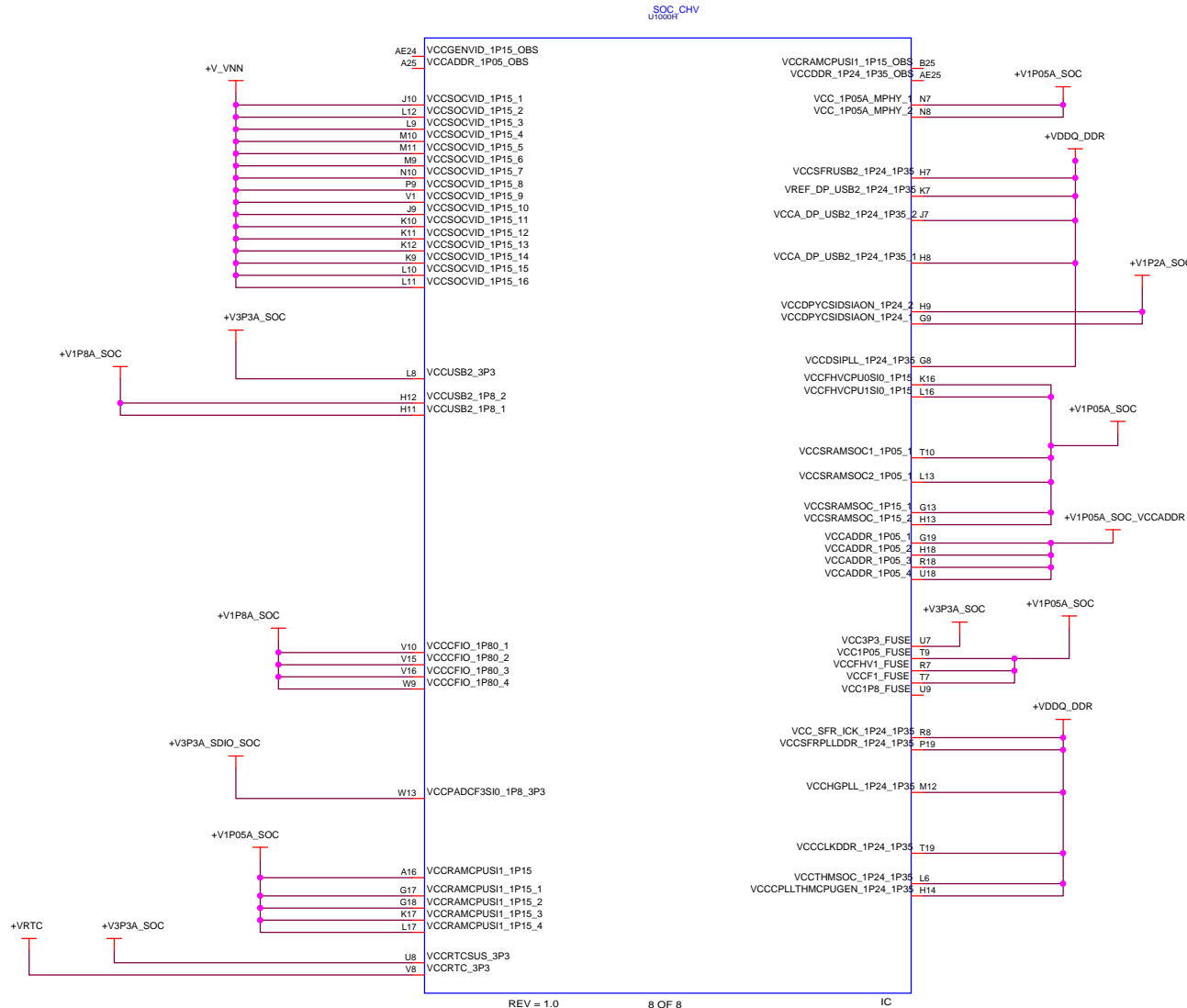
4

3

2

1

# SOC: POWER2



REV = 1.0 8 OF 8 IC

<b>CherryTrail -T</b>			
Title			
11_SOC_POWER2			
Size	Document Number		Rev
Custom			V1.0
Date:	Friday, September 15, 2017	Sheet	11 of 38

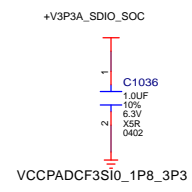
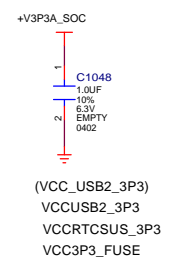
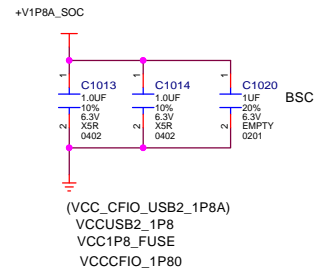
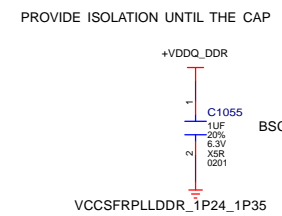
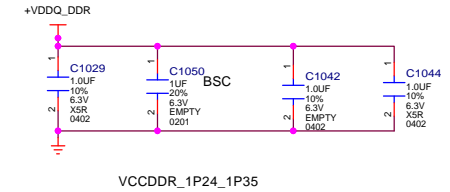
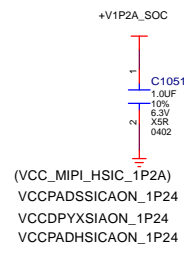
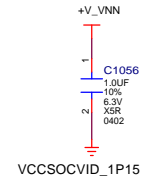
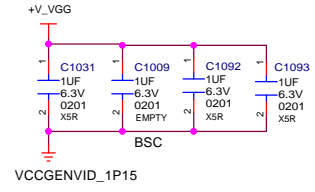
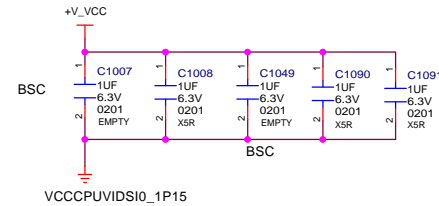
INTEL CONFIDENTIAL - INTERNAL ONLY

BPAGE DRAWING

016\_01\_m04-v11P8\_11  
Mon Apr 27 06:44:13 2015

SOC POWER2				
VARIANT:	INTEL	DOCUMENT_NUMBER	REV	PAGE
<VARIANT>	CONFIDENTIAL	<DOCUMENT_NUMBER>	0p9	11/38

# SOC:DECOUPLING



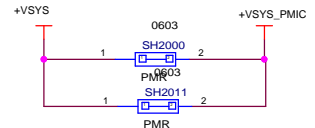
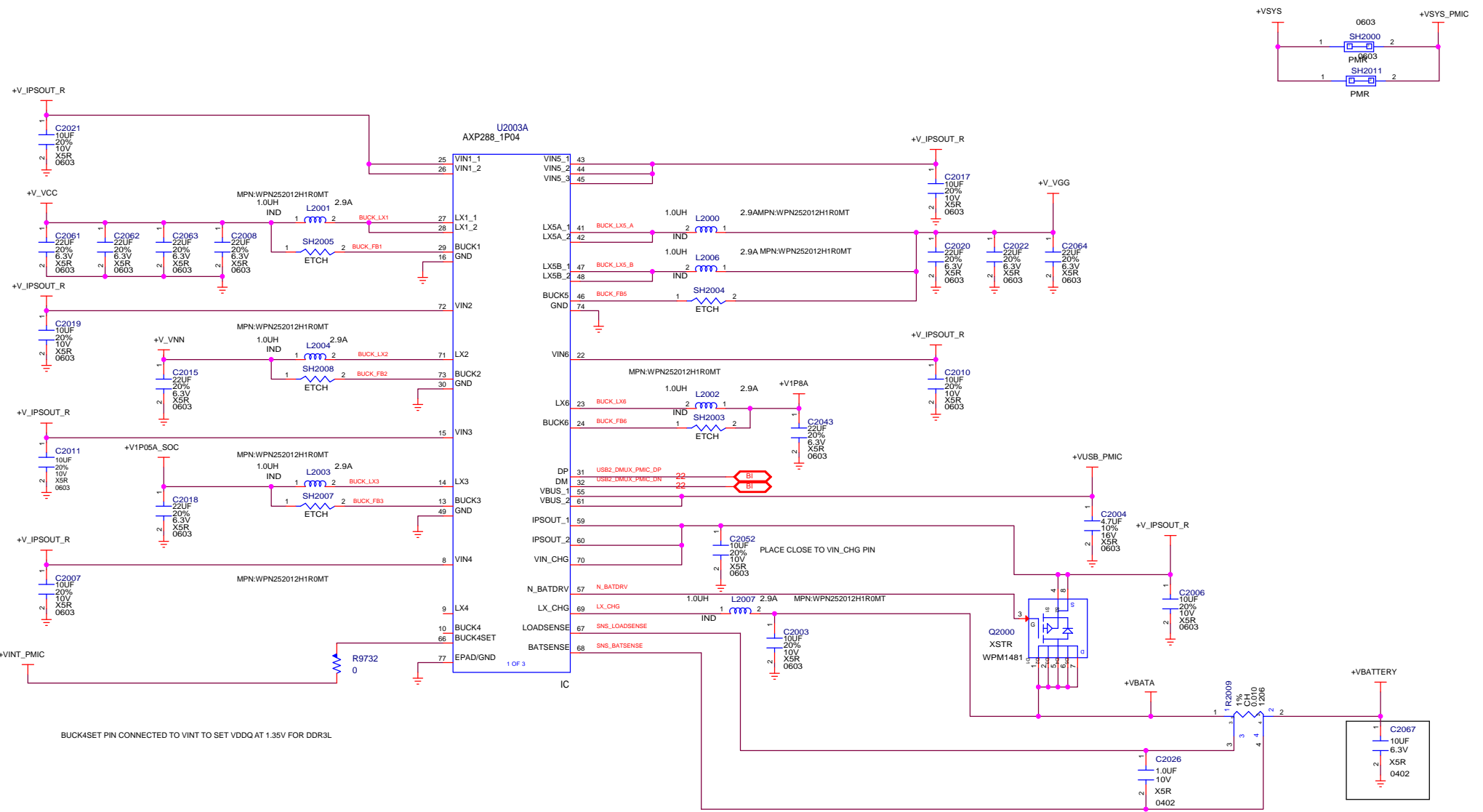
<b>CherryTrail -T</b>			
Title <b>12_SOC_DECOUPLING</b>			
Size Custom	Document Number		Rev V1.0
Date: Friday, September 15, 2017	Sheet 12	of 38	

BPAGE DRAWING

cht\_cr\_mtd-V1P0\_12  
Mon Apr 27 05:44:14 2015

VARIANT: <VARIANT>	INTEL CONFIDENTIAL	DOCUMENT_NUMBER <DOCUMENT_NUMBER>	REV 0p9	PAGE 12/38
-----------------------	-----------------------	--------------------------------------	------------	---------------

# PMIC: SWITCHING REGULATORS



## CherryTrail -T

Title		
13_PMIC_SWITCHING REGULATORS		
Size	Document Number	Rev
Custom		V1.0
Date:	Friday, September 15, 2017	Sheet 13 of 38

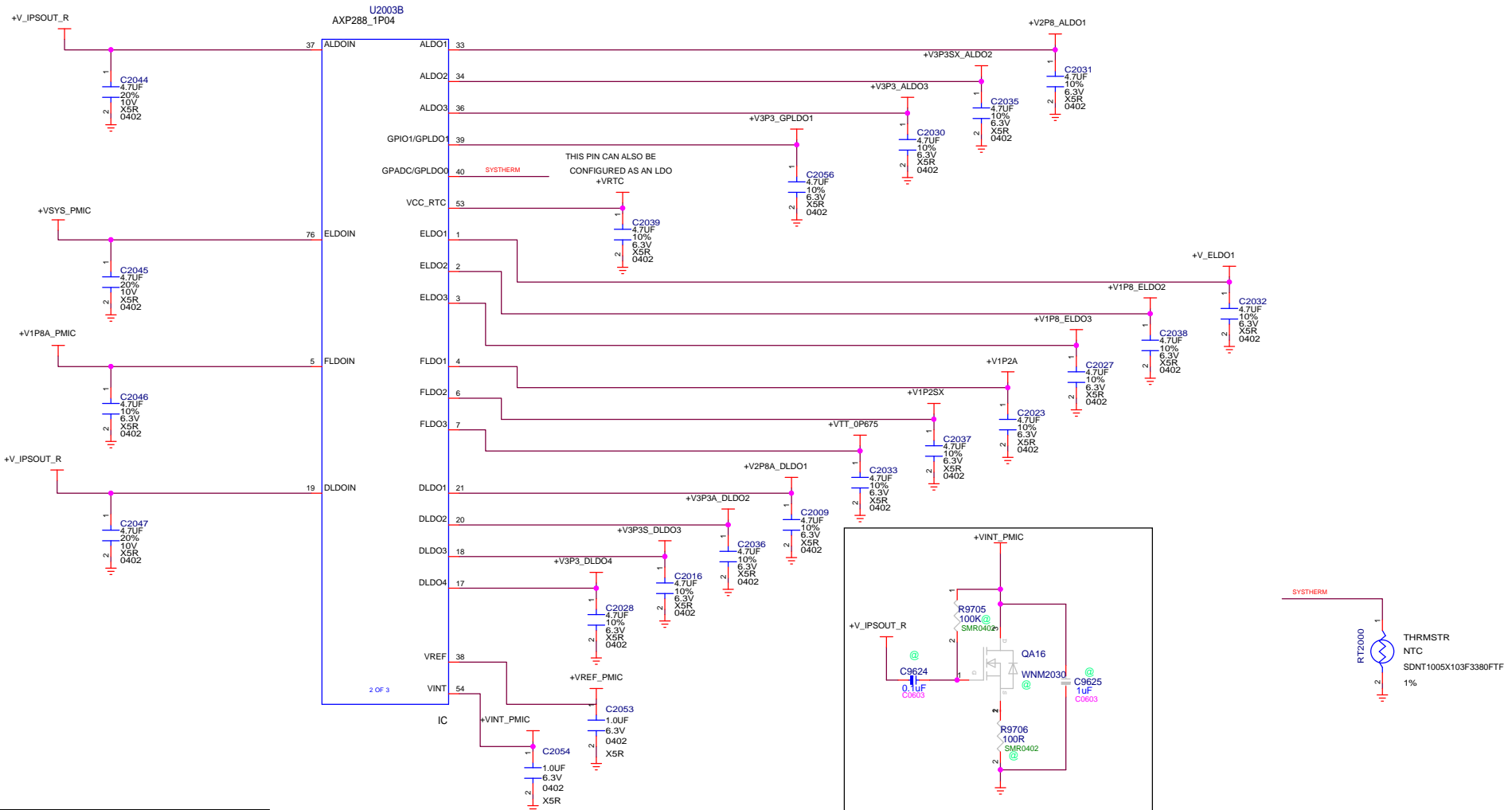
PLACE ZENER CLOSER TO PIN70(VIN\_CHG)

BPAGE DRAWING

cht\_cr\_intel+VDDQ.13  
Mon Apr 27 06:44:15 2015

VARIANT:	INTEL	DOCUMENT_NUMBER	REV	PAGE
<VARIANT>	CONFIDENTIAL	<DOCUMENT_NUMBER>	0p9	13/38

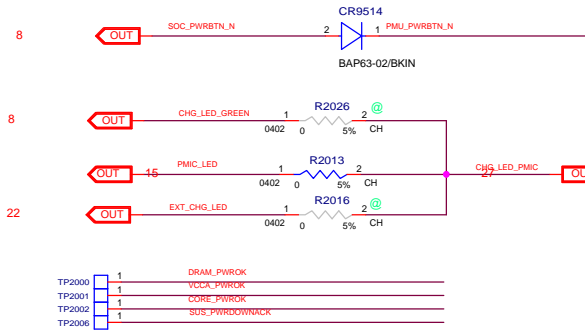
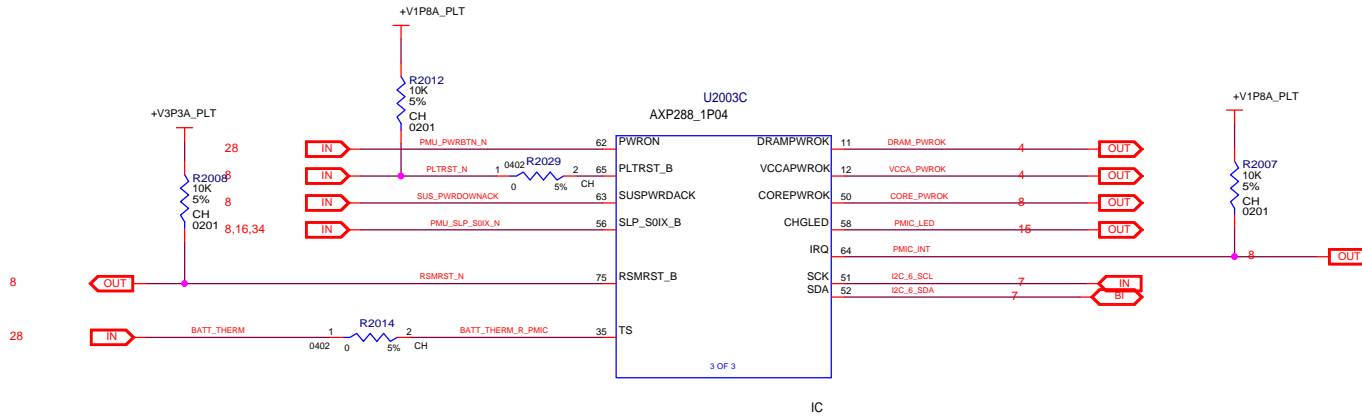
PMIC: LDOS



CherryTrail -T	
Title 14_PMIC_LDOS	
Size Custom	Document Number Rev V1.0
Date: Friday, September 15, 2017	Sheet 14 of 38

BPAGE DRAWING	VARIANT: <VARIANT>	INTEL CONFIDENTIAL	DOCUMENT_NUMBER <DOCUMENT_NUMBER>	REV Op9	PAGE 14/38
---------------	-----------------------	-----------------------	--------------------------------------	------------	---------------

# PMIC: HOST & MISC INTERFACES



TP2000	1	DRAM_PWROK
TP2001	1	VCCA_PWROK
TP2002	1	CORE_PWROK
TP2006	1	SUS_PWRDOWNACK

CherryTrail -T			
Title			
15_PMIC_HOST & MISC INTERFACES			
Size	Document Number		Rev
Custom			V1.0
Date:	Friday, September 15, 2017	Sheet	15 of 38

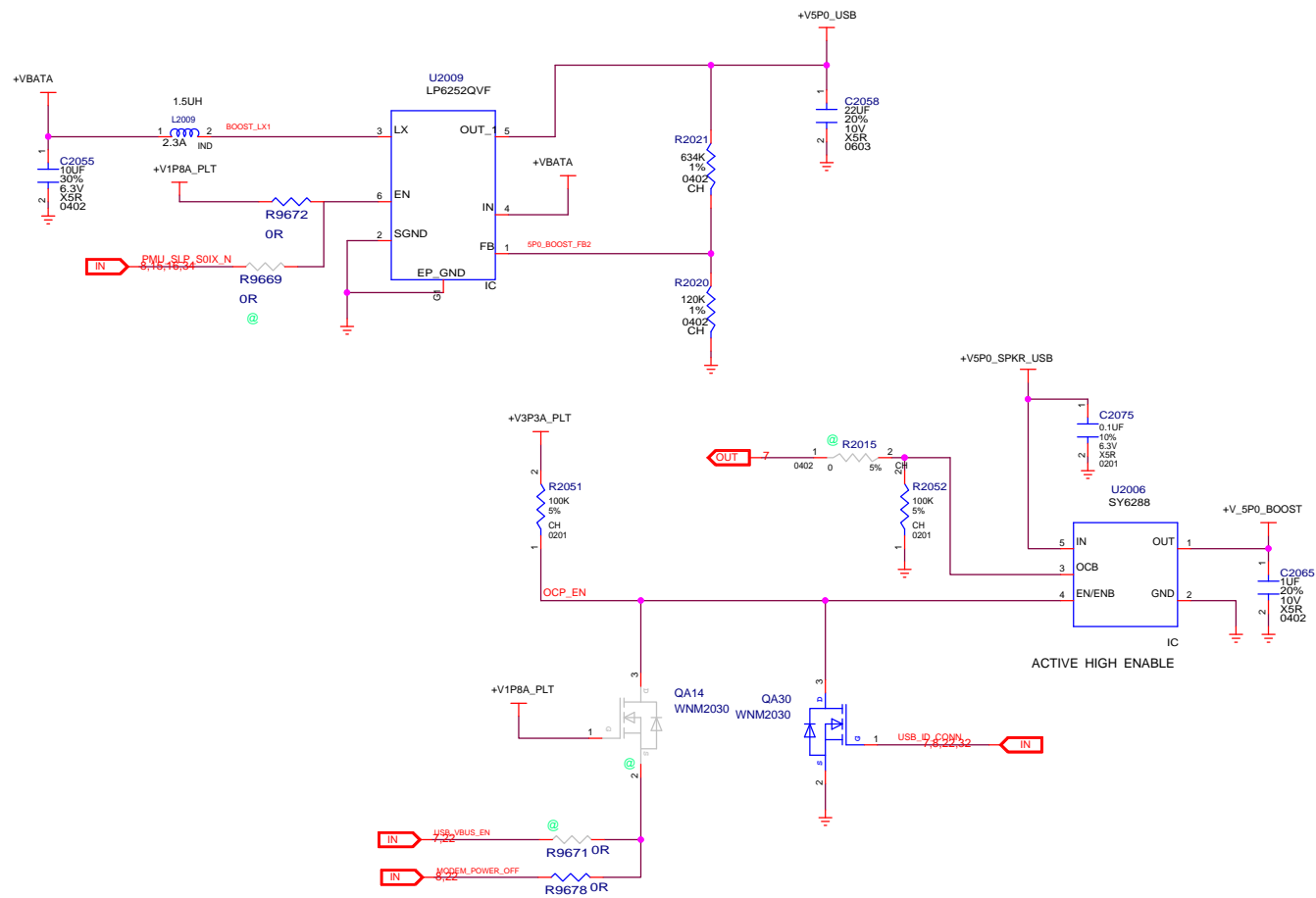
BPAGE DRAWING

ch\_ct\_mtd-V3P3.15  
Mon Apr 27 05:44:15 2015

VARIANT:	INTEL	DOCUMENT_NUMBER	REV	PAGE
<VARIANT>	CONFIDENTIAL	<DOCUMENT_NUMBER>	0p9	15/38

# PMIC: EXTERNAL REGULATORS

## 5V BOOST USB IN USB HOST MODE



CherryTrail -T			
Title			
16_PMIC_EXTERNAL REGULATORS			
Size	Document Number	Rev	
Custom		V1.0	
Date:	Friday, September 15, 2017	Sheet	16 of 38

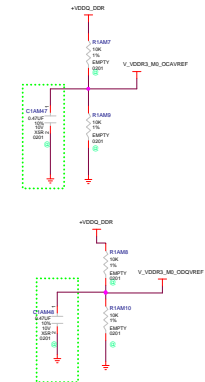
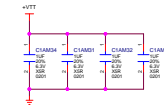
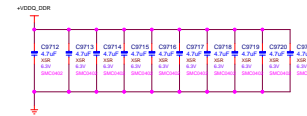
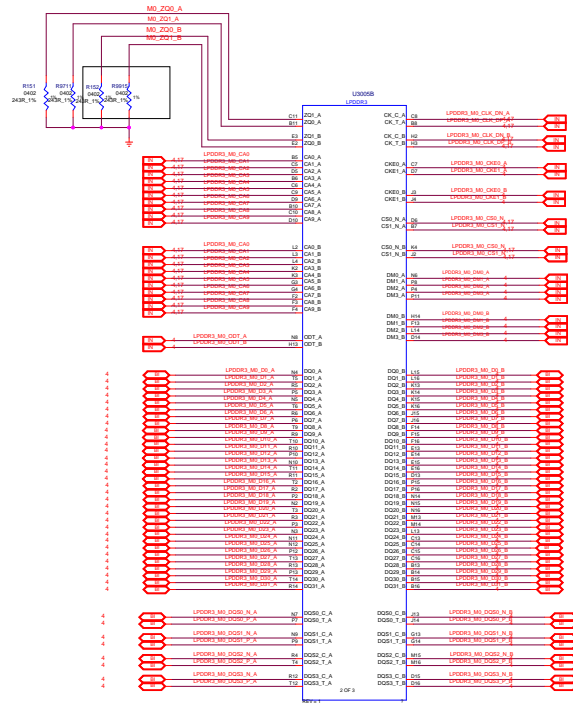
BPAGE DRAWING

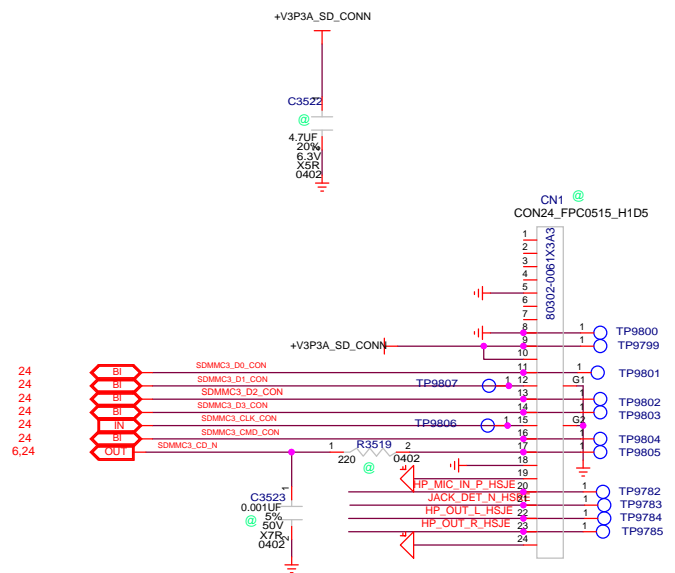
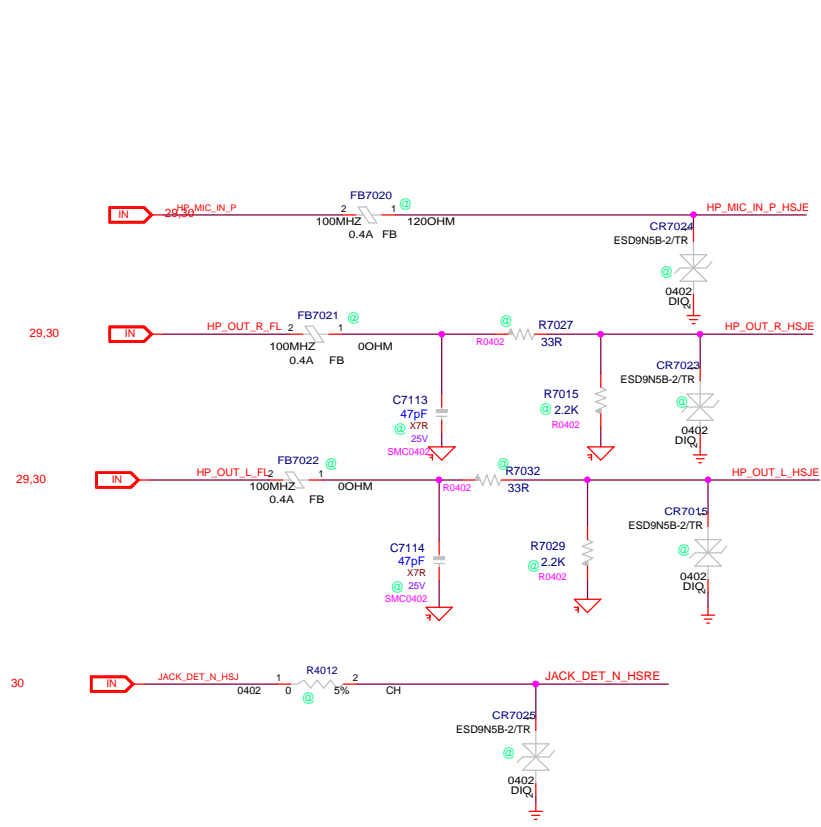
dht\_cr\_mrd.GND  
Mon Apr 27 05:44:16 2015

VARIANT:	INTEL	DOCUMENT_NUMBER	REV	PAGE
<VARIANT>	CONFIDENTIAL	<DOCUMENT_NUMBER>	0p9	16/38



10	LPDDR3_M0_C0A	LPDDR3_M0_C0B	10
11	LPDDR3_M0_C0T	LPDDR3_M0_C0L	11
12	LPDDR3_M0_C0A	LPDDR3_M0_C0B	12
13	LPDDR3_M0_C0T	LPDDR3_M0_C0L	13
14	LPDDR3_M0_C0A	LPDDR3_M0_C0B	14
15	LPDDR3_M0_C0T	LPDDR3_M0_C0L	15
16	LPDDR3_M0_C0A	LPDDR3_M0_C0B	16
17	LPDDR3_M0_C0T	LPDDR3_M0_C0L	17
18	LPDDR3_M0_C0A	LPDDR3_M0_C0B	18
19	LPDDR3_M0_C0T	LPDDR3_M0_C0L	19
20	LPDDR3_M0_C0A	LPDDR3_M0_C0B	20
21	LPDDR3_M0_C0T	LPDDR3_M0_C0L	21
22	LPDDR3_M0_C0A	LPDDR3_M0_C0B	22
23	LPDDR3_M0_C0T	LPDDR3_M0_C0L	23
24	LPDDR3_M0_C0A	LPDDR3_M0_C0B	24
25	LPDDR3_M0_C0T	LPDDR3_M0_C0L	25
26	LPDDR3_M0_C0A	LPDDR3_M0_C0B	26
27	LPDDR3_M0_C0T	LPDDR3_M0_C0L	27
28	LPDDR3_M0_C0A	LPDDR3_M0_C0B	28
29	LPDDR3_M0_C0T	LPDDR3_M0_C0L	29
30	LPDDR3_M0_C0A	LPDDR3_M0_C0B	30
31	LPDDR3_M0_C0T	LPDDR3_M0_C0L	31

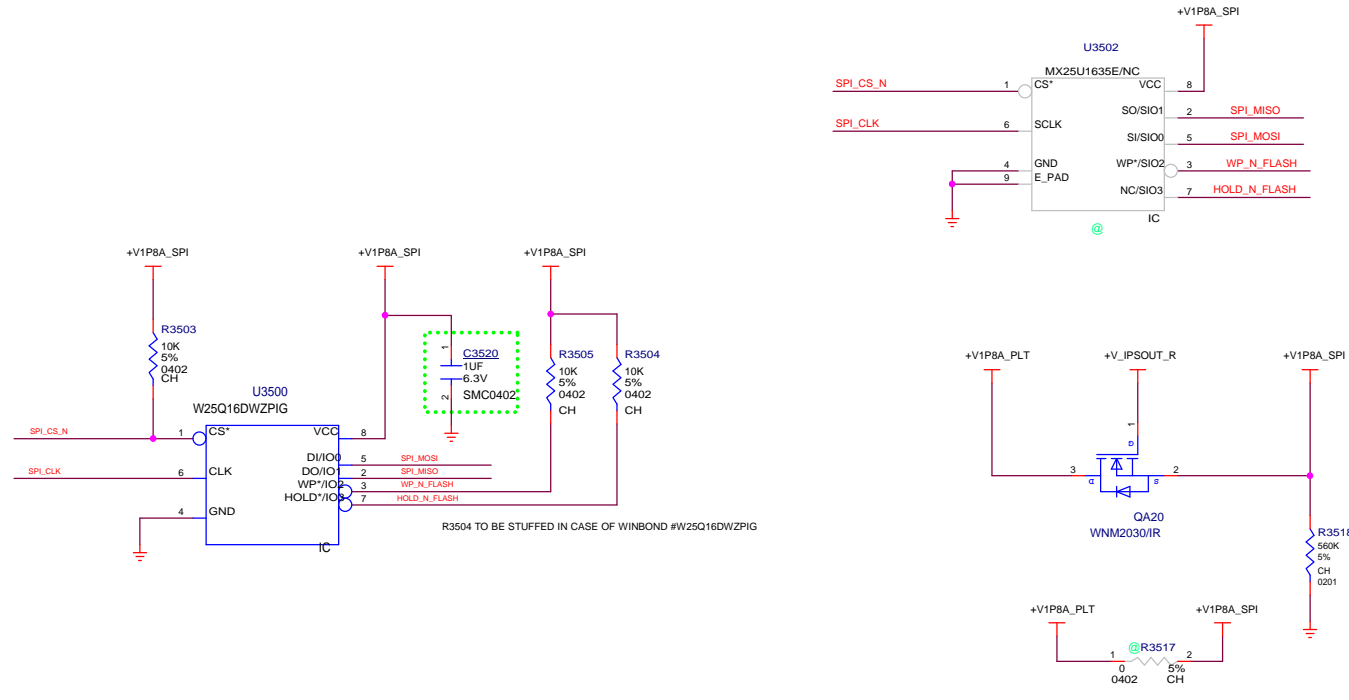




<b>CherryTrail -T</b>			
Title			
18_MEMORY DEVICE			
Size	Document Number	Rev	
Custom		V1.0	
Date:	Monday, August 28, 2017	Sheet	18 of 38

VARIANT:	INTEL	DOCUMENT_NUMBER	REV	PAGE
<VARIANT>	CONFIDENTIAL	<DOCUMENT_NUMBER>	0p9	18/38

SPI NOR FLASH

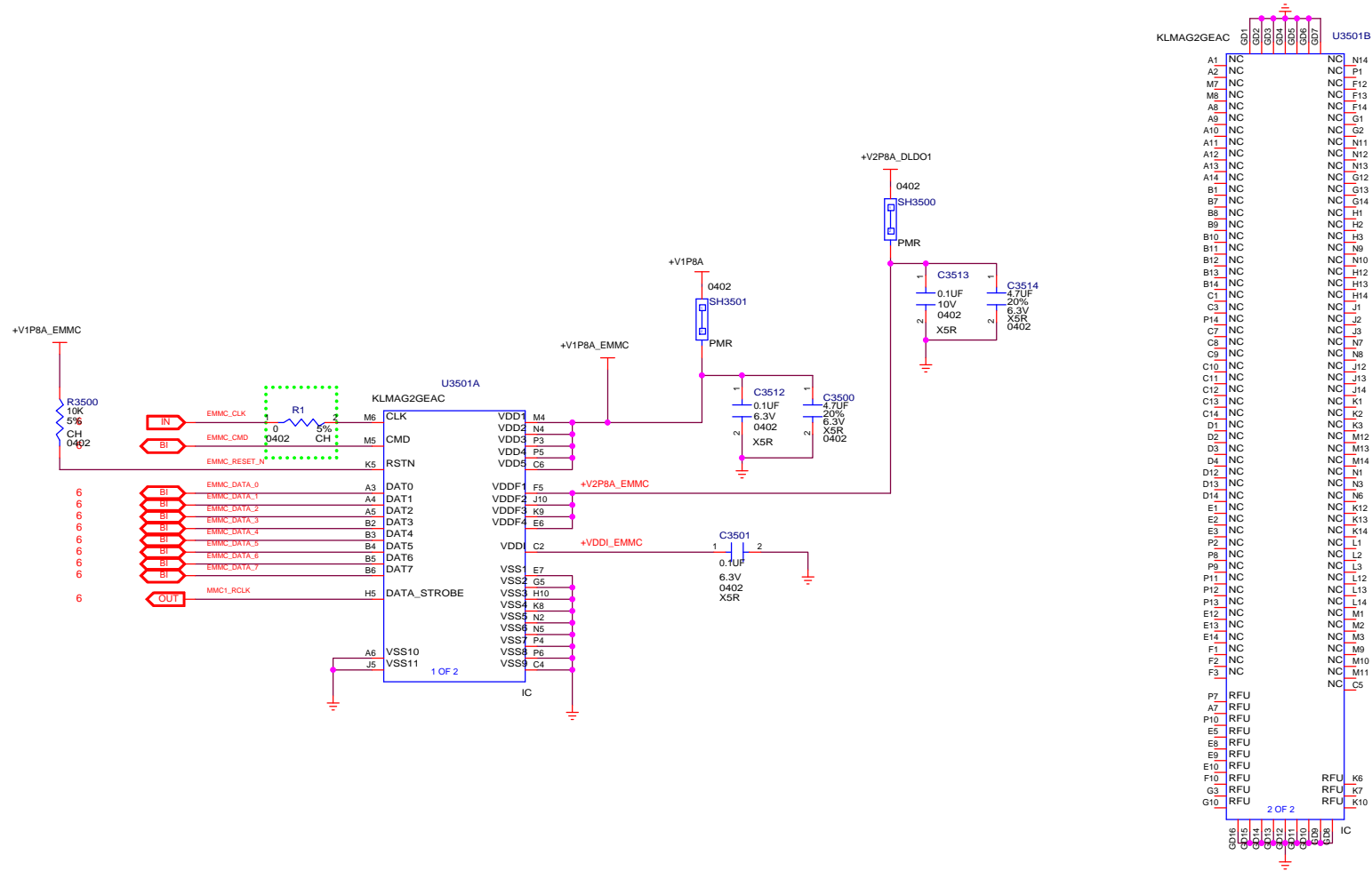


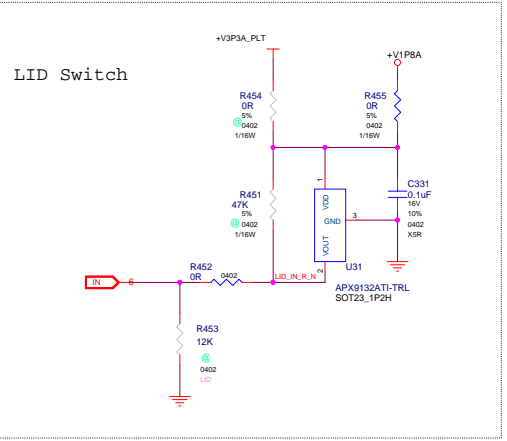
<b>CherryTrail -T</b>		
Title		
19_SPI NOR FLASH		
Size	Document Number	Rev
Custom		V1.0
Date:	Friday, September 15, 2017	Sheet 19 of 38

BPAGE DRAWING  
 CHL-D\_1918.GND  
 Mon Apr 27 05:44:17 2015

VARIANT:	INTEL	DOCUMENT_NUMBER	REV	PAGE
<VARIANT>	CONFIDENTIAL	<DOCUMENT_NUMBER>	0p9	19/38

# EMMC



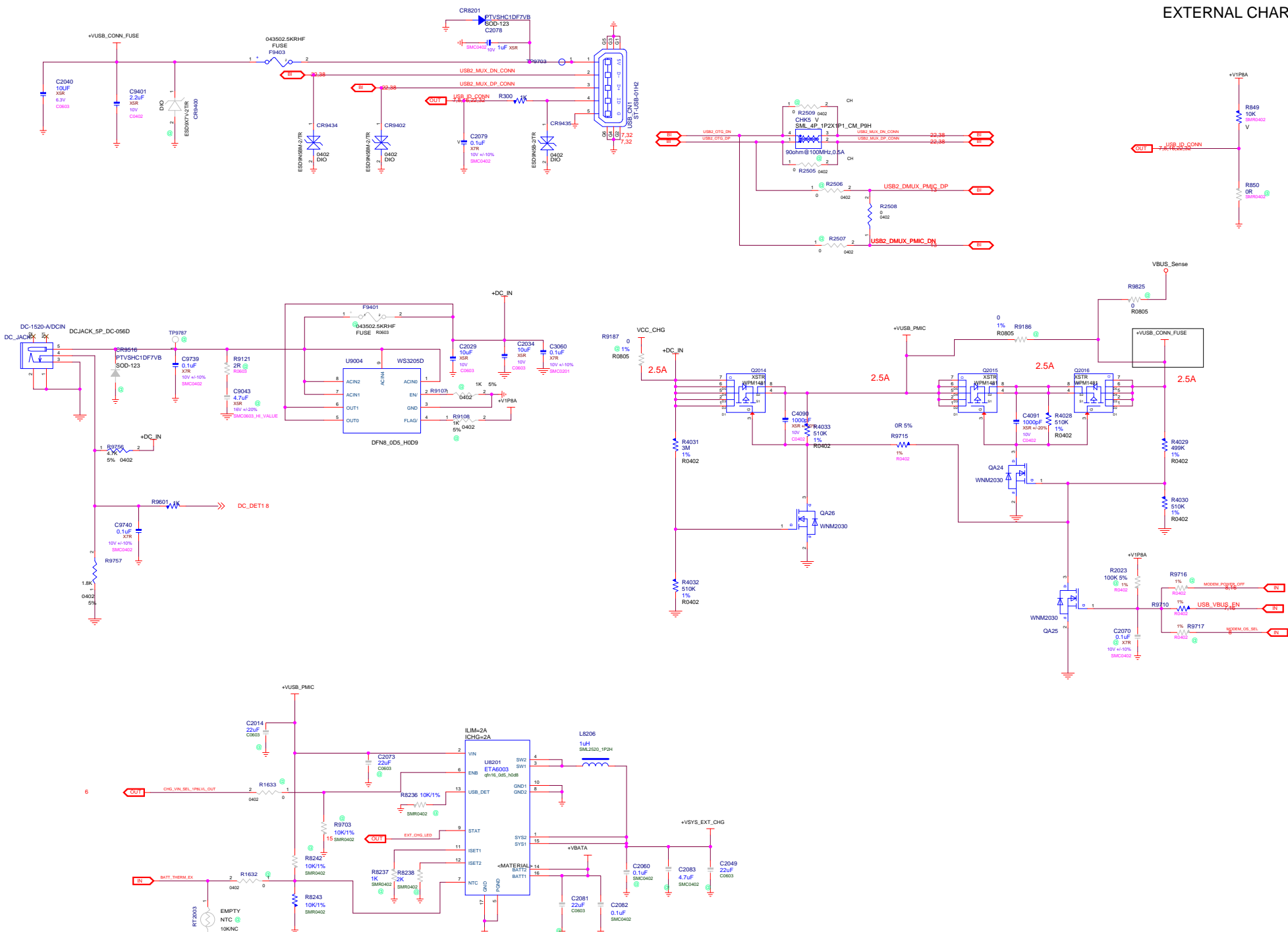


LID Switch

<b>CherryTrail -T</b>			
File			
21_USB2			
Size C Document Number			Rev V1.0
Date: SOC Monday, August 28, 2017 Sheet 21 of 38			

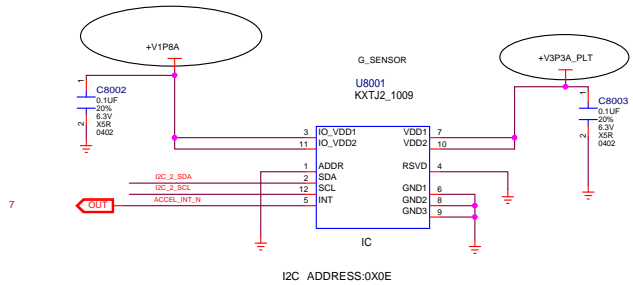
VARIANT:	INTEL	DOCUMENT_NUMBER	REV	PAGE
<VARIANT>	CONFIDENTIAL	<DOCUMENT_NUMBER>	0p9	21/38

# EXTERNAL CHARGER

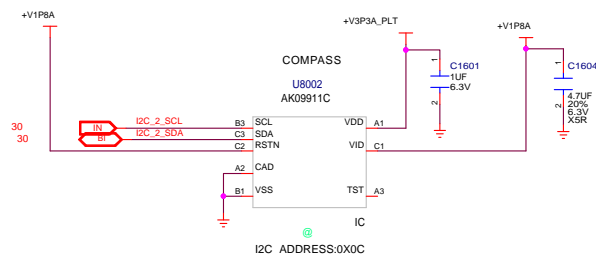


CherryTrail -T			
Title	22_EXTERNAL CHARGER		
Size	Document Number		Rev
Customer			V1.0
Date:	Monday, August 28, 2017	Sheet	22 of 38

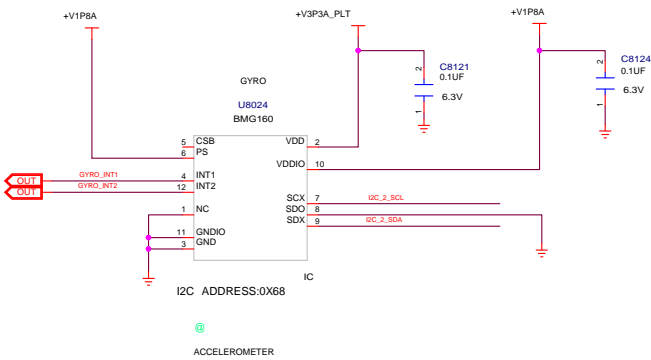
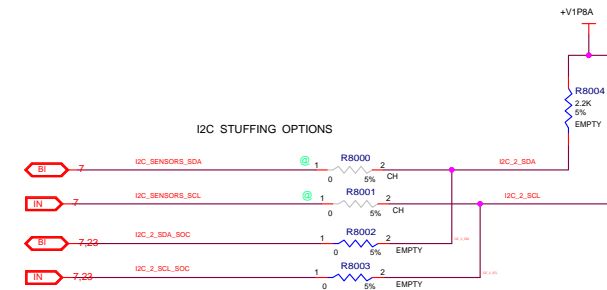
**SENSORS**



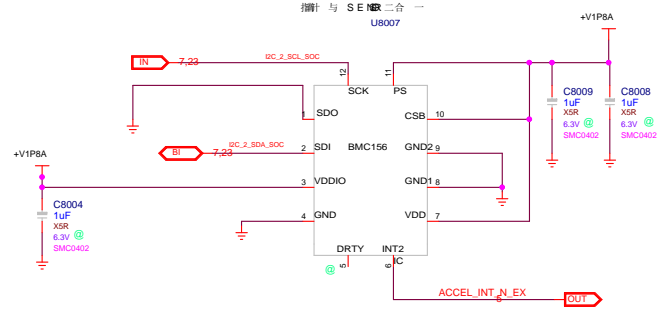
**SAR PROXIMITY SENSOR**



**I2C STUFFING OPTIONS**



**指針与SENER二合一**  
U8007



I2C ADDRESS:0X0F

BPAGE DRAWING

Doc ID: 3943-1/REV.23  
Mon Aug 27 05:44:18 2016

VARIANT: <VARIANT>	INTEL CONFIDENTIAL	DOCUMENT_NUMBER <DOCUMENT_NUMBER>	REV 0p9	DATE Monday, August 28, 2017	SHEET 23 of 38
-----------------------	-----------------------	--------------------------------------	------------	---------------------------------	-------------------

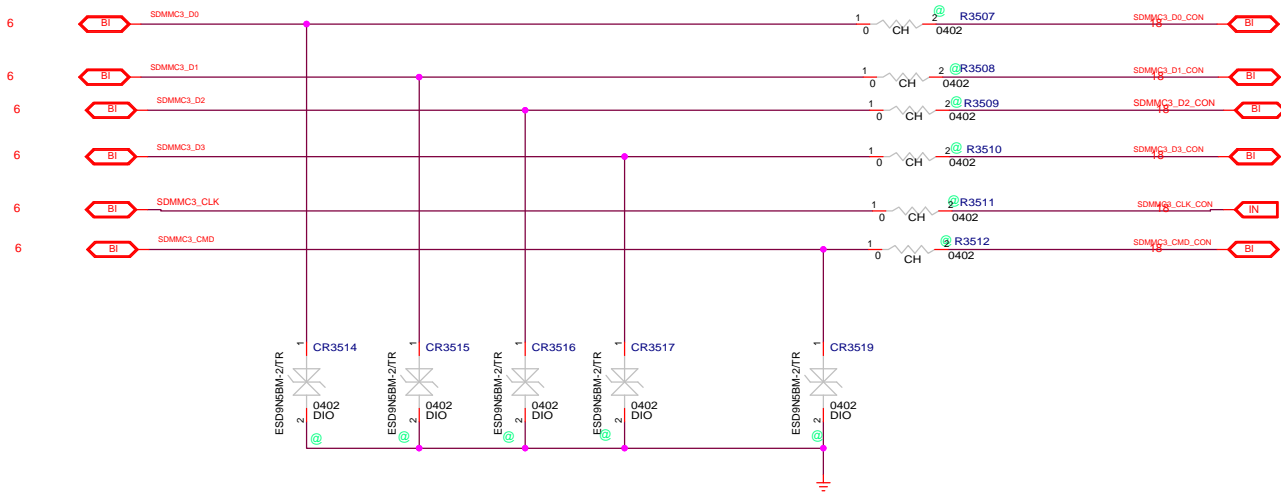
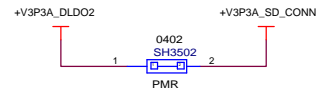
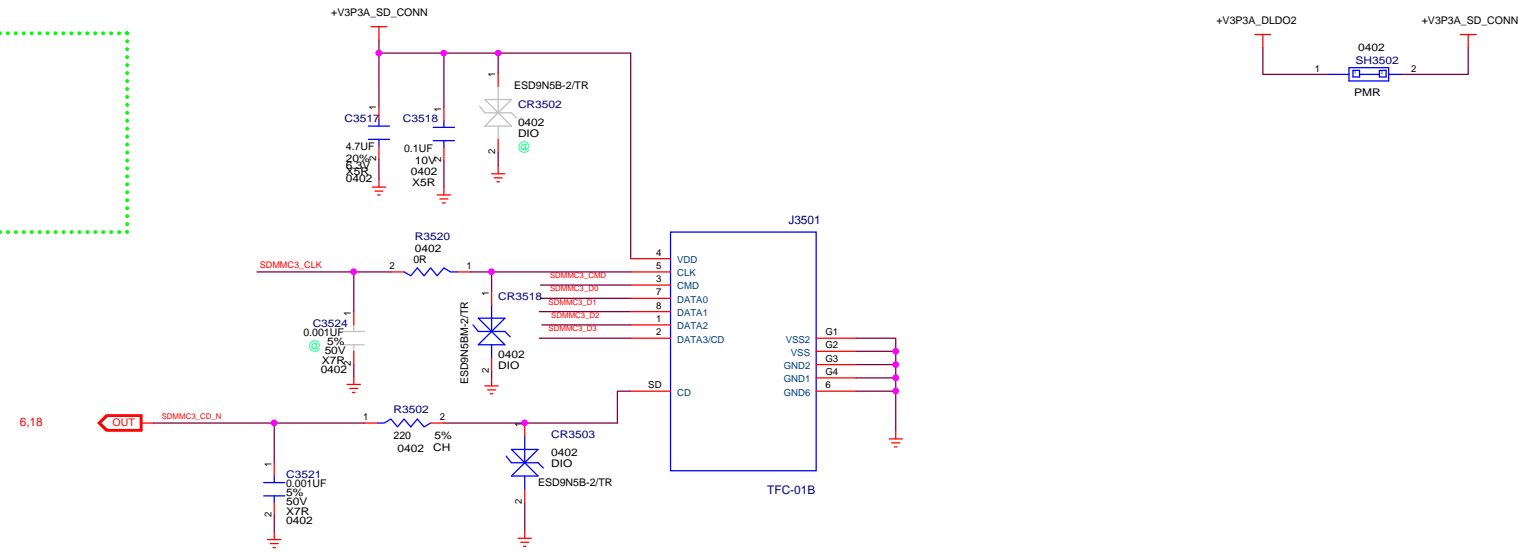
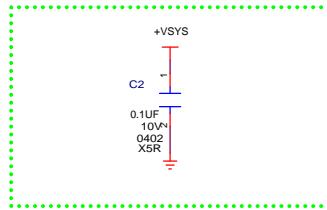
**CherryTrail -T**

23\_SENSORS

Document Number

Rev V1.0

MICRO-SD CONNECTOR



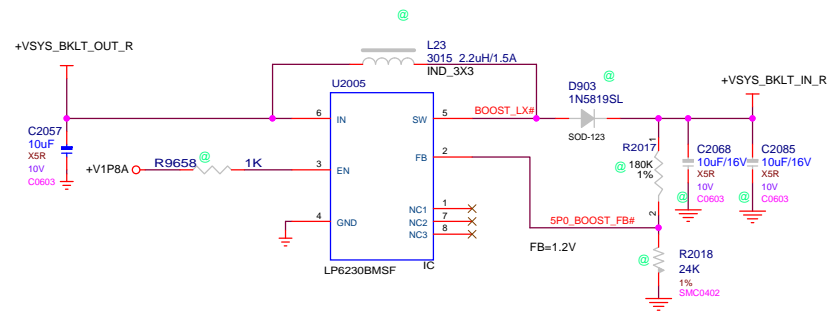
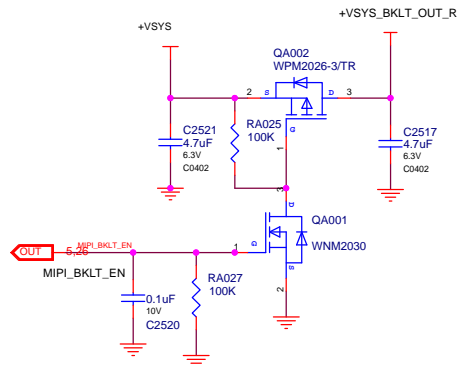
CherryTrail -T		
Title 24_MICRO-SD CONNECTOR		
Size Custom	Document Number	Rev V1.0
Date: Monday, August 28, 2017	Sheet 24 of 38	

BPAGE DRAWING  
chtr\_or\_mtd+V3P3\_24  
 Mon Apr 27 05:44:19 2015

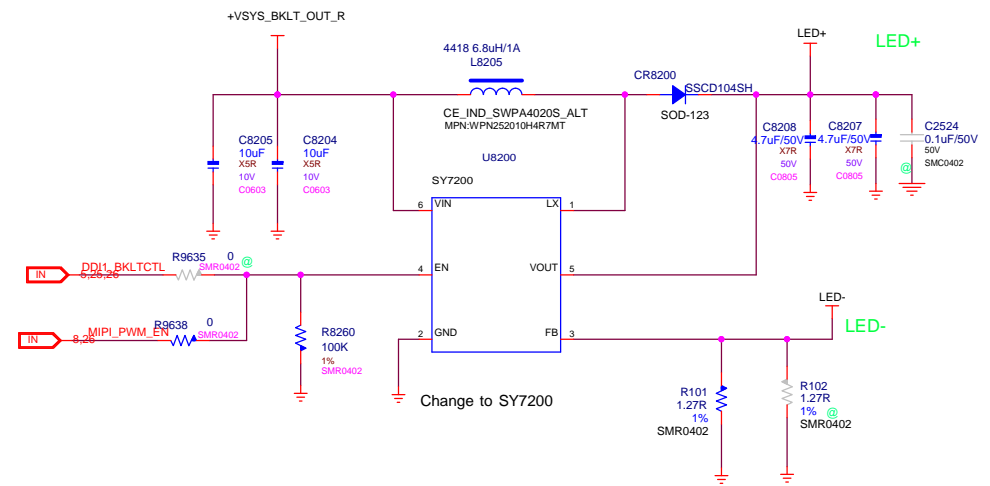
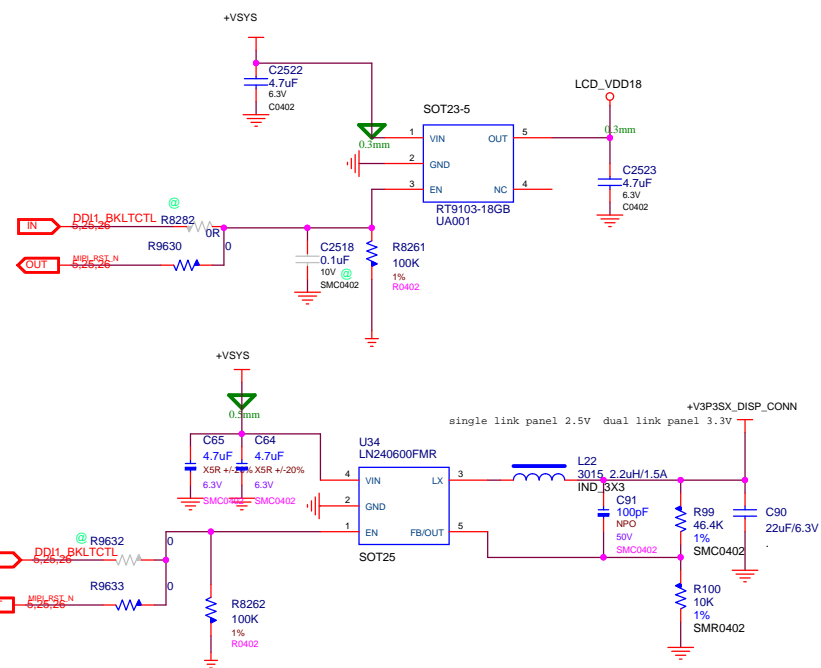
VARIANT: <VARIANT>	INTEL CONFIDENTIAL	DOCUMENT_NUMBER <DOCUMENT_NUMBER>	REV 0p9	PAGE 24/38
-----------------------	-----------------------	--------------------------------------	------------	---------------



DISPLAY: BACKLIGHT CONTROLLER



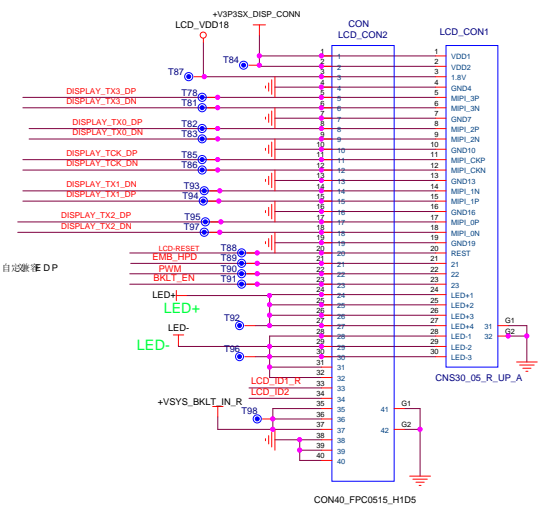
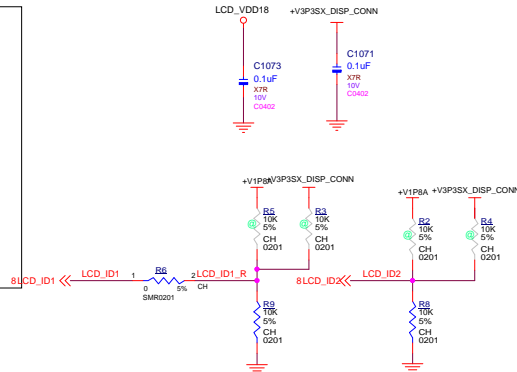
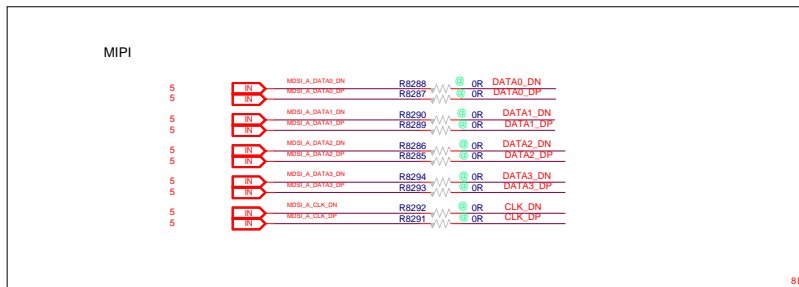
更换背光电路



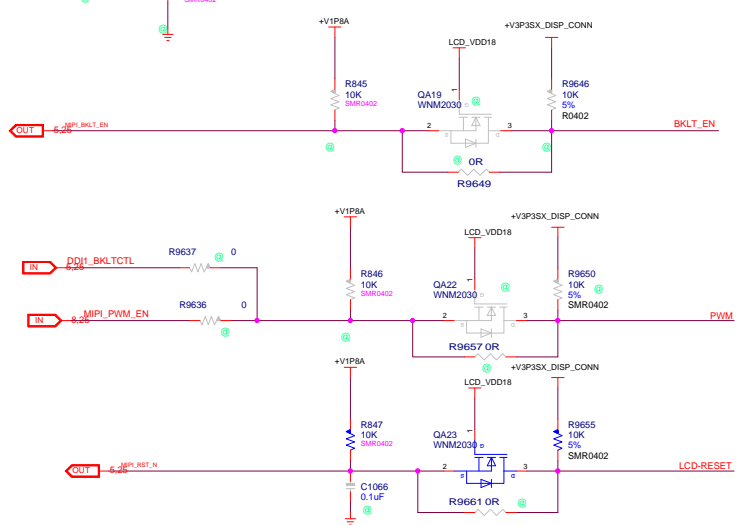
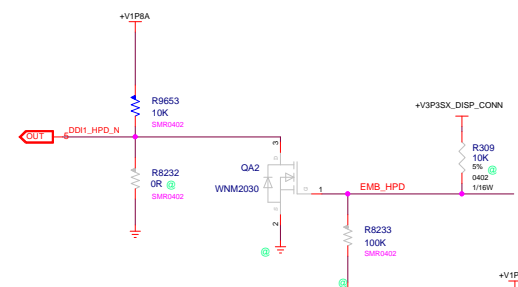
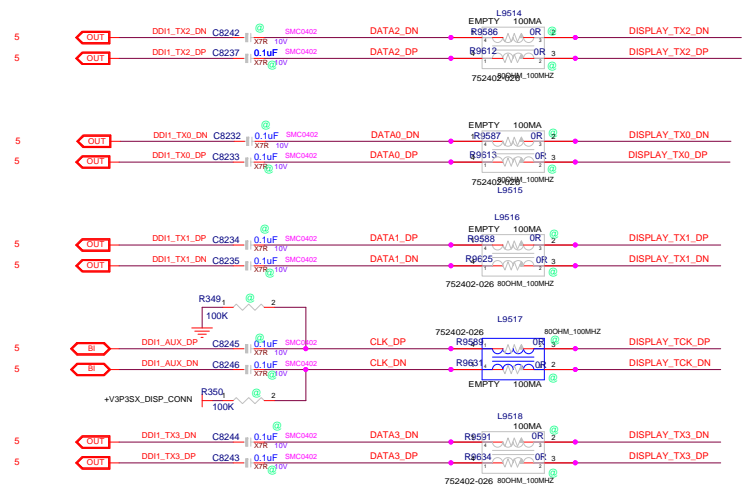
Change to SY7200

CherryTrail -T			
Title 25_DISPLAY_BACKLIGHT CONTROLLER			
Size Custom	Document Number	REV V1.0	Rev V1.0
Date: Monday, August 28, 2017	Sheet 25 of 38	REV	PAGE

VARIANT: <VARIANT>	INTEL CONFIDENTIAL	DOCUMENT_NUMBER: <DOCUMENT_NUMBER>	REV 1P0	PAGE 23/40
-----------------------	-----------------------	---------------------------------------	------------	---------------

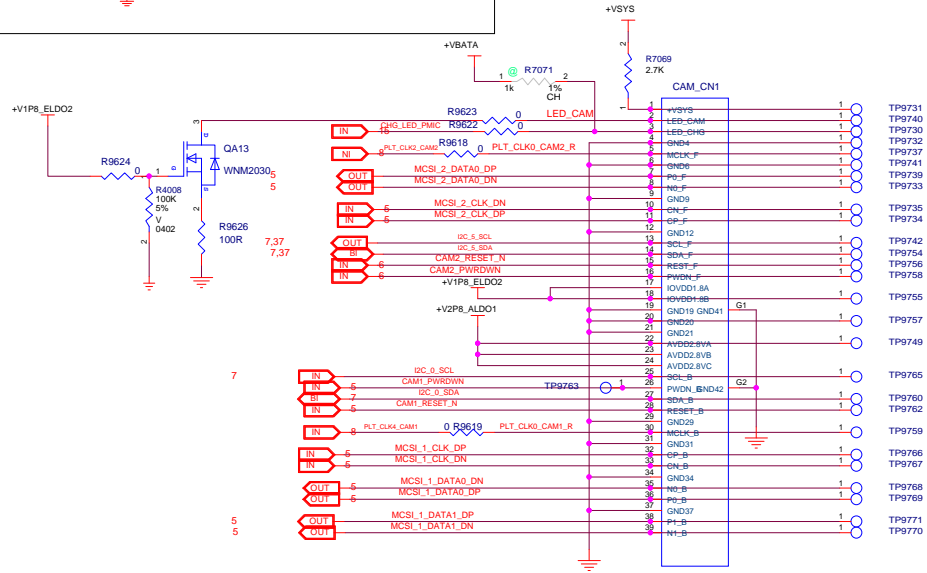
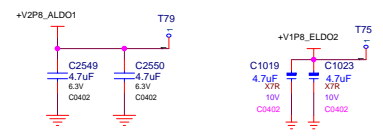
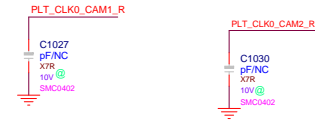
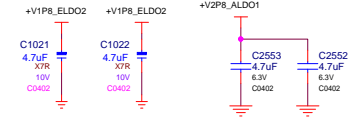
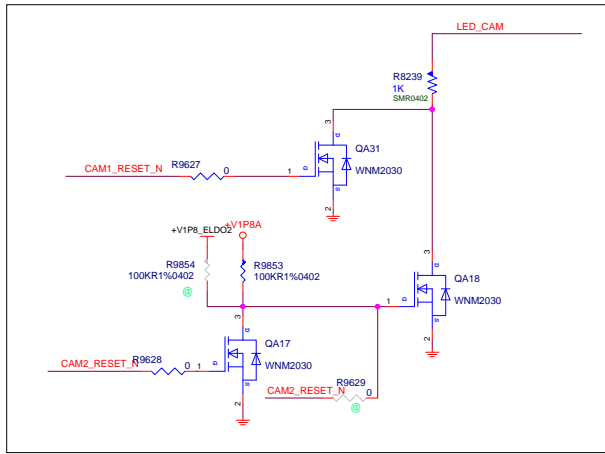


21, 22, 23 PIN 逻辑环 高反, 自定激准 DP



CherryTrail -T		
Title		
26_DISPLAY & TOUCH CONNECTORS		
Size	Document Number	Rev
C		V1.0
Date:	Monday, August 28, 2017	Sheet 26 of 38

# FRONT/REAR CAMERA CONN

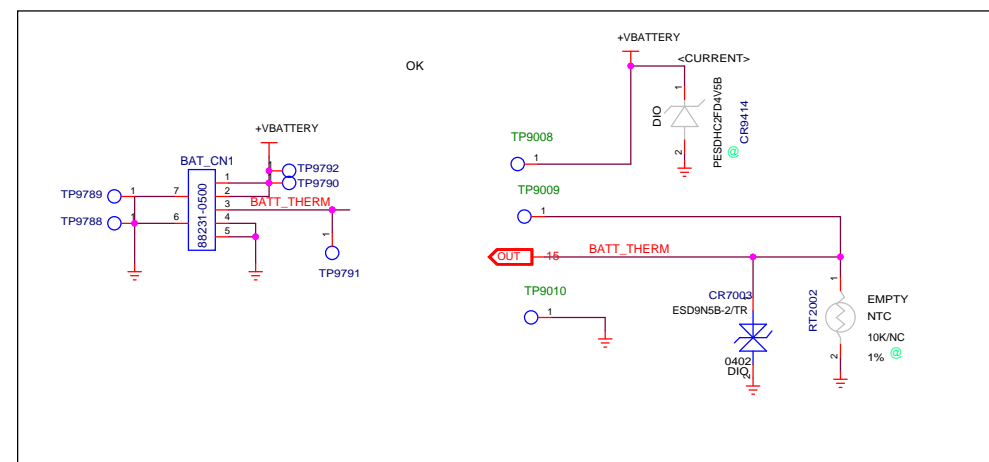
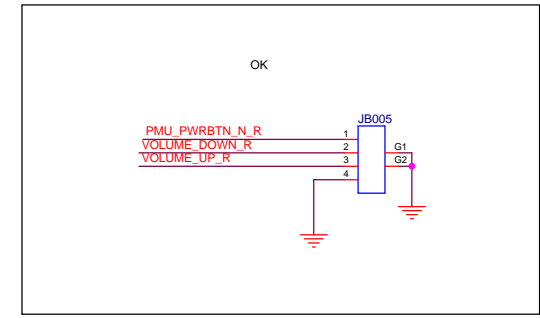
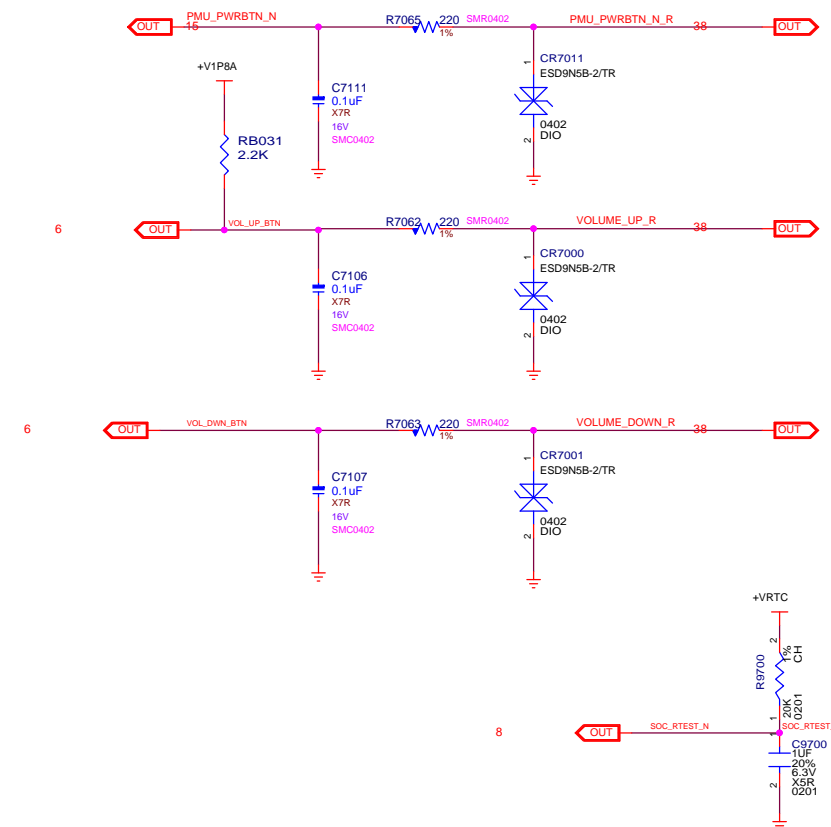


CherryTrail -T			
27_CAMERAS - FRONT & REAR			
Size	Document Number	Rev	
Custom		V1.0	
Date:	Monday, August 28, 2017	Sheet	27 of 38

BPAGE DRAWING

VARIANT:	INTEL	DOCUMENT_NUMBER	REV
<VARIANT>	CONFIDENTIAL	<DOCUMENT_NUMBER>	0p9

dl\_ut\_mtd.GND  
Mon Apr 27 05:44:20 2015



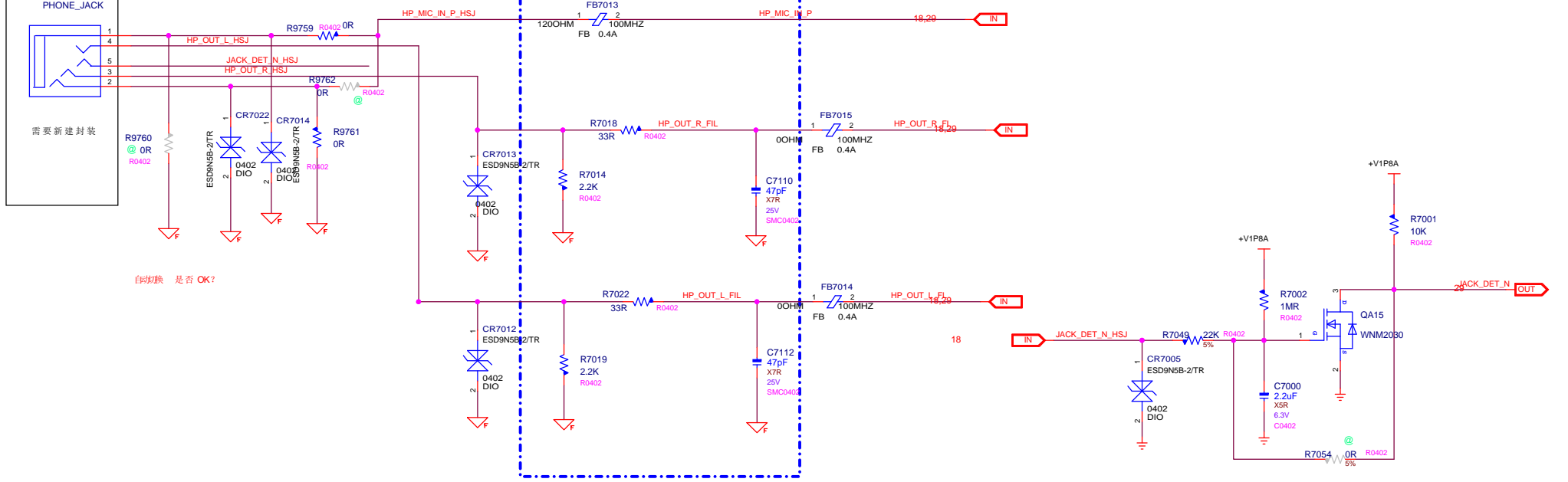
<b>CherryTrail -T</b>		
Title 28_BATTERY & DEBUG CONNECTOR		
Size Custom	Document Number	Rev V1.0
Date: Monday, August 28, 2017	Sheet 28 of 38	

BPAGE DRAWING

VARIANT: <VARIANT>	INTEL CONFIDENTIAL	DOCUMENT_NUMBER <DOCUMENT_NUMBER>	REV 0p9	PAGE 28/38
--------------------	--------------------	-----------------------------------	---------	------------

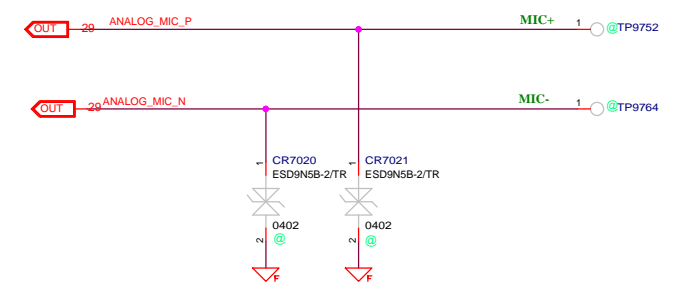
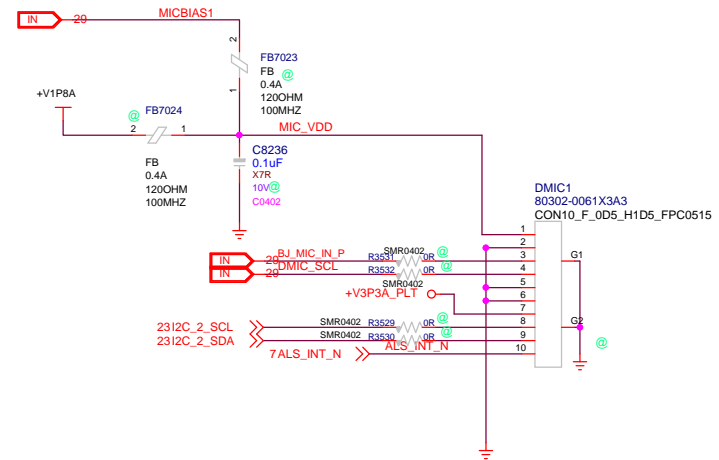


# HEADSET JACK AND BUTTONS



自动切换 是否 OK?

R7049 & C7000 SHOULD BE KEPT CLOSE TO CR7005 AND HSJ CONNECTOR



CherryTrail -T			
Title			
30_HEADSET JACK			
Size	Document	Number	Rev
Custom			V1.0
Date:	Monday, August 28, 2017	Sheet	30 of 38
NO PAGE TITLE			

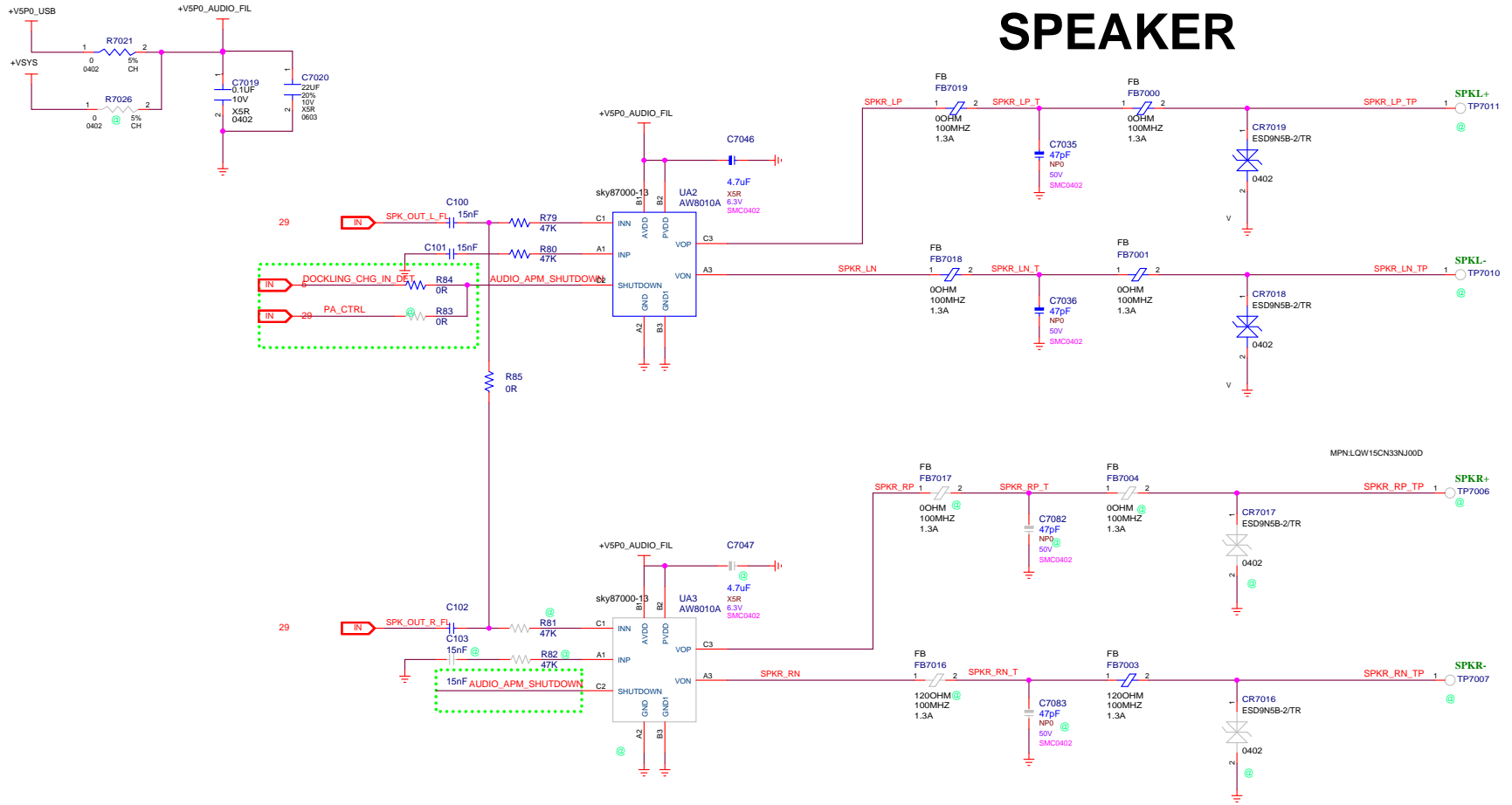
BPAGE DRAWING

09L\_07\_mfg.GND  
Mon Apr 27 09:44:23 2015

VARIANT:	INTEL	DOCUMENT_NUMBER	REV	PAGE
<VARIANT>	CONFIDENTIAL	<DOCUMENT_NUMBER>	0p9	30/38

PLACE CLOSE TO SPKVDDR AND SPKDDL

# SPEAKER



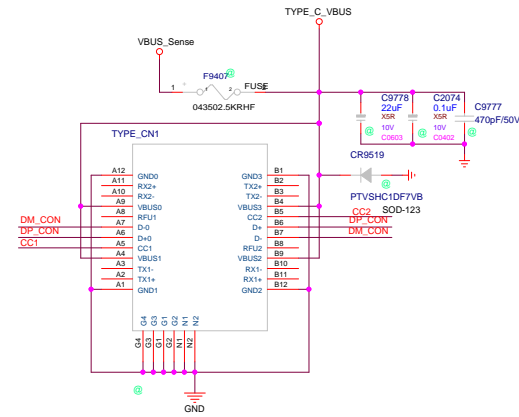
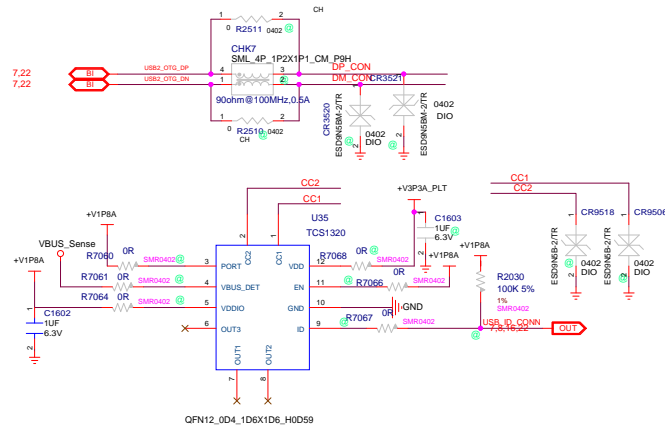
CherryTrail -T			
Title	31_SPEAKERS		
Size	Document Number		Rev
Custom			V1.0
Date:	Monday, August 28, 2017	Sheet	31 of 38

BPAGE DRAWING

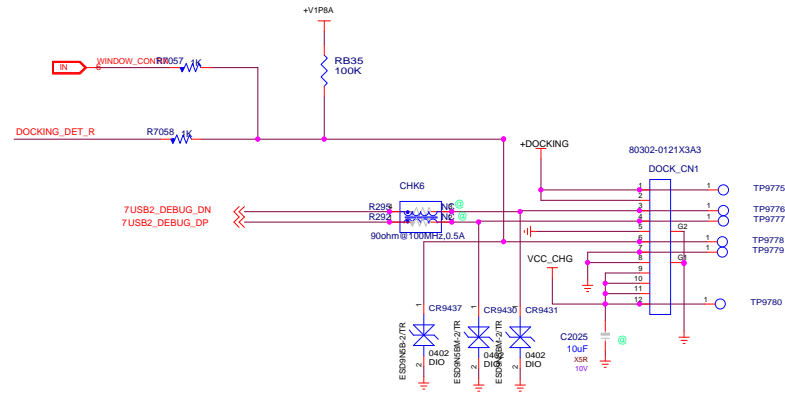
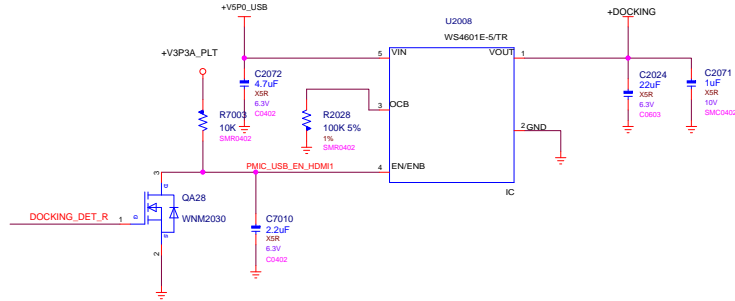
chr\_of\_mms.GND  
Mon Apr 27 08:42:21 2015

VARIANT:	INTEL	DOCUMENT_NUMBER	REV
<VARIANT>	CONFIDENTIAL	<DOCUMENT_NUMBER>	0p9

type c



POGO



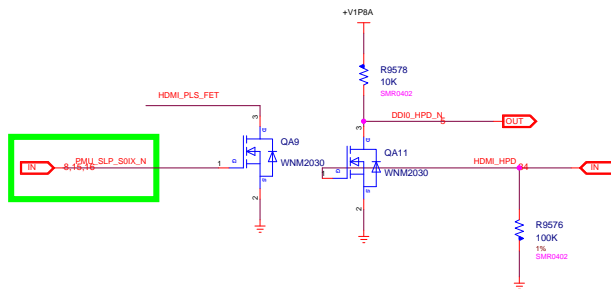
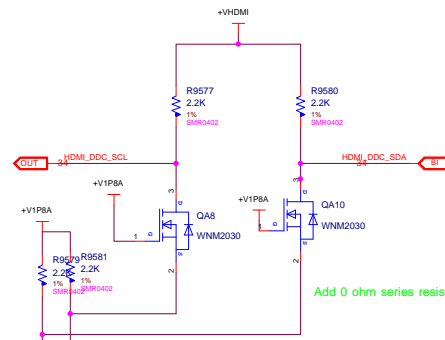
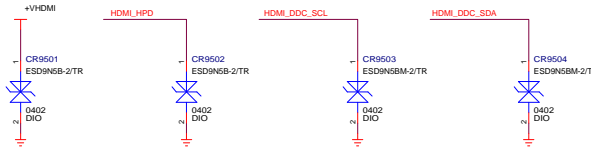
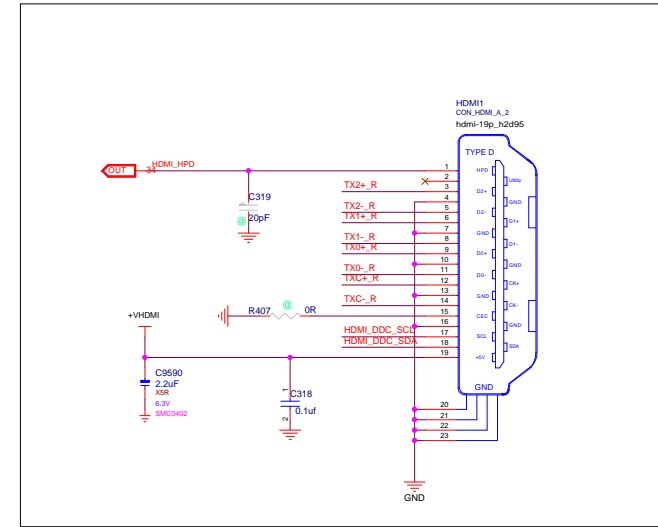
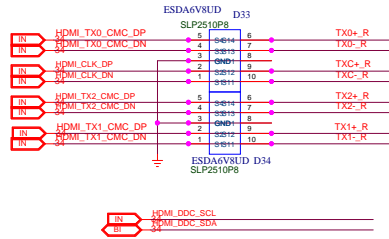
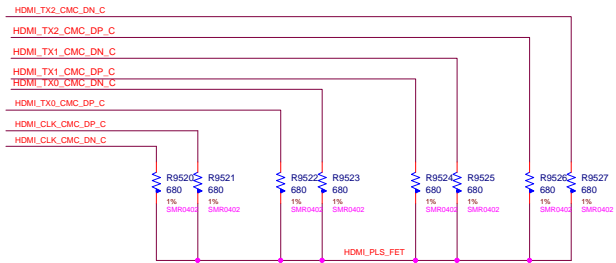
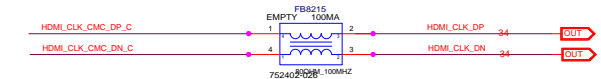
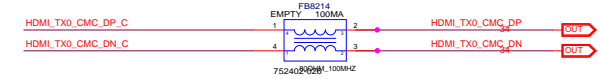
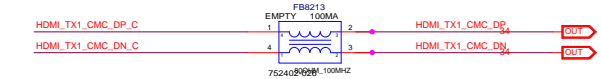
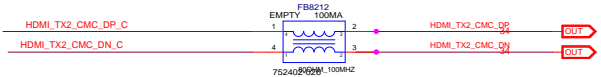
CherryTrail -T	
Title	32_MB SB CONNECTOR
Size	C
Date	Monday, August 28, 2017
Sheet	32 of 38





+VSIM1\_VAR POWER FROM MODEM  
+VCC\_SIM GOING TO SIM CARD CONN

HDMI LEVEL SHIFTERS & CONNECTOR



CherryTrail -T			
Title	34_NFC		
Size	Document Number		Rev V1.0
Date	Monday, August 28, 2017	Sheet	34 of 38

BPAGE DRAWING

VARIANT:	INTEL	DOCUMENT_NUMBER	REV	PAGE
<VARIANT>	CONFIDENTIAL	<DOCUMENT_NUMBER>	099	34/38

JPL\_intel+VSIM34  
Mon Apr 27 05:44:21 2015

CherryTrail -T			
Title	35_3G MODEM		
Size	Document Number	Rev	V1.0
Custom			
Date:	Monday, August 28, 2017	Sheet	35 of 39

# GPS

D

D

C

C

B

B

A

A

CAD NOTE

OVERLAP R1201 PAD 2 AND R1200 PAD 1

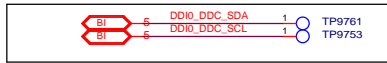
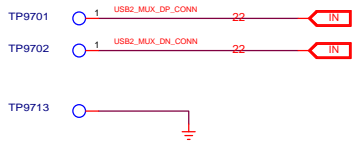
## CherryTrail -T

Title		
36_GPS		
Size	Document Number	Rev
Custom		V1.0
Date:	Monday, August 28, 2017	Sheet 36 of 38

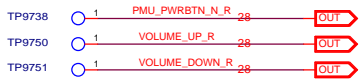
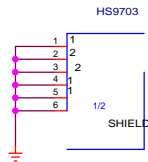
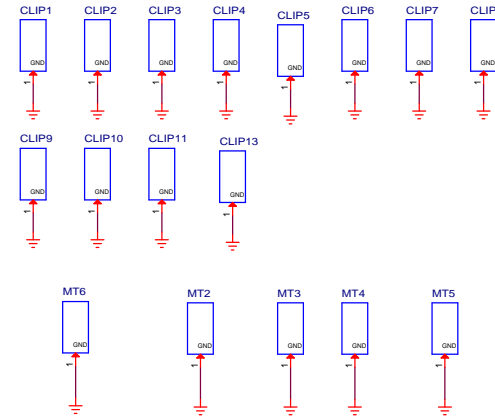
NO PAGE TITLE

VARIANT: <VARIANT>	INTEL CONFIDENTIAL	DOCUMENT_NUMBER <DOCUMENT_NUMBER>	REV 0p9	PAGE 36/38
-----------------------	-----------------------	--------------------------------------	------------	---------------





旗 C 同面



<b>CherryTrail -T</b>			
Title			
<b>38_MFG TP'S, SHIELDS &amp; MOUNTING</b>			
Size	Document Number	Rev	
Custom		V1.0	
Date:	Monday, August 28, 2017	Sheet	38 of 38

BPAGE DRAWING  
 ght\_cz\_mtd\_vBAT-38  
 Mon Apr 27 05:44:22 2015

VARIANT:	INTEL	DOCUMENT_NUMBER	REV	PAGE
<VARIANT>	CONFIDENTIAL	<DOCUMENT_NUMBER>	0p9	38/38