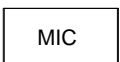
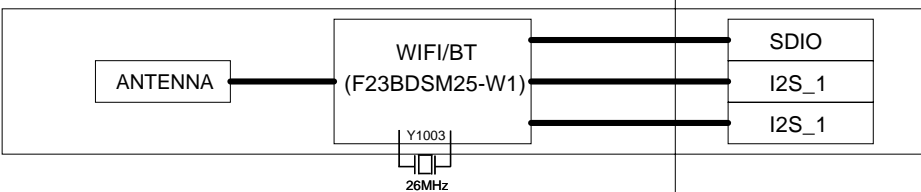


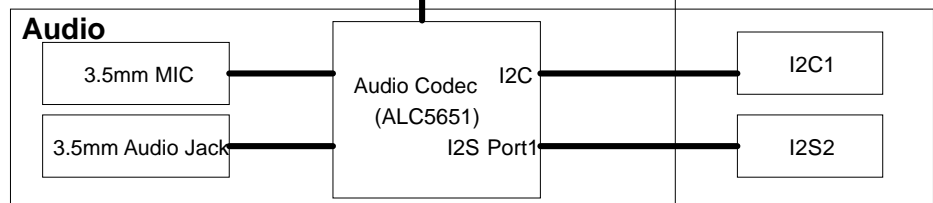
BT: 2402MHz-2480MHz
 WIFI: 2412MHz-2462MHz

CHT_CR SOC

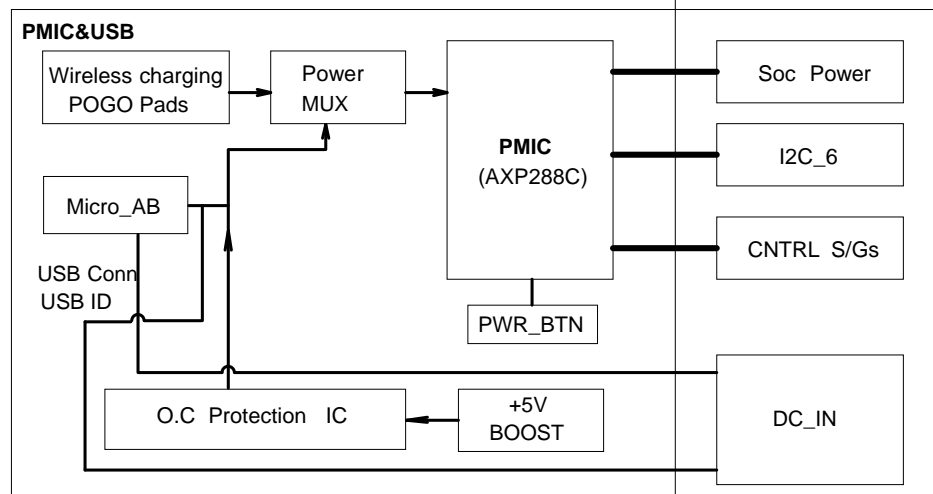
WIFI/BT



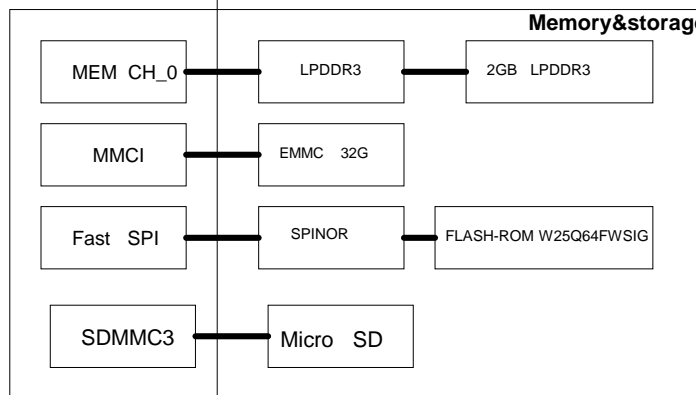
Audio



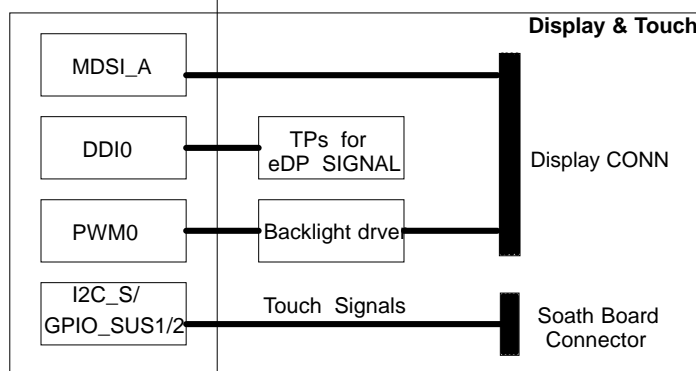
PMIC&USB



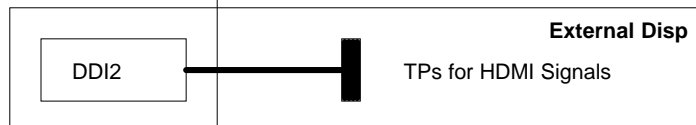
Memory&storage



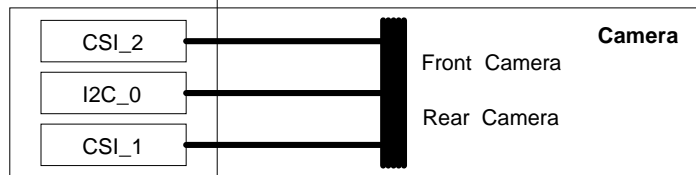
Display & Touch



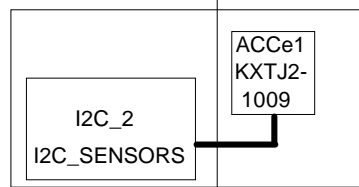
External Disp



Camera



Sensors



CherryTrail -T			
Title	01_BLOCK DIAGRAM		
Size	Document Number	Rev	V1.0
C			
Date:	Monday, August 28, 2017	Sheet	1 of 38

BOM_RELEASE_DATE	<BOM_RELEASE_DATE>	PB_NUMBER	H80689-001	
SIGNATURE	DATE	INTEL CORPORATION		
DRN_BY	<DRN_BY>	2200 MISSION BLVD	SANTA CLARA, CA 95054	
CHK_BY	<CHK_BY>	TITLE		
ENGR_APV'D	<ENGR_APV'D>	CHT-CR_MRD		
VARIANT:	<VARIANT>	INTEL	DOCUMENT_NUMBER	REV
		CONFIDENTIAL	<DOCUMENT_NUMBER>	099
				PAGE
				1/38