

6

5

4

3

2

1

REVISION RECORD			
LTR	EDD NO.	APPROVED:	DATE

D

D

C

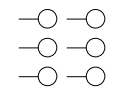
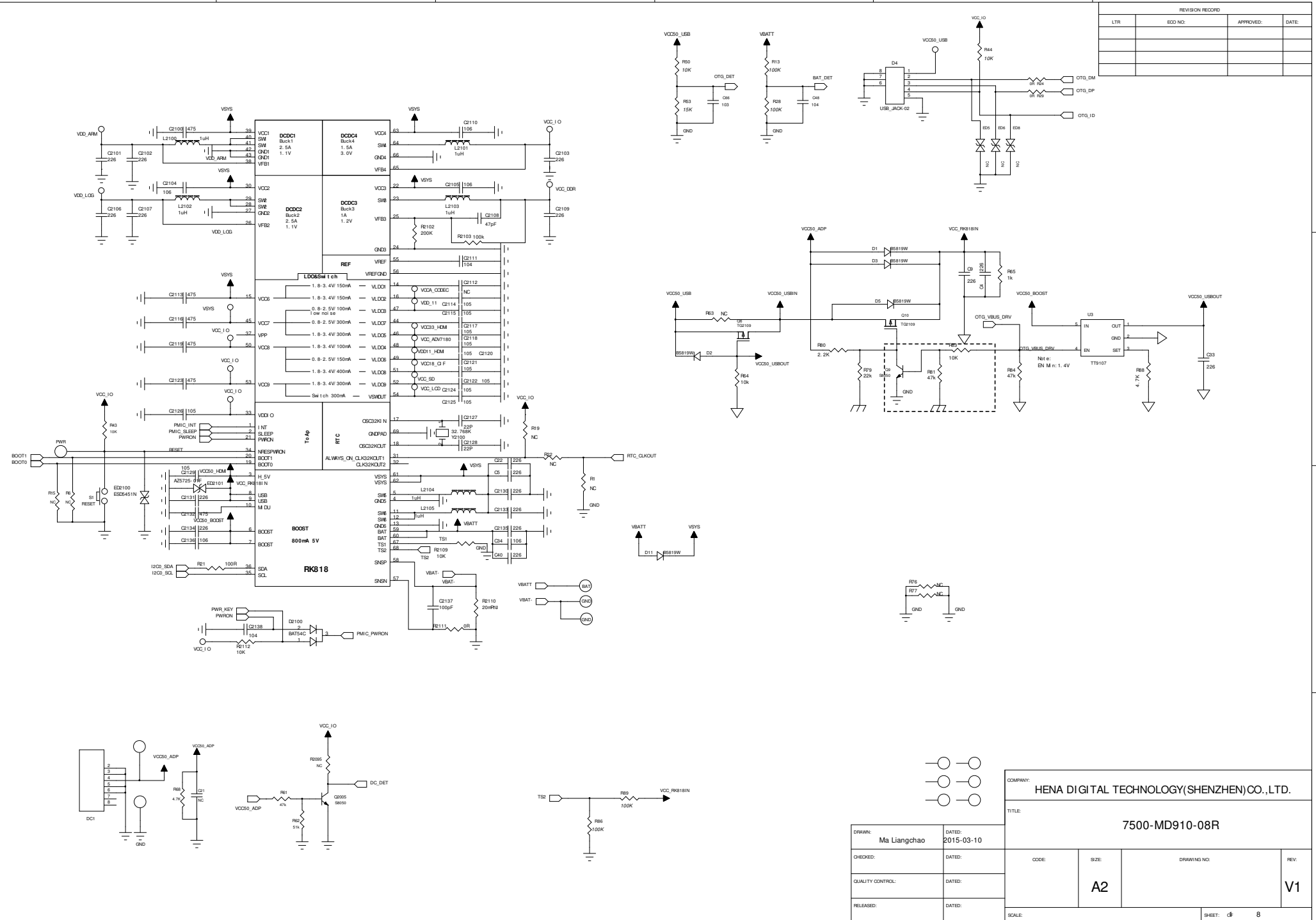
C

B

B

A

A



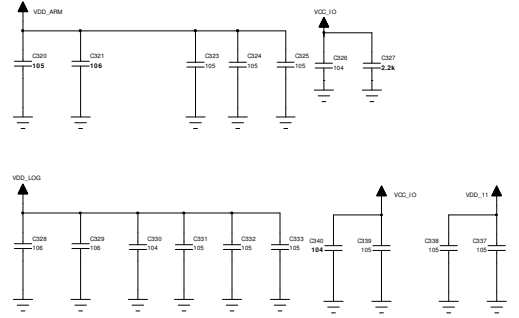
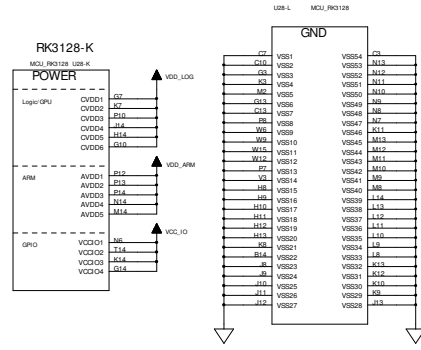
DRAWN: Ma Liangchao	DATED: 2015-03-10
CHECKED:	DATED:
QUALITY CONTROL:	DATED:
RELEASED:	DATED:

COMPANY: HENA DIGITAL TECHNOLOGY(SHENZHEN) CO.,LTD.			
TITLE: 7500-MD910-08R			
CODE:	SIZE: A2	DRAWING NO:	REV: V1
SCALE:			SHEET: 8

REVISION RECORD			
LTR	ECO NO.	APPROVED:	DATE

D

D

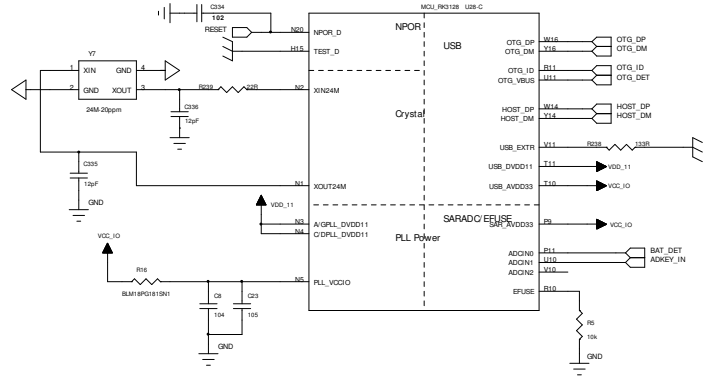


C

C

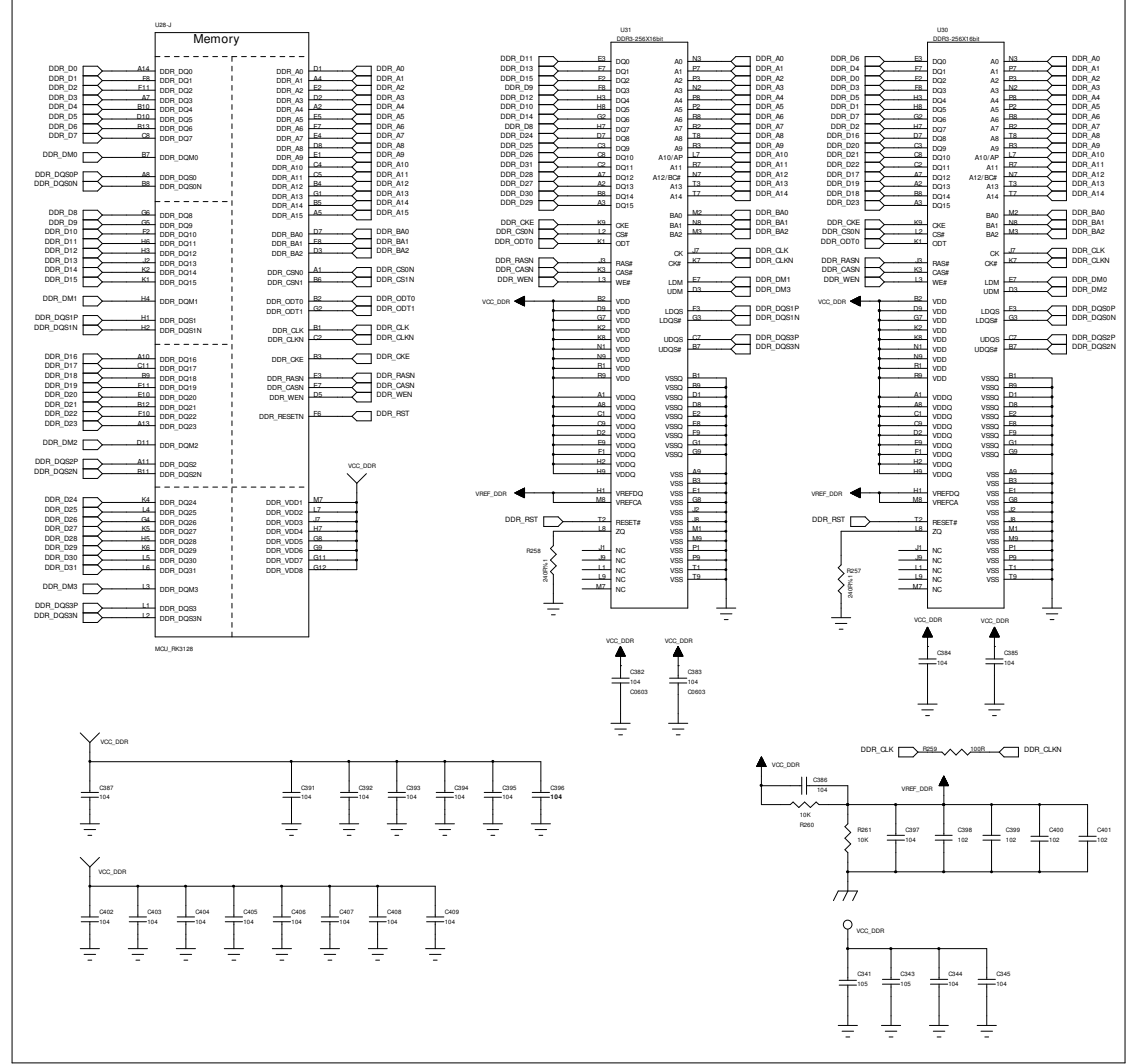
B

B



A

A



COMPANY: HENA DIGITAL TECHNOLOGY(SHENZHEN)CO.,LTD.

TITLE: 7500-MD910-08R

DRAWN: Ma Liangchao DATED: 2015-03-10

CHECKED: DATED:

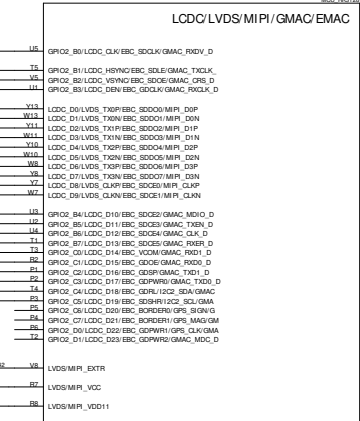
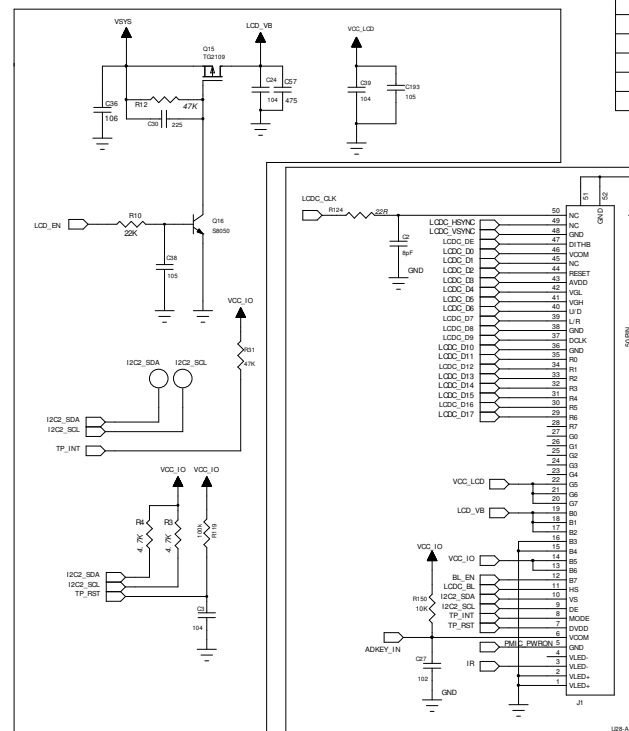
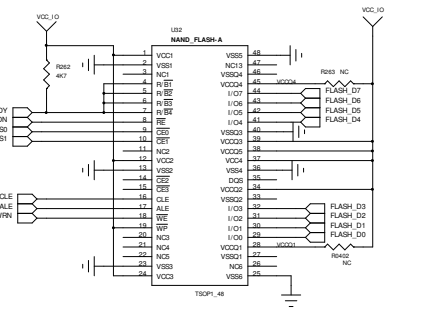
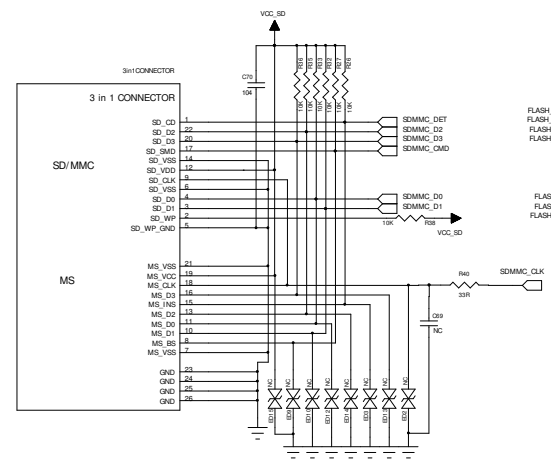
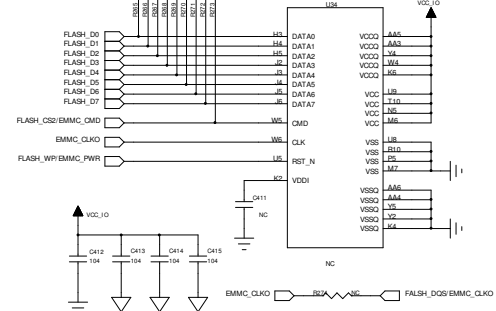
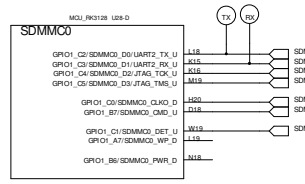
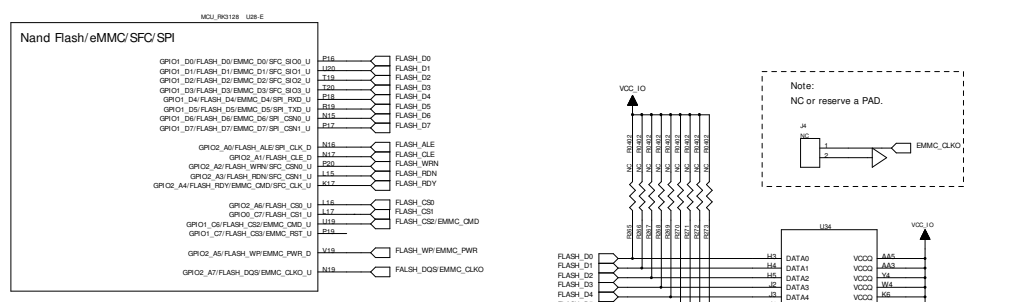
QUALITY CONTROL: DATED:

RELEASED: DATED:

CODE: SIZE: DRAWING NO: REV:

A2 V1

SCALE: SHEET: 2 8



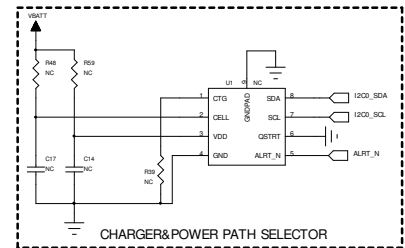
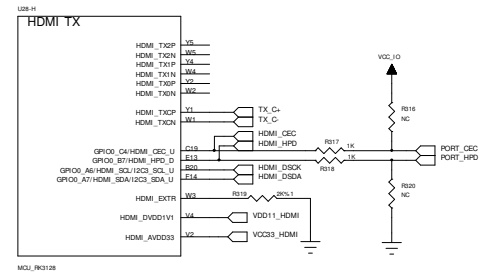
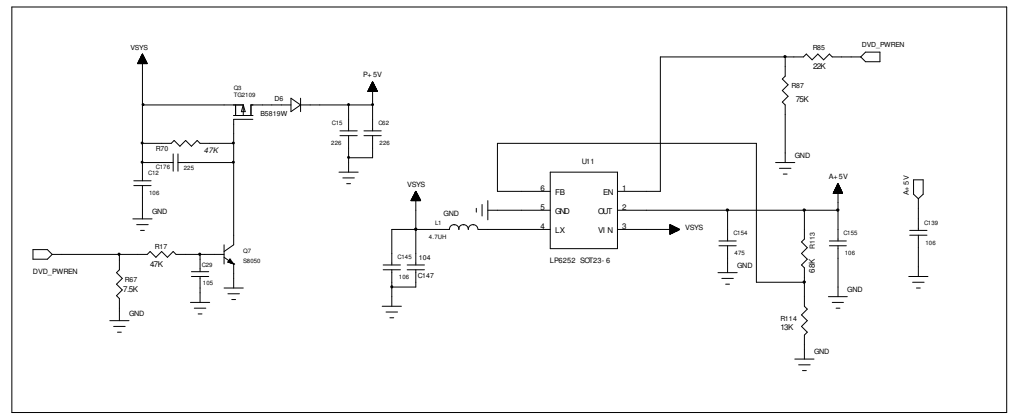
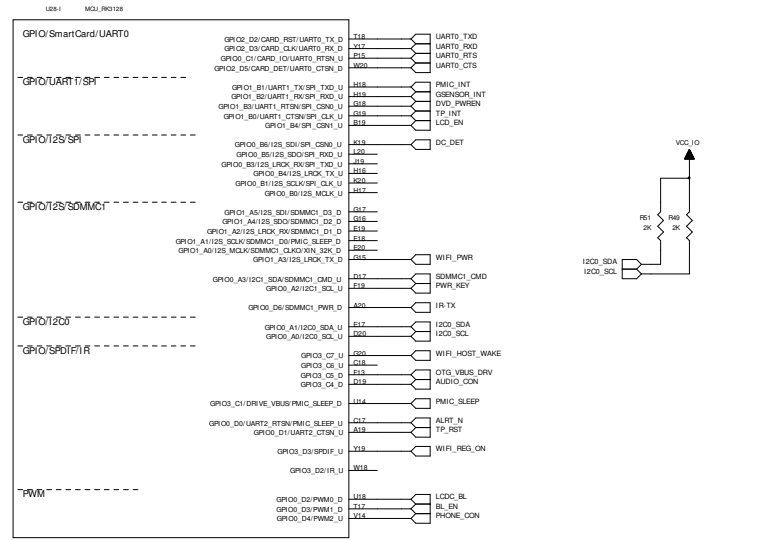
REVISION RECORD			
LTR	EGD NO.	APPROVED:	DATE

COMPANY: HENA DIGITAL TECHNOLOGY(SHENZHEN)CO.,LTD.

TITLE: 7500-MD910-08R

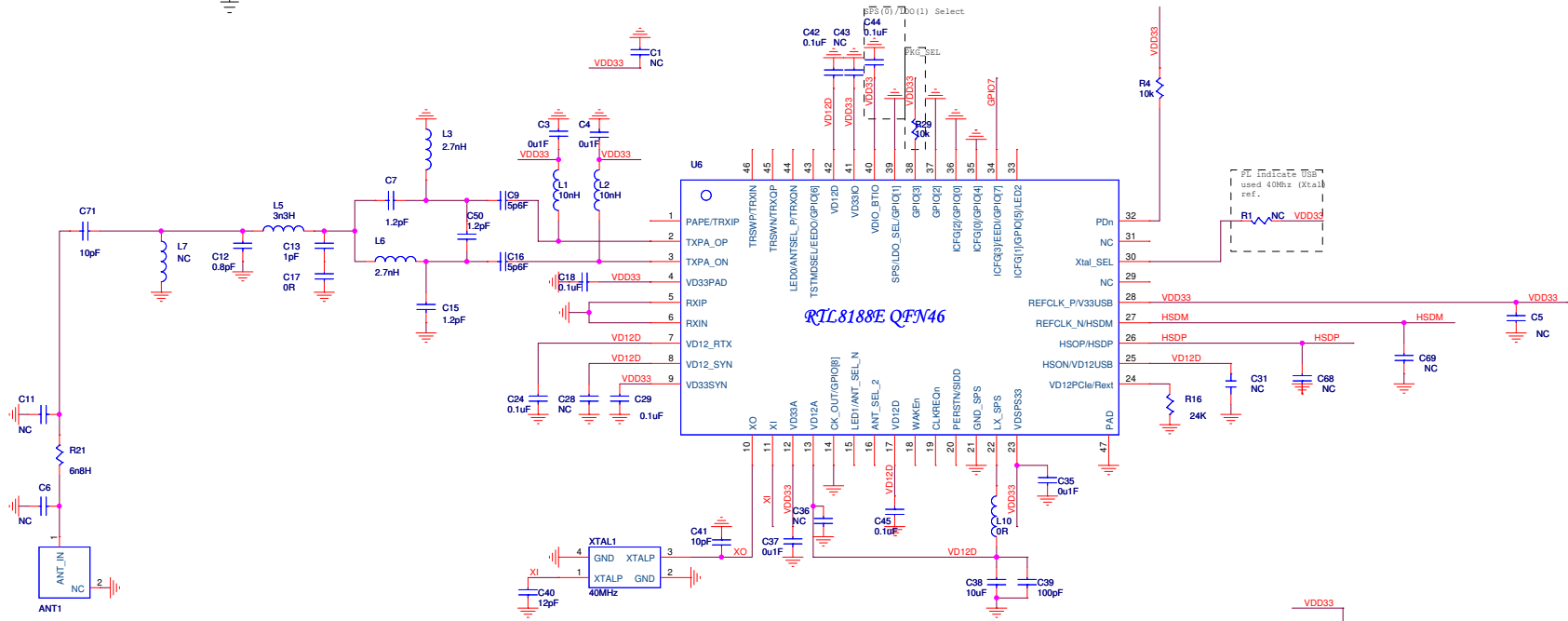
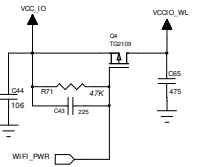
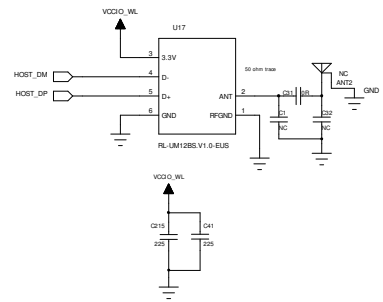
DRAWN: Ma Liangchao	DATED: 2015-03-10	CODE	SIZE: A2	DRAWING NO.	REV: V1
CHECKED:	DATED:				
QUALITY CONTROL:	DATED:				
RELEASED:	DATED:				
SCALE:	SHEET: 8				

REVISION RECORD			
LTR	ECO NO.	APPROVED:	DATE



COMPANY: HENA DIGITAL TECHNOLOGY(SHENZHEN)CO.,LTD.			
TITLE: 7500-MD910-08R			
DRAWN: Ma Liangchao	DATED: 2015-03-10	CODE:	SIZE: A2
CHECKED:	DATED:	DRAWING NO:	REV: V1
QUALITY CONTROL:	DATED:	SCALE:	SHEET: 8
RELEASED:	DATED:		

REVISION RECORD			
LTR	EDD NO.	APPROVED:	DATE



PF Indicate User used 40MHz (Xtal) ref.

COMPANY: HENA DIGITAL TECHNOLOGY(SHENZHEN)CO.,LTD.

TITLE: 7500-MD910-08R

DRAWN: Ma Liangchao	DATED: 2015-03-10
CHECKED:	DATED:
QUALITY CONTROL:	DATED:
RELEASED:	DATED:

CODE:	SIZE: A2	DRAWING NO:	REV: V1
SCALE:			SHEET: 5 8

6

5

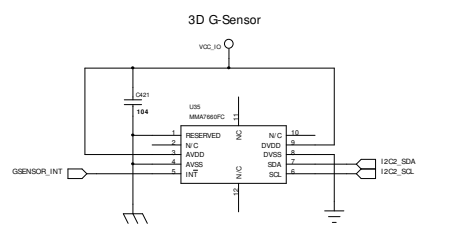
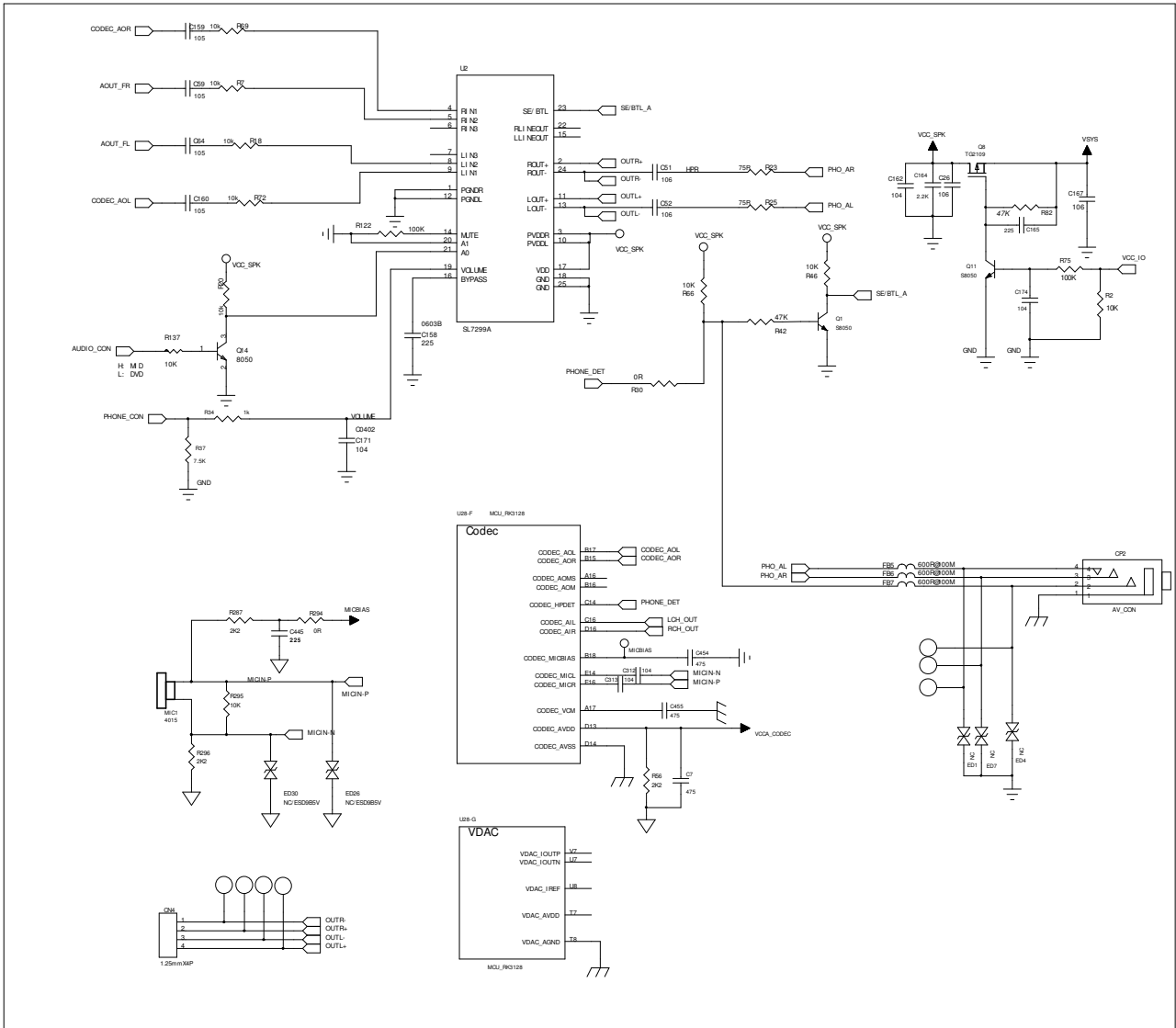
4

3

2

1

REVISION RECORD			
LTR	EDD NO.	APPROVED:	DATE



Note:
The first pin of G-sensor must be place on the lower left corner of PCB.

D

D

C

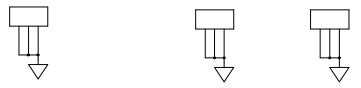
C

B

B

A

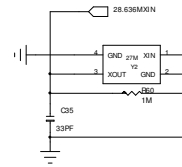
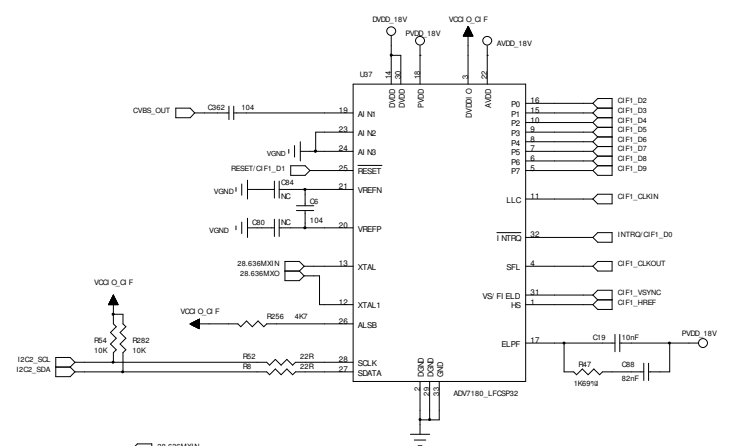
A



COMPANY: HENA DIGITAL TECHNOLOGY(SHENZHEN)CO.,LTD.			
TITLE: 7500-MD910-08R			
CODE	SIZE	DRAWING NO.	REV:
	A2		V1
SCALE:			SHEET: 8

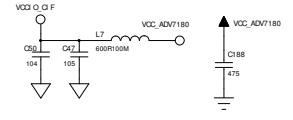
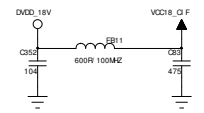
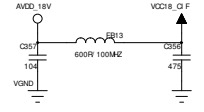
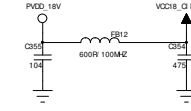
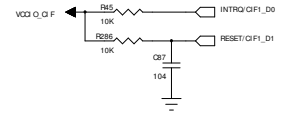
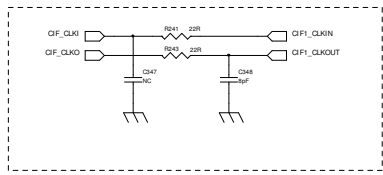
DRAWN: Ma Liangchao	DATED: 2015-03-10
CHECKED:	DATED:
QUALITY CONTROL:	DATED:
RELEASED:	DATED:

REVISION RECORD			
LTR	ECO NO.	APPROVED:	DATE



USB-B MCU_RK3128

CF1/TS	Pin	Signal
CF1_D0/TS_D0_D	W17	CF1_D0
CF1_D1/TS_D1_D	W17	CF1_D1
CF1_D2/TS_D2_D	W17	CF1_D2
CF1_D3/TS_D3_D	W17	CF1_D3
CF1_D4/TS_D4_D	T13	CF1_D4
CF1_D5/TS_D5_D	T13	CF1_D5
CF1_D6/TS_D6_D	R14	CF1_D6
CF1_D7/TS_D7_D	R14	CF1_D7
CF1_D8/TS_D8_D	R14	CF1_D8
CF1_D9/TS_D9_D	T16	CF1_D9
CF1_VSYNC/TS_SYNC_D	J13	CF1_VSYNC
CF1_HREF/TS_FAIL_D	Q18	CF1_HREF
CF1_CLKI/TS_VALID_D	U16	CF1_CLKI
CF1_CLKO/TS_CLKO_D	U13	CF1_CLKO
GPIO0_D7/CF_PEN0_TEST_CLKO_D	Q18	INTRO/CF1_D0
CF_PEN0/GPIO0_B3_U	Q20	RESET/CF1_D1



COMPANY: HENA DIGITAL TECHNOLOGY(SHENZHEN)CO.,LTD.			
TITLE: 7500-MD910-08R			
DRAWN: Ma Liangchao	DATED: 2015-03-10	CODE:	SIZE: A2
CHECKED:	DATED:	DRAWING NO:	REV: V1
QUALITY CONTROL:	DATED:	SCALE:	SHEET: 8
RELEASED:	DATED:		

REVISION RECORD			
LTR	EDD NO.	APPROVED:	DATE

D

D

C

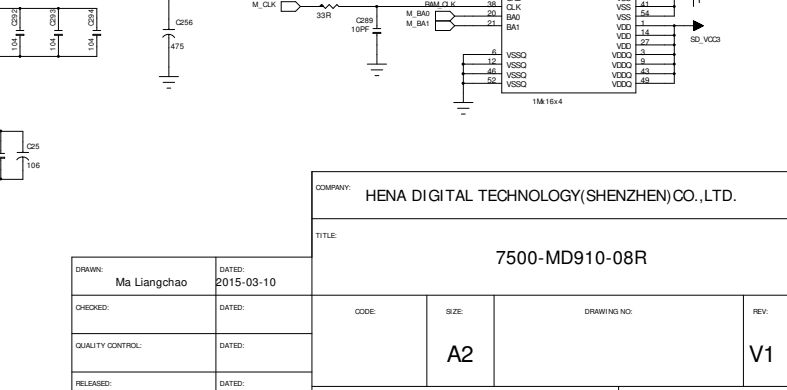
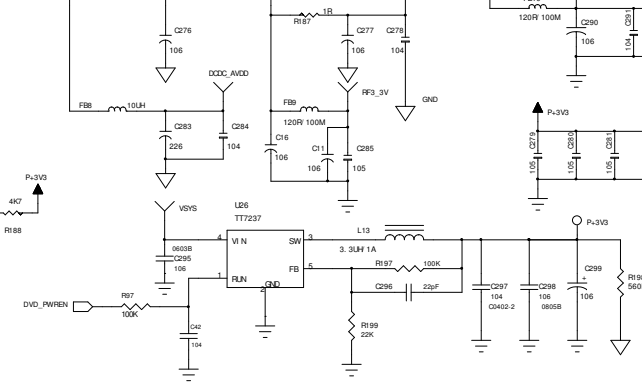
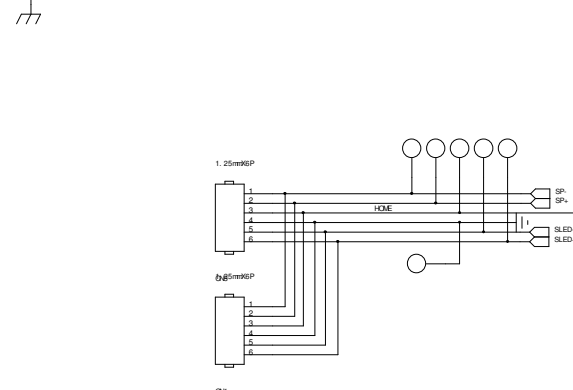
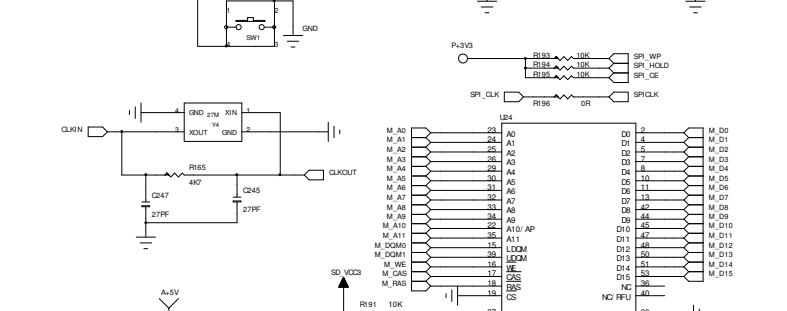
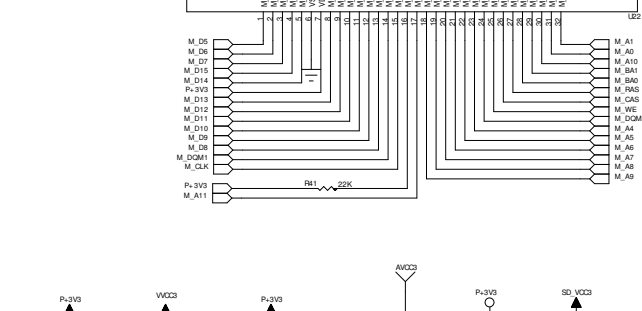
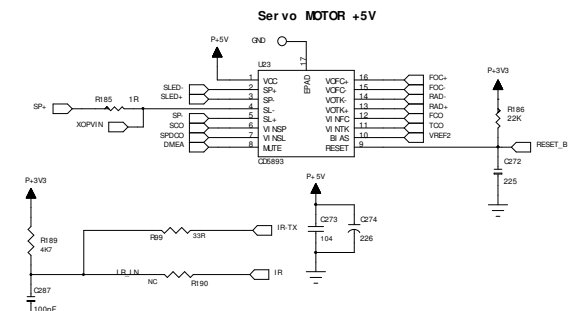
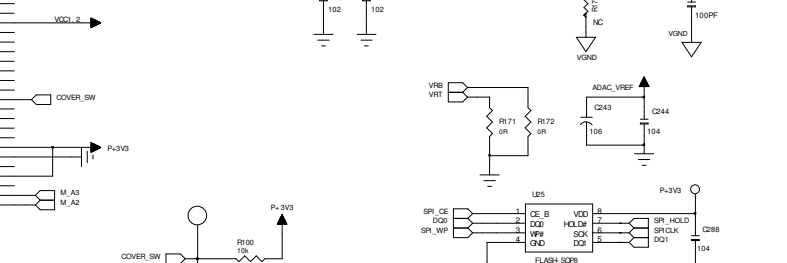
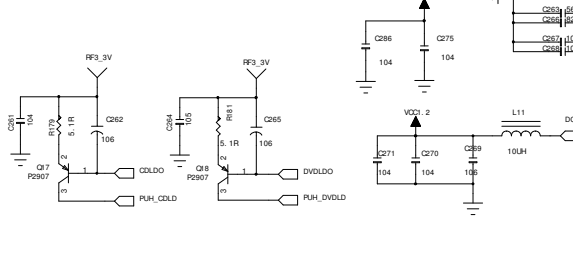
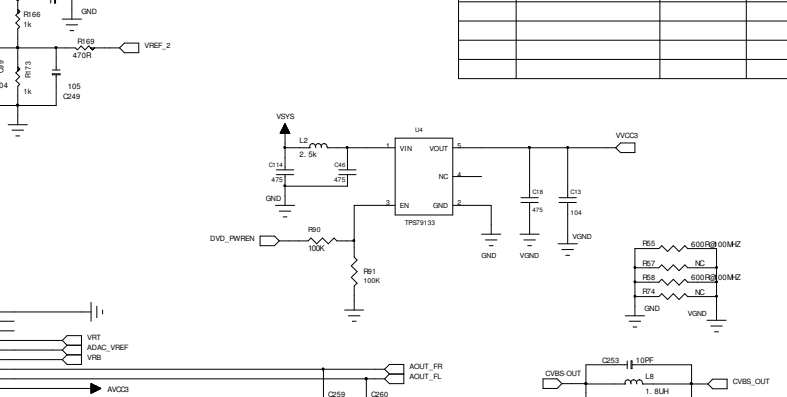
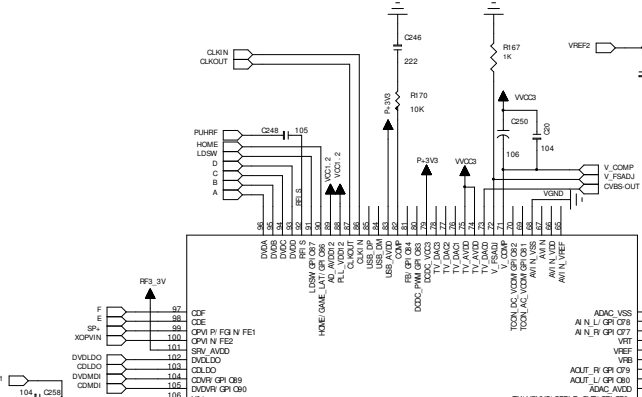
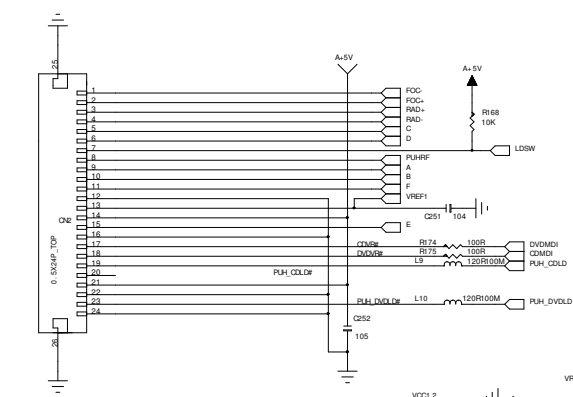
C

B

B

A

A



COMPANY: HENA DIGITAL TECHNOLOGY(SHENZHEN)CO.,LTD.			
TITLE: 7500-MD910-08R			
DRAWN: Ma Liangchao	DATED: 2015-03-10	CODE:	SIZE:
CHECKED:	DATED:	DRAWING NO.	REV: V1
QUALITY CONTROL:	DATED:	SCALE:	SHEET: 8
RELEASED:	DATED:		