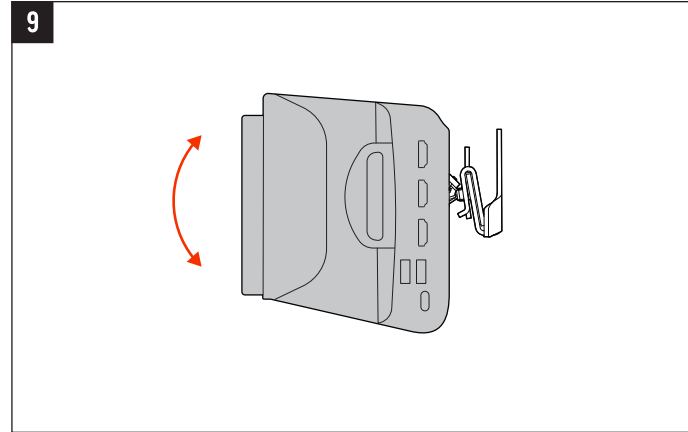
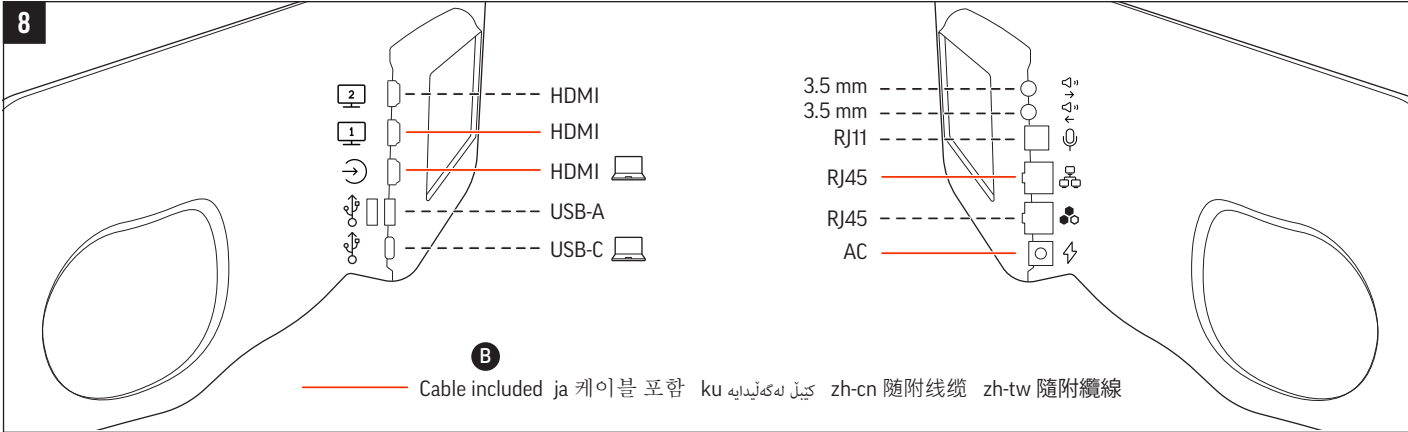
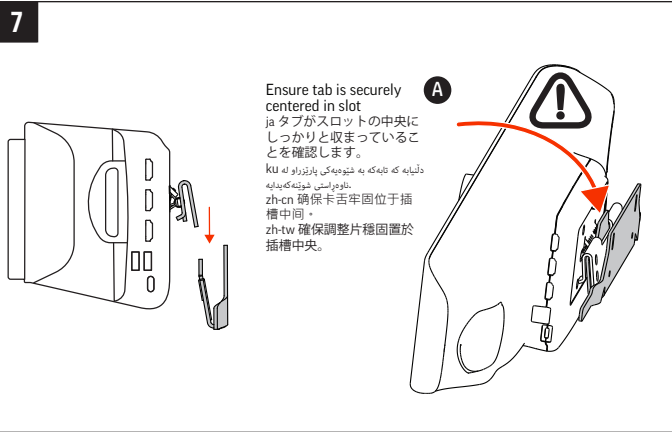
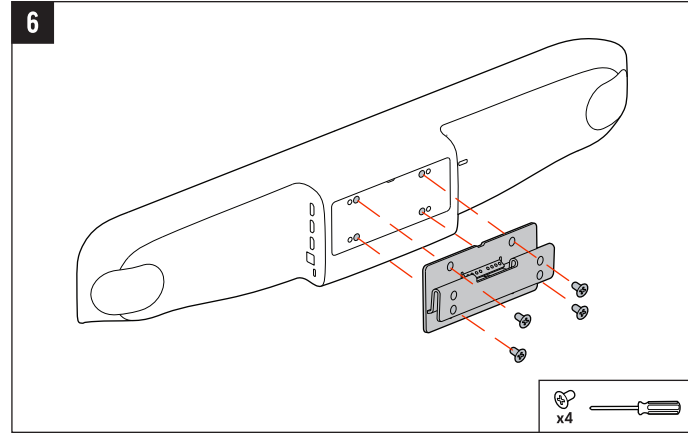
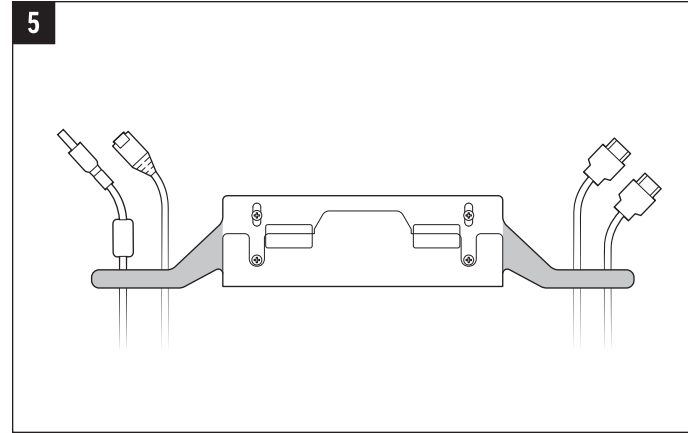
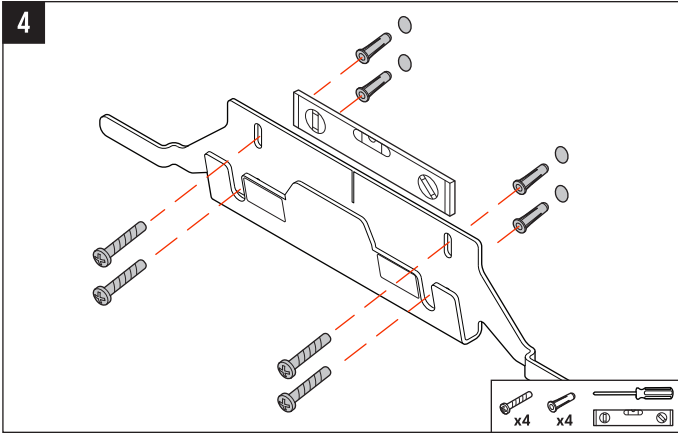
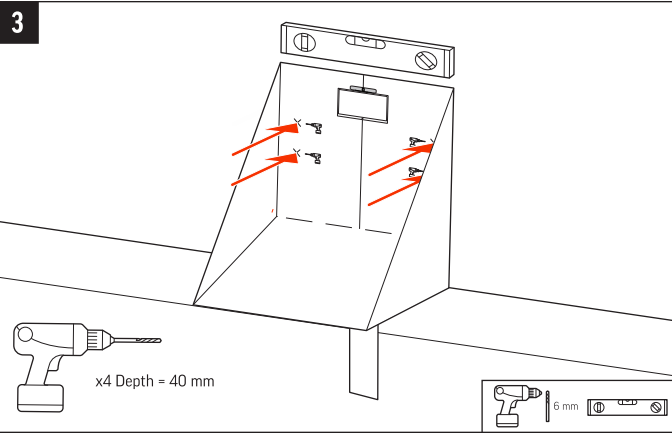
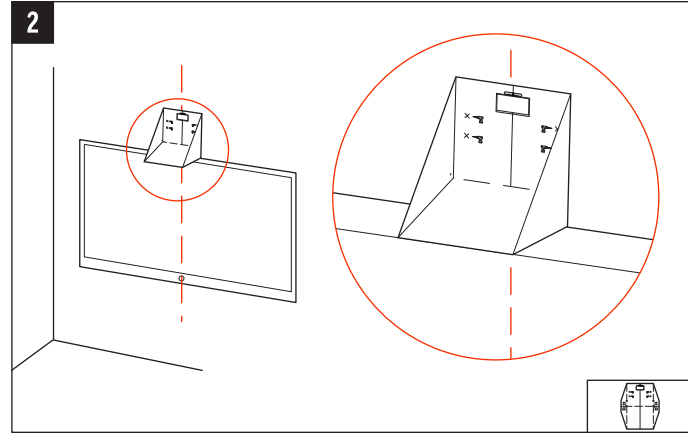
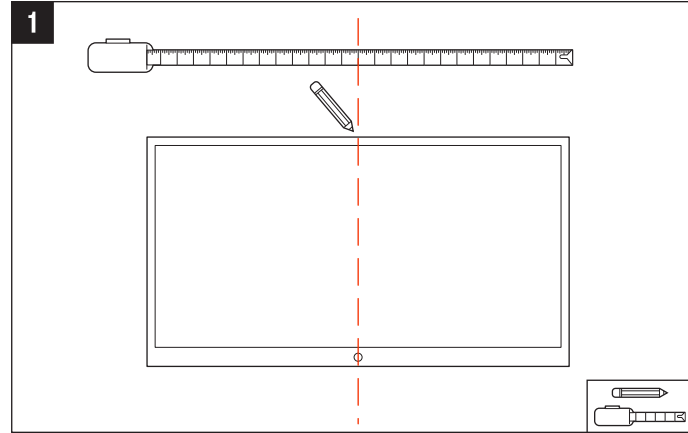
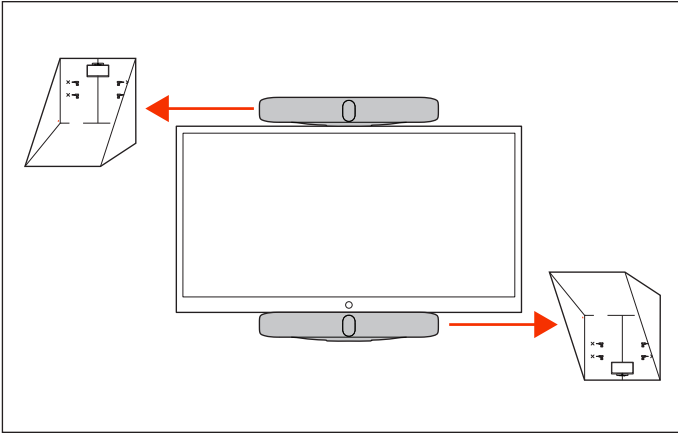
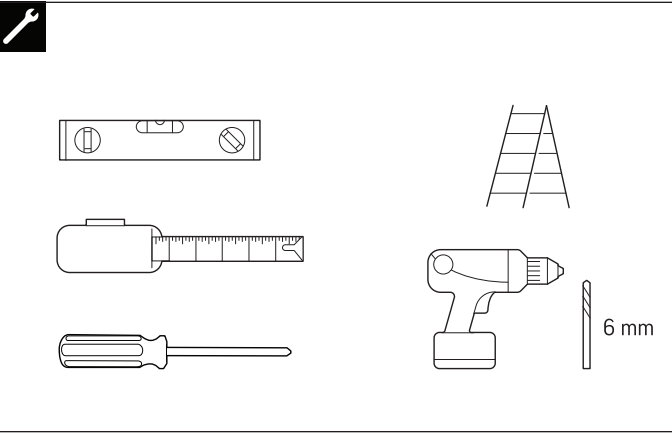
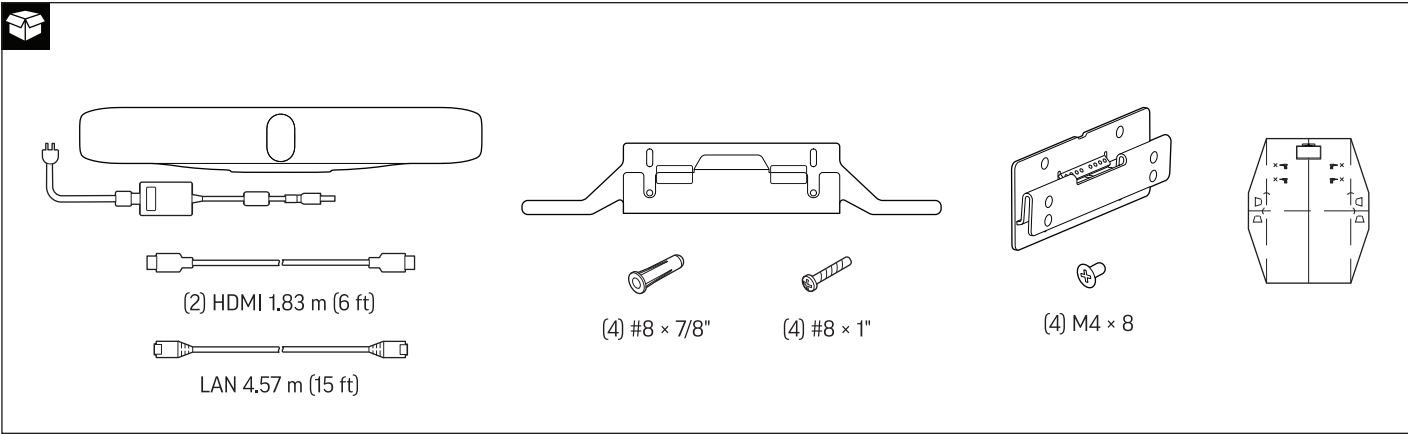


POLY STUDIO X72



en ENGLISH

- A** Ensure tab is securely centered in slot.
- B** Cable included

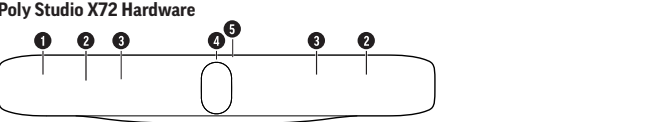
Product Description and Specifications
 Poly Studio X72 is an all-in-one video bar for large conference spaces.
 Camera resolution: 2160p, 4K UHD (3840 x 2160)
 Camera type: Dual-lens
 Sensitivity (speaker): 83dB (mid speakers); 89 dB (tweeter speakers)
 Speaker type: Two-way stereo speakers
 Video frame rate: 5 - 30fps
 Operating temperature: 32 to 104 °F
 Minimum dimensions: 331 x 5.3 x 4.6 in
 Diagonal field of view (dFoV): 140° (wide); 78° (narrow)
 Horizontal field of view (hFoV): 120° (wide); 70° (narrow)
 Microphone pickup range (imperial): Up to 25 ft

Power
 Auto sensing power supply
 37 VA @ 120 V @ 60 Hz
 37 VA @ 230 V @ 50/60 Hz
 65 BTU h
 Input: 100-240VAC, 1.5A, 50/60Hz
 Output: 12V DC, 5.0A
 Power Supply Model: S065-1A120500B3

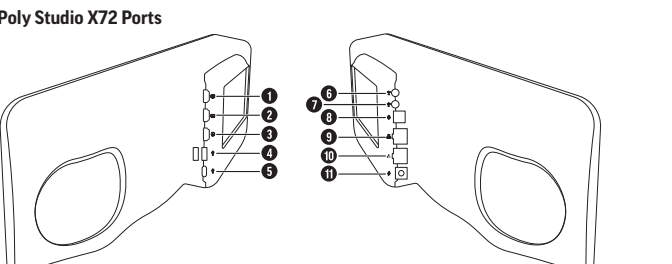
Instructions for Use
Place a Call
 You can place an audio or video call to a contact.
 1. Go to **Place a Call**.
 2. On the **Dialpad** screen, move the slider to **Audio** or **Video**.
 3. Enter a number on the dialpad or select **Keyboard** to enter characters.
 4. Select **Call**.

End a Call
 When your call is complete, hang up the call. If you have content such as blackboards, whiteboards, or snapshots, the system asks if you want to keep them.
 In a call, do one of the following:
 • On your remote control, press **Hang Up**.
 • On the screen, select **Menu** > **Hang Up**.

LED Status Indicators
 Solid white - Device is idle and standing by
 Pulsing white - Boot initiation in progress
 Pulsing amber - Firmware update or factor restore in progress
 Blinking blue and white - Bluetooth pairing
 Solid blue - Bluetooth paired
 Solid green - Active call in progress
 Solid red - Audio mute



- 1 Screen
- 2 Microphone Array
- 3 Speakers
- 4 Dual cameras
- 5 LED indicators



- 1 HDMI output for the secondary monitor
- 2 HDMI output for the primary monitor
- 3 HDMI input for sharing content (for example, from a laptop)
- 4 USB-A ports
- 5 USB-C port
- 6 3.5 mm audio line in
- 7 3.5 mm audio line out
- 8 Expansion microphone connection
- 9 LAN connection for the system
- 10 LLN port
- 11 Power cord port

Maintenance Instructions
 1. Unplug all cables from the device.
 2. Spray a medicinal isopropyl alcohol and water solution of 70:30 onto a clean, dry, microfiber cloth, making sure to not oversaturate the cloth.
 3. Gently wipe the fabric and surrounding areas.
 4. Let the fabric and surrounding areas air-dry completely before reconnecting any cables.

Troubleshooting
 Search for product information and answers in the Product Documentation at <https://docs.poly.com>.
 Find troubleshooting information in the Knowledge Base at <https://h30434.www3.hp.com/>.
 Contact Technical Support at <https://www.hp.com/us-en/contact-hp/contact.html>.

Recycling Poly Products
 Poly offers free recycling of its branded products to users. Detailed information is available at hp.com/recycle.

Storage and Transportation
 Should you need to store the product for a long period of time, you may switch off the mains power supply. Note: Removing power from the product makes it inaccessible remotely for software updates, diagnosis and management.

Period of storage: 7 years under appropriate storage conditions
 Storage temperature: -40°C to 60°C
 Storage humidity (non-condensing): 5% to 95%
 Transportation temperature: -40°C to 70°C
 Transportation humidity (non-condensing): 5% to 95%
 Maximum altitude: 4876.8 m (16, 000 ft)

Manufacturing
 Find the date of manufacture on the outer packaging of the product in the following

format: YYYYMM.

Product Serial Number
 The product serial number is included on the serial number label in the following format: PMYYYYWAAAAAA#.

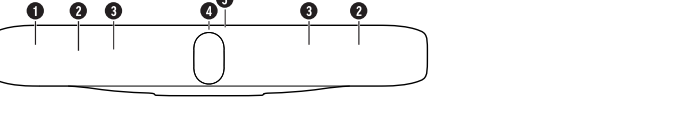
Safety and Regulatory
 See the enclosed printed Safety Insert, and refer to the *Poly Studio X Family Safety and Regulatory Guide* on [hp.support.com/poly](https://support.hp.com/poly) for all regulatory and safety guidance prior to setup and configuration.

ar ARABIC

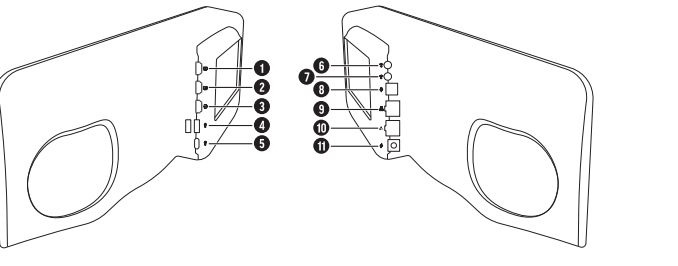
- A** Ensure tab is securely centered in slot.
- B** Cable included

Product Description and Specifications
 Poly Studio X72 is an all-in-one video bar for large conference spaces.
 Camera resolution: 2160p, 4K UHD (3840 x 2160)
 Camera type: Dual-lens
 Sensitivity (speaker): 83dB (mid speakers); 89 dB (tweeter speakers)
 Speaker type: Two-way stereo speakers
 Video frame rate: 5 - 30fps
 Operating temperature: 32 to 104 °F
 Minimum dimensions: 331 x 5.3 x 4.6 in
 Diagonal field of view (dFoV): 140° (wide); 78° (narrow)
 Horizontal field of view (hFoV): 120° (wide); 70° (narrow)
 Microphone pickup range (imperial): Up to 25 ft

Power
 Auto sensing power supply
 37 VA @ 120 V @ 60 Hz
 37 VA @ 230 V @ 50/60 Hz
 65 BTU h
 Input: 100-240VAC, 1.5A, 50/60Hz
 Output: 12V DC, 5.0A
 Power Supply Model: S065-1A120500B3



- 1 Screen
- 2 Microphone Array
- 3 Speakers
- 4 Dual cameras
- 5 LED indicators



- 1 HDMI output for the secondary monitor
- 2 HDMI output for the primary monitor
- 3 HDMI input for sharing content (for example, from a laptop)
- 4 USB-A ports
- 5 USB-C port
- 6 3.5 mm audio line in
- 7 3.5 mm audio line out
- 8 Expansion microphone connection
- 9 LAN connection for the system
- 10 LLN port
- 11 Power cord port

LED Status Indicators
 Solid white - Device is idle and standing by
 Pulsing white - Boot initiation in progress
 Pulsing amber - Firmware update or factor restore in progress
 Blinking blue and white - Bluetooth pairing
 Solid blue - Bluetooth paired
 Solid green - Active call in progress
 Solid red - Audio mute

Maintenance Instructions
 1. Unplug all cables from the device.
 2. Spray a medicinal isopropyl alcohol and water solution of 70:30 onto a clean, dry, microfiber cloth, making sure to not oversaturate the cloth.
 3. Gently wipe the fabric and surrounding areas.
 4. Let the fabric and surrounding areas air-dry completely before reconnecting any cables.

Troubleshooting
 Search for product information and answers in the Product Documentation at <https://docs.poly.com>.
 Find troubleshooting information in the Knowledge Base at <https://h30434.www3.hp.com/>.
 Contact Technical Support at <https://www.hp.com/us-en/contact-hp/contact.html>.

Storage and Transportation
 Should you need to store the product for a long period of time, you may switch off the mains power supply. Note: Removing power from the product makes it inaccessible remotely for software updates, diagnosis and management.

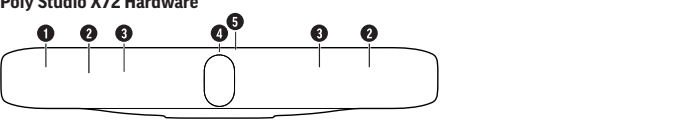
Period of storage: 7 years under appropriate storage conditions
 Storage temperature: -40°C to 60°C
 Storage humidity (non-condensing): 5% to 95%
 Transportation temperature: -40°C to 70°C
 Transportation humidity (non-condensing): 5% to 95%
 Maximum altitude: 4876.8 m (16, 000 ft)

Safety and Regulatory
 See the enclosed printed Safety Insert, and refer to the *Poly Studio X Family Safety and Regulatory Guide* on [hp.support.com/poly](https://support.hp.com/poly) for all regulatory and safety guidance prior to setup and configuration.

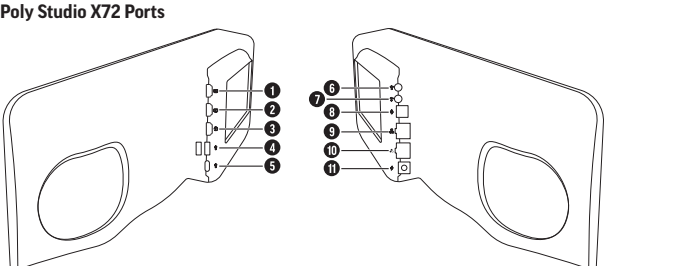
es SPANISH

- A** Ensure tab is securely centered in slot.
- B** Cable included

Power
 Auto sensing power supply
 37 VA @ 120 V @ 60 Hz
 37 VA @ 230 V @ 50/60 Hz
 65 BTU h
 Input: 100-240VAC, 1.5A, 50/60Hz
 Output: 12V DC, 5.0A
 Power Supply Model: S065-1A120500B3



- 1 Screen
- 2 Microphone Array
- 3 Speakers
- 4 Dual cameras
- 5 LED indicators



- 1 HDMI output for the secondary monitor
- 2 HDMI output for the primary monitor
- 3 HDMI input for sharing content (for example, from a laptop)
- 4 USB-A ports
- 5 USB-C port
- 6 3.5 mm audio line in
- 7 3.5 mm audio line out
- 8 Expansion microphone connection
- 9 LAN connection for the system
- 10 LLN port
- 11 Power cord port

Maintenance Instructions
 1. Unplug all cables from the device.
 2. Spray a medicinal isopropyl alcohol and water solution of 70:30 onto a clean, dry, microfiber cloth, making sure to not oversaturate the cloth.
 3. Gently wipe the fabric and surrounding areas.
 4. Let the fabric and surrounding areas air-dry completely before reconnecting any cables.

Troubleshooting
 Search for product information and answers in the Product Documentation at <https://docs.poly.com>.
 Find troubleshooting information in the Knowledge Base at <https://h30434.www3.hp.com/>.
 Contact Technical Support at <https://www.hp.com/us-en/contact-hp/contact.html>.

Safety and Regulatory
 See the enclosed printed Safety Insert, and refer to the *Poly Studio X Family Safety and Regulatory Guide* on [hp.support.com/poly](https://support.hp.com/poly) for all regulatory and safety guidance prior to setup and configuration.

id INDONESIAN

Nomor Registrasi di Kementerian Perdagangan: IMKG.205.01.2024
Importir: PT. Hewlett-Packard Indonesia
Alamat: Gedung Perkantoran Prudential Centre, Kota Kasablanka Lantai 9, JL. Casablanca Kav. 88 Menteng Dalam, Tebet. 12870 Jakarta Selatan, Indonesia

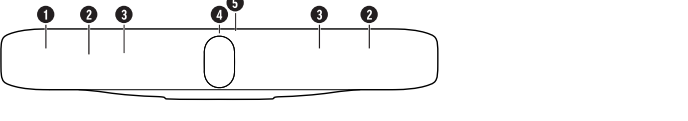
- A** Ensure tab is securely centered in slot.
- B** Cable included

Product Description and Specifications
 Poly Studio X72 is an all-in-one video bar for large conference spaces.
 Camera resolution: 2160p, 4K UHD (3840 x 2160)
 Camera type: Dual-lens
 Sensitivity (speaker): 83dB (mid speakers); 89 dB (tweeter speakers)
 Speaker type: Two-way stereo speakers
 Video frame rate: 5 - 30fps
 Operating temperature: 32 to 104 °F
 Minimum dimensions: 331 x 5.3 x 4.6 in
 Diagonal field of view (dFoV): 140° (wide); 78° (narrow)
 Horizontal field of view (hFoV): 120° (wide); 70° (narrow)
 Microphone pickup range (imperial): Up to 25 ft

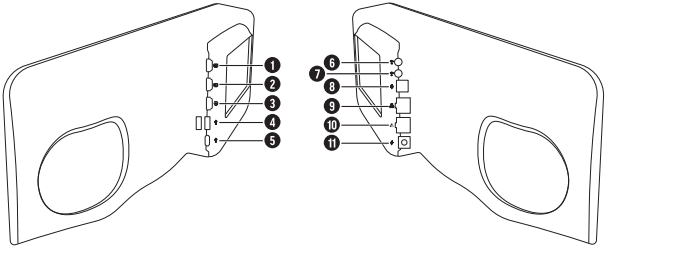
Power
 Auto sensing power supply
 37 VA @ 120 V @ 60 Hz
 37 VA @ 230 V @ 50/60 Hz
 65 BTU h
 Input: 100-240VAC, 1.5A, 50/60Hz
 Output: 12V DC, 5.0A
 Power Supply Model: S065-1A120500B3

Instructions for Use
Place a Call
 You can place an audio or video call to a contact.
 1. Go to **Place a Call**.
 2. On the **Dialpad** screen, move the slider to **Audio** or **Video**.
 3. Enter a number on the dialpad or select **Keyboard** to enter characters.
 4. Select **Call**.

End a Call
 When your call is complete, hang up the call. If you have content such as blackboards, whiteboards, or snapshots, the system asks if you want to keep them.
 In a call, do one of the following:
 • On your remote control, press **Hang Up**.
 • On the screen, select **Menu** > **Hang Up**.



- 1 Screen
- 2 Microphone Array
- 3 Speakers
- 4 Dual cameras
- 5 LED indicators



- 1 HDMI output for the secondary monitor
- 2 HDMI output for the primary monitor
- 3 HDMI input for sharing content (for example, from a laptop)
- 4 USB-A ports
- 5 USB-C port
- 6 3.5 mm audio line in
- 7 3.5 mm audio line out
- 8 Expansion microphone connection
- 9 LAN connection for the system
- 10 LLN port
- 11 Power cord port

LED Status Indicators
 Solid white - Powered on and ready; out of a call and idle; attached to a system in a call, but the camera and microphone are idle
 Pulsing white - Boot initialization in progress
 Pulsing amber - Firmware update in progress
 Alternating blue and white - Bluetooth in discovery mode
 Solid blue - Bluetooth paired
 Solid green - Microphone in use during a call; camera is active
 Solid dim green - Speaker is outside the range of Acoustic Fence with Beam Shaping
 Solid red - Muted microphone
 Red blinking three times - Muted audio but speaking voice detected

Maintenance Instructions
 1. Unplug all cables from the device.
 2. Spray a medicinal isopropyl alcohol and water solution of 70:30 onto a clean, dry, microfiber cloth, making sure to not oversaturate the cloth.
 3. Gently wipe the fabric and surrounding areas.
 4. Let the fabric and surrounding areas air-dry completely before reconnecting any cables.

Troubleshooting
 Search for product information and answers in the Product Documentation at <https://docs.poly.com>.
 Find troubleshooting information in the Knowledge Base at <https://h30434.www3.hp.com/>.
 Contact Technical Support at <https://www.hp.com/us-en/contact-hp/contact.html>.

Safety and Regulatory
 See the enclosed printed Safety Insert, and refer to the *Poly Studio X Family Safety and Regulatory Guide* on [hp.support.com/poly](https://support.hp.com/poly) for all regulatory and safety guidance prior to setup and configuration.

ko KOREAN

- A** Ensure tab is securely centered in slot.
- B** Cable included

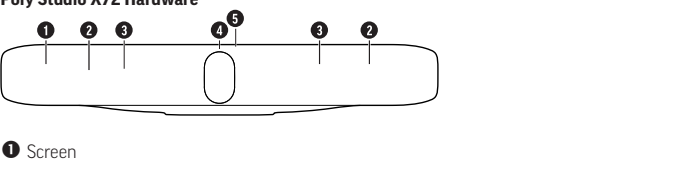
Product Description and Specifications
 Poly Studio X72 is an all-in-one video bar for large conference spaces.
 Camera resolution: 2160p, 4K UHD (3840 x 2160)
 Camera type: Dual-lens
 Sensitivity (speaker): 83dB (mid speakers); 89 dB (tweeter speakers)
 Speaker type: Two-way stereo speakers
 Video frame rate: 5 - 30fps
 Operating temperature: 32 to 104 °F
 Minimum dimensions: 331 x 5.3 x 4.6 in
 Diagonal field of view (dFoV): 140° (wide); 78° (narrow)
 Horizontal field of view (hFoV): 120° (wide); 70° (narrow)
 Microphone pickup range (imperial): Up to 25 ft

kz KAZAKH

- A** Ensure tab is securely centered in slot.
- B** Cable included

Product Description and Specifications
 Poly Studio X72 is an all-in-one video bar for large conference spaces.
 Camera resolution: 2160p, 4K UHD (3840 x 2160)
 Camera type: Dual-lens
 Sensitivity (speaker): 83dB (mid speakers); 89 dB (tweeter speakers)
 Speaker type: Two-way stereo speakers
 Video frame rate: 5 - 30fps
 Operating temperature: 32 to 104 °F
 Minimum dimensions: 331 x 5.3 x 4.6 in
 Diagonal field of view (dFoV): 140° (wide); 78° (narrow)
 Horizontal field of view (hFoV): 120° (wide); 70° (narrow)
 Microphone pickup range (imperial): Up to 25 ft

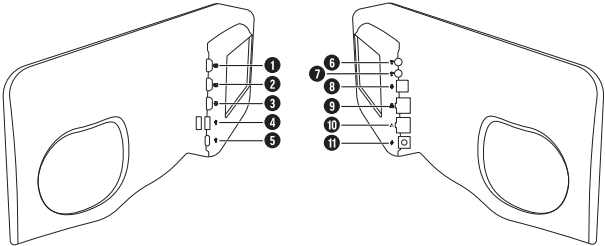
Power
 Auto sensing power supply
 37 VA @ 120 V @ 60 Hz
 37 VA @ 230 V @ 50/60 Hz
 65 BTU h
 Input: 100-240VAC, 1.5A, 50/60Hz
 Output: 12V DC, 5.0A
 Power Supply Model: S065-1A120500B3



- 1 Screen

- ➊ Microphone Array
- ➋ Speakers
- ➌ Dual cameras
- ➍ LED indicators

Poly Studio X72 Ports



- ➊ HDMI output for the secondary monitor
- ➋ HDMI output for the primary monitor
- ➌ HDMI input for sharing content (for example, from a laptop)
- ➍ USB-A ports
- ➎ USB-C port
- ➏ 3.5 mm audio line in
- ➐ 3.5 mm audio line out
- ➑ Expansion microphone connection
- ➒ LAN connection for the system
- ➓ LLN port
- Ⓜ Power cord port

LED Status Indicators

Solid white - Device is idle and standing by
Pulsing white - Boot initiation in progress
Pulsing amber - Firmware update or factor restore in progress
Blinking blue and white - Bluetooth pairing
Solid blue - Bluetooth paired
Solid green - Active call in progress
Solid red - Audio mute

Maintenance Instructions

- Unplug all cables from the device.
- Spray a medicinal isopropyl alcohol and water solution of 70:30 onto a clean, dry, microfiber cloth, making sure to not oversaturate the cloth.
- Gently wipe the fabric and surrounding areas.
- Let the fabric and surrounding areas air-dry completely before reconnecting any cables.

Troubleshooting

Search for product information and answers in the Product Documentation at <https://docs.poly.com>.

Find troubleshooting information in the Knowledge Base at <https://h30434.www3.hp.com/>. Contact Technical Support at <https://www.hp.com/us-en/contact-hp/contact.html>.

Storage and Transportation

Should you need to store the product for a long period of time, you may switch off the mains power supply. Note: Removing power from the product makes it inaccessible remotely for software updates, diagnosis and management.

Period of storage: 7 years under appropriate storage conditions
Storage temperature: -40°C to 60°C
Storage humidity (non-condensing): 5% to 95%
Transportation temperature: -40°C to 70°C
Transportation humidity (non-condensing): 5% to 95%
Maximum altitude: 4876.8 m (16, 000 ft)

Manufacturing

Find the date of manufacture on the outer packaging of the product in the following format: YYYYMM.

Safety and Regulatory

See the enclosed printed Safety Insert, and refer to the *Poly Studio X Family Safety and Regulatory Guide* on <hp.support.com/poly> for all regulatory and safety guidance prior to setup and configuration.

Local Representative

HP Global Trading B.V., Kazakhstan Branch, Republic of Kazakhstan, 050040, Almaty, Bostandykskiy District, Al Farabi Avenue 77/7

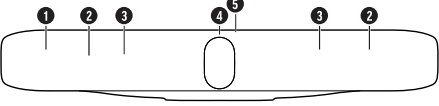
pt PORTUGUESE

- ➊ Ensure tab is securely centered in slot.
- ➋ Cable included

Power

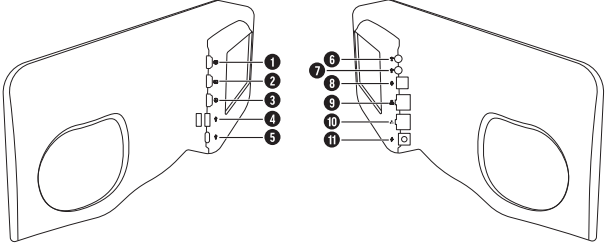
Auto sensing power supply
37 VA @ 120 V @ 60 Hz
37 VA @ 230 V @ 50/60 Hz
65 BTU h
Input: 100-240VAC, 1.5A, 50/60Hz
Output: 12V DC, 5.0A
Power Supply Model: S065-1A120500B3

Poly Studio X72 Hardware



- ➊ Screen
- ➋ Microphone Array
- ➌ Speakers
- ➍ Dual cameras
- ➎ LED indicators

Poly Studio X72 Ports



- ➊ HDMI output for the secondary monitor
- ➋ HDMI output for the primary monitor
- ➌ HDMI input for sharing content (for example, from a laptop)
- ➍ USB-A ports
- ➎ USB-C port
- ➏ 3.5 mm audio line in
- ➐ 3.5 mm audio line out
- ➑ Expansion microphone connection
- ➒ LAN connection for the system
- ➓ LLN port
- Ⓜ Power cord port

Maintenance Instructions

- Unplug all cables from the device.
- Spray a medicinal isopropyl alcohol and water solution of 70:30 onto a clean, dry, microfiber cloth, making sure to not oversaturate the cloth.
- Gently wipe the fabric and surrounding areas.
- Let the fabric and surrounding areas air-dry completely before reconnecting any cables.

Troubleshooting

Search for product information and answers in the Product Documentation at <https://docs.poly.com>.

Find troubleshooting information in the Knowledge Base at <https://h30434.www3.hp.com/>. Contact Technical Support at <https://www.hp.com/us-en/contact-hp/contact.html>.

Safety and Regulatory

See the enclosed printed Safety Insert, and refer to the *Poly Studio X Family Safety and Regulatory Guide* on <hp.support.com/poly> for all regulatory and safety guidance prior to setup and configuration.

Este equipamento não tem direito à proteção contra interferência prejudicial e não pode causar interferência em sistemas devidamente autorizados. Para maiores informações consulte o site da ANATEL - www.anatel.gov.br.

ru RUSSIAN

ERC

- ➊ Ensure tab is securely centered in slot.
- ➋ Cable included

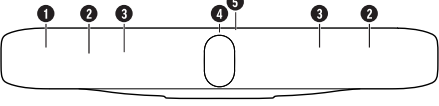
Product Description and Specifications

Poly Studio X72 is an all-in-one video bar for large conference spaces.
Camera resolution: 2160p, 4K UHD (3840 x 2160)
Camera type: Dual-lens
Sensitivity (speaker): 83dB (mid speakers); 89 dB (tweeter speakers)
Speaker type: Two-way stereo speakers
Video frame rate: 5 - 30fps
Operating temperature: 32 to 104 °F
Minimum dimensions: 33.1 x 5.3 x 4.6 in
Diagonal field of view (dFoV): 140° (wide); 78° (narrow)
Horizontal field of view (hFoV): 120° (wide); 70° (narrow)
Microphone pickup range (Imperial): Up to 25 ft

Power

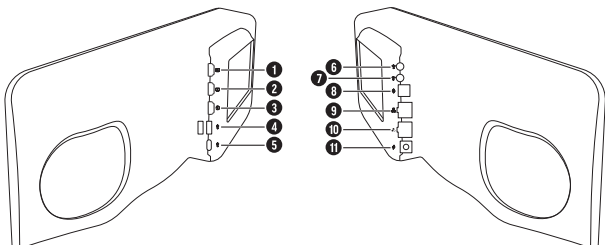
Auto sensing power supply
37 VA @ 120 V @ 60 Hz
37 VA @ 230 V @ 50/60 Hz
65 BTU h
Input: 100-240VAC, 1.5A, 50/60Hz
Output: 12V DC, 5.0A
Power Supply Model: S065-1A120500B3

Poly Studio X72 Hardware



- ➊ Screen
- ➋ Microphone Array
- ➌ Speakers
- ➍ Dual cameras
- ➎ LED indicators

Poly Studio X72 Ports



- ➊ HDMI output for the secondary monitor
- ➋ HDMI output for the primary monitor
- ➌ HDMI input for sharing content (for example, from a laptop)
- ➍ USB-A ports
- ➎ USB-C port
- ➏ 3.5 mm audio line in
- ➐ 3.5 mm audio line out
- ➑ Expansion microphone connection
- ➒ LAN connection for the system
- ➓ LLN port
- Ⓜ Power cord port

LED Status Indicators

Solid white - Device is idle and standing by
Pulsing white - Boot initiation in progress
Pulsing amber - Firmware update or factor restore in progress
Blinking blue and white - Bluetooth pairing
Solid blue - Bluetooth paired
Solid green - Active call in progress
Solid red - Audio mute

Maintenance Instructions

- Unplug all cables from the device.
- Spray a medicinal isopropyl alcohol and water solution of 70:30 onto a clean, dry, microfiber cloth, making sure to not oversaturate the cloth.
- Gently wipe the fabric and surrounding areas.
- Let the fabric and surrounding areas air-dry completely before reconnecting any cables.

Troubleshooting

Search for product information and answers in the Product Documentation at <https://docs.poly.com>.

Find troubleshooting information in the Knowledge Base at <https://h30434.www3.hp.com/>. Contact Technical Support at <https://www.hp.com/us-en/contact-hp/contact.html>.

Storage and Transportation

Should you need to store the product for a long period of time, you may switch off the mains power supply. Note: Removing power from the product makes it inaccessible remotely for software updates, diagnosis and management.

Period of storage: 7 years under appropriate storage conditions
Storage temperature: -40°C to 60°C
Storage humidity (non-condensing): 5% to 95%
Transportation temperature: -40°C to 70°C
Transportation humidity (non-condensing): 5% to 95%
Maximum altitude: 4876.8 m (16, 000 ft)

Manufacturing

Find the date of manufacture on the outer packaging of the product in the following format: YYYYMM.

Safety and Regulatory

See the enclosed printed Safety Insert, and refer to the *Poly Studio X Family Safety and Regulatory Guide* on <hp.support.com/poly> for all regulatory and safety guidance prior to setup and configuration.

sr SERBIA
<ul style="list-style-type: none">➊ Ensure tab is securely centered in slot. ➋ Cable included

Product Description and Specifications

Poly Studio X72 is an all-in-one video bar for large conference spaces.
Camera resolution: 2160p, 4K UHD (3840 x 2160)
Camera type: Dual-lens
Sensitivity (speaker): 83dB (mid speakers); 89 dB (tweeter speakers)
Speaker type: Two-way stereo speakers
Video frame rate: 5 - 30fps
Operating temperature: 32 to 104 °F
Minimum dimensions: 33.1 x 5.3 x 4.6 in
Diagonal field of view (dFoV): 140° (wide); 78° (narrow)
Horizontal field of view (hFoV): 120° (wide); 70° (narrow)
Microphone pickup range (Imperial): Up to 25 ft

Power

Auto sensing power supply
37 VA @ 120 V @ 60 Hz
37 VA @ 230 V @ 50/60 Hz
65 BTU h
Input: 100-240VAC, 1.5A, 50/60Hz
Output: 12V DC, 5.0A
Power Supply Model: S065-1A120500B3

Instructions for Use

Place a Call

You can place an audio or video call to a contact.

- Go to **Place a Call**.
- On the **Dialpad**  screen, move the slider to **Audio**  or **Video** .
- Enter a number on the dialpad or select **Keyboard**  to enter characters.
- Select **Call**.

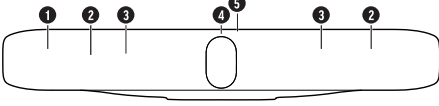
End a Call

When your call is complete, hang up the call. If you have content such as blackboards, whiteboards, or snapshots, the system asks if you want to keep them.

In a call, do one of the following:

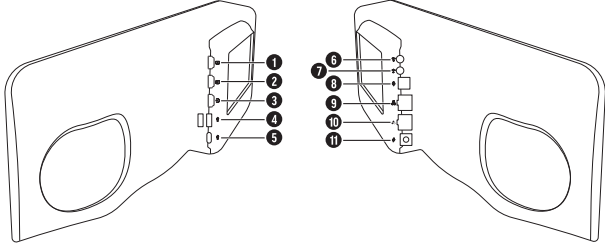
- On your remote control, press **Hang Up** .
- On the screen, select **Menu**  > **Hang Up**.

Poly Studio X72 Hardware



- ➊ Screen
- ➋ Microphone Array
- ➌ Speakers
- ➍ Dual cameras
- ➎ LED indicators

Poly Studio X72 Ports



- ➊ HDMI output for the secondary monitor
- ➋ HDMI output for the primary monitor
- ➌ HDMI input for sharing content (for example, from a laptop)
- ➍ USB-A ports
- ➎ USB-C port
- ➏ 3.5 mm audio line in
- ➐ 3.5 mm audio line out
- ➑ Expansion microphone connection
- ➒ LAN connection for the system
- ➓ LLN port
- Ⓜ Power cord port

LED Status Indicators

Solid white - Device is idle and standing by
Pulsing white - Boot initiation in progress
Pulsing amber - Firmware update or factor restore in progress
Blinking blue and white - Bluetooth pairing
Solid blue - Bluetooth paired
Solid green - Active call in progress
Solid red - Audio mute

Maintenance Instructions

- Unplug all cables from the device.
- Spray a medicinal isopropyl alcohol and water solution of 70:30 onto a clean, dry, microfiber cloth, making sure to not oversaturate the cloth.
- Gently wipe the fabric and surrounding areas.
- Let the fabric and surrounding areas air-dry completely before reconnecting any cables.

Troubleshooting

Search for product information and answers in the Product Documentation at <https://docs.poly.com>.

Find troubleshooting information in the Knowledge Base at <https://h30434.www3.hp.com/>. Contact Technical Support at <https://www.hp.com/us-en/contact-hp/contact.html>.

Storage and Transportation

Should you need to store the product for a long period of time, you may switch off the mains power supply. Note: Removing power from the product makes it inaccessible remotely for software updates, diagnosis and management.

Period of storage: 7 years under appropriate storage conditions
Storage temperature: -40°C to 60°C
Storage humidity (non-condensing): 5% to 95%
Transportation temperature: -40°C to 70°C
Transportation humidity (non-condensing): 5% to 95%
Maximum altitude: 4876.8 m (16, 000 ft)

Safety and Regulatory

See the enclosed printed Safety Insert, and refer to the *Poly Studio X Family Safety and Regulatory Guide* on <hp.support.com/poly> for all regulatory and safety guidance prior to setup and configuration.

tr TURKISH

- ➊ Ensure tab is securely centered in slot.
- ➋ Cable included

Product Description and Specifications

Poly Studio X72 is an all-in-one video bar for large conference spaces.
Camera resolution: 2160p, 4K UHD (3840 x 2160)
Camera type: Dual-lens
Sensitivity (speaker): 83dB (mid speakers); 89 dB (tweeter speakers)
Speaker type: Two-way stereo speakers
Video frame rate: 5 - 30fps
Operating temperature: 32 to 104 °F
Minimum dimensions: 33.1 x 5.3 x 4.6 in

Diagonal field of view (dFoV): 140° (wide); 78° (narrow)

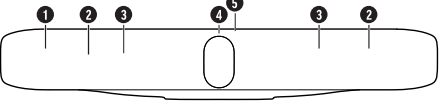
Horizontal field of view (hFoV): 120° (wide); 70° (narrow)

Microphone pickup range (Imperial): Up to 25 ft

Power

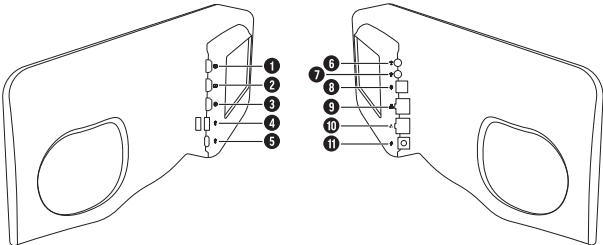
Auto sensing power supply
37 VA @ 120 V @ 60 Hz
37 VA @ 230 V @ 50/60 Hz
65 BTU h
Input: 100-240VAC, 1.5A, 50/60Hz
Output: 12V DC, 5.0A
Power Supply Model: S065-1A120500B3

Poly Studio X72 Hardware



- ➊ Screen
- ➋ Microphone Array
- ➌ Speakers
- ➍ Dual cameras
- ➎ LED indicators

Poly Studio X72 Ports



- ➊ HDMI output for the secondary monitor
- ➋ HDMI output for the primary monitor
- ➌ HDMI input for sharing content (for example, from a laptop)
- ➍ USB-A ports
- ➎ USB-C port
- ➏ 3.5 mm audio line in
- ➐ 3.5 mm audio line out
- ➑ Expansion microphone connection
- ➒ LAN connection for the system
- ➓ LLN port
- Ⓜ Power cord port

LED Status Indicators

Solid white - Device is idle and standing by
Pulsing white - Boot initiation in progress
Pulsing amber - Firmware update or factor restore in progress
Blinking blue and white - Bluetooth pairing
Solid blue - Bluetooth paired
Solid green - Active call in progress
Solid red - Audio mute

Maintenance Instructions

- Unplug all cables from the device.
- Spray a medicinal isopropyl alcohol and water solution of 70:30 onto a clean, dry, microfiber cloth, making sure to not oversaturate the cloth.
- Gently wipe the fabric and surrounding areas.
- Let the fabric and surrounding areas air-dry completely before reconnecting any cables.

Troubleshooting

Search for product information and answers in the Product Documentation at <https://docs.poly.com>.

Find troubleshooting information in the Knowledge Base at <https://h30434.www3.hp.com/>. Contact Technical Support at <https://www.hp.com/us-en/contact-hp/contact.html>.

Storage and Transportation

Should you need to store the product for a long period of time, you may switch off the mains power supply. Note: Removing power from the product makes it inaccessible remotely for software updates, diagnosis and management.

Period of storage: 7 years under appropriate storage conditions

Storage temperature: -40°C to 60°C
Storage humidity (non-condensing): 5% to 95%
Transportation temperature: -40°C to 70°C
Transportation humidity (non-condensing): 5% to 95%
Maximum altitude: 4876.8 m (16, 000 ft)

Manufacturing

Find the date of manufacture on the outer packaging of the product in the following format: YYYYMM.

Safety and Regulatory

See the enclosed printed Safety Insert, and refer to the *Poly Studio X Family Safety and Regulatory Guide* on <hp.support.com/poly> for all regulatory and safety guidance prior to setup and configuration.

ua UKRAINIAN

- ➊ Ensure tab is securely centered in slot.
- ➋ Cable included

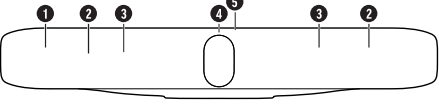
Product Description and Specifications

Poly Studio X72 is an all-in-one video bar for large conference spaces.
Camera resolution: 2160p, 4K UHD (3840 x 2160)
Camera type: Dual-lens
Sensitivity (speaker): 83dB (mid speakers); 89 dB (tweeter speakers)
Speaker type: Two-way stereo speakers
Video frame rate: 5 - 30fps
Operating temperature: 32 to 104 °F
Minimum dimensions: 33.1 x 5.3 x 4.6 in
Diagonal field of view (dFoV): 140° (wide); 78° (narrow)
Horizontal field of view (hFoV): 120° (wide); 70° (narrow)
Microphone pickup range (Imperial): Up to 25 ft

Power

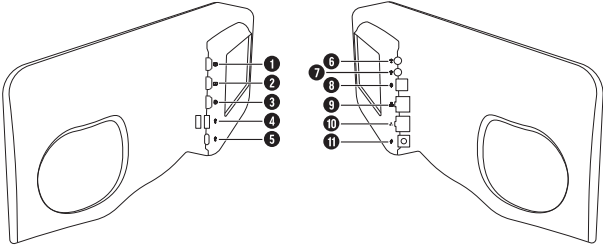
Auto sensing power supply
37 VA @ 120 V @ 60 Hz
37 VA @ 230 V @ 50/60 Hz
65 BTU h
Input: 100-240VAC, 1.5A, 50/60Hz
Output: 12V DC, 5.0A
Power Supply Model: S065-1A120500B3

Poly Studio X72 Hardware



- ➊ Screen
- ➋ Microphone Array
- ➌ Speakers
- ➍ Dual cameras
- ➎ LED indicators

Poly Studio X72 Ports



- ➊ HDMI output for the secondary monitor
- ➋ HDMI output for the primary monitor
- ➌ HDMI input for sharing content (for example, from a laptop)
- ➍ USB-A ports
- ➎ USB-C port
- ➏ 3.5 mm audio line in
- ➐ 3.5 mm audio line out
- ➑ Expansion microphone connection
- ➒ LAN connection for the system
- ➓ LLN port
- Ⓜ Power cord port

LED Status Indicators

Solid white - Device is idle and standing by
Pulsing white - Boot initiation in progress
Pulsing amber - Firmware update or factor restore in progress
Blinking blue and white - Bluetooth pairing
Solid blue - Bluetooth paired
Solid green - Active call in progress
Solid red - Audio mute

Maintenance Instructions

- Unplug all cables from the device.
- Spray a medicinal isopropyl alcohol and water solution of 70:30 onto a clean, dry, microfiber cloth, making sure to not oversaturate the cloth.
- Gently wipe the fabric and surrounding areas.
- Let the fabric and surrounding areas air-dry completely before reconnecting any cables.

Troubleshooting

Search for product information and answers in the Product Documentation at <https://docs.poly.com>.

Find troubleshooting information in the Knowledge Base at <https://h30434.www3.hp.com/>. Contact Technical Support at <https://www.hp.com/us-en/contact-hp/contact.html>.

Storage and Transportation

Should you need to store the product for a long period of time, you may switch off the mains power supply. Note: Removing power from the product makes it inaccessible remotely for software updates, diagnosis and management.

Period of storage: 7 years under appropriate storage conditions

Storage temperature: -40°C to 60°C
Storage humidity (non-condensing): 5% to 95%
Transportation temperature: -40°C to 70°C
Transportation humidity (non-condensing): 5% to 95%
Maximum altitude: 4876.8 m (16, 000 ft)

Safety and Regulatory

See the enclosed printed Safety Insert, and refer to the *Poly Studio X Family Safety and Regulatory Guide* on <hp.support.com/poly> for all regulatory and safety guidance prior to setup and configuration.