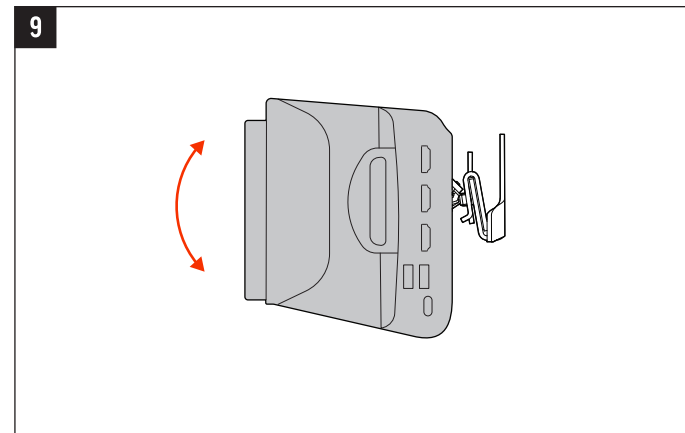
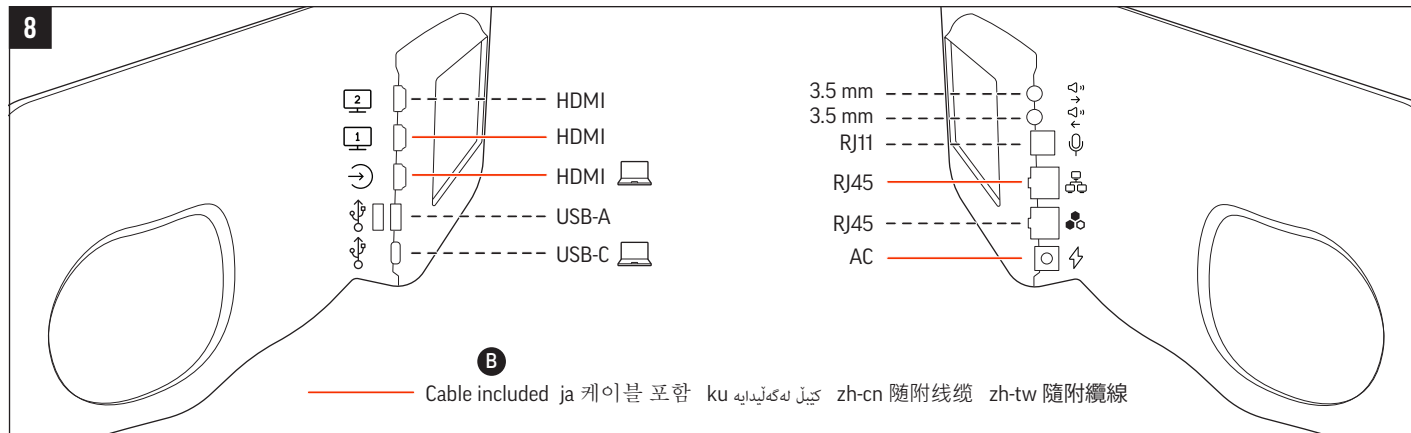
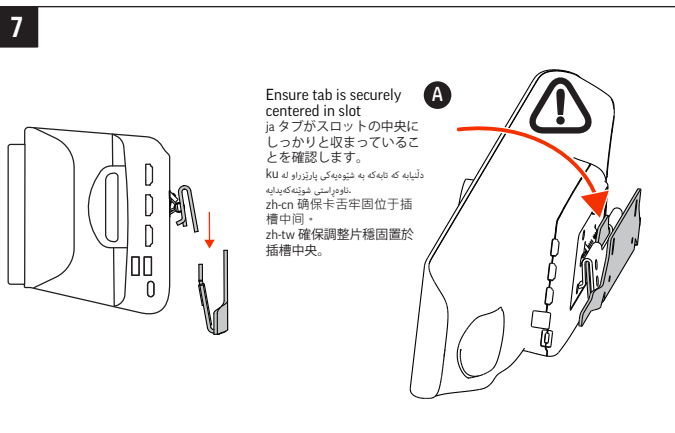
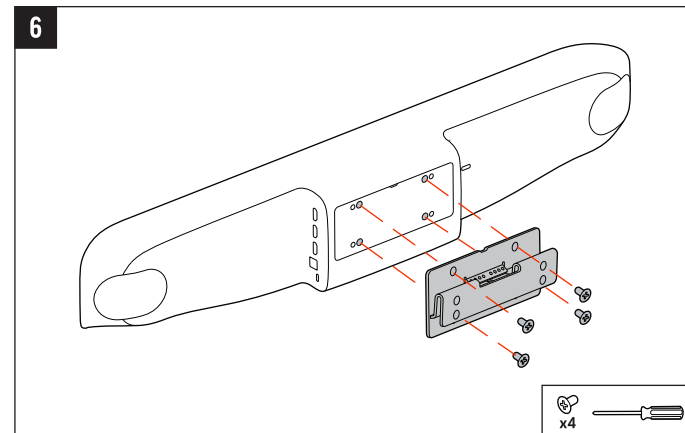
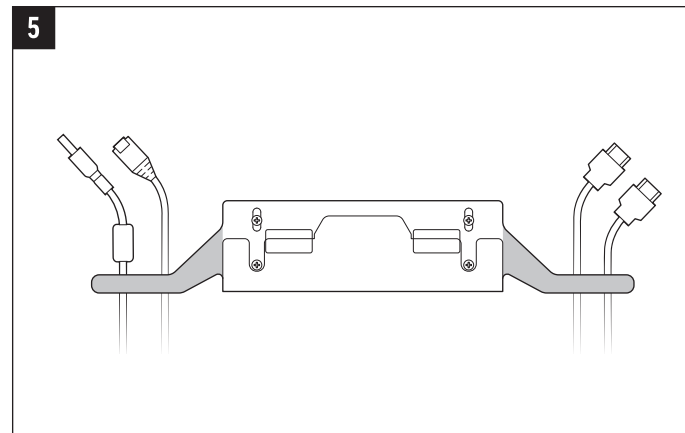
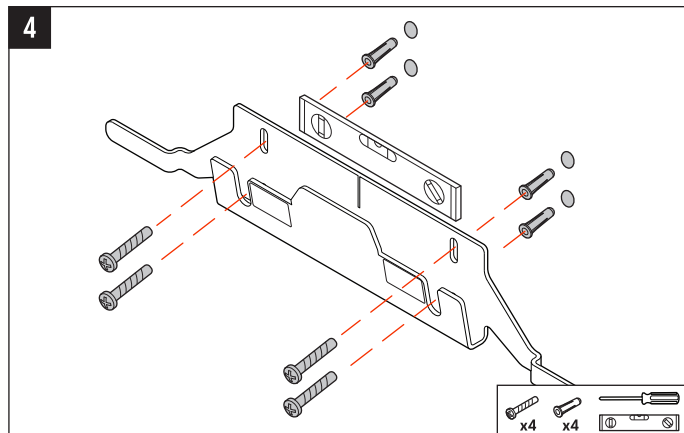
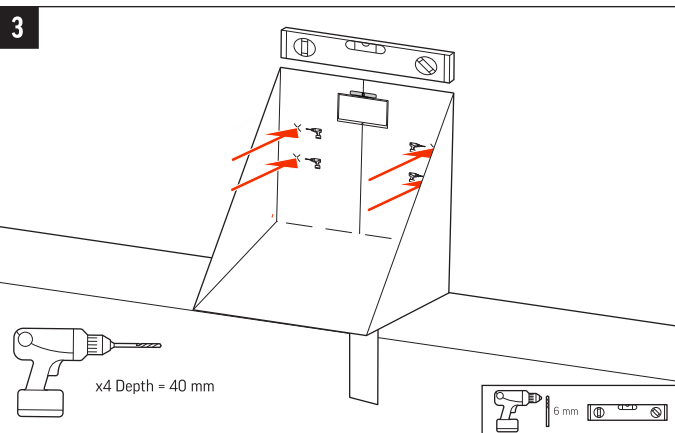
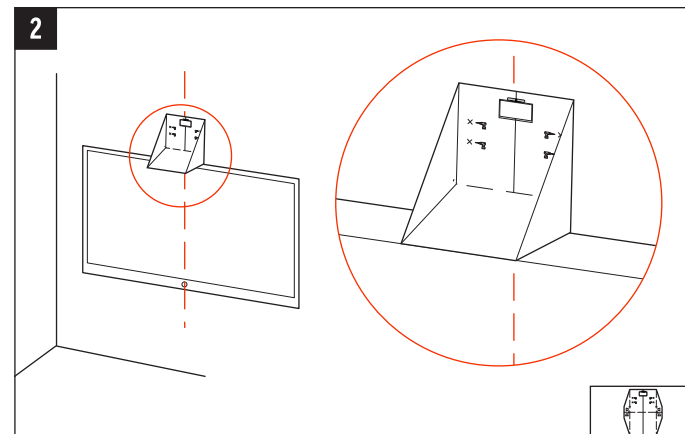
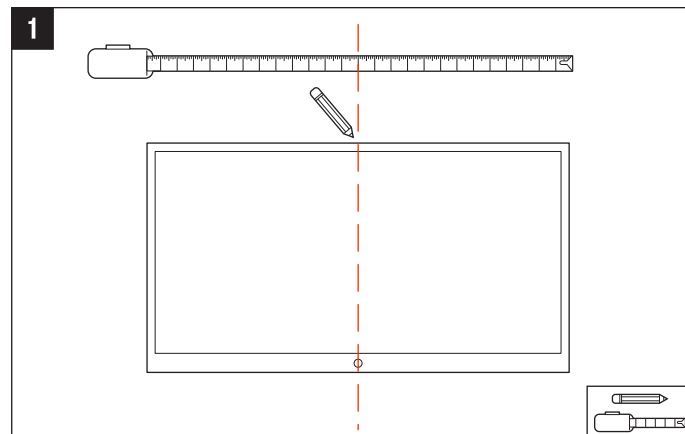
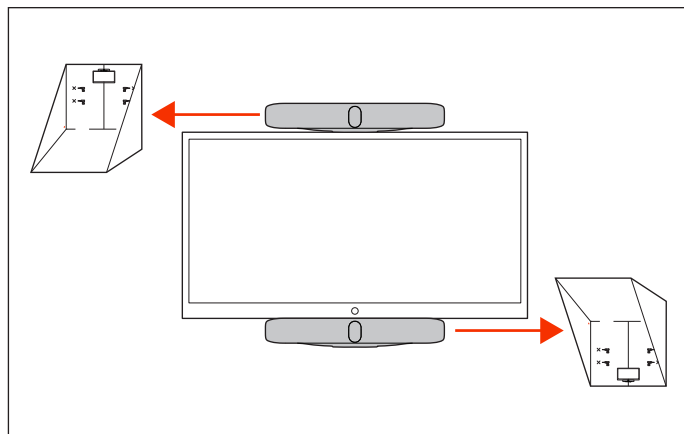
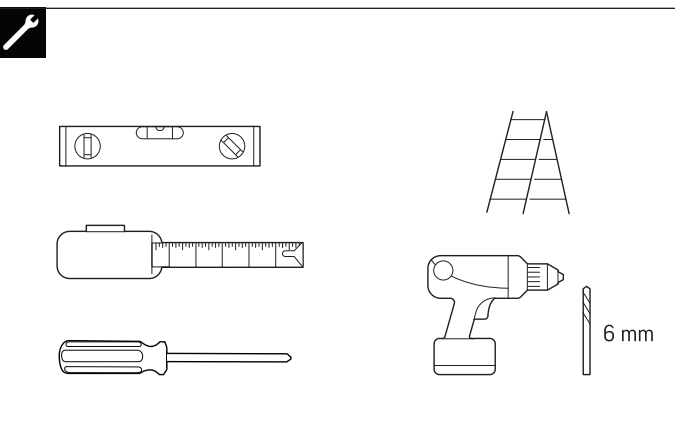


POLY STUDIO V72



en ENGLISH

- A** Ensure tab is securely centered in slot.
- B** Cable included

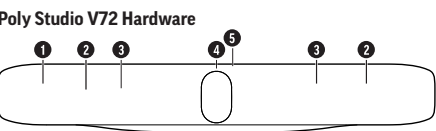
Product Description and Specifications
Poly Studio V72 is an all-in-one video bar for large conference spaces.
Camera resolution: 2160p, 4K UHD (3840 x 2160)
Camera type: Dual-lens
Sensitivity (speaker): 83dB (mid speakers); 89 dB (tweeter speakers)
Speaker type: Two-way stereo speakers
Video frame rate: 5 - 30fps
Operating temperature: 32 to 104 °F
Minimum dimensions: 33.1 x 5.3 x 4.6 in
Diagonal field of view (dFoV): 140° (wide); 78° (narrow)
Horizontal field of view (hFoV): 120° (wide); 70° (narrow)
Microphone pickup range (imperial): Up to 25 ft

Power
Auto sensing power supply
37 VA @ 120 V @ 60 Hz
37 VA @ 230 V @ 50/60 Hz
65 BTU h
Input: 100-240VAC, 1.5A, 50/60Hz
Output: 12V DC, 5.0A
Power Supply Model: S065-1A120500B3

Instructions for Use
Place a Call
You can place an audio or video call to a contact.
1. Go to **Place a Call**.
2. On the **Dialpad** screen, move the slider to **Audio** or **Video**.
3. Enter a number on the dialpad or select **Keyboard** to enter characters.
4. Select **Call**.

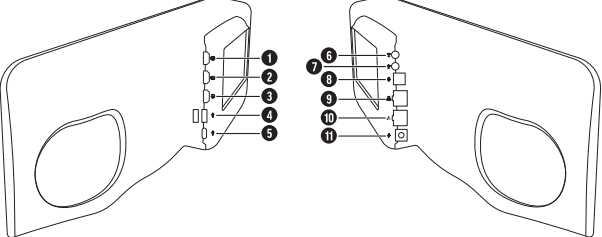
End a Call
When your call is complete, hang up the call. If you have content such as blackboards, whiteboards, or snapshots, the system asks if you want to keep them.
In a call, do one of the following:
• On your remote control, press **Hang Up**.
• On the screen, select **Menu** > **Hang Up**.

LED Status Indicators
Solid white - Device is idle and standing by
Pulsing white - Boot initiation in progress
Pulsing amber - Firmware update or factor restore in progress
Blinking blue and white - Bluetooth pairing
Solid blue - Bluetooth paired
Solid green - Active call in progress
Solid red - Audio mute



- 1 Screen
- 2 Microphone Array
- 3 Speakers
- 4 Dual cameras
- 5 LED indicators

Poly Studio V72 Ports



- 1 HDMI output for the secondary monitor
- 2 HDMI output for the primary monitor
- 3 HDMI input for sharing content (for example, from a laptop)
- 4 USB-A ports
- 5 USB-C port
- 6 3.5 mm audio line in
- 7 3.5 mm audio line out
- 8 Expansion microphone connection
- 9 LAN connection for the system
- 10 LLN port
- 11 Power cord port

Maintenance Instructions
1. Unplug all cables from the device.
2. Spray a medicinal isopropyl alcohol and water solution of 70:30 onto a clean, dry, microfiber cloth, making sure to not oversaturate the cloth.
3. Gently wipe the fabric and surrounding areas.
4. Let the fabric and surrounding areas air-dry completely before reconnecting any cables.

Troubleshooting
Search for product information and answers in the Product Documentation at <https://docs.poly.com>.
Find troubleshooting information in the Knowledge Base at <https://h30434.www3.hp.com/>.
Contact Technical Support at <https://www.hp.com/us-en/contact-hp/contact.html>.

Recycling Poly Products
Poly offers free recycling of its branded products to users. Detailed information is available at hp.com/recycle.

Storage and Transportation
Should you need to store the product for a long period of time, you may switch off the mains power supply. Note: Removing power from the product makes it inaccessible remotely for software updates, diagnosis and management.

Period of storage: 7 years under appropriate storage conditions
Storage temperature: -40°C to 60°C
Storage humidity (non-condensing): 5% to 95%
Transportation temperature: -40°C to 70°C
Transportation humidity (non-condensing): 5% to 95%
Maximum altitude: 4876.8 m (16, 000 ft)

Manufacturing
Find the date of manufacture on the outer packaging of the product in the following

format: YYYYMM.

Product Serial Number
The product serial number is included on the serial number label in the following format: PMYYYYWAAAAAA##.

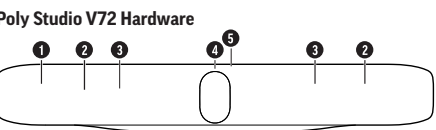
Safety and Regulatory
See the enclosed printed Safety Insert, and refer to the *Poly Studio X Family Safety and Regulatory Guide* on [hp.support.com/poly](https://support.hp.com/poly) for all regulatory and safety guidance prior to setup and configuration.

ar ARABIC

- A** Ensure tab is securely centered in slot.
- B** Cable included

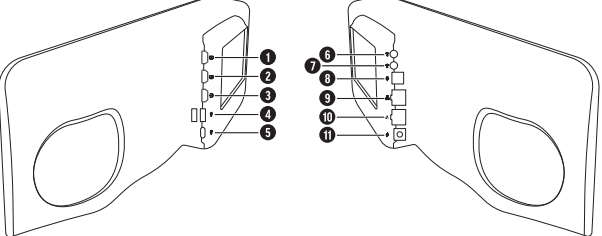
Product Description and Specifications
Poly Studio V72 is an all-in-one video bar for large conference spaces.
Camera resolution: 2160p, 4K UHD (3840 x 2160)
Camera type: Dual-lens
Sensitivity (speaker): 83dB (mid speakers); 89 dB (tweeter speakers)
Speaker type: Two-way stereo speakers
Video frame rate: 5 - 30fps
Operating temperature: 32 to 104 °F
Minimum dimensions: 33.1 x 5.3 x 4.6 in
Diagonal field of view (dFoV): 140° (wide); 78° (narrow)
Horizontal field of view (hFoV): 120° (wide); 70° (narrow)
Microphone pickup range (imperial): Up to 25 ft

Power
Auto sensing power supply
37 VA @ 120 V @ 60 Hz
37 VA @ 230 V @ 50/60 Hz
65 BTU h
Input: 100-240VAC, 1.5A, 50/60Hz
Output: 12V DC, 5.0A
Power Supply Model: S065-1A120500B3



- 1 Screen
- 2 Microphone Array
- 3 Speakers
- 4 Dual cameras
- 5 LED indicators

Poly Studio V72 Ports



- 1 HDMI output for the secondary monitor
- 2 HDMI output for the primary monitor
- 3 HDMI input for sharing content (for example, from a laptop)
- 4 USB-A ports
- 5 USB-C port
- 6 3.5 mm audio line in
- 7 3.5 mm audio line out
- 8 Expansion microphone connection
- 9 LAN connection for the system
- 10 LLN port
- 11 Power cord port

LED Status Indicators
Solid white - Device is idle and standing by
Pulsing white - Boot initiation in progress
Pulsing amber - Firmware update or factor restore in progress
Blinking blue and white - Bluetooth pairing
Solid blue - Bluetooth paired
Solid green - Active call in progress
Solid red - Audio mute

Maintenance Instructions
1. Unplug all cables from the device.
2. Spray a medicinal isopropyl alcohol and water solution of 70:30 onto a clean, dry, microfiber cloth, making sure to not oversaturate the cloth.
3. Gently wipe the fabric and surrounding areas.
4. Let the fabric and surrounding areas air-dry completely before reconnecting any cables.

Troubleshooting
Search for product information and answers in the Product Documentation at <https://docs.poly.com>.
Find troubleshooting information in the Knowledge Base at <https://h30434.www3.hp.com/>.
Contact Technical Support at <https://www.hp.com/us-en/contact-hp/contact.html>.

Storage and Transportation
Should you need to store the product for a long period of time, you may switch off the mains power supply. Note: Removing power from the product makes it inaccessible remotely for software updates, diagnosis and management.

Period of storage: 7 years under appropriate storage conditions
Storage temperature: -40°C to 60°C
Storage humidity (non-condensing): 5% to 95%
Transportation temperature: -40°C to 70°C
Transportation humidity (non-condensing): 5% to 95%
Maximum altitude: 4876.8 m (16, 000 ft)

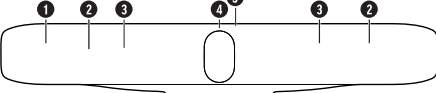
Safety and Regulatory
See the enclosed printed Safety Insert, and refer to the *Poly Studio X Family Safety and Regulatory Guide* on [hp.support.com/poly](https://support.hp.com/poly) for all regulatory and safety guidance prior to setup and configuration.

es SPANISH

- A** Ensure tab is securely centered in slot.
- B** Cable included

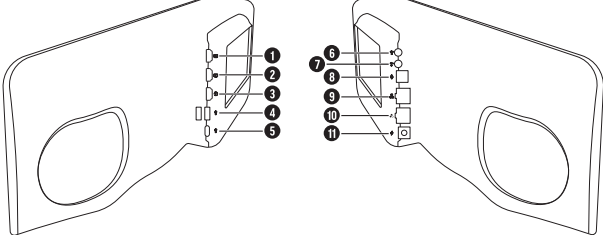
Power
Auto sensing power supply
37 VA @ 120 V @ 60 Hz
37 VA @ 230 V @ 50/60 Hz
65 BTU h
Input: 100-240VAC, 1.5A, 50/60Hz
Output: 12V DC, 5.0A
Power Supply Model: S065-1A120500B3

Poly Studio V72 Hardware



- 1 Screen
- 2 Microphone Array
- 3 Speakers
- 4 Dual cameras
- 5 LED indicators

Poly Studio V72 Ports



- 1 HDMI output for the secondary monitor
- 2 HDMI output for the primary monitor
- 3 HDMI input for sharing content (for example, from a laptop)
- 4 USB-A ports
- 5 USB-C port
- 6 3.5 mm audio line in
- 7 3.5 mm audio line out
- 8 Expansion microphone connection
- 9 LAN connection for the system
- 10 LLN port
- 11 Power cord port

Maintenance Instructions
1. Unplug all cables from the device.
2. Spray a medicinal isopropyl alcohol and water solution of 70:30 onto a clean, dry, microfiber cloth, making sure to not oversaturate the cloth.
3. Gently wipe the fabric and surrounding areas.
4. Let the fabric and surrounding areas air-dry completely before reconnecting any cables.

Troubleshooting
Search for product information and answers in the Product Documentation at <https://docs.poly.com>.
Find troubleshooting information in the Knowledge Base at <https://h30434.www3.hp.com/>.
Contact Technical Support at <https://www.hp.com/us-en/contact-hp/contact.html>.

Safety and Regulatory
See the enclosed printed Safety Insert, and refer to the *Poly Studio X Family Safety and Regulatory Guide* on [hp.support.com/poly](https://support.hp.com/poly) for all regulatory and safety guidance prior to setup and configuration.

id INDONESIAN

Informasi Registrasi di Kementerian Perdagangan: IMKG.205.01.2024
Importir: PT. Hewlett-Packard Indonesia
Alamat: Gedung Perkantoran Prudential Centre, Kota Kasablanka Lantai 9, JL. Casablanca Kav. 88 Menteng Dalam, Tebet. 12870 Jakarta Selatan, Indonesia

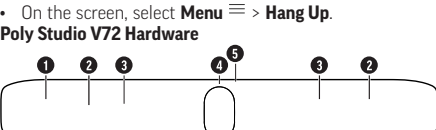
- A** Ensure tab is securely centered in slot.
- B** Cable included

Product Description and Specifications
Poly Studio V72 is an all-in-one video bar for large conference spaces.
Camera resolution: 2160p, 4K UHD (3840 x 2160)
Camera type: Dual-lens
Sensitivity (speaker): 83dB (mid speakers); 89 dB (tweeter speakers)
Speaker type: Two-way stereo speakers
Video frame rate: 5 - 30fps
Operating temperature: 32 to 104 °F
Minimum dimensions: 33.1 x 5.3 x 4.6 in
Diagonal field of view (dFoV): 140° (wide); 78° (narrow)
Horizontal field of view (hFoV): 120° (wide); 70° (narrow)
Microphone pickup range (imperial): Up to 25 ft

Power
Auto sensing power supply
37 VA @ 120 V @ 60 Hz
37 VA @ 230 V @ 50/60 Hz
65 BTU h
Input: 100-240VAC, 1.5A, 50/60Hz
Output: 12V DC, 5.0A
Power Supply Model: S065-1A120500B3

Instructions for Use
Place a Call
You can place an audio or video call to a contact.
1. Go to **Place a Call**.
2. On the **Dialpad** screen, move the slider to **Audio** or **Video**.
3. Enter a number on the dialpad or select **Keyboard** to enter characters.
4. Select **Call**.

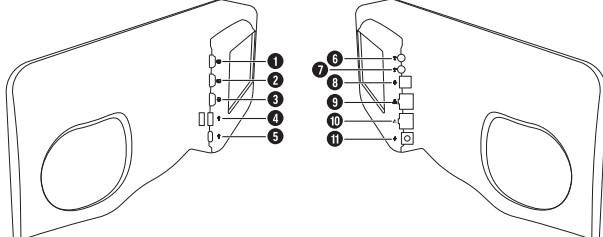
End a Call
When your call is complete, hang up the call. If you have content such as blackboards, whiteboards, or snapshots, the system asks if you want to keep them.
In a call, do one of the following:
• On your remote control, press **Hang Up**.
• On the screen, select **Menu** > **Hang Up**.



- 1 Screen

- 2 Microphone Array
- 3 Speakers
- 4 Dual cameras
- 5 LED indicators

Poly Studio V72 Ports



- 1 HDMI output for the secondary monitor
- 2 HDMI output for the primary monitor
- 3 HDMI input for sharing content (for example, from a laptop)
- 4 USB-A ports
- 5 USB-C port
- 6 3.5 mm audio line in
- 7 3.5 mm audio line out
- 8 Expansion microphone connection
- 9 LAN connection for the system
- 10 LLN port
- 11 Power cord port

LED Status Indicators
Solid white - Powered on and ready; out of a call and idle; attached to a system in a call, but the camera and microphone are idle
Pulsing white - Boot initialization in progress
Pulsing amber - Firmware update in progress
Alternating blue and white - Bluetooth in discovery mode
Solid blue - Bluetooth paired
Solid green - Microphone in use during a call; camera is active
Green blinking twice - Muted video
Solid dim green - Speaker is outside the range of Acoustic Fence with Beam Shaping
Solid red - Muted microphone
Red blinking three times - Muted audio but speaking voice detected

Maintenance Instructions
1. Unplug all cables from the device.
2. Spray a medicinal isopropyl alcohol and water solution of 70:30 onto a clean, dry, microfiber cloth, making sure to not oversaturate the cloth.
3. Gently wipe the fabric and surrounding areas.
4. Let the fabric and surrounding areas air-dry completely before reconnecting any cables.

Troubleshooting
Search for product information and answers in the Product Documentation at <https://docs.poly.com>.
Find troubleshooting information in the Knowledge Base at <https://h30434.www3.hp.com/>.
Contact Technical Support at <https://www.hp.com/us-en/contact-hp/contact.html>.

Safety and Regulatory
See the enclosed printed Safety Insert, and refer to the *Poly Studio X Family Safety and Regulatory Guide* on [hp.support.com/poly](https://support.hp.com/poly) for all regulatory and safety guidance prior to setup and configuration.

ko KOREAN

- A** Ensure tab is securely centered in slot.
- B** Cable included

Product Description and Specifications
Poly Studio V72 is an all-in-one video bar for large conference spaces.
Camera resolution: 2160p, 4K UHD (3840 x 2160)
Camera type: Dual-lens
Sensitivity (speaker): 83dB (mid speakers); 89 dB (tweeter speakers)
Speaker type: Two-way stereo speakers
Video frame rate: 5 - 30fps
Operating temperature: 32 to 104 °F
Minimum dimensions: 33.1 x 5.3 x 4.6 in
Diagonal field of view (dFoV): 140° (wide); 78° (narrow)
Horizontal field of view (hFoV): 120° (wide); 70° (narrow)
Microphone pickup range (imperial): Up to 25 ft

kr KAZAKH

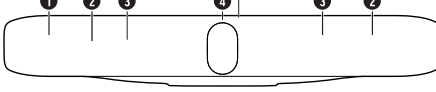
ERC

- A** Ensure tab is securely centered in slot.
- B** Cable included

Product Description and Specifications
Poly Studio V72 is an all-in-one video bar for large conference spaces.
Camera resolution: 2160p, 4K UHD (3840 x 2160)
Camera type: Dual-lens
Sensitivity (speaker): 83dB (mid speakers); 89 dB (tweeter speakers)
Speaker type: Two-way stereo speakers
Video frame rate: 5 - 30fps
Operating temperature: 32 to 104 °F
Minimum dimensions: 33.1 x 5.3 x 4.6 in
Diagonal field of view (dFoV): 140° (wide); 78° (narrow)
Horizontal field of view (hFoV): 120° (wide); 70° (narrow)
Microphone pickup range (imperial): Up to 25 ft

Power
Auto sensing power supply
37 VA @ 120 V @ 60 Hz
37 VA @ 230 V @ 50/60 Hz
65 BTU h
Input: 100-240VAC, 1.5A, 50/60Hz
Output: 12V DC, 5.0A
Power Supply Model: S065-1A120500B3

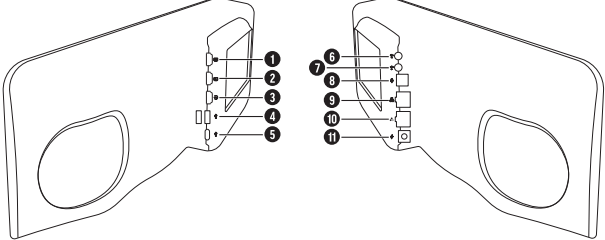
Poly Studio V72 Hardware



- 1 Screen
- 2 Microphone Array

- Speakers
- Dual cameras
- LED indicators

Poly Studio V72 Ports



- HDMI output for the secondary monitor
- HDMI output for the primary monitor
- HDMI input for sharing content (for example, from a laptop)
- USB-A ports
- USB-C port
- 3.5 mm audio line in
- 3.5 mm audio line out
- Expansion microphone connection
- LAN connection for the system
- LLN port
- Power cord port

LED Status Indicators

Solid white - Device is idle and standing by
Pulsing white - Boot initiation in progress
Pulsing amber - Firmware update or factor restore in progress
Blinking blue and white - Bluetooth pairing
Solid blue - Bluetooth paired
Solid green - Active call in progress
Solid red - Audio mute

Maintenance Instructions

- Unplug all cables from the device.
- Spray a medicinal isopropyl alcohol and water solution of 70:30 onto a clean, dry, microfiber cloth, making sure to not oversaturate the cloth.
- Gently wipe the fabric and surrounding areas.
- Let the fabric and surrounding areas air-dry completely before reconnecting any cables.

Troubleshooting

Search for product information and answers in the Product Documentation at https://docs.poly.com.
Find troubleshooting information in the Knowledge Base at https://h30434.www3.hp.com/.
Contact Technical Support at https://www.hp.com/us-en/contact-hp/contact.html.

Storage and Transportation

Should you need to store the product for a long period of time, you may switch off the mains power supply. Note: Removing power from the product makes it inaccessible remotely for software updates, diagnosis and management.

Period of storage: 7 years under appropriate storage conditions
Storage temperature: -40°C to 60°C
Storage humidity (non-condensing): 5% to 95%
Transportation temperature: -40°C to 70°C
Transportation humidity (non-condensing): 5% to 95%
Maximum altitude: 4876.8 m (16, 000 ft)

Manufacturing

Find the date of manufacture on the outer packaging of the product in the following format: YYYYMM.

Safety and Regulatory

See the enclosed printed Safety Insert, and refer to the *Poly Studio X Family Safety and Regulatory Guide* on hp.support.com/poly for all regulatory and safety guidance prior to setup and configuration.

Local Representative

HP Global Trading B.V., Kazakhstan Branch, Republic of Kazakhstan, 050040, Almaty, Bostandykskiy District, Al Farabi Avenue 777

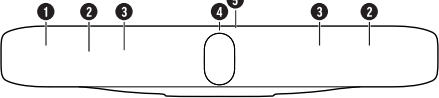
pt PORTUGUESE

- Ensure tab is securely centered in slot.
- Cable included

Power

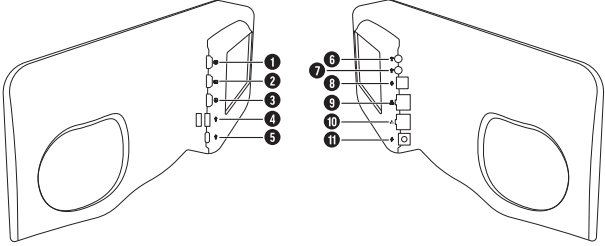
Auto sensing power supply
37 VA @ 120 V @ 60 Hz
37 VA @ 230 V @ 50/60 Hz
65 BTU h
Input: 100-240VAC, 1.5A, 50/60Hz
Output: 12V DC, 5.0A
Power Supply Model: S065-1A120500B3

Poly Studio V72 Hardware



- Screen
- Microphone Array
- Speakers
- Dual cameras
- LED indicators

Poly Studio V72 Ports



- HDMI output for the secondary monitor
- HDMI output for the primary monitor
- HDMI input for sharing content (for example, from a laptop)
- USB-A ports
- USB-C port
- 3.5 mm audio line in
- 3.5 mm audio line out
- Expansion microphone connection
- LAN connection for the system
- LLN port
- Power cord port

Maintenance Instructions

- Unplug all cables from the device.
- Spray a medicinal isopropyl alcohol and water solution of 70:30 onto a clean, dry, microfiber cloth, making sure to not oversaturate the cloth.
- Gently wipe the fabric and surrounding areas.
- Let the fabric and surrounding areas air-dry completely before reconnecting any cables.

Troubleshooting

Search for product information and answers in the Product Documentation at https://docs.poly.com.
Find troubleshooting information in the Knowledge Base at https://h30434.www3.hp.com/.
Contact Technical Support at https://www.hp.com/us-en/contact-hp/contact.html.

Safety and Regulatory

See the enclosed printed Safety Insert, and refer to the *Poly Studio X Family Safety and Regulatory Guide* on hp.support.com/poly for all regulatory and safety guidance prior to setup and configuration.

Este equipamento não tem direito à proteção contra interferência prejudicial e não pode causar interferência em sistemas devidamente autorizados. Para maiores informações consulte o site da ANATEL - www.anatel.gov.br.

ru RUSSIAN

ERC

- Ensure tab is securely centered in slot.
- Cable included

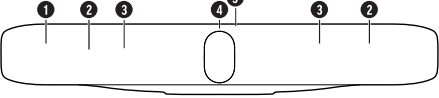
Product Description and Specifications

Poly Studio V72 is an all-in-one video bar for large conference spaces.
Camera resolution: 2160p, 4K UHD (3840 x 2160)
Camera type: Dual-lens
Sensitivity (speaker): 83dB (mid speakers); 89 dB (tweeter speakers)
Speaker type: Two-way stereo speakers
Video frame rate: 5 - 30fps
Operating temperature: 32 to 104 °F
Minimum dimensions: 331 x 5.3 x 4.6 in
Diagonal field of view (dFoV): 140° (wide); 78° (narrow)
Horizontal field of view (hFoV): 120° (wide); 70° (narrow)
Microphone pickup range (Imperial): Up to 25 ft

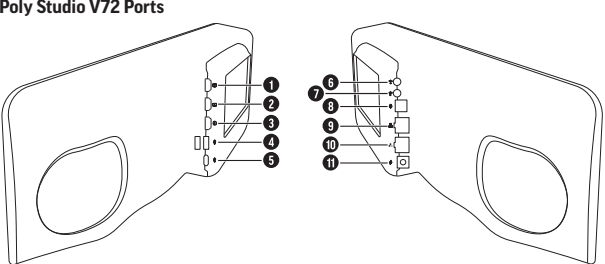
Power

Auto sensing power supply
37 VA @ 120 V @ 60 Hz
37 VA @ 230 V @ 50/60 Hz
65 BTU h
Input: 100-240VAC, 1.5A, 50/60Hz
Output: 12V DC, 5.0A
Power Supply Model: S065-1A120500B3

Poly Studio V72 Hardware



- Screen
- Microphone Array
- Speakers
- Dual cameras
- LED indicators



- HDMI output for the secondary monitor
- HDMI output for the primary monitor
- HDMI input for sharing content (for example, from a laptop)
- USB-A ports
- USB-C port
- 3.5 mm audio line in
- 3.5 mm audio line out
- Expansion microphone connection
- LAN connection for the system
- LLN port
- Power cord port

LED Status Indicators

Solid white - Device is idle and standing by
Pulsing white - Boot initiation in progress
Pulsing amber - Firmware update or factor restore in progress
Blinking blue and white - Bluetooth pairing
Solid blue - Bluetooth paired
Solid green - Active call in progress
Solid red - Audio mute

Maintenance Instructions

- Unplug all cables from the device.
- Spray a medicinal isopropyl alcohol and water solution of 70:30 onto a clean, dry, microfiber cloth, making sure to not oversaturate the cloth.
- Gently wipe the fabric and surrounding areas.
- Let the fabric and surrounding areas air-dry completely before reconnecting any cables.

Troubleshooting

Search for product information and answers in the Product Documentation at https://docs.poly.com.
Find troubleshooting information in the Knowledge Base at https://h30434.www3.hp.com/.
Contact Technical Support at https://www.hp.com/us-en/contact-hp/contact.html.

Storage and Transportation

Should you need to store the product for a long period of time, you may switch off the mains power supply. Note: Removing power from the product makes it inaccessible remotely for software updates, diagnosis and management.

Period of storage: 7 years under appropriate storage conditions
Storage temperature: -40°C to 60°C
Storage humidity (non-condensing): 5% to 95%
Transportation temperature: -40°C to 70°C
Transportation humidity (non-condensing): 5% to 95%
Maximum altitude: 4876.8 m (16, 000 ft)

Manufacturing

Find the date of manufacture on the outer packaging of the product in the following format: YYYYMM.

Safety and Regulatory

See the enclosed printed Safety Insert, and refer to the *Poly Studio X Family Safety and Regulatory Guide* on hp.support.com/poly for all regulatory and safety guidance prior to setup and configuration.

sr SERBIA
<ul style="list-style-type: none">Ensure tab is securely centered in slot. Cable included

Product Description and Specifications

Poly Studio V72 is an all-in-one video bar for large conference spaces.
Camera resolution: 2160p, 4K UHD (3840 x 2160)
Camera type: Dual-lens
Sensitivity (speaker): 83dB (mid speakers); 89 dB (tweeter speakers)
Speaker type: Two-way stereo speakers
Video frame rate: 5 - 30fps
Operating temperature: 32 to 104 °F
Minimum dimensions: 331 x 5.3 x 4.6 in
Diagonal field of view (dFoV): 140° (wide); 78° (narrow)
Horizontal field of view (hFoV): 120° (wide); 70° (narrow)
Microphone pickup range (Imperial): Up to 25 ft


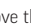
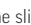

Power

Auto sensing power supply
37 VA @ 120 V @ 60 Hz
37 VA @ 230 V @ 50/60 Hz
65 BTU h
Input: 100-240VAC, 1.5A, 50/60Hz
Output: 12V DC, 5.0A
Power Supply Model: S065-1A120500B3

Instructions for Use

Place a Call

You can place an audio or video call to a contact.

- Go to **Place a Call**.
- On the **Dialpad**  screen, move the slider to **Audio**  or **Video** .
- Enter a number on the dialpad or select **Keyboard**  to enter characters.
- Select **Call**.

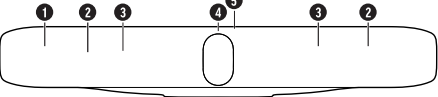
End a Call

When your call is complete, hang up the call. If you have content such as blackboards, whiteboards, or snapshots, the system asks if you want to keep them.

In a call, do one of the following:

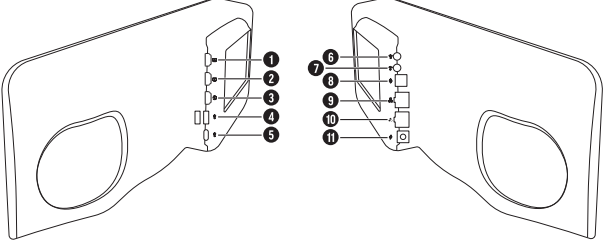
- On your remote control, press **Hang Up** .
- On the screen, select **Menu**  > **Hang Up**.

Poly Studio V72 Hardware



- Screen
- Microphone Array
- Speakers
- Dual cameras
- LED indicators

Poly Studio V72 Ports



- HDMI output for the secondary monitor
- HDMI output for the primary monitor
- HDMI input for sharing content (for example, from a laptop)
- USB-A ports
- USB-C port
- 3.5 mm audio line in
- 3.5 mm audio line out
- Expansion microphone connection
- LAN connection for the system
- LLN port
- Power cord port

LED Status Indicators

Solid white - Device is idle and standing by
Pulsing white - Boot initiation in progress
Pulsing amber - Firmware update or factor restore in progress
Blinking blue and white - Bluetooth pairing
Solid blue - Bluetooth paired
Solid green - Active call in progress
Solid red - Audio mute

Maintenance Instructions

- Unplug all cables from the device.
- Spray a medicinal isopropyl alcohol and water solution of 70:30 onto a clean, dry, microfiber cloth, making sure to not oversaturate the cloth.
- Gently wipe the fabric and surrounding areas.
- Let the fabric and surrounding areas air-dry completely before reconnecting any cables.

Troubleshooting

Search for product information and answers in the Product Documentation at https://docs.poly.com.
Find troubleshooting information in the Knowledge Base at https://h30434.www3.hp.com/.
Contact Technical Support at https://www.hp.com/us-en/contact-hp/contact.html.

Storage and Transportation

Should you need to store the product for a long period of time, you may switch off the mains power supply. Note: Removing power from the product makes it inaccessible remotely for software updates, diagnosis and management.

Period of storage: 7 years under appropriate storage conditions
Storage temperature: -40°C to 60°C
Storage humidity (non-condensing): 5% to 95%
Transportation temperature: -40°C to 70°C
Transportation humidity (non-condensing): 5% to 95%
Maximum altitude: 4876.8 m (16, 000 ft)

Safety and Regulatory

See the enclosed printed Safety Insert, and refer to the *Poly Studio X Family Safety and Regulatory Guide* on hp.support.com/poly for all regulatory and safety guidance prior to setup and configuration.

tr TURKISH

- Ensure tab is securely centered in slot.
- Cable included

Product Description and Specifications

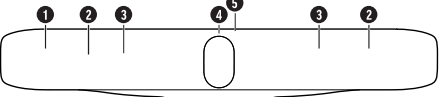
Poly Studio V72 is an all-in-one video bar for large conference spaces.
Camera resolution: 2160p, 4K UHD (3840 x 2160)
Camera type: Dual-lens
Sensitivity (speaker): 83dB (mid speakers); 89 dB (tweeter speakers)
Speaker type: Two-way stereo speakers
Video frame rate: 5 - 30fps
Operating temperature: 32 to 104 °F

Minimum dimensions: 331 x 5.3 x 4.6 in
Diagonal field of view (dFoV): 140° (wide); 78° (narrow)
Horizontal field of view (hFoV): 120° (wide); 70° (narrow)
Microphone pickup range (Imperial): Up to 25 ft

Power

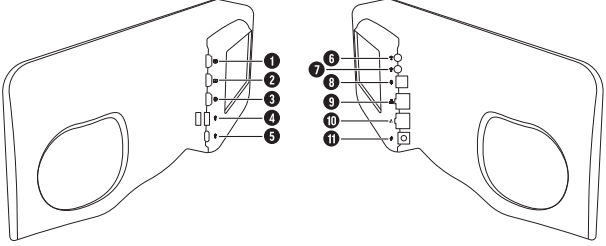
Auto sensing power supply
37 VA @ 120 V @ 60 Hz
37 VA @ 230 V @ 50/60 Hz
65 BTU h
Input: 100-240VAC, 1.5A, 50/60Hz
Output: 12V DC, 5.0A
Power Supply Model: S065-1A120500B3

Poly Studio V72 Hardware



- Screen
- Microphone Array
- Speakers
- Dual cameras
- LED indicators

Poly Studio V72 Ports



- HDMI output for the secondary monitor
- HDMI output for the primary monitor
- HDMI input for sharing content (for example, from a laptop)
- USB-A ports
- USB-C port
- 3.5 mm audio line in
- 3.5 mm audio line out
- Expansion microphone connection
- LAN connection for the system
- LLN port
- Power cord port

LED Status Indicators

Solid white - Device is idle and standing by
Pulsing white - Boot initiation in progress
Pulsing amber - Firmware update or factor restore in progress
Blinking blue and white - Bluetooth pairing
Solid blue - Bluetooth paired
Solid green - Active call in progress
Solid red - Audio mute

Maintenance Instructions

- Unplug all cables from the device.
- Spray a medicinal isopropyl alcohol and water solution of 70:30 onto a clean, dry, microfiber cloth, making sure to not oversaturate the cloth.
- Gently wipe the fabric and surrounding areas.
- Let the fabric and surrounding areas air-dry completely before reconnecting any cables.

Troubleshooting

Search for product information and answers in the Product Documentation at https://docs.poly.com.
Find troubleshooting information in the Knowledge Base at https://h30434.www3.hp.com/.
Contact Technical Support at https://www.hp.com/us-en/contact-hp/contact.html.

Storage and Transportation

Should you need to store the product for a long period of time, you may switch off the mains power supply. Note: Removing power from the product makes it inaccessible remotely for software updates, diagnosis and management.

Period of storage: 7 years under appropriate storage conditions
Storage temperature: -40°C to 60°C
Storage humidity (non-condensing): 5% to 95%
Transportation temperature: -40°C to 70°C
Transportation humidity (non-condensing): 5% to 95%
Maximum altitude: 4876.8 m (16, 000 ft)

Manufacturing

Find the date of manufacture on the outer packaging of the product in the following format: YYYYMM.

Safety and Regulatory

See the enclosed printed Safety Insert, and refer to the *Poly Studio X Family Safety and Regulatory Guide* on hp.support.com/poly for all regulatory and safety guidance prior to setup and configuration.

ua UKRAINIAN

- Ensure tab is securely centered in slot.
- Cable included

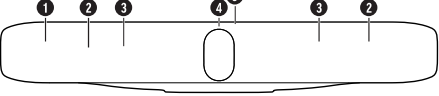
Product Description and Specifications

Poly Studio V72 is an all-in-one video bar for large conference spaces.
Camera resolution: 2160p, 4K UHD (3840 x 2160)
Camera type: Dual-lens
Sensitivity (speaker): 83dB (mid speakers); 89 dB (tweeter speakers)
Speaker type: Two-way stereo speakers
Video frame rate: 5 - 30fps
Operating temperature: 32 to 104 °F
Minimum dimensions: 331 x 5.3 x 4.6 in
Diagonal field of view (dFoV): 140° (wide); 78° (narrow)
Horizontal field of view (hFoV): 120° (wide); 70° (narrow)
Microphone pickup range (Imperial): Up to 25 ft

Power

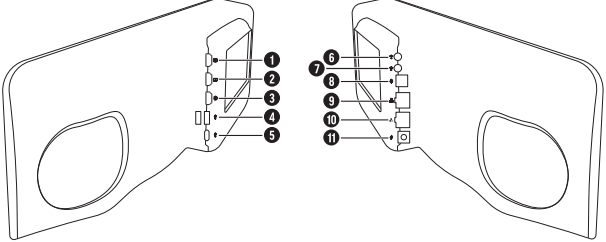
Auto sensing power supply
37 VA @ 120 V @ 60 Hz
37 VA @ 230 V @ 50/60 Hz
65 BTU h
Input: 100-240VAC, 1.5A, 50/60Hz
Output: 12V DC, 5.0A
Power Supply Model: S065-1A120500B3

Poly Studio V72 Hardware



- Screen
- Microphone Array
- Speakers
- Dual cameras
- LED indicators

Poly Studio V72 Ports



- HDMI output for the secondary monitor
- HDMI output for the primary monitor
- HDMI input for sharing content (for example, from a laptop)
- USB-A ports
- USB-C port
- 3.5 mm audio line in
- 3.5 mm audio line out
- Expansion microphone connection
- LAN connection for the system
- LLN port
- Power cord port

LED Status Indicators

Solid white - Device is idle and standing by
Pulsing white - Boot initiation in progress
Pulsing amber - Firmware update or factor restore in progress
Blinking blue and white - Bluetooth pairing
Solid blue - Bluetooth paired
Solid green - Active call in progress
Solid red - Audio mute

Maintenance Instructions

- Unplug all cables from the device.
- Spray a medicinal isopropyl alcohol and water solution of 70:30 onto a clean, dry, microfiber cloth, making sure to not oversaturate the cloth.
- Gently wipe the fabric and surrounding areas.
- Let the fabric and surrounding areas air-dry completely before reconnecting any cables.

Troubleshooting

Search for product information and answers in the Product Documentation at https://docs.poly.com.
Find troubleshooting information in the Knowledge Base at https://h30434.www3.hp.com/.
Contact Technical Support at https://www.hp.com/us-en/contact-hp/contact.html.

Storage and Transportation

Should you need to store the product for a long period of time, you may switch off the mains power supply. Note: Removing power from the product makes it inaccessible remotely for software updates, diagnosis and management.

Period of storage: 7 years under appropriate storage conditions
Storage temperature: -40°C to 60°C
Storage humidity (non-condensing): 5% to 95%
Transportation temperature: -40°C to 70°C
Transportation humidity (non-condensing): 5% to 95%
Maximum altitude: 4876.8 m (16, 000 ft)

Safety and Regulatory

See the enclosed printed Safety Insert, and refer to the *Poly Studio X Family Safety and Regulatory Guide* on hp.support.com/poly for all regulatory and safety guidance prior to setup and configuration.