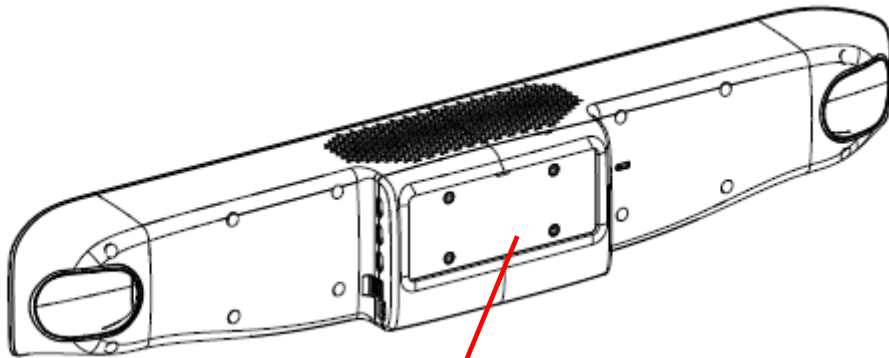


Poly

P026

FCC ID : M72-P026

IC : 1849C- P026



Model : P026      Studio X70      Video Conference Equipment

This device complies with part 15 of the FCC Rules. Operation is subject to the following two conditions: (1) this device may not cause harmful interference, and (2) this device must accept any interference received, including interference that may cause undesired operation.



CE    UKCA    VCCI  
FCC ID: M72-P026  
IC: 1849C-P026  
CAN ICES-3 (A)/NMB-3(A)  
R-NZ

020-210143  
電波法により5GHz帯は屋内使用に限ります。

Complies with  
IMDA Standards  
DA101619



P/N \*2201-87075-001\*



S/N 8221125D6000FL

生产日期      MAC: 0E0085D6000  
製造年, 週      DATE OF MFR: 20210315

Manufacturer : Polycom, Inc.      2668-08416-393 REV A  
Made in Thailand  
EU Contact: Plantronics BV, Scorpius 171, 2132 LR Hoofddorp, Netherlands  
Plantronics Ltd, 4 Foundation Park, Roxborough Way, Maidenhead, SL6 3UD, UK

