



Polycom, Inc.
6001 America Center Drive
San Jose, CA 95002

TEL 408-586-6000

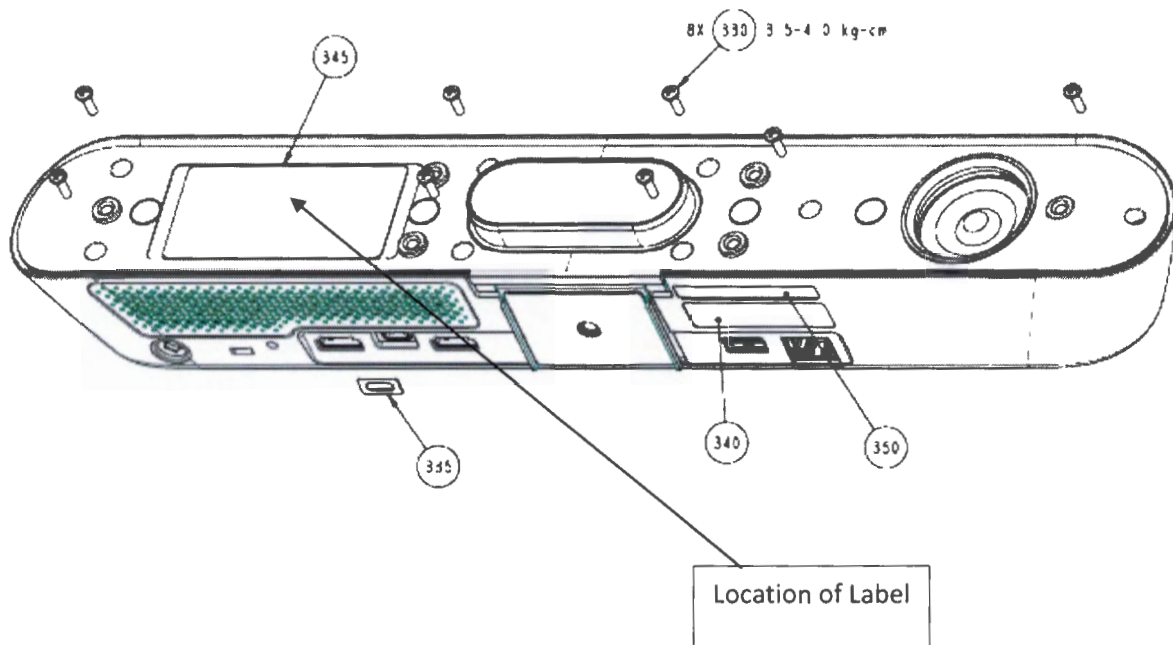
www.poly.com

Date: 2019-11-28

FCC ID: M72-P018

Label Placement

Polycom Inc hereby declares that the product label on FCC ID: M72-P018 will be affixed as below and be permanent, readily visible and not removable.



Sincerely yours,

Name: Yuk Wan

Title: Director of Corporate Compliance

Tel: +44 1753 723 174

E-mail: yuk.wan@poly.com