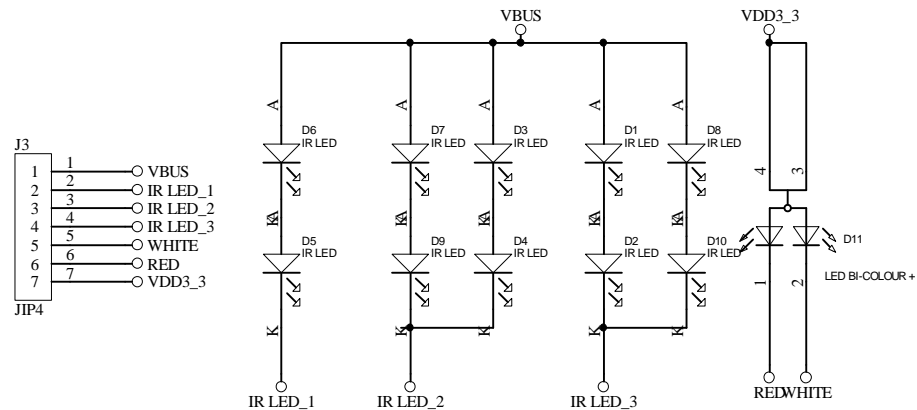


Revision Record			
LTR	ECO No.:	Approved	Date:



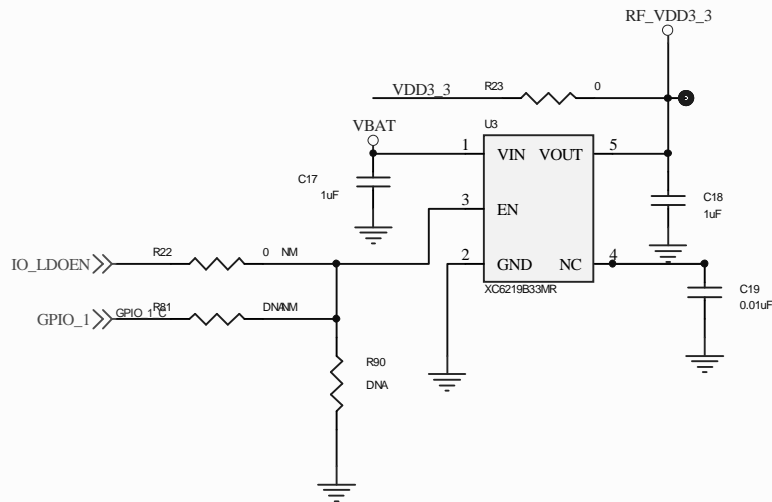
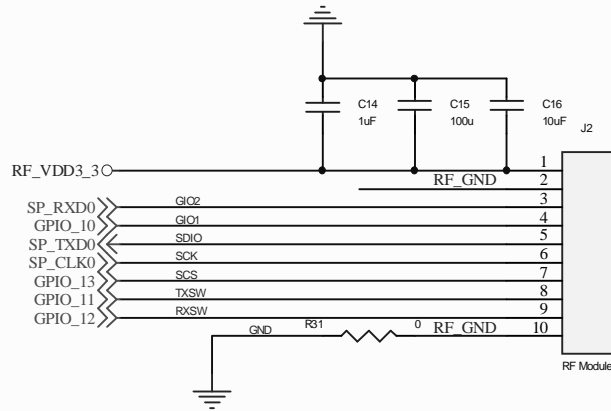
Model:	2797_2G sensor_OV7670FSL_1 DocName	Document No.:	*
SCH File Name:	Video C7280 child LED 1-02.SchDoc	Drawn by:	繇護地 Date: 15 Nov 2006
PCB File Name:	PCBName1	CHK By: *	Date: 15 Nov 2006
	PCBName2	APPR By: *	Date: 15 Nov 2006
	PCBName3	Sheet 1 of 1	Rev: 1.0



Honor Tone Ltd



Revision Record			
LTR	ECO No.:	Approved	Date:



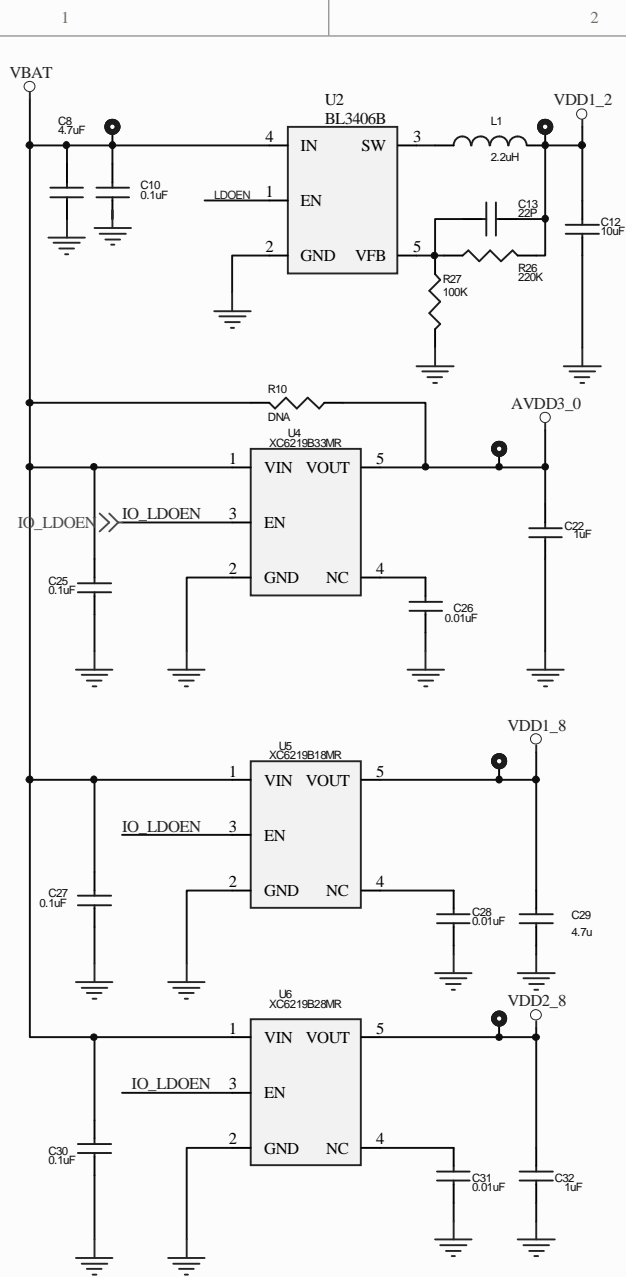
Model:	*	Document No.:	*
	DocName		
SCH File Name:	PAGE03_RF.SchDoc	Drawn by:	*
		Date:	*
PCB File Name:	PCBName1	CHK By:	*
	PCBName2	Date:	*
	PCBName3	APPR By:	*
		Date:	*
		Sheet * of *	Rev: *



Honor Tone Ltd

\\172.31.2.88\elect\FYZhang\Video monitor\C7280 PCB and SCH\EP3\Rev02 child main\PAGE03\_RF.SchDoc

ModifiedDate: 2011-5-16



Revision Record			
LTR	ECO No.:	Approved	Date:

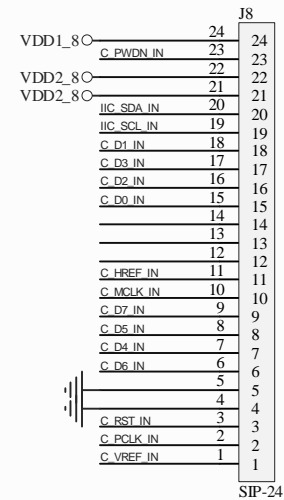
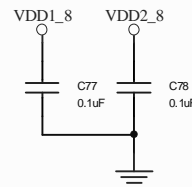
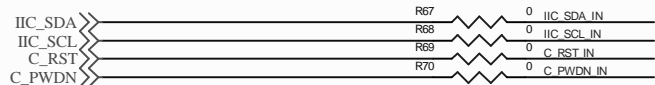
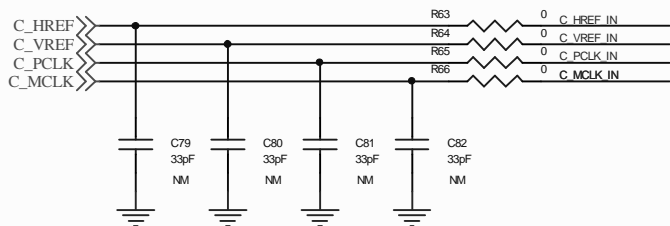
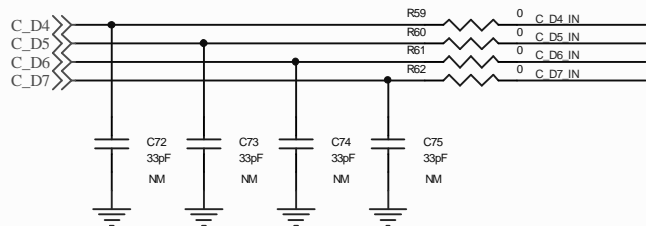
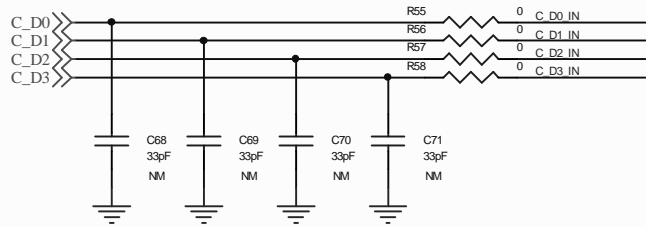
System Power Supply



Honor Tone Ltd

Model:	* DocName	Document No.:	*
SCH File Name:	PAGE05_Power.SchDoc	Drawn by:	* Date: *
PCB File Name:	PCBName1	CHK By:	* Date: *
	PCBName2	APPR By:	* Date: *
	PCBName3	Sheet * of *	Rev: *
\\172.31.2.88\elect\FYZhang\Video monitor\C7280 PCB and SCH\EP3\Rev02 child main\PAGE05_Power.SchDoc			
ModifiedDate: 2011-5-3			

Revision Record			
LTR	ECO No.:	Approved	Date:



Model:	*	DocName	Document No.:	*	
SCH File Name:	PAGE06_Sensor.SchDoc	Drawn by:	*	Date:	*
PCB File Name:	PCBName1	CHK By:	*	Date:	*
	PCBName2	APPR By:	*	Date:	*
	PCBName3	Sheet	* of *	Rev:	*

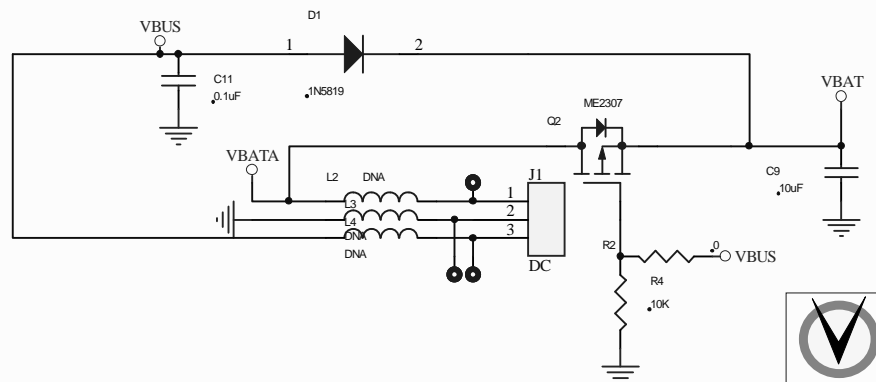
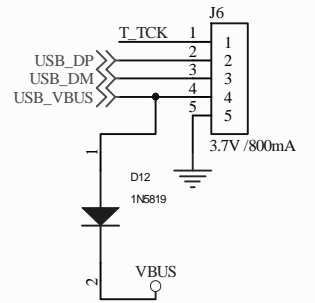
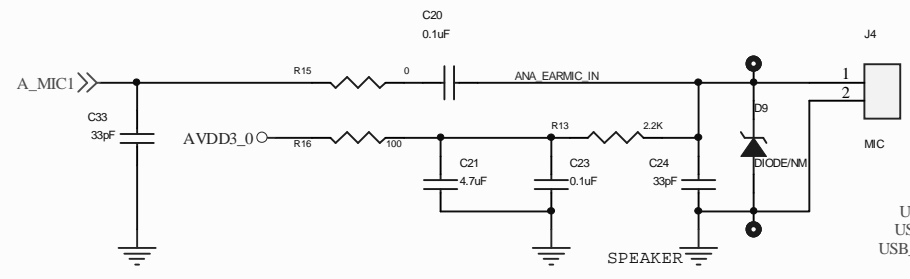
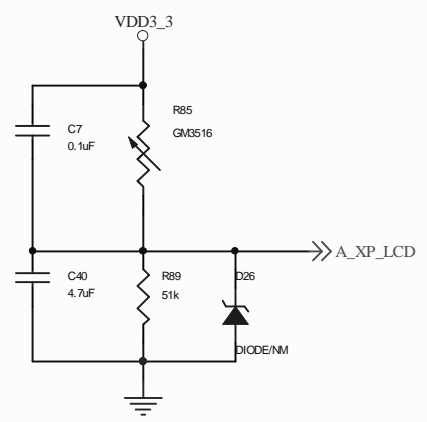
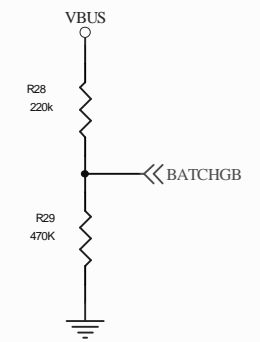
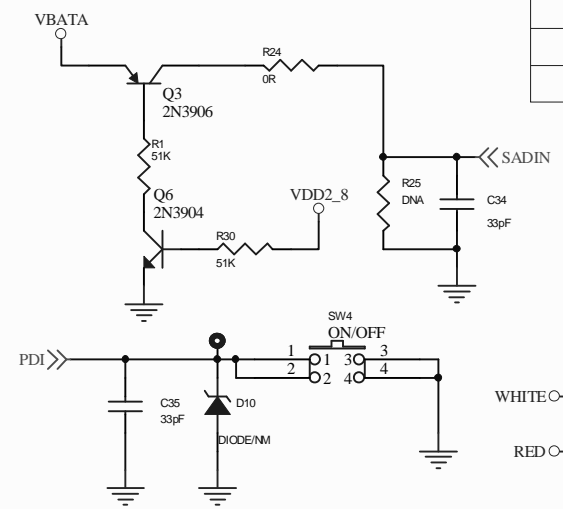
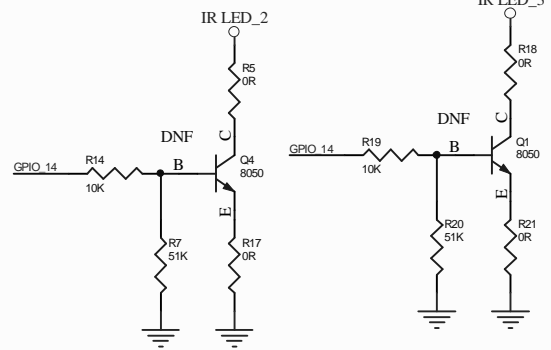
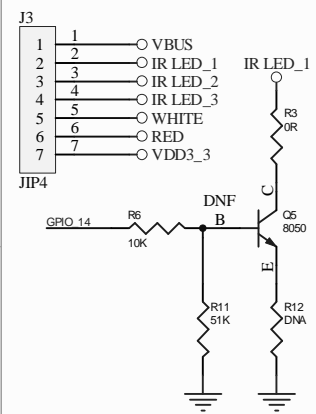


Honor Tone Ltd

\\172.31.2.88\elect\FYZhang\Video monitor\C7280 PCB and SCH\EP3\Rev02 child main\PAGE06\_Sensor.SchDoc

ModifiedDate: 2011-5-16

Revision Record			
LTR	ECO No.:	Approved	Date:



Model:	* DocName	Document No.:	*
SCH File Name:	Power and key.SchDoc	Drawn by:	*
PCB File Name:	PCBName1	CHK By:	*
	PCBName2	APPR By:	*
	PCBName3	Sheet * of *	Rev: *
\\172.31.2.88\elect\FYZhang\Video monitor\C7280 PCB and SCH\EP3\Rev02 child main\Power and key.SchDoc			
ModifiedDate: 2011-5-16			