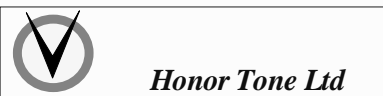
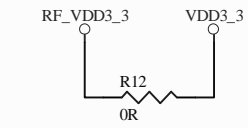
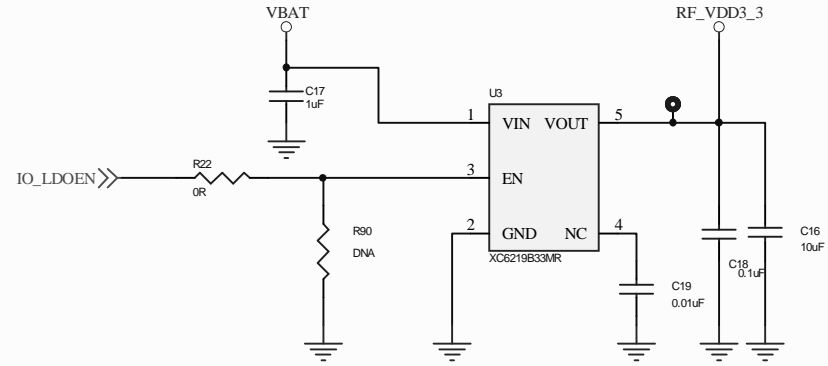


System Power Supply

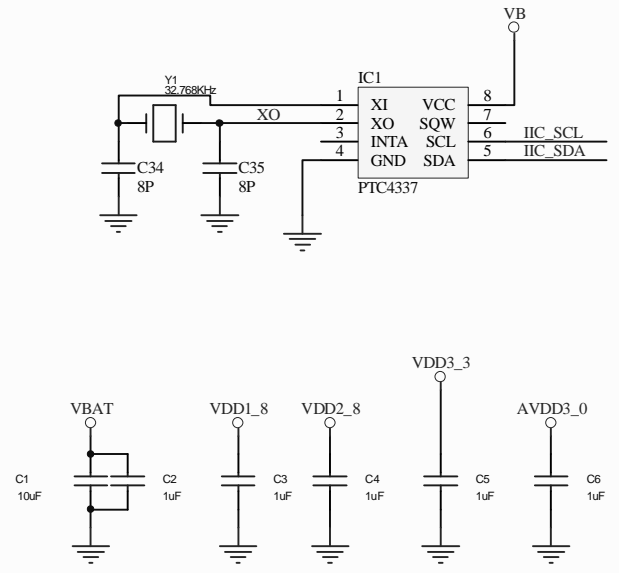
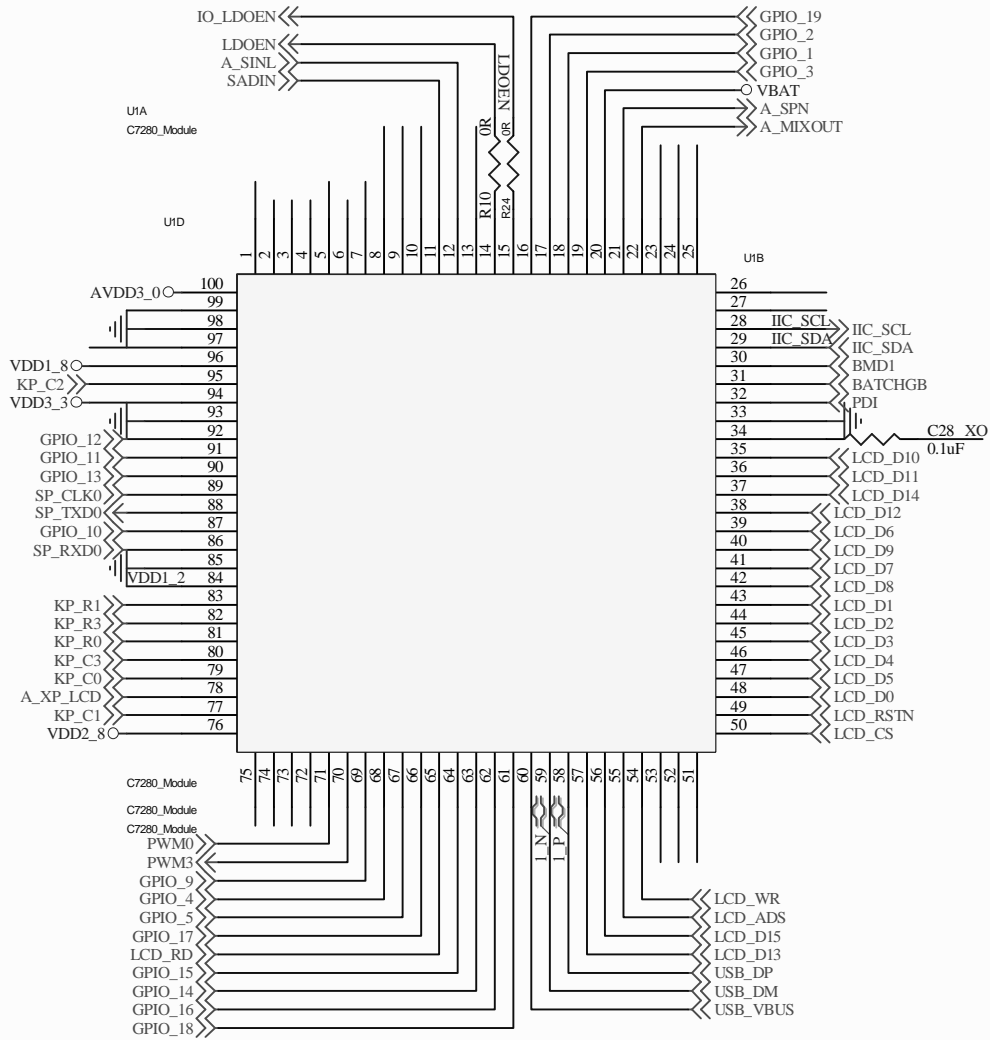
Revision Record			
LTR	ECO No.:	Approved	Date:



Honor Tone Ltd

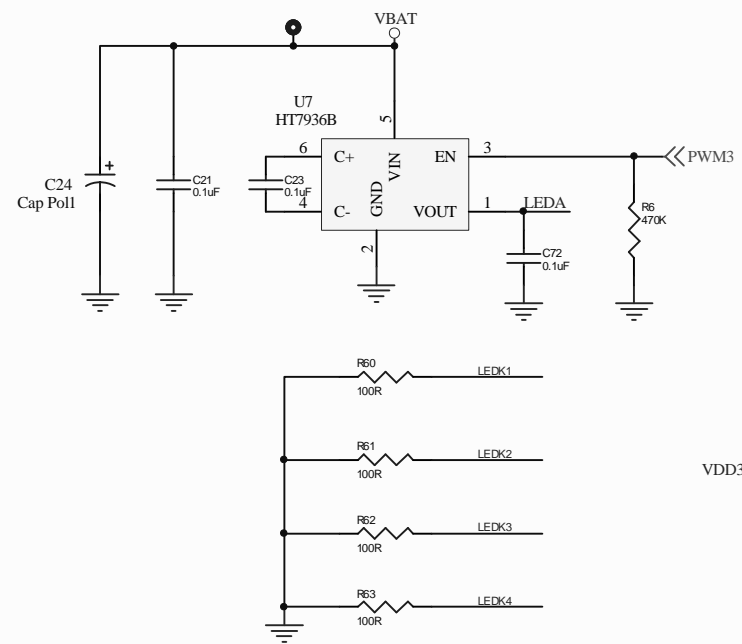
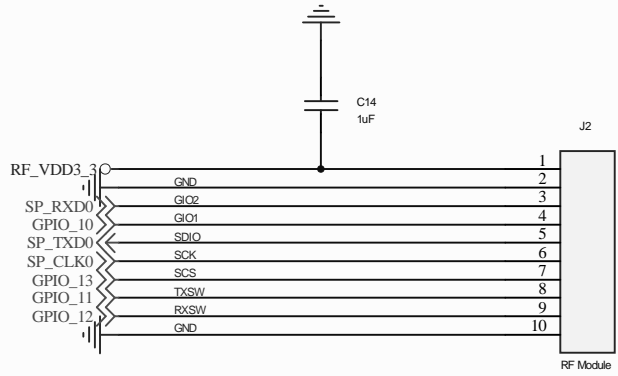
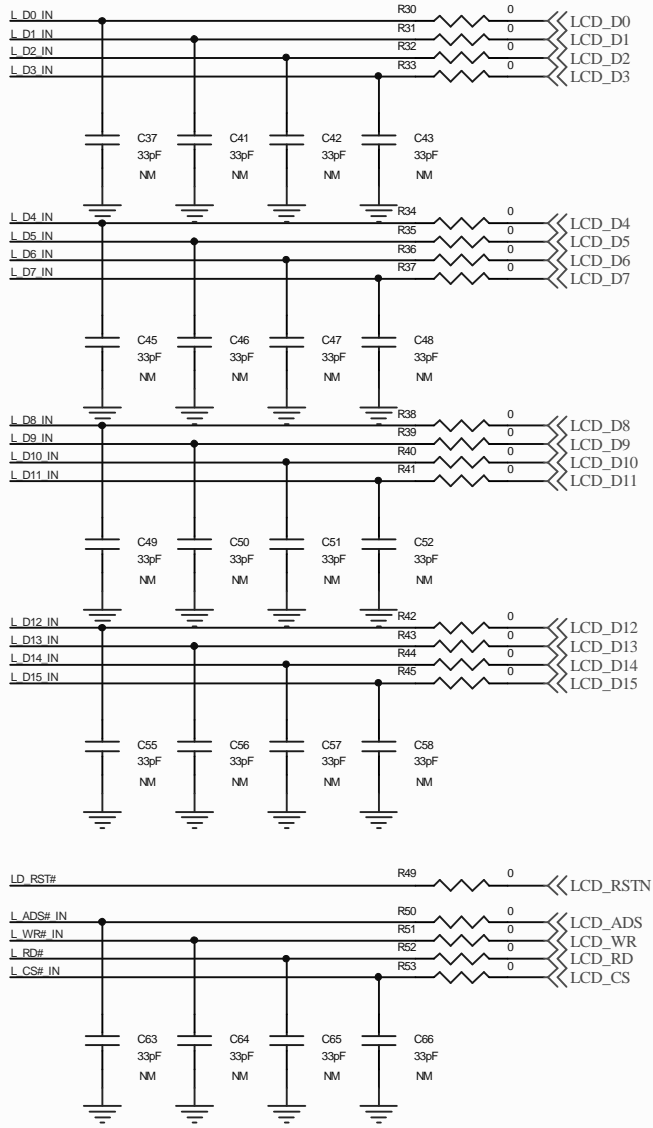
Model:	*	DocName	Document No.:	*
SCH File Name:	Power LDO.SchDoc	Drawn by:	*	Date:
PCB File Name:	PCBName1	CHK By:	*	Date:
	PCBName2	APPR By:	*	Date:
	PCBName3	Sheet	* of *	Rev:
C:\Documents and Settings\1\桌面\Video FCC SCH and PCB\Parent unit\REV02\Power LDO.SchDoc				ModifiedDate: 2011-4-29

Revision Record			
LTR	ECO No.:	Approved	Date:

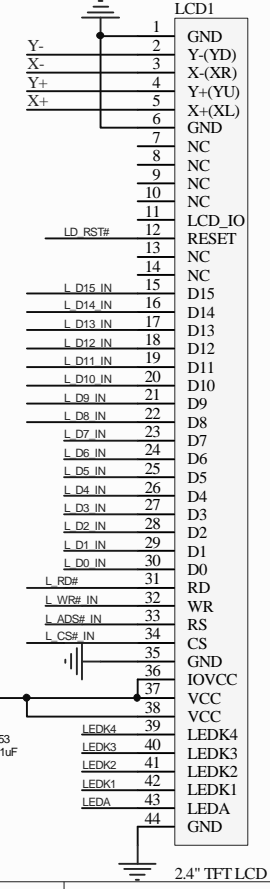


Model:	* DocName	Document No.:	*
SCH File Name:	C7280_Module.SchDoc	Drawn by:	*
PCB File Name:	PCBName1	CHK By:	*
	PCBName2	APPR By:	*
	PCBName3	Sheet * of *	Rev: *

C:\Documents and Settings\1\桌面\Video FCC SCH and PCB\Parent unit\REV02\C7280_Module.SchDoc
 ModifiedDate: 2011-5-16



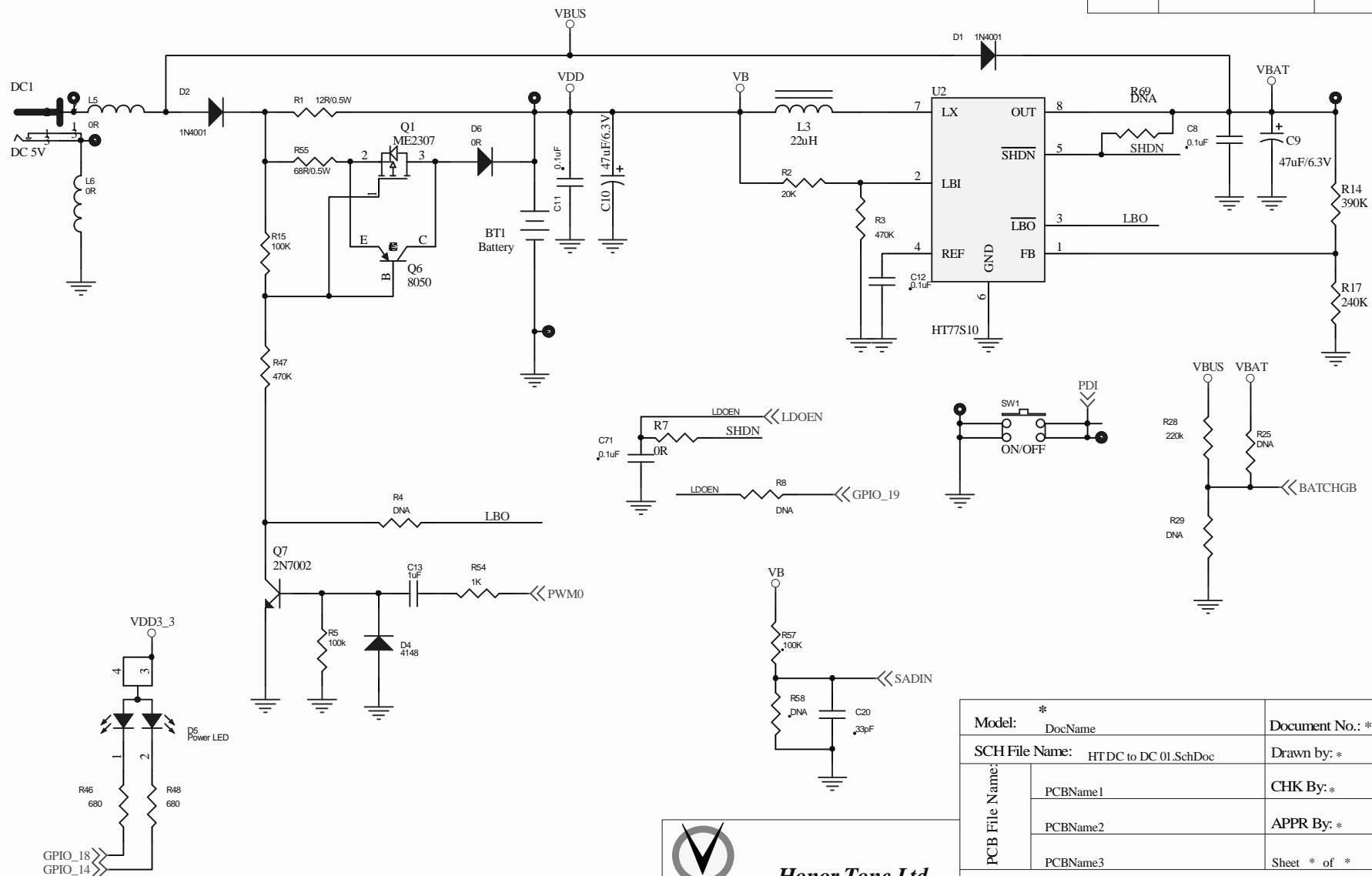
Revision Record			
LTR	ECO No.:	Approved	Date:



* Model: DocName		Document No.: *	
SCH File Name: LCD and RF.SchDoc		Drawn by: *	Date: *
PCB File Name:	PCBName1	CHK By: *	Date: *
	PCBName2	APPR By: *	Date: *
	PCBName3	Sheet * of *	Rev: *



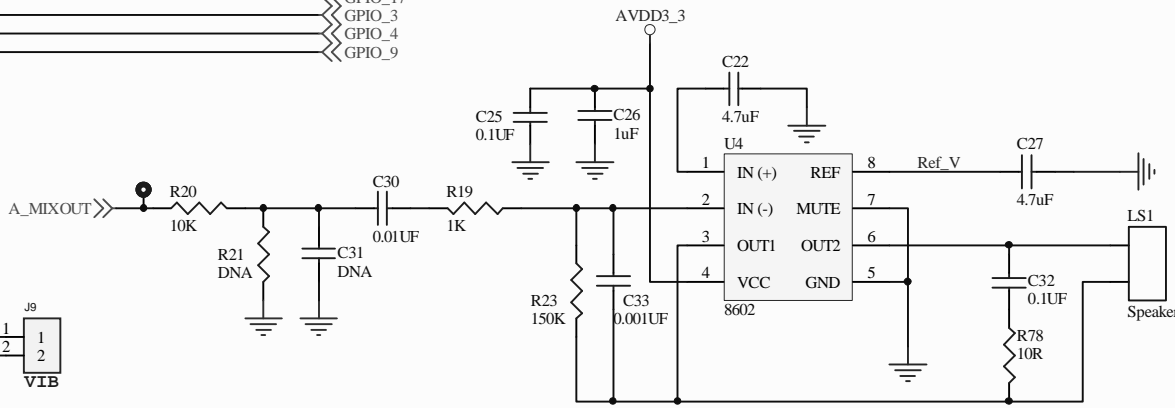
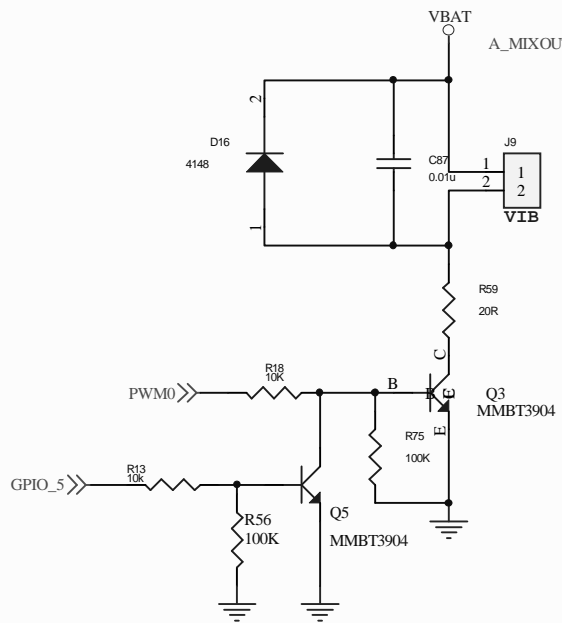
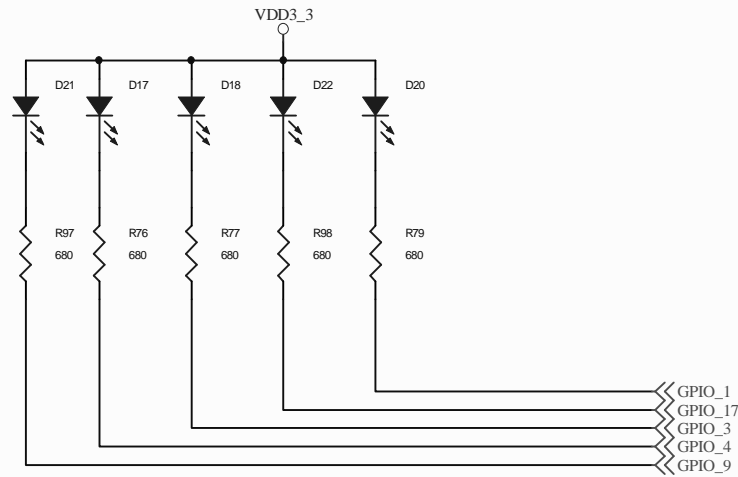
Revision Record			
LTR	ECO No.:	Approved	Date:



Model: *	DocName	Document No.:	*
SCH File Name:	HT DC to DC 01.SchDoc	Drawn by: *	Date: *
PCB File Name:	PCBName1	CHK By: *	Date: *
	PCBName2	APPR By: *	Date: *
	PCBName3	Sheet * of *	Rev: *

C:\Documents and Settings\1\桌面\Video FCC SCH and PCB\Parent unit\REV02\HT DC to DC 01.SchDoc
 ModifiedDate: 2011-4-29

Revision Record			
LTR	ECO No.:	Approved	Date:

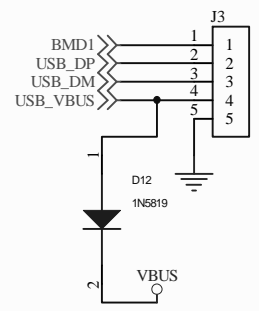
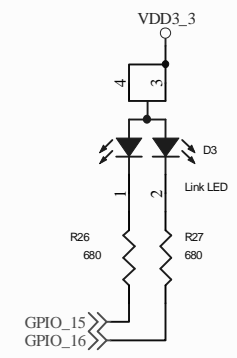
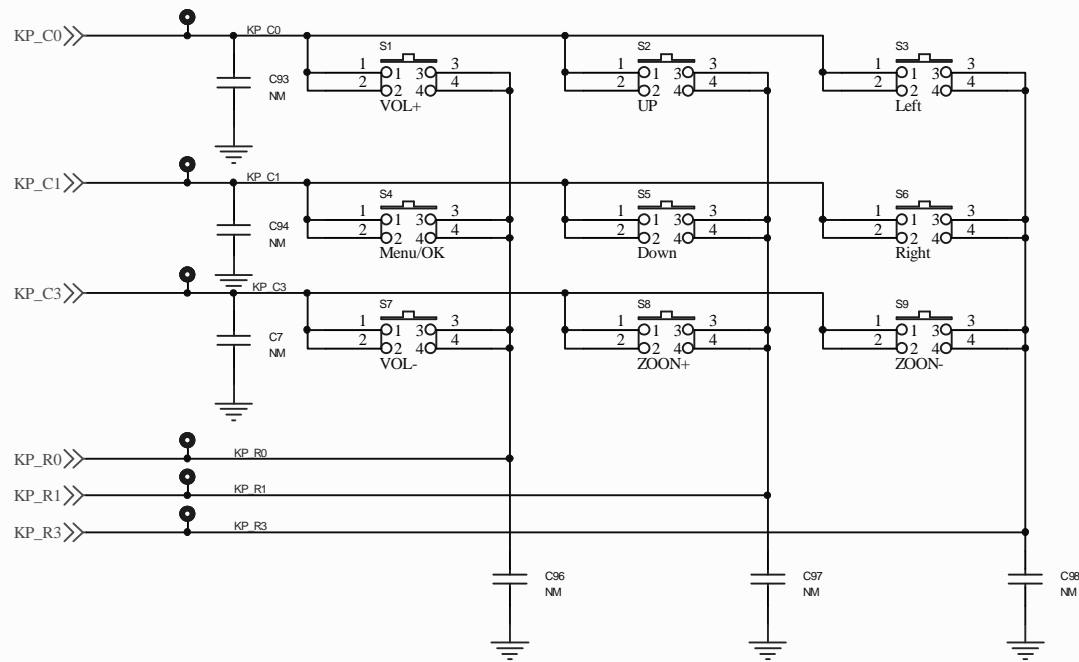


Honor Tone Ltd

Model:	* DocName	Document No.:	*
SCH File Name:	PAGE04_Audio.SchDoc	Drawn by:	*
PCB File Name:	PCBName1	CHK By:	*
	PCBName2	APPR By:	*
	PCBName3	Sheet * of *	Rev: *

C:\Documents and Settings\1桌面\Video FCC SCH and PCB\Parent unit\REV02\PAGE04_Audio.SchDoc
ModifiedDate: 2011-4-29

Revision Record			
LTR	ECO No.:	Approved	Date:



Model:	* DocName	Document No.:	*
SCH File Name:	PAGE05_RX Key & LED.SchDoc	Drawn by:	*
PCB File Name:	PCBName1	CHK By:	*
	PCBName2	APPR By:	*
	PCBName3	Sheet * of *	Rev: *

C:\Documents and Settings\1\桌面\Video FCC SCH and PCB\Parent unit\REV02\PAGE05_RX Key & LED.SchDoc
 ModifiedDate: 2011-4-29