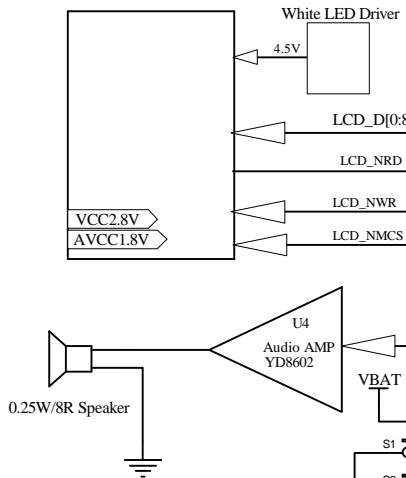
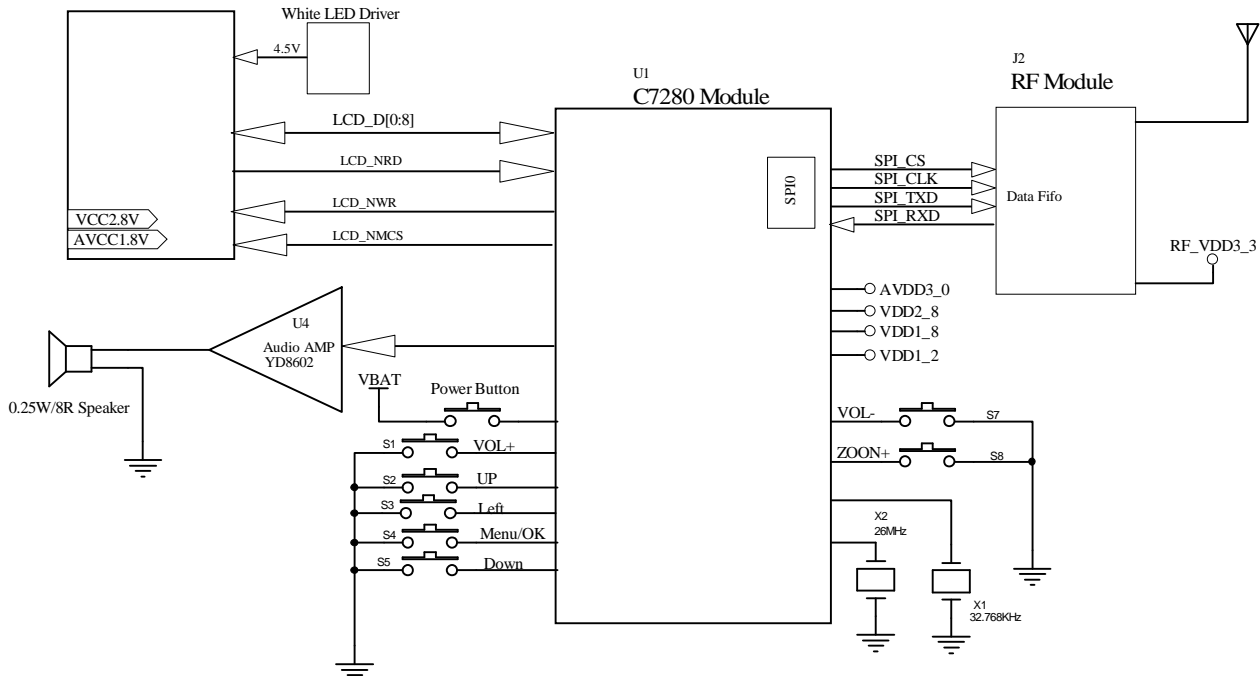


Revision Record			
LTR	ECO No.:	Approved	Date:

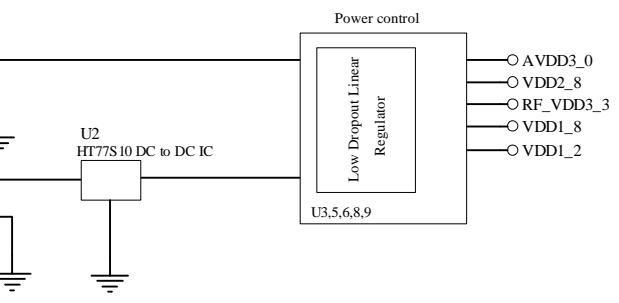
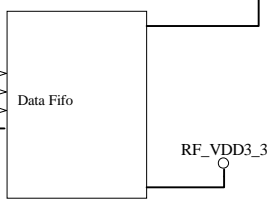
COLOR 2.4" TFT-LCD MODULE



**U1
C7280 Module**



**J2
RF Module**



Cannot open file
D:\md03\11\HTA

Honor Tone Ltd

Model:	Block Diagram --2VOO Video Baby Monitor Parent unit	Document No.:	*
SCH File Name:	block diagram - Parent unit.SchDoc	Drawn by:	*
PCB File Name:	PCBName1	CHK By:	*
	PCBName2	APPR By:	*
	PCBName3	Sheet 1 of 1	Rev: 1.0
\\172.31.2.88\elect\FYZhang\Video monitor\C7280 PCB and SCH\block diagram - Parent unit.SchDoc			

Modified Date: 2011-5-26