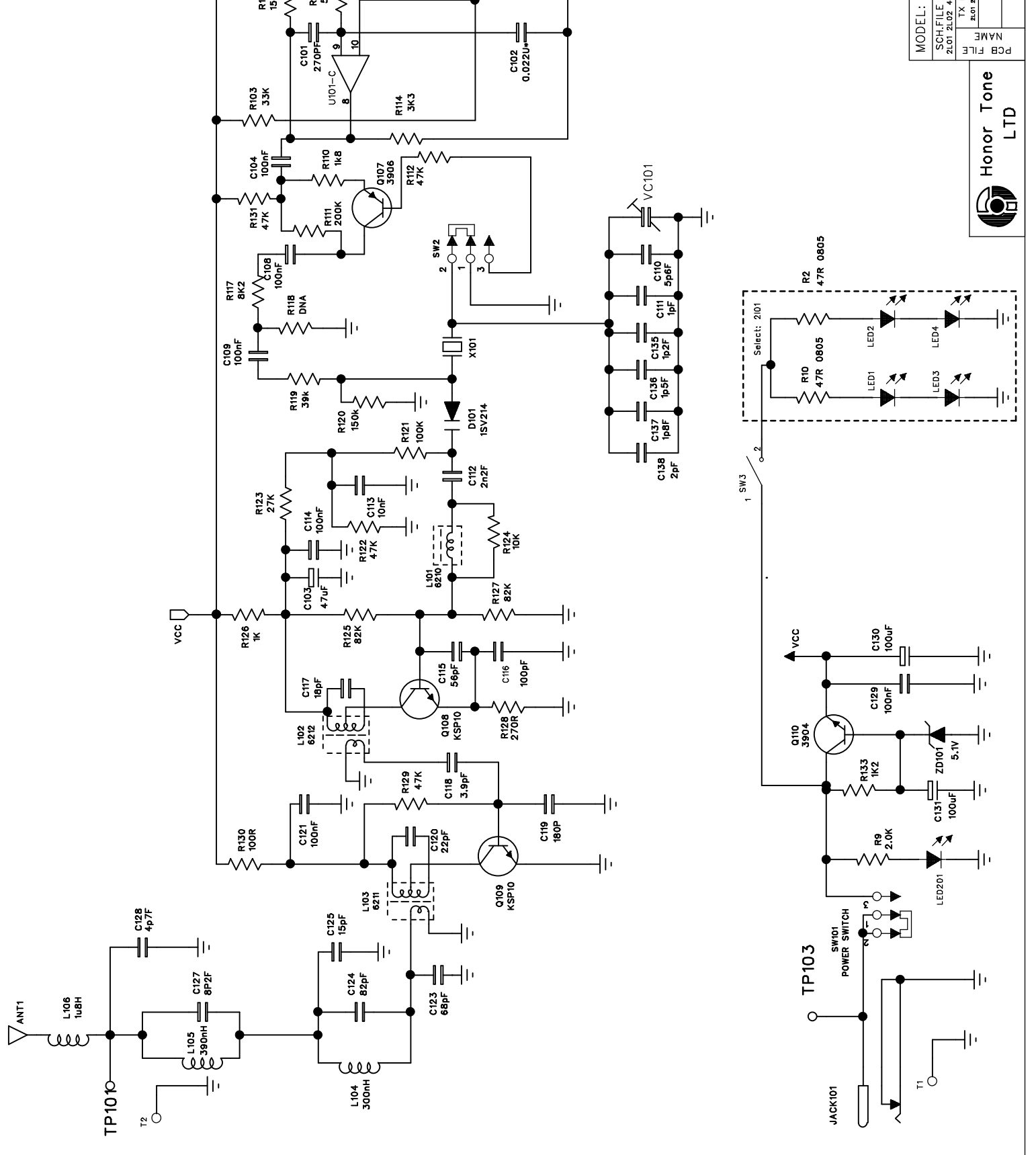


REVISION RECORD	
LTR	DATE:
ECC NO:	APPROVED:



MODEL: BABY 2L01 2L02	Document NO:
SCH FILE NAME: 2L01_2L02_4M Monitor Transmitter-1.1.sch	DWN BY: H P L
TX BOARD: 2L01_2L02_4M Monitor Transmitter-1.4.PCB	DATE 27/APR/10
PG FILE NAME	CHK BY:
	DATE:
	APPR BY:
	DATE:
	SHEET: 1
	REV:11

