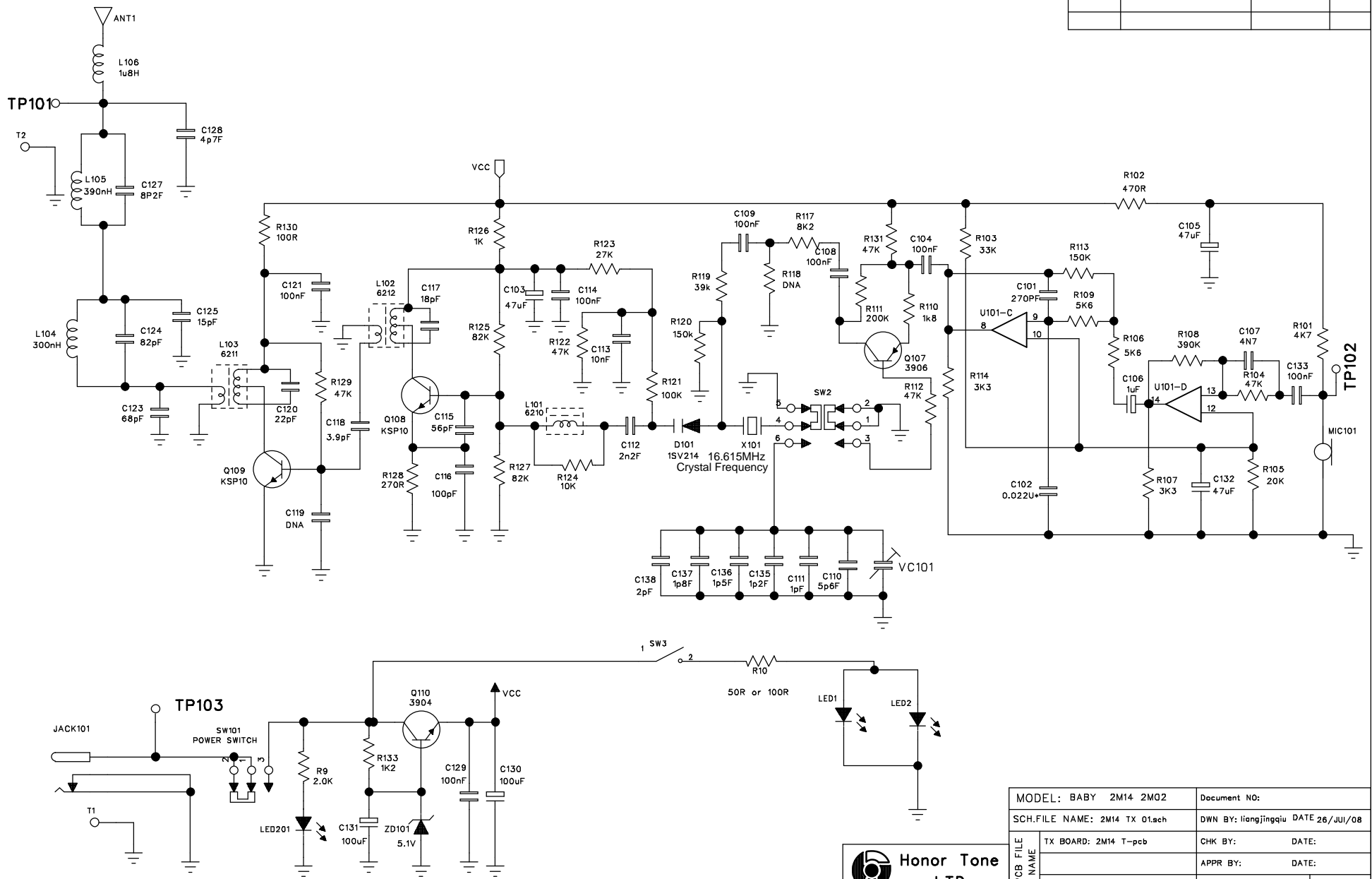


| REVISION RECORD | | | |
|-----------------|---------|-----------|-------|
| LTR | ECO NO: | APPROVED: | DATE: |
| | | | |
| | | | |
| | | | |



| | | | |
|-------------------------------|----------------------|-------------------------------------|---------|
| MODEL: BABY 2M14 2M02 | | Document NO: | |
| SCH.FILE NAME: 2M14 TX 01.sch | | DWN BY: liangjingqiu DATE 26/JUL/08 | |
| PCB FILE NAME | TX BOARD: 2M14 T-pcb | CHK BY: | DATE: |
| | | APPR BY: | DATE: |
| | | SHEET: 1 | REV:101 |



Honor Tone
LTD