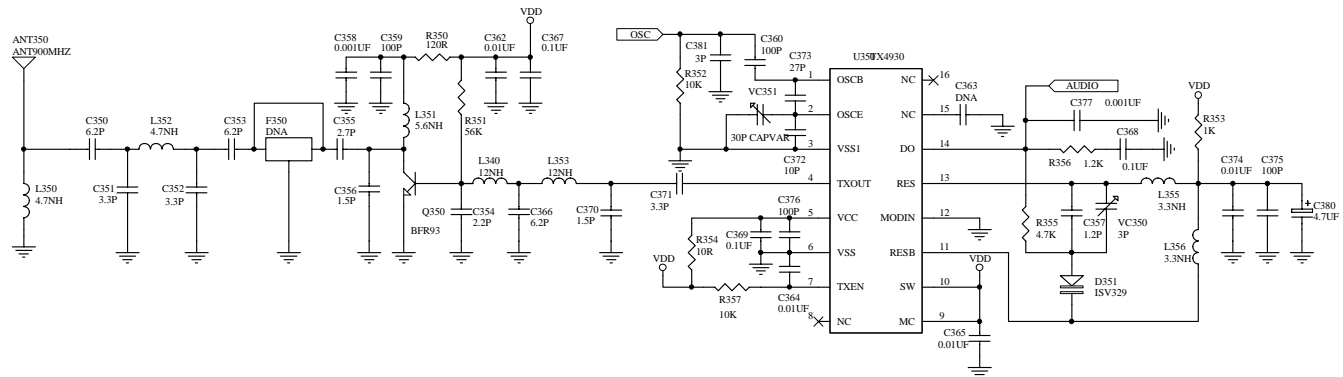
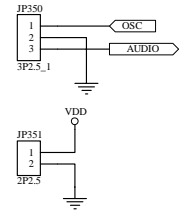


Revision Record			
LTR	ECO No.:	Approved	Date:

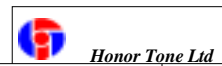


Channel A ---- 906.662 MHZ
 Channel B ---- 905.995 MHZ

Channel X ---- 907.992 MHZ
 Channel Y ---- 907.326 MHZ

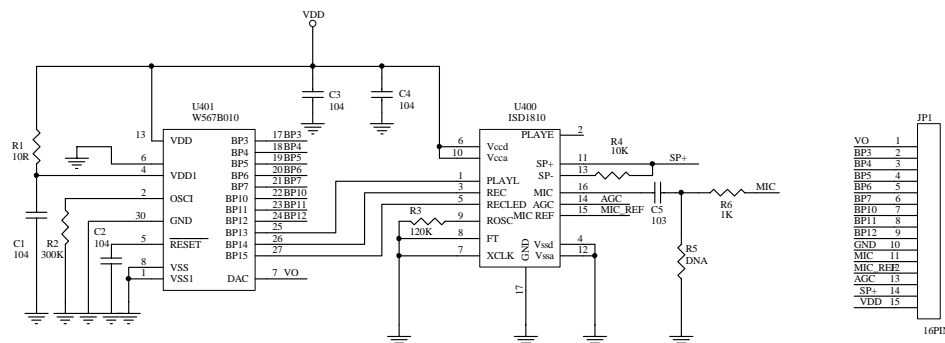


PCB350
TX RF PCB

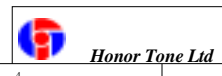


Model:	2M06 Child unit	Document No.:	
SCH File Name:	TX 4930 RF	Drawn by: qinziqiang	Date: 21-Oct-2005
PCB File Name:	900Mhz 4930 RF1.2C.PCB	CHK By: ZhangFaYin	Date: 21-Oct-2005
		APPR By:	Date:
		Sheet 2 of 4	Rev: 1.2C

Revision Record			
LTR	ECO No.:	Approved	Date:



Pin	Label
1	VO
2	BP3
3	BP4
4	BP5
5	BP6
6	BP7
7	BP10
8	BP11
9	BP12
10	GND
11	MIC
12	MIC REF
13	AGC
14	SP+
15	VDD



Model:	2M06 Child unit	Document No.:	
SCH File Name:	TX Melody_Recording	Drawn by:	qszhuo Date: 21-Oct-2005
PCB File Name:	TX Melody_Recording 1.2A.PCB	CHK By:	ZhangFaYu Date: 21-Oct-2005
		APPR By:	Date:
		Sheet 3 of 4	Rev: 1.2A

