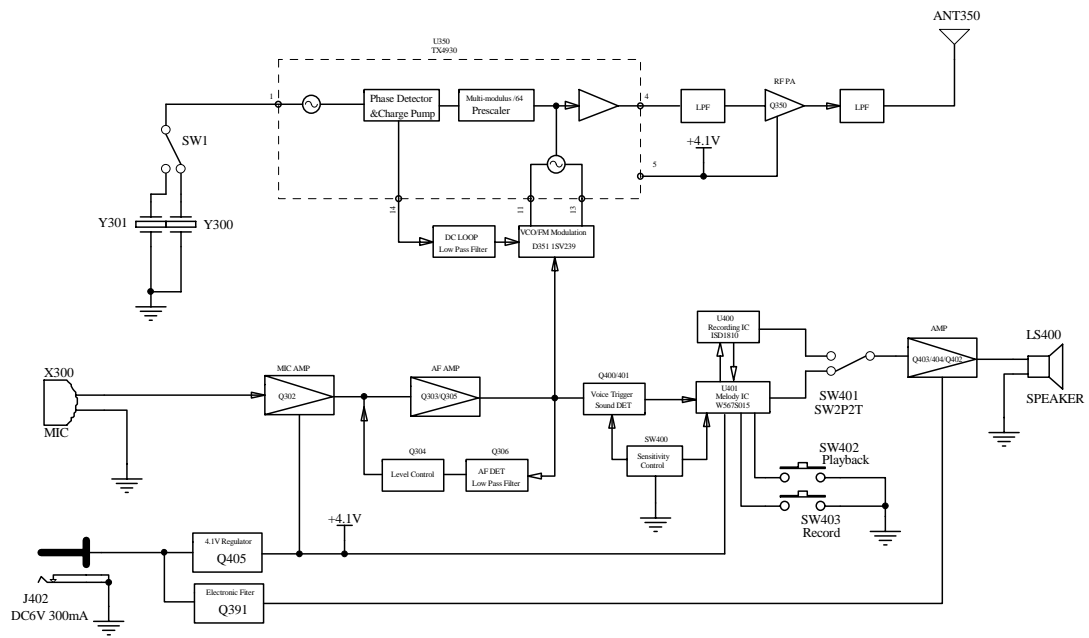


Revision Record			
LTR	ECO No.:	Approved	Date:



- TX Melody_Recording 1.2A.Sch
- TX Main Diagram 1.2d.Sch
- TX 4930 RF 1.2C.SCH



Model:	2M06 Child unit	Document No.:	
SCH File Name:	Child unit Outline Diagram	Drawn by: QiuZhiQiang	Date: 21-Oct-2005
PCB File Name:		CHK By: ZhangFaYun	Date: 21-Oct-2005
		APPR By:	Date:
		Sheet 1 of 4	Rev: 1.0