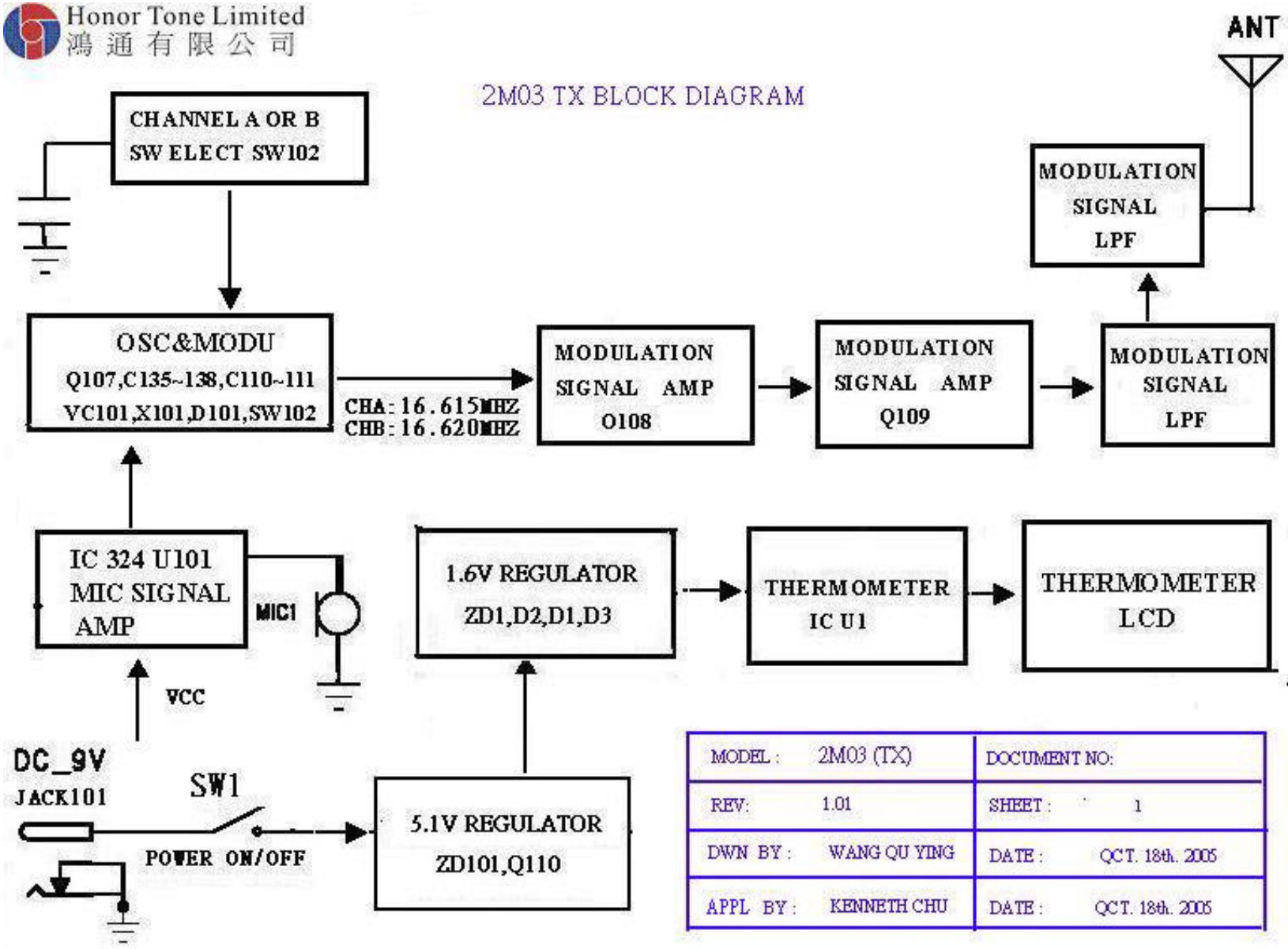


2M03 TX BLOCK DIAGRAM



MODEL :	2M03 (TX)	DOCUMENT NO:	
REV:	1.01	SHEET :	1
DWN BY :	WANG QU YING	DATE :	OCT. 18th. 2005
APPL BY :	KENNETH CHU	DATE :	OCT. 18th. 2005