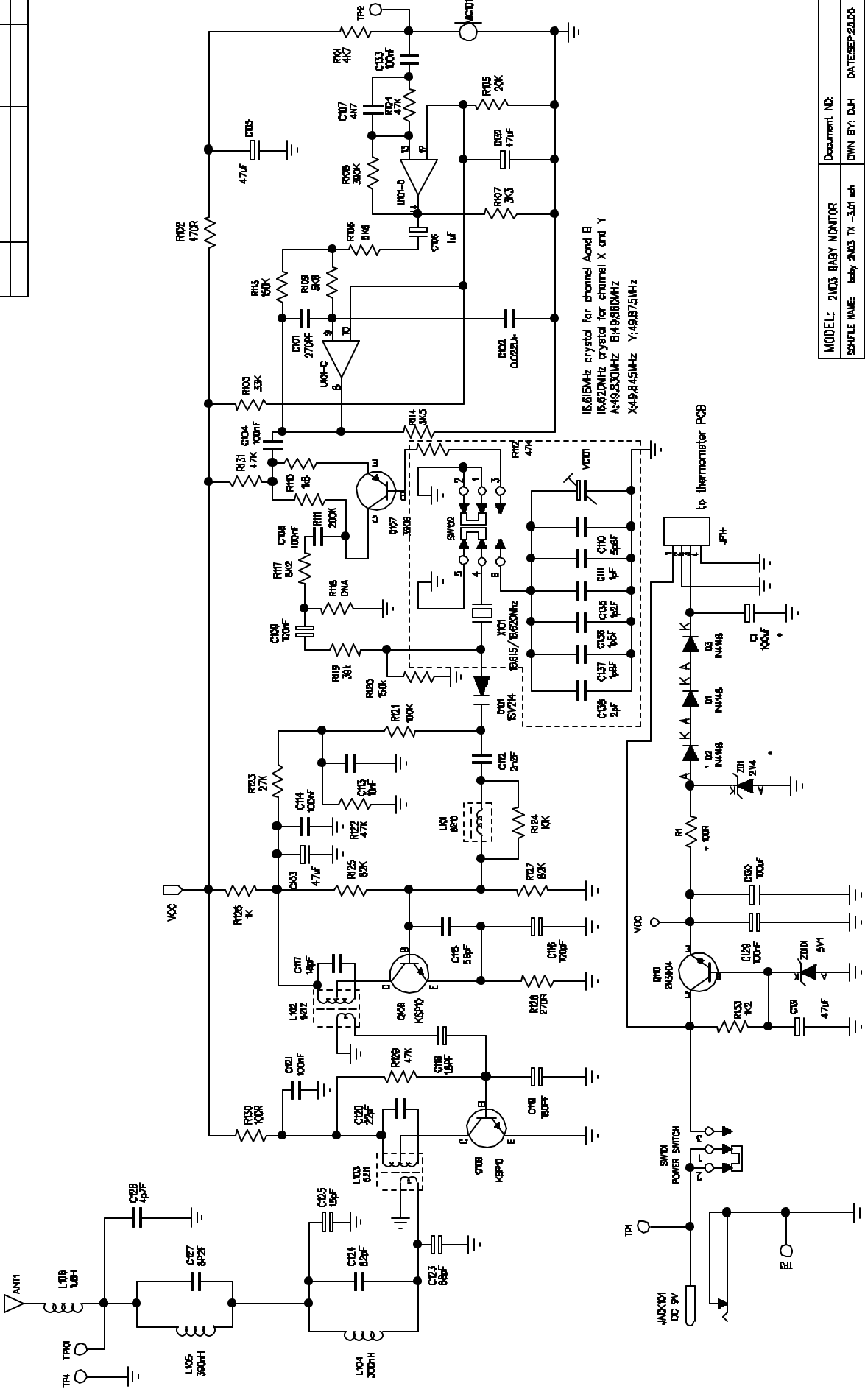
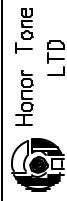


REVISION RECORD

LTR	ECO NO.	APPROVED	DATE



IS-615MHz crystal for channel A and B
 IS-620MHz crystal for channel X and Y
 N-49.830MHz B-49.800MHz
 X-49.845MHz Y-49.875MHz



MODEL: 2W03 BI-PHASE MONITOR	Document No:
SAMPLE NAME: baby 2W03 TX-3.01 mhz	DWN BY: DJM DATE: SEP 20 2008
TX BOARD: baby 2W03 TX-3.02 pcb	CHK BY: Wjg/Qu/Ying DATE: SEP 20 2008
	APPR BY: DATE:
	SHEET: 1 OF 1 REV: 3.01