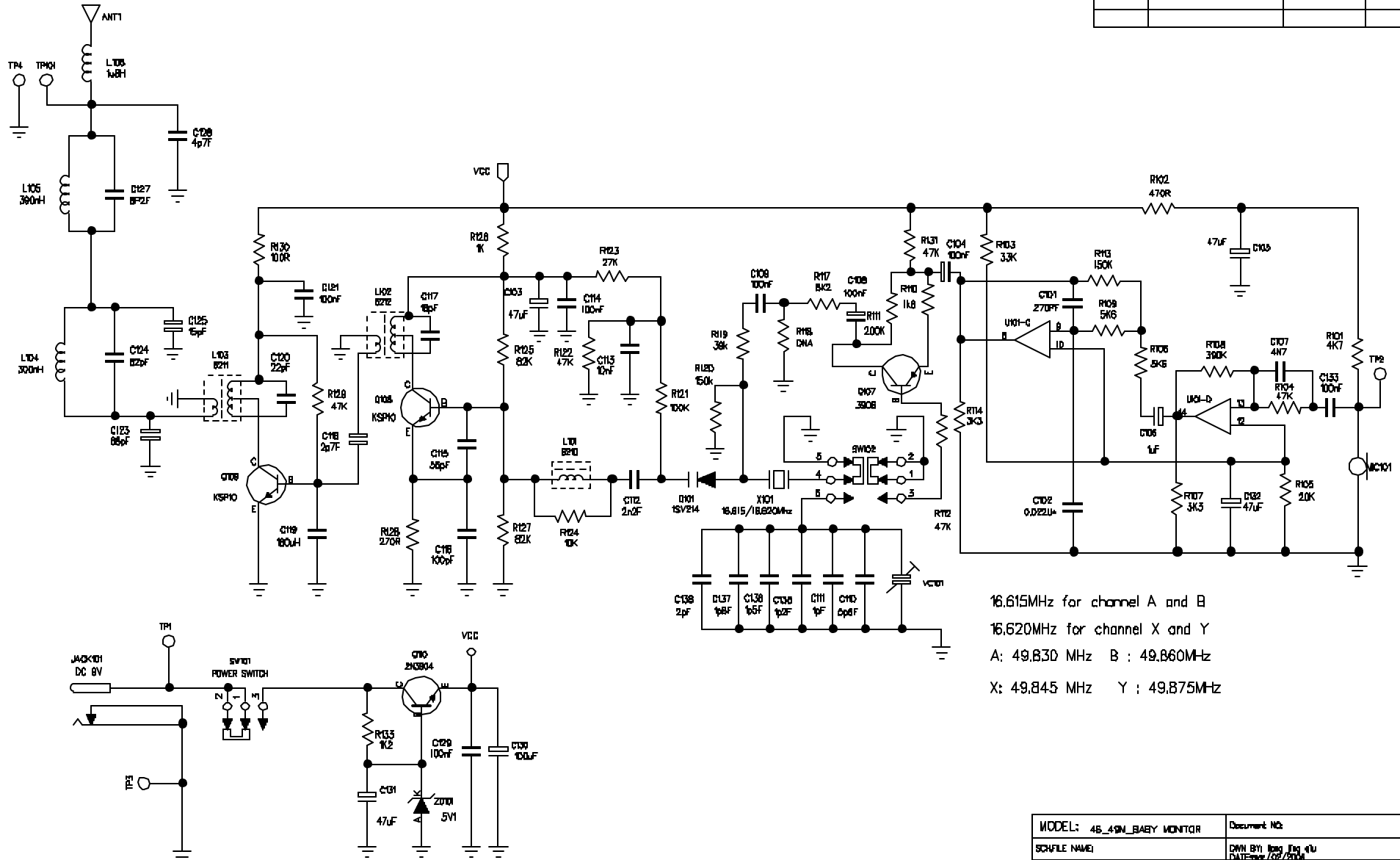


REVISION RECORD			
LTR	ECO NO.	APPROVED	DATE



16.615MHz for channel A and B
 16.620MHz for channel X and Y
 A: 49.830 MHz B : 49.860MHz
 X: 49.845 MHz Y : 49.875MHz



MODEL: 4S_49M_BABY MONITOR	Document No:
SCHE FILE NAME:	DWN BY: Ray Tan 4/11 DATE: 02/20/2006
TX BOARD:	CHK BY: QYWang DATE: Mar 20th 2006
PCB FILE NAME:	APPR BY: Kenneth Chu DATE: Mar 23th 2006
SHEET: 1 OF 1 REV:01	