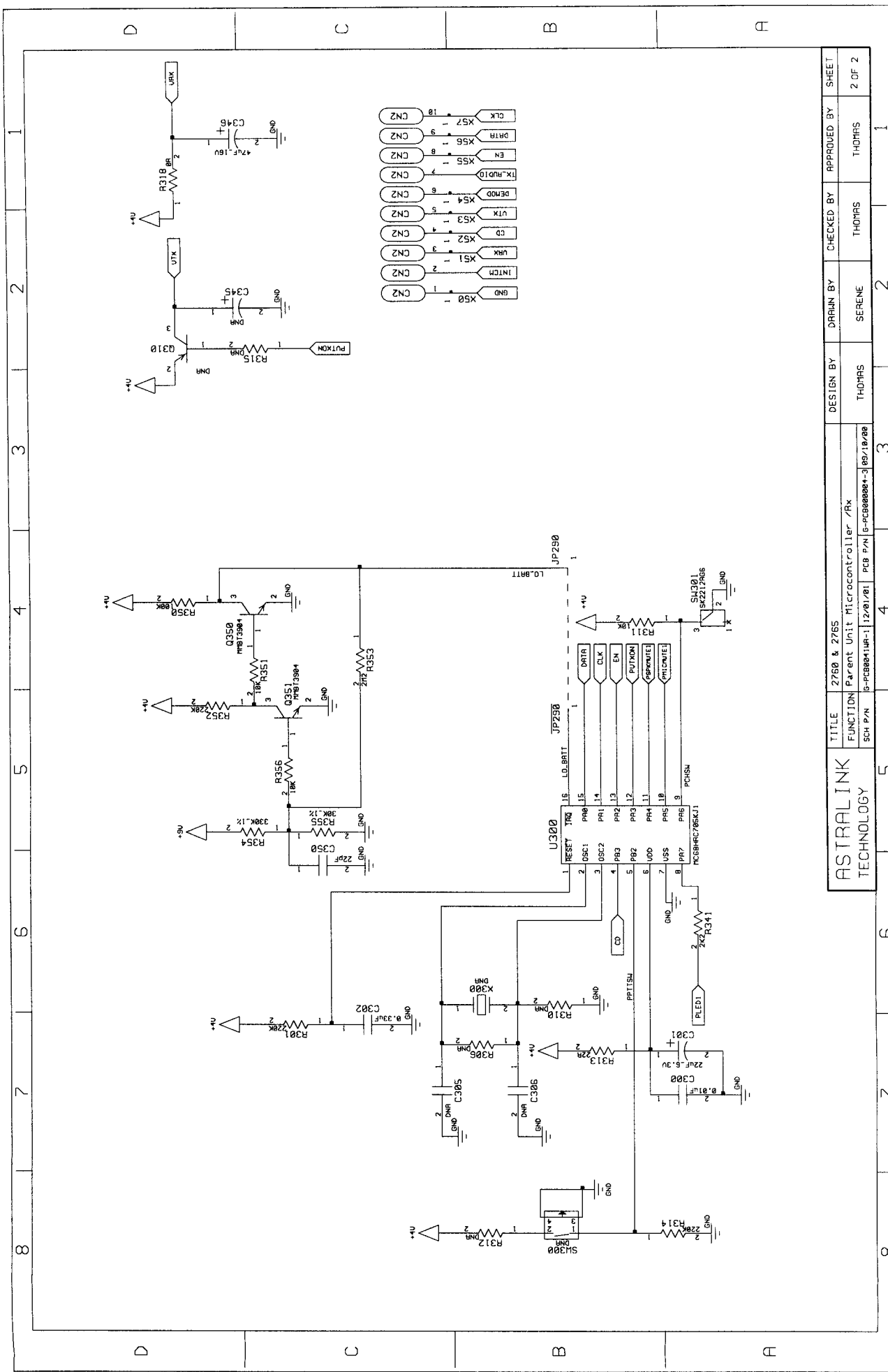
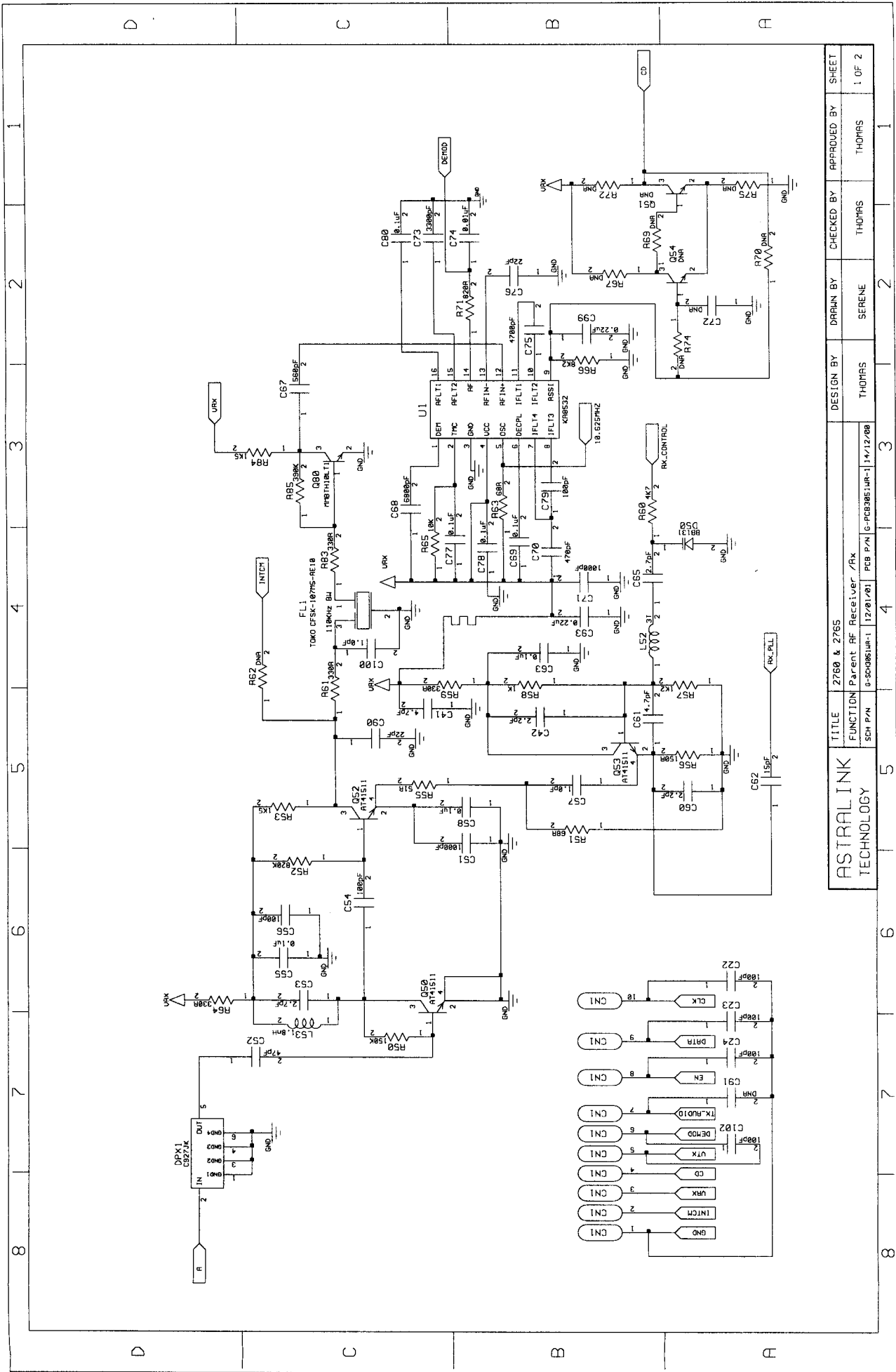
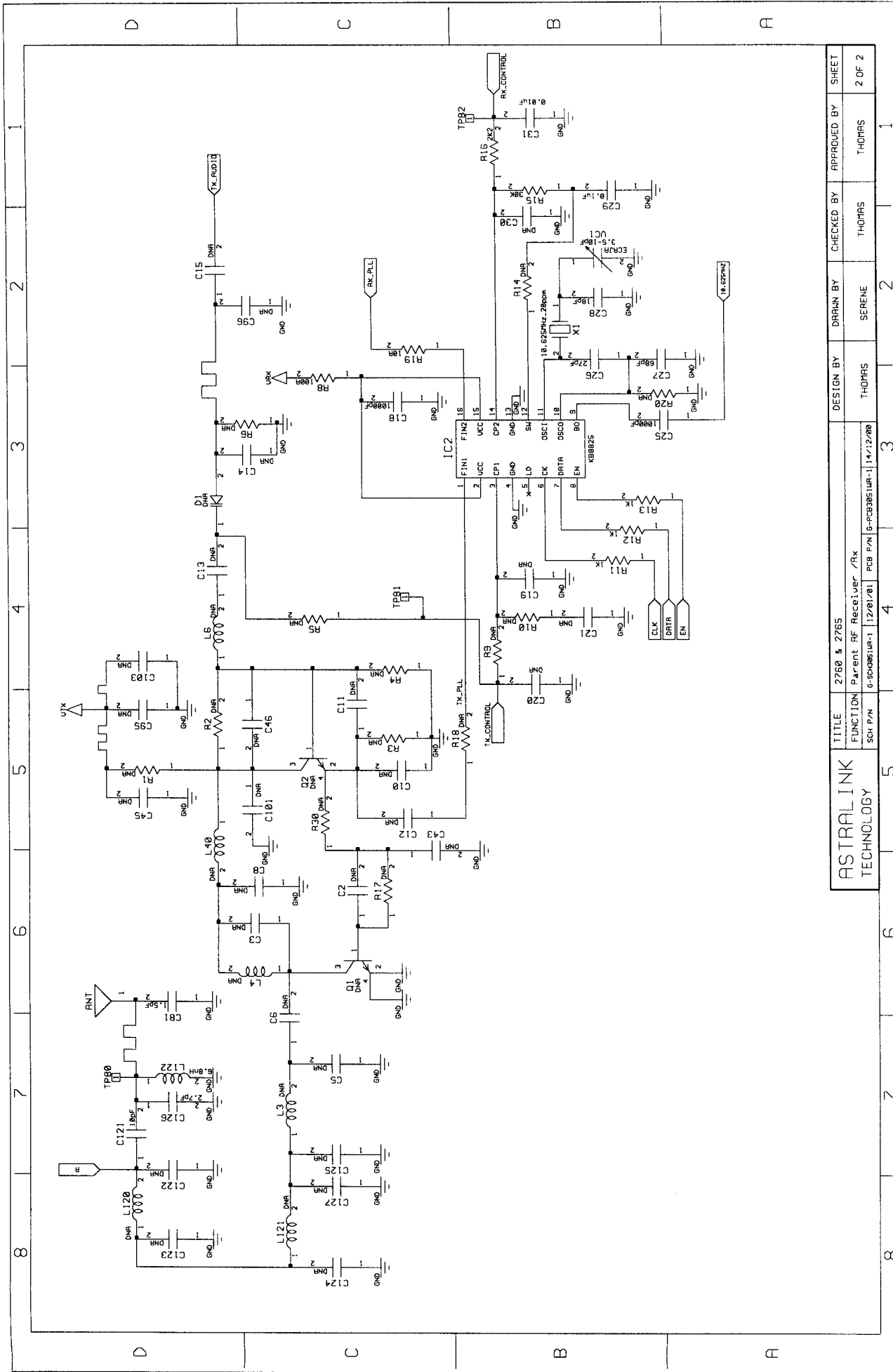


DESIGN BY	THOMAS	CHECKED BY	THOMAS	DRAWN BY	SERENE	APPROVED BY	THOMAS	
TITLE: 2760 & 2765 FUNCTION: Parent Unit Baseband (Rx) SCH P/N: 6-SC4001UR-1122/01/01 PCB P/N: 6-PCB00000-3 05/10/00							SHEET	1 OF 2

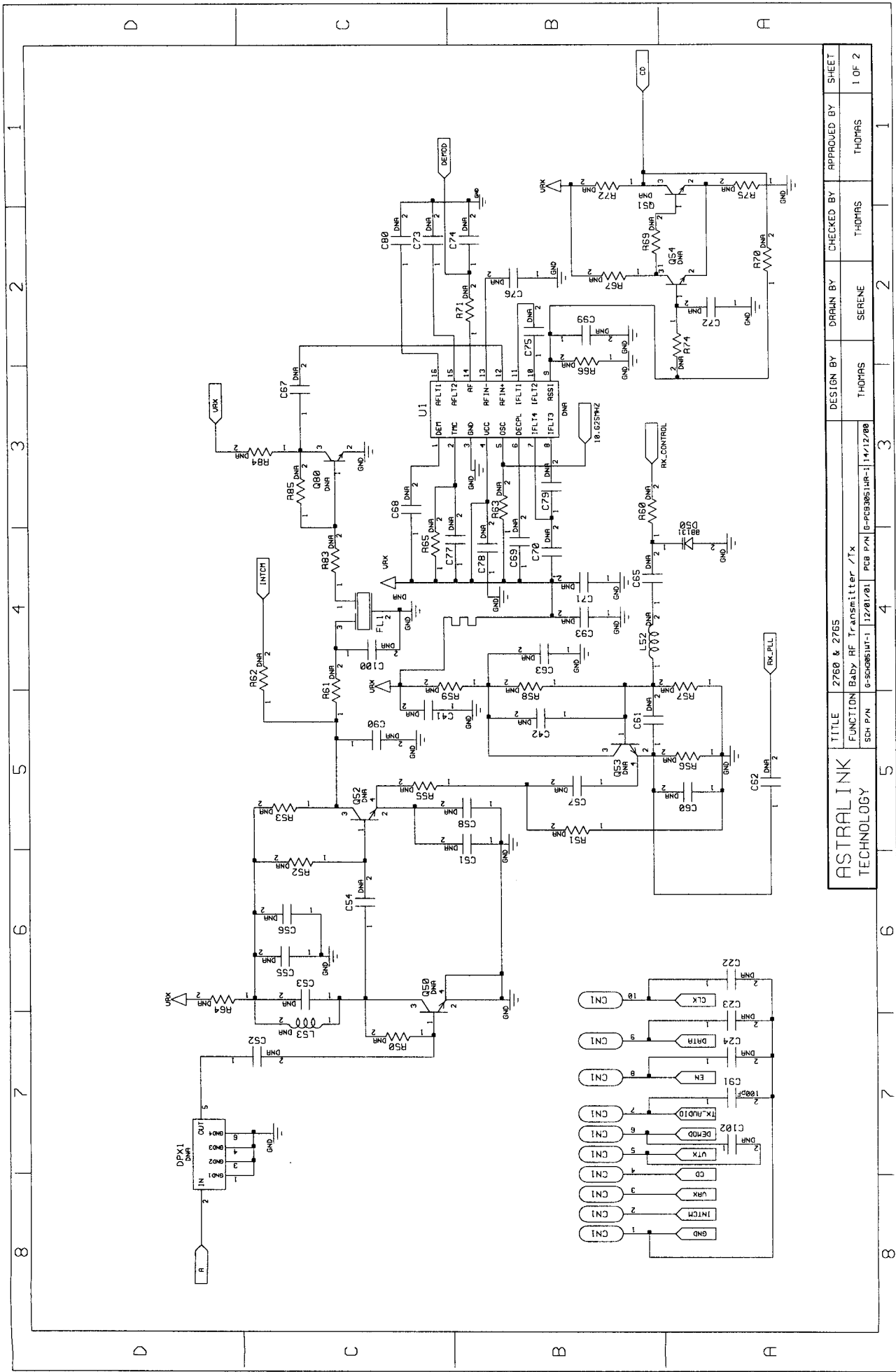




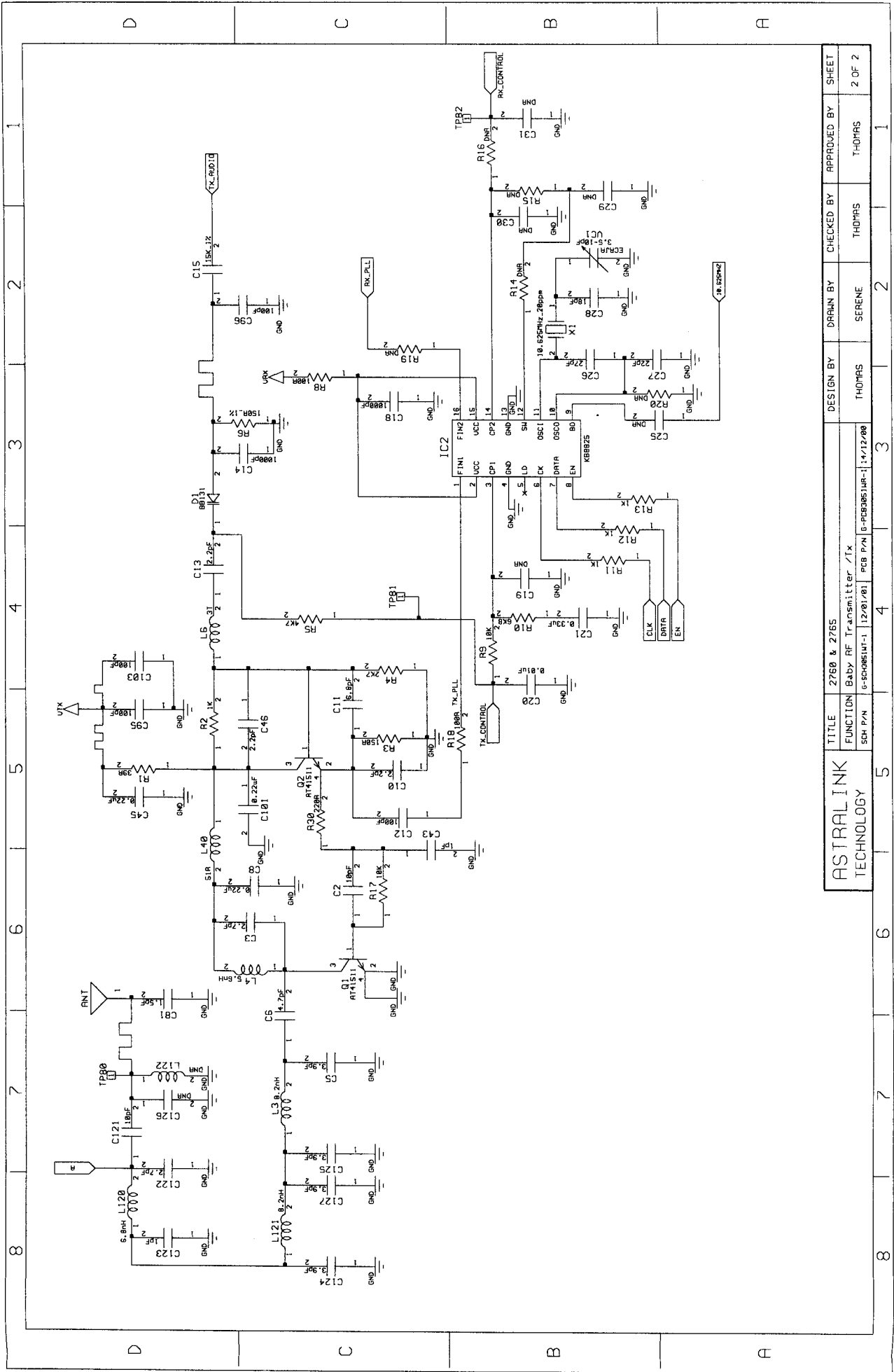
ASTRALINK TECHNOLOGY		TITLE: 2768 & 2765 Parent RF Receiver /Rx		DESIGN BY: THOMAS	CHECKED BY: THOMAS	APPROVED BY: THOMAS	SHEET: 1 OF 2
		FUNCTION: SCA P/N: 6-SC9851ur-1 12/01/01 PCB P/N: 6-PC93851ur-1 14/12/08		DESIGN BY: THOMAS	CHECKED BY: SERENE	APPROVED BY: THOMAS	SHEET: 1 OF 2



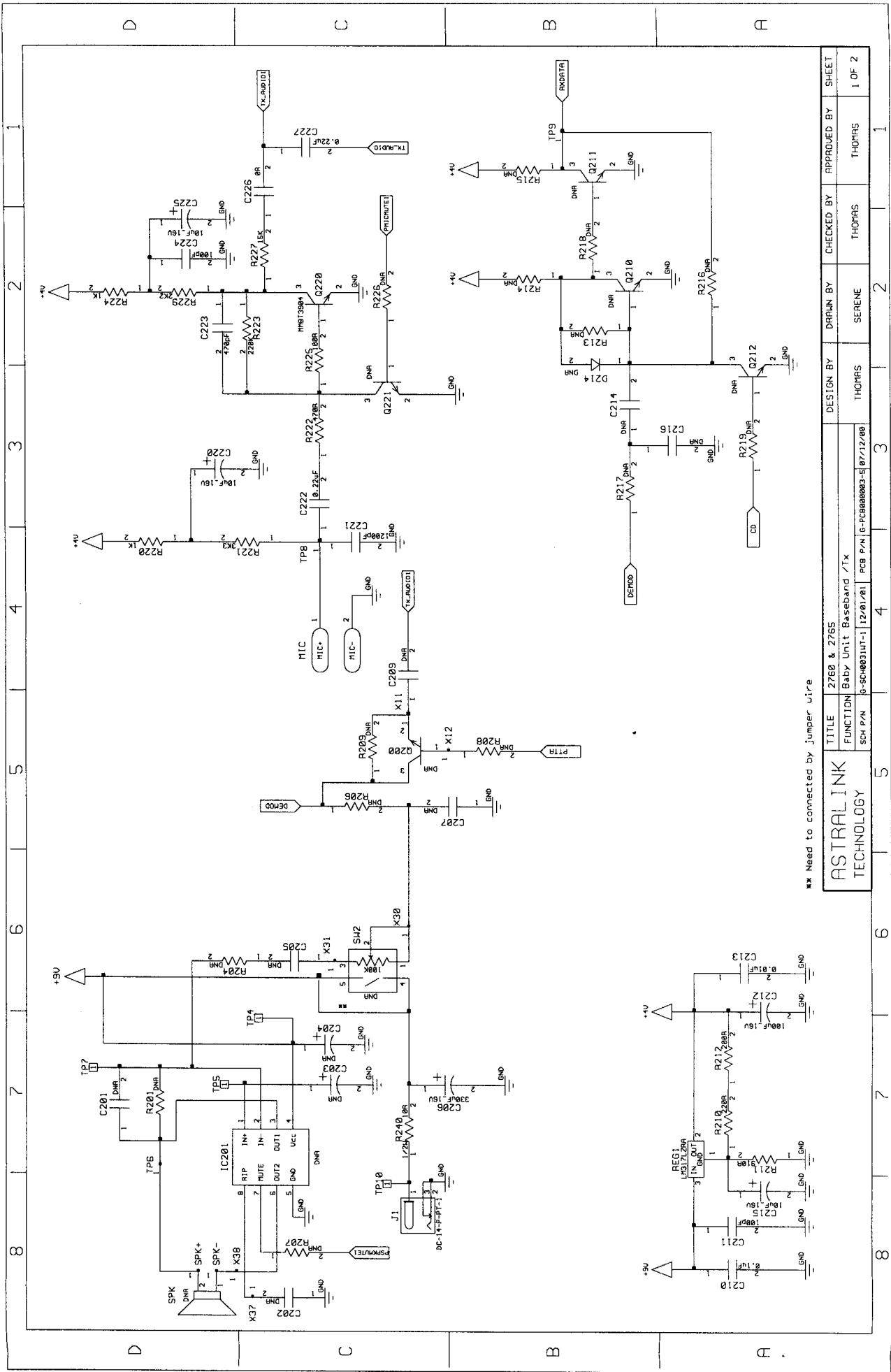
ASTRALINK TECHNOLOGY		TITLE	2760 & 2765	DESIGN BY	THOMAS	CHECKED BY	THOMAS	APPROVED BY	THOMAS	SHEET	2 OF 2
FUNCTION		Parent RF Receiver /Rx		DRAWN BY	SERENE						
SCH P/N		12201/01	PCB P/N	6-PCB385 (ur-1) 14/12/08							



ASTRALINK TECHNOLOGY		TITLE 2750 & 2765		DESIGN BY THOMAS		CHECKED BY THOMAS		APPROVED BY THOMAS		SHEET 1 OF 2	
FUNCTION Baby RF Transmitter /Tx		SCH P/N 6-500851UR-11/12/00		PCB P/N 6-PC50851UR-11/12/00		SERENE		THOMAS			

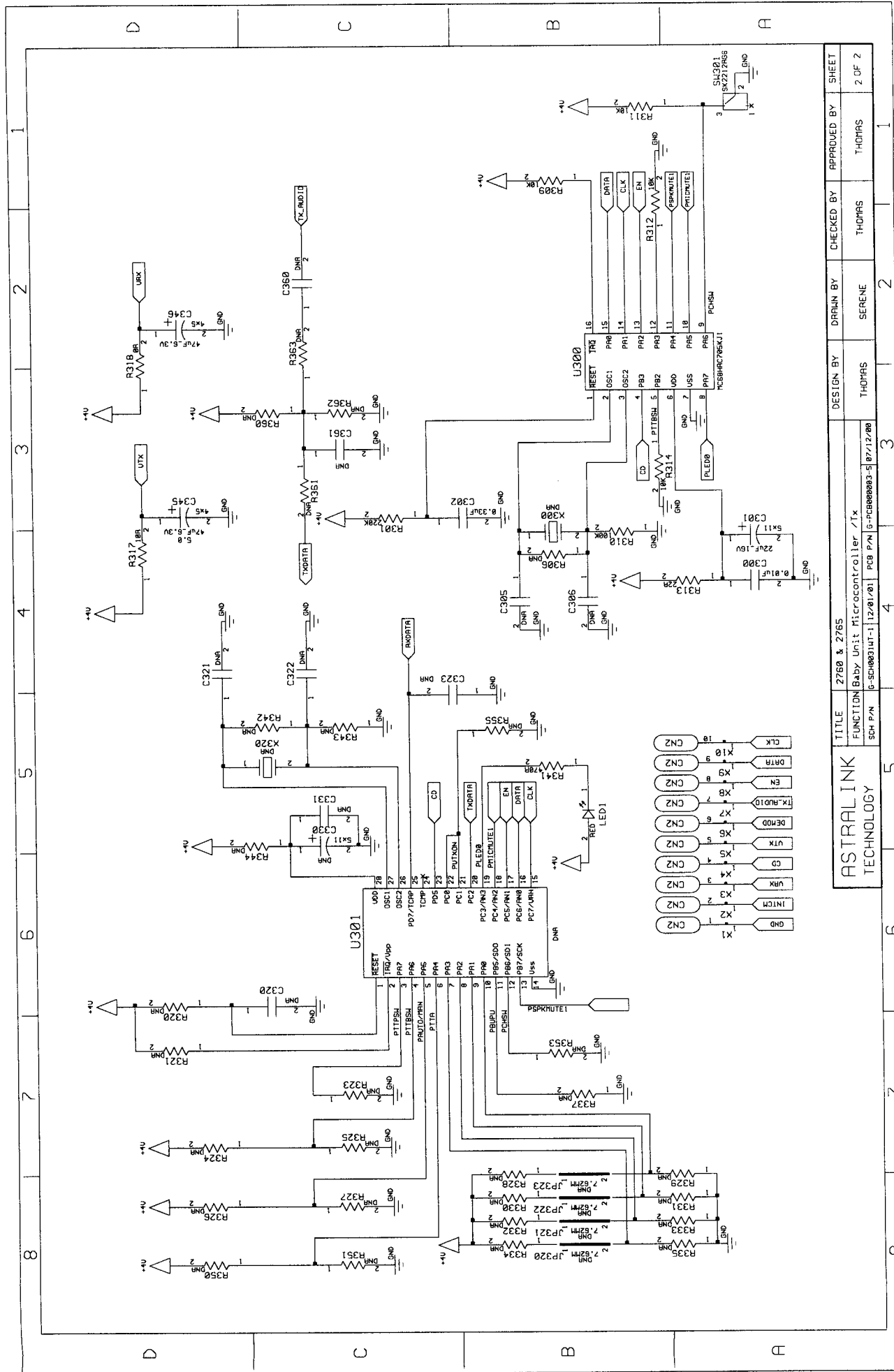


TITLE		2760 & 2765		DESIGN BY		THOMAS		CHECKED BY		THOMAS		APPROVED BY		SHEET	
FUNCTION		Baby RF Transmitter /Tx		SCH P/N		G-PCB30651AR-1:1/12/00		PCB P/N		G-PCB30651AR-1:1/12/00		THOMAS		2 OF 2	
ASTRALINK TECHNOLOGY															



*** Need to connected by jumper wire

TITLE		2768 & 2765	
FUNCTION		Baby Unit Baseband /Tx	
SCH P/N	G-SCH0031UT-1	PCB P/N	G-PCB00003-5 07/12/00
DESIGN BY	THOMAS	CHECKED BY	THOMAS
DRAWN BY	SERENE	APPROVED BY	THOMAS
ASTRALINK TECHNOLOGY		SHEET 1 OF 2	



TITLE		2760 & 2765		DESIGN BY		THOMAS		APPROVED BY		SHEET	
FUNCTION		Baby Unit Microcontroller / Ix		CHECKED BY		THOMAS		DRAWN BY		2 OF 2	
SCH P/N		G-SCH0831UT-1 (12/01/01)		PCB P/N		G-PCB080803-5 (87/12/00)		SERENE		THOMAS	

ASTRALINK
TECHNOLOGY