

EXHIBIT C

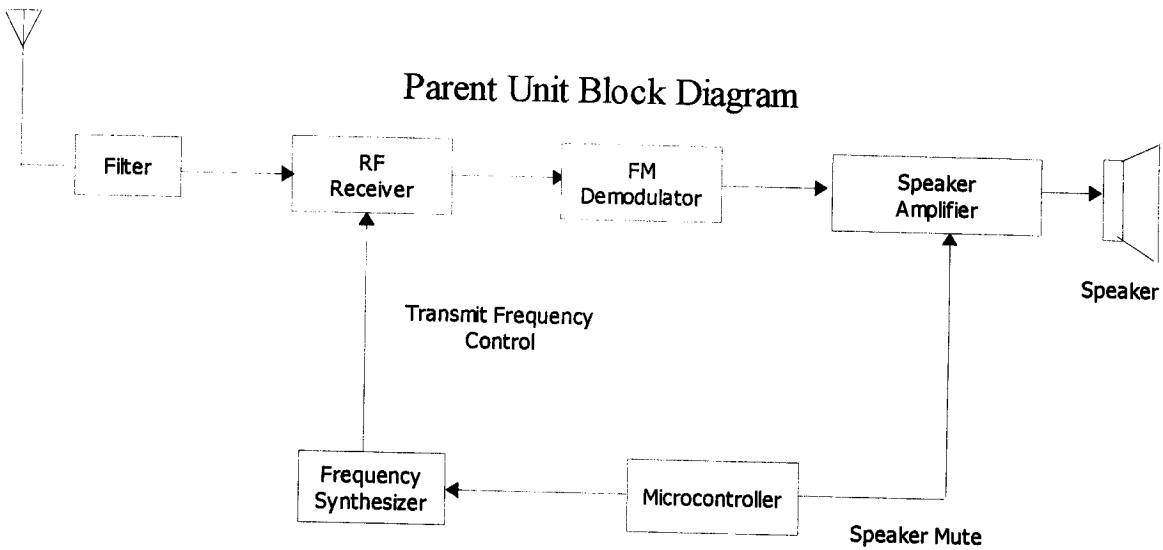
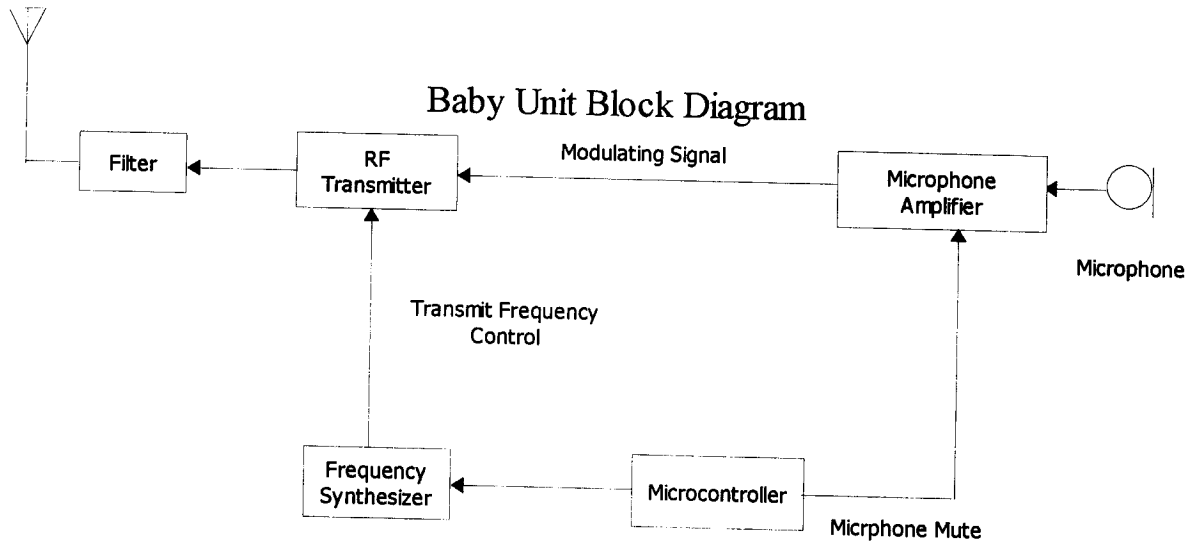
[FCC Ref. 2.1033(b)(5)]

"Block and Schematic Diagrams"

Exhibit C(1)-1 - Block Diagram

Exhibit C(2)-1 to C(2)-8 - Schematics

**GBM 1 Way Block Diagram**



FCC ID: M6Y002020900  
Marstech Report No. 21018D  
EXHIBIT C(1)-1