

**EXHIBIT E**

**(FCC Ref. 2.1033(b)(7))**

**"Photographs"**

**Exhibit E(1)-1 to E(1)-3 - Equipment Labels  
Exhibit E(2)-1 to E(2)-7 - Equipment Photos**

# ⚠ WARNING

DO NOT USE BEFORE READING WARNINGS AND INSTRUCTIONS. FOR INSTRUCTION SHEET CALL 1-800-345-4109 IN THE U.S.A.

FCC ID M6Y001020900T

THIS DEVICE COMPLIES WITH PART 15 OF FCC RULES. OPERATION OF THIS DEVICE IS SUBJECT TO THE FOLLOWING TWO CONDITIONS: (1) THIS DEVICE MAY NOT CAUSE HARMFUL INTERFERENCE AND (2) THIS DEVICE MUST ACCEPT ANY INTERFERENCE RECEIVED INCLUDING INTERFERENCE THAT MAY CAUSE UNDESIRABLE OPERATION.

CANADA 210

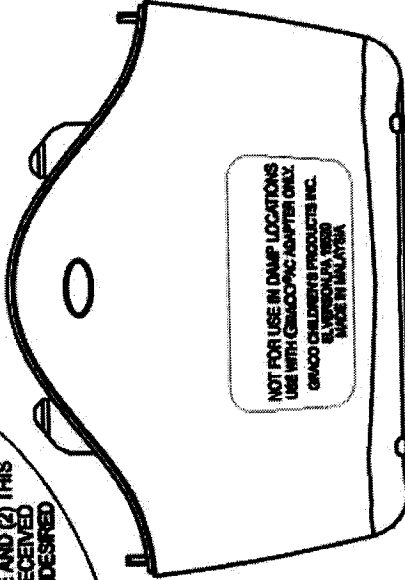
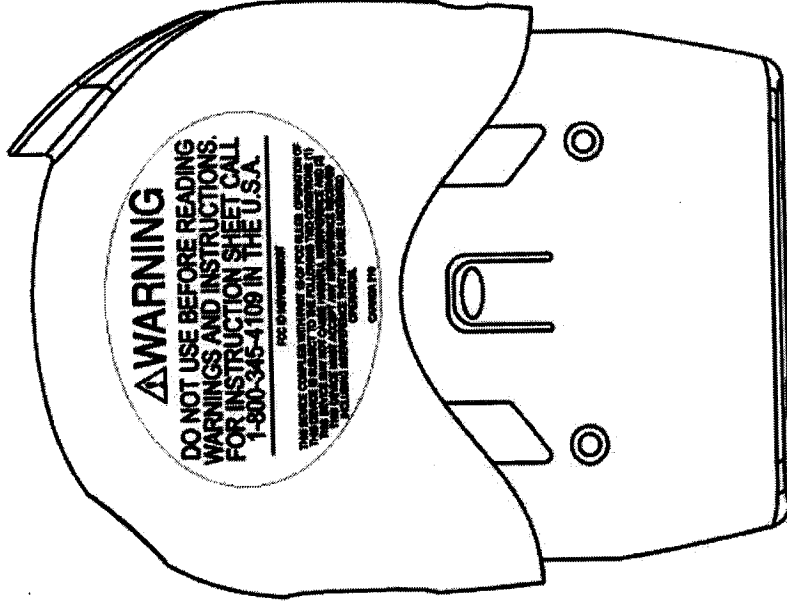
NOT FOR USE IN DAMP LOCATIONS USE WITH GRACO® AC ADAPTER ONLY.  
GRACO CHILDREN'S PRODUCTS INC.  
ELVERSON, PA. 19520  
MADE IN MALAYSIA

Scale 2 : 1

### Notes :

All text - emboss 0.15mm.

The area within the text block - recess 0.3 mm.



Scale 1 : 1



Product Name	EMBOSSED ARTWORK FOR FCC WORKING		
Client	14-3100	Order No.	0019-008-A
Scale	1:1	Product Name	BABY MONITORING DEVICE
		Material	Material
		Finish	Finish

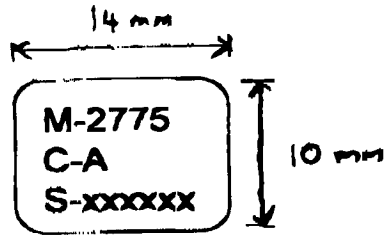


# Tru-Tech Electronics (M) Sdn Bhd

To: Michael (Astralink)  
From : CH Lim (Tru-Tech)

Below are the date code format:

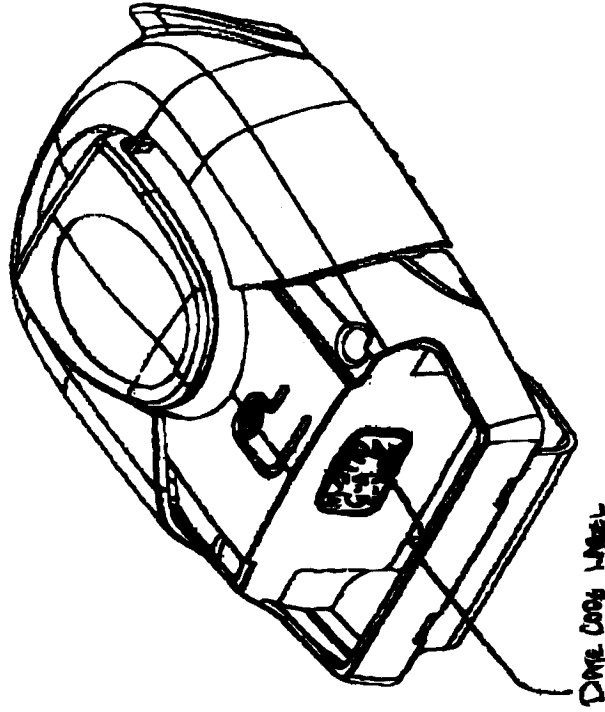
Date code label P/N: LBL00000D  
Description: Label, Date Code  
Format: Example



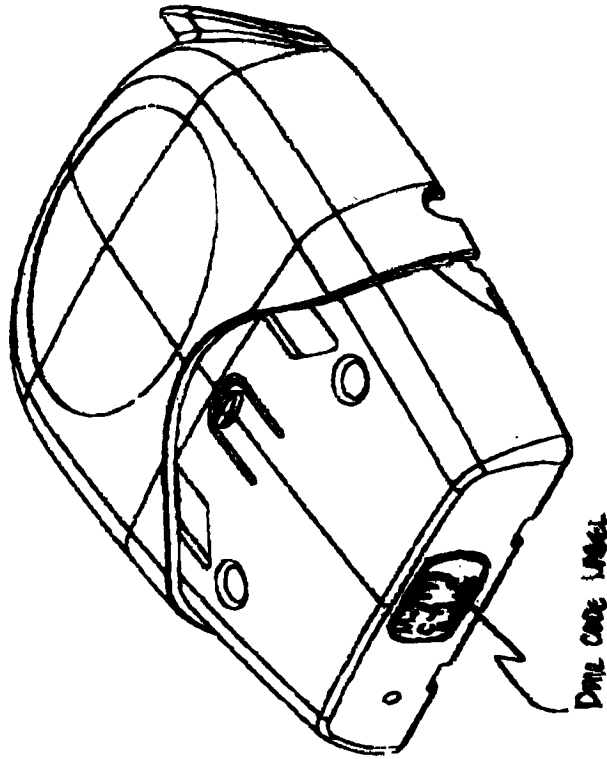
- M - Model Number (2775 or 2770)
- C - Frequency Group (2775 – A, B, C, D or E ; 2770 – AB or XY)
- S - Date (DDMMYY)

FCC ID: M6Y001020900T  
Marstech Report No. 20475D  
EXHIBIT E(1)-2

1/2



PARENT UNIT (27701)



BABY UNIT (2770 A 2115)

TO: MS. LM (REVIEW)  
 FROM: MATT CORCORAN  
 DATE: 11/11/00

FCC ID: M6Y001020900T  
 Marstech Report No. 20475D  
 EXHIBIT E(1)-3

Nov. 17 2000 04:53 PM P1

PHONE NO. :

FROM : PRODESIGN