

DESIGN BY	THOMAS
CHECKED BY	THOMAS
DRAWN BY	SERENE
APPROVED BY	THOMAS

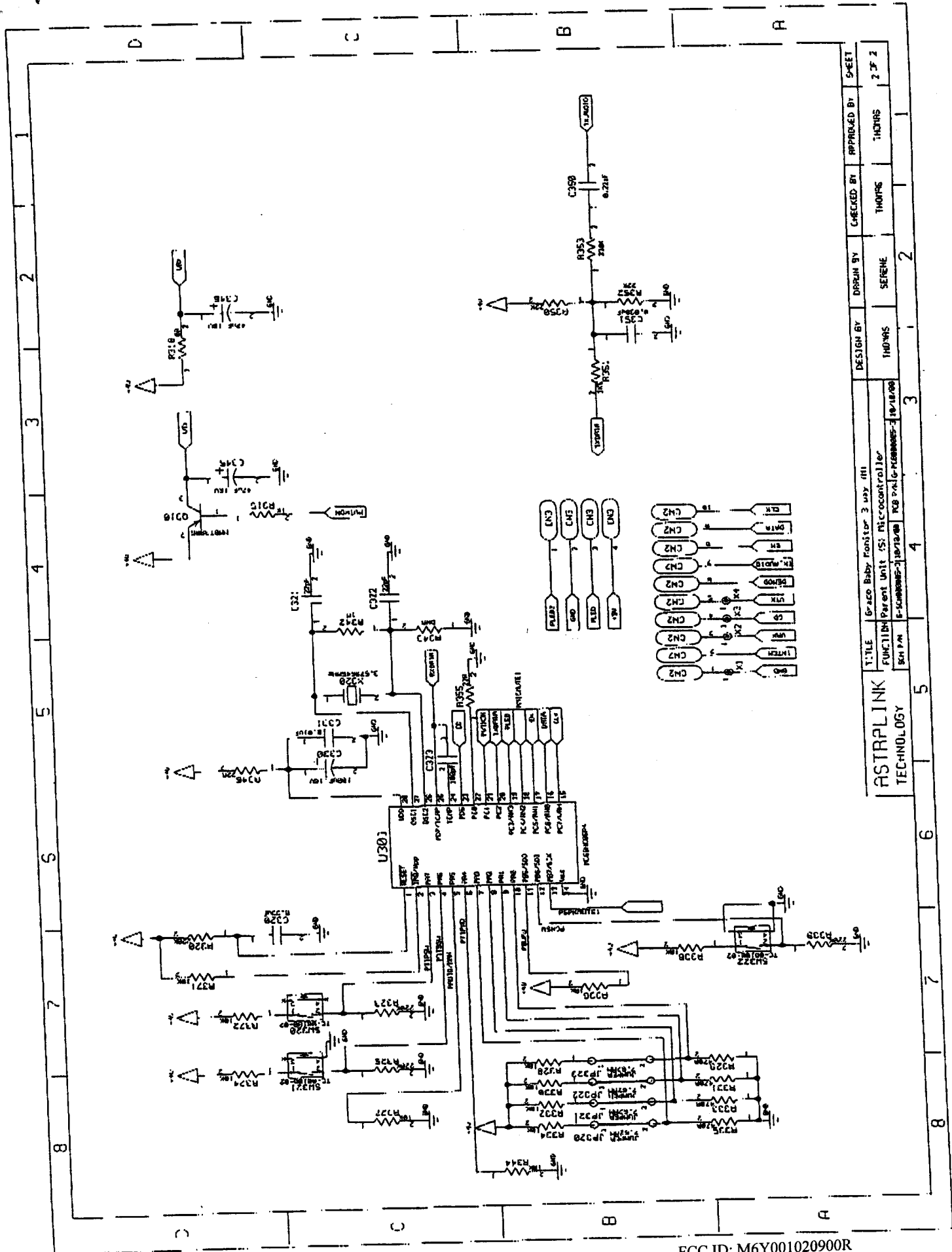
BOM CODE:	0-PSY300023
TITLE	Graco Baby Monitor 2way (M1/3 way) (A)
FUNCTION	RF Receiver
SC P/N	P-SC000003-Rev. 2/23/11/08
PCB P/N	0-PSY300003-01 24/10/08

**ASTRALINK  
TECHNOLOGY**

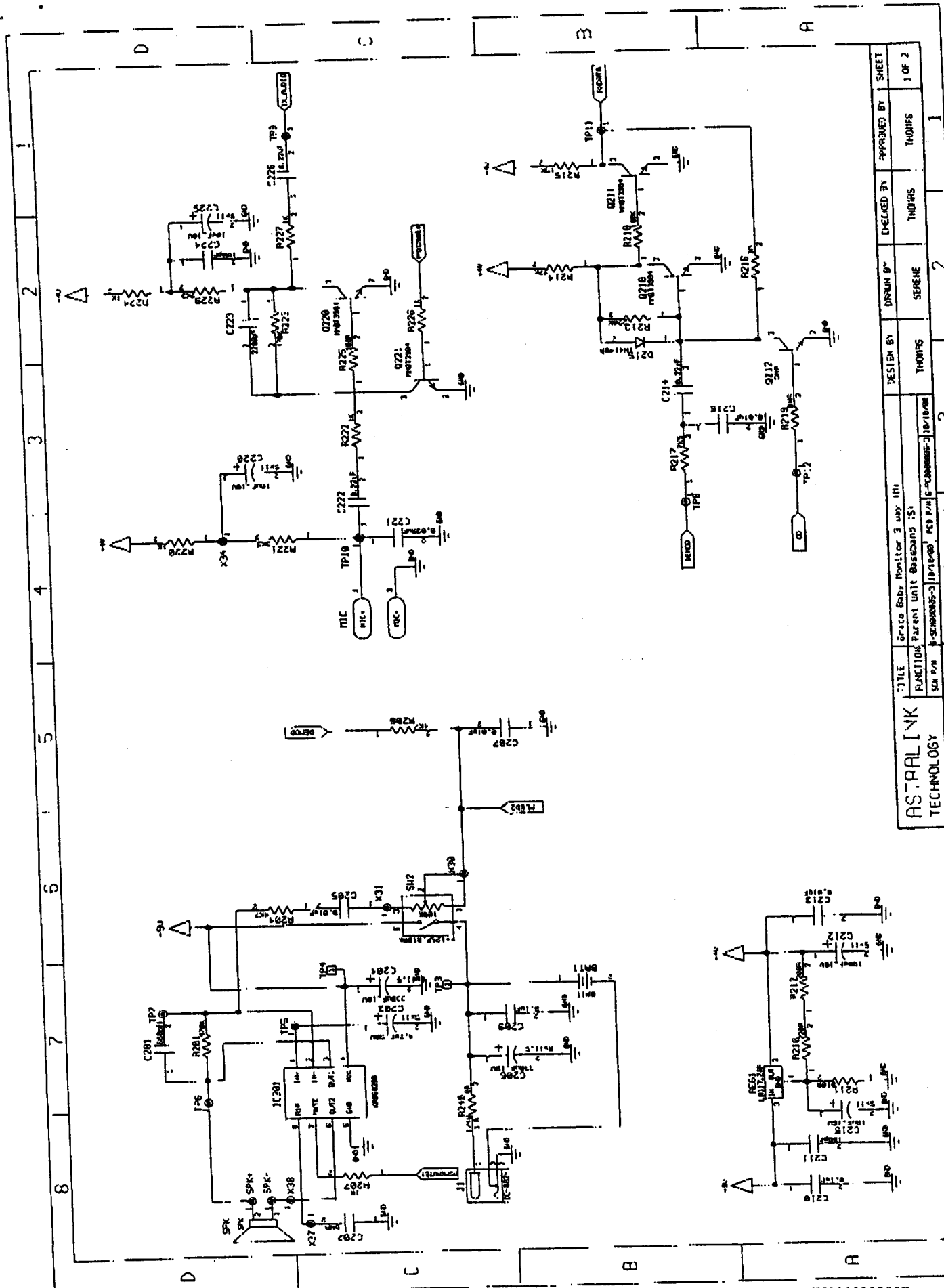
DESIGN BY	THOMAS
CHECKED BY	THOMAS
DRAWN BY	SERENE
APPROVED BY	THOMAS

DPX1	X8324HN
BABY	
X8324HN	





T: TLE		6-200 Baby Monitor 3 way (M)		DESIGN BY		THOMAS		CHECKED BY		THOMAS		APPROVED BY		THOMAS	
FUNCTION		Parent Unit (S) Microcontroller		THOMAS		SERENE		THOMAS		THOMAS		THOMAS		THOMAS	
RCH P/N		6-SCHMIDT-3107A(0)		R02 P/N		6-SCHMIDT-3107A(0)		R02 P/N		R02 P/N		R02 P/N		R02 P/N	
ASTRALINK TECHNOLOGY		10/18/00		3		4		5		6		7		8	



DESIGN BY	THORPE	DESIGNED BY	SEARHE	CHECKED BY	THORPE	APPROVED BY	THORPE
TITLE				Graco Babr Monitor 3 way IRI			
PROJECT				FUNCTIONAL PART UNIT Baseband (S)			
REV				S-REV-003-1/10/00 P23 P/15-C-000000-3/10/10/00			
AS:RALINK				TECHNOLOGY			
SHEET				1 OF 2			