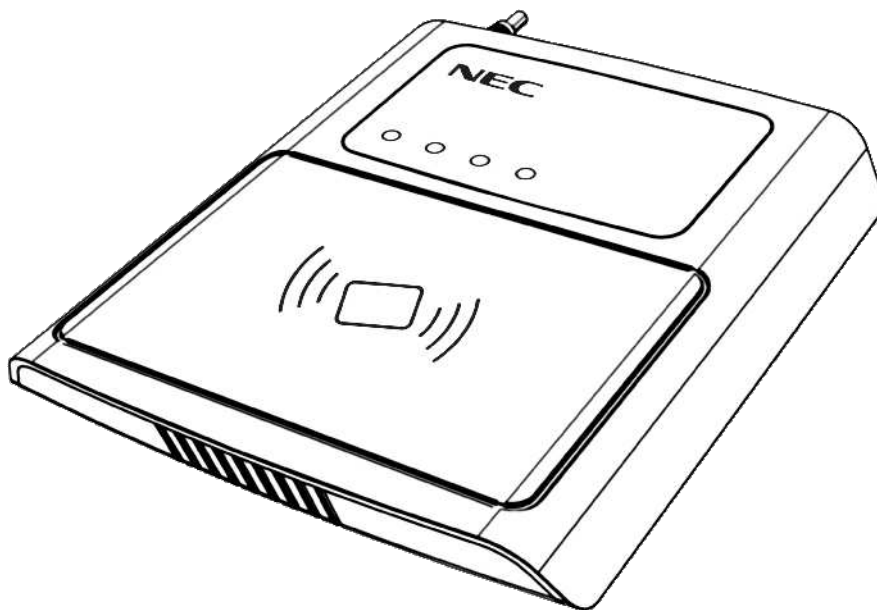


## NFC Reader Writer / Vetee

### Users manual



Thank you for purchasing the "Vetee".

Before using the product, please refer to this manual and make sure to use it correctly.

# Table of contents

For your Safety.....	6
1. Before Use .....	10
Components.....	10
Name of Each Part and their Functions .....	11
2. How to use .....	11
2. How to use .....	12
How to Power On/Off. ....	12
How to Use Contactless IC card reader. ....	12
How to Use Contactless IC card reader. ....	13
3. Cleaning .....	14
How to Clean the Product.....	14
4. Troubleshooting.....	15
5. Specification and Regulation .....	16

# Introduction

Store this manual in a place where it can be found whenever needed. This manual explains basic function and operation. This manual does not explain the operational business. For business use, please refer to the "Application Manual".

## Attention

- This manual must not be reprinted in part or whole without permission.
- The manual contents may be changed at anytime without notification.

### • Important Notes

- (1) This manual must not be reprinted in part or whole without consent.
- (2) This manual contents may be changed at anytime without notification.
- (3) We do our best to create this manual; however if there are any suspicious points or mistakes, description leakage, or other points, please contact us.
- (4) Our company will not be liable for any economic losses which occurred because of external factors such as breakdown, malfunction, natural disaster, trouble, power failure, etc.
- (5) The screen described in this manual may be different from the actual display.

### • Disposal Method

Please contact the retailer when ready to dispose of the product as it must be disposed of by the necessary regulated methods.

## Regarding Trademarks

- Other company names and product names written on this manual are the registered trademark of each company.

## **Federal Communication Commission Interference Statement**

This device complies with Part 15 of the FCC Rules. Operation is subject to the following two conditions: (1) This device may not cause harmful interference, and (2) this device must accept any interference received, including interference that may cause undesired operation.

This equipment has been tested and found to comply with the limits for a Class B digital device, pursuant to Part 15 of the FCC Rules. These limits are designed to provide reasonable protection against harmful interference in a residential installation. This equipment generates, uses and can radiate radio frequency energy and, if not installed and used in accordance with the instructions, may cause harmful interference to radio communications. However, there is no guarantee that interference will not occur in a particular installation. If this equipment does cause harmful interference to radio or television reception, which can be determined by turning the equipment off and on, the user is encouraged to try to correct the interference by one of the following measures:

- Reorient or relocate the receiving antenna.
- Increase the separation between the equipment and receiver.
- Connect the equipment into an outlet on a circuit different from that to which the receiver is connected.
- Consult the dealer or an experienced radio/TV technician for help.

FCC Caution: Any changes or modifications not expressly approved by the party responsible for compliance could void the user's authority to operate this equipment.

This transmitter must not be co-located or operating in conjunction with any other antenna or transmitter.

# Read This First

[About the symbols]

The symbols and the equipment illustration used in this manual are for safe use of the equipment, and to prevent any damage or harm to the customers and others. The symbols and their meanings are shown below. Read the manual after understanding the meanings of these symbols.

## Explanation of Symbols in This Manual



### Warning

Ignoring this display and incorrect handling may cause death or serious injury to a person.



### Caution

Ignoring this display and incorrect handling may cause a person to receive injury, or may cause damage to the equipment.

### Reminder

Ignoring this display and incorrect handling may cause performance deficiency or function disability to the equipment.

### Explanation of symbols



#### Prohibition

Indicates prohibition.



#### Do not bring close to flames

Indicates that the machine will catch fire when it is near flames.



#### Caution

Indicates danger.



#### Electric shock Risk

Indicates the possibility of electric shock when it is misused.



#### Smoke and Fire Risk

Indicates the probability of smoke or fire when it is handled incorrectly.



#### Overheating Risk

Indicates the possibility of failure caused by heat inside the equipment when it is handled incorrectly.



#### Explosion Risk

Indicates that the equipment will explode under certain conditions.



#### Mandatory Action

Indicates actions that must be taken

# For your Safety



---

## Away from Pacemaker



Use the equipment at least 22cm away from Implantable Cardiac Pacemaker.

---

## Do Not Use in Prohibited Areas



Do not use near a person who are using medical equipment such as cardiac pacemakers and hearing aids.

Wave output from the equipment is much lower comparing to mobile phone. The effects on medical electric equipment are very low, but please follow the instructions in each Medical Institution when using. Do not use this equipment when it is forbidden by Medical Institutions. Even where it is allowed by Medical Institutions turn the power off when there is any medical electric equipment used nearby. For more details, please contact respective Medical Institution.

---

## Do Not Use in Airplane



Onboard each airline company prohibits using radio and electric equipment according to flight conditions, this equipment belongs to the list of equipments that are not allowed to use. For more details, please contact the airline company.

---

## Do Not Disassemble, Repair or Modify



Do not disassemble or modify the equipment. It may cause fire or electric shock. Ask your nearest retailer or maintenance service for internal inspection or repair.



---

## Do Not Use When There is Smoke, Unusual Smell or Unusual Sound



If you are using the equipment while smoke or unusual smell coming out, it may cause fire or electric shock. Turn the power off immediately, and ask your nearest retailer or maintenance service. **DO NOT** repair the equipment by yourself because it is dangerous.



---

## Do Not Insert Wire or Metal



Do not insert objects such as wire or metal into the opening of the equipment (such as communication card slot, connector pins etc.). It may cause electric shock.

# For your Safety



---

## Keep Away from Fire



Do not use the equipment near flammable gas and flammable material. It may cause fire or explosion.

---

## Do Not Touch with Wet Hands



Do not replace the Battery Pack or turn the power on/off or plug/unplug the AC Adapter or Power Cable with wet hands. It may cause electrical shock.

---

## Regarding Disposal



When disposing the product, do not incinerate or throw into fire. It may burn intensely and it is dangerous.

Contact the retailer when ready to dispose of the product as it must be disposed under the necessary regulated methods.

# For your Safety

## Caution

### Do Not Insert Water or Foreign Objects into the Equipment



Do not insert liquid (such as water) or foreign objects (such as pins or paper clips) into the equipment. It may cause fire, electric shock or breakdown. When water or foreign objects are inserted, turn the power off and contact your retailer. Do not disassemble.



### Do Not Place the Equipment in Dusty/Humid Area



Do not use this equipment in dusty or humid places (such as near water heater). It may cause fire.

### Do Not Bend or Twist the Cables



- Do not bend or twist the cables of the equipment. A broken cable can cause fire or electric shock.
- When the cable is damaged, do not use vinyl tape to repair. When damaged, quickly replace the cable with the same type of cable.



### Do Not Expose Directly to the Sunlight



Do not leave the equipment or the power cable directly under the sunlight or near appliances that generate heat. When the internal temperature rises, the equipment may not work correctly, and it also may cause fire.

### Do Not Place Near Appliances that Generate Radio Waves



Do not place the equipment near appliances that generate radio waves such as security equipment. It may cause malfunction

## Caution Using Contactless IC card Reader

### Do Not Apply Strong shock



Applying strong shock or dropping items (such as canned goods and bottles) on Contactless IC card reader's reading surface may damage the equipment.

### Do Not Pour Water



Do not pour water on the reading surface of Contactless IC card reader. Although the equipment comes with water resistant, when it is under a lot of water, it will cause electric shock and breakdown.



# For your Safety

## Reminder

### Safety Precautions

- **Do Not Use the Equipment in a Place where the Temperature change is Extreme**

Temperature range of this product is 0 - 40 degrees (humidity 20 - 80% RH) with non-condense condition. Do not place this equipment where temperature is lower or higher than the range and where there is high humidity, etc.

- **Do Not Drop or Apply shock**

The equipment is moveable and can endure normal vibration but be careful not to subject it to strong vibration and to shock by dropping.

- **Never Disassemble or Modify**

The equipment has high precision parts and they are adjusted carefully, so please avoid opening the Main Unit yourself.

- **Turn the power off a host before unplugging a USB cable from a host**

The power must be turned OFF a host's power supply before unplugging a USB cable.

If the mentioned action is not done while the equipment is turned on, it may cause malfunction or breakdown.

- **Cleaning**

When the surface of the equipment gets dirty, wipe with a dry lint-free cloth. Turn the power OFF and unplug the power cable from the socket when cleaning. If the mentioned action is done while the equipment is turned on, it may cause malfunction or breakdown

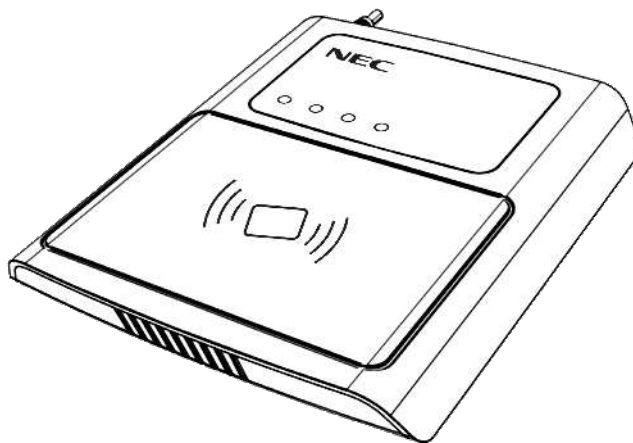
### Notes for Disposal

When disposing of this equipment, please follow local regulations. For details, ask your retailer or contact your local government.

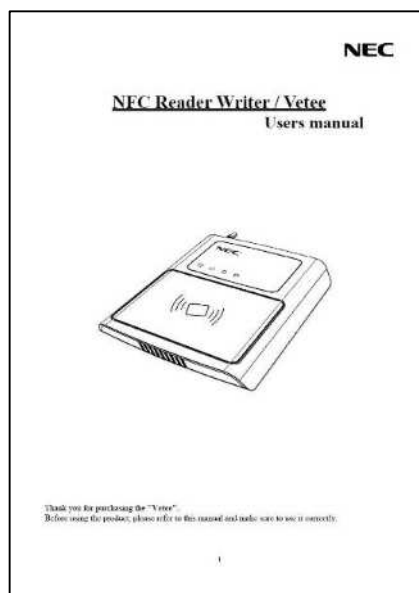
# 1. Before Use

## ■ Components

Refer to the check list below, and confirm that all the components are enclosed.



- Main Unit

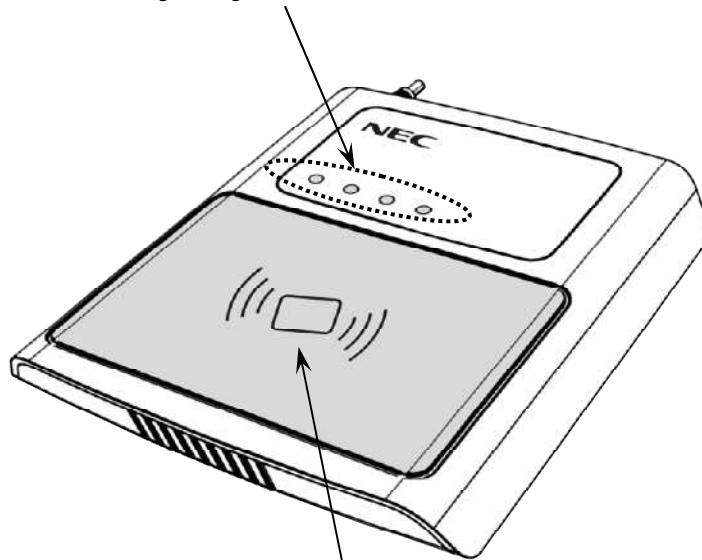


- Users Manual (This book)

Please contact the retailer if there are any components missing or damaged.

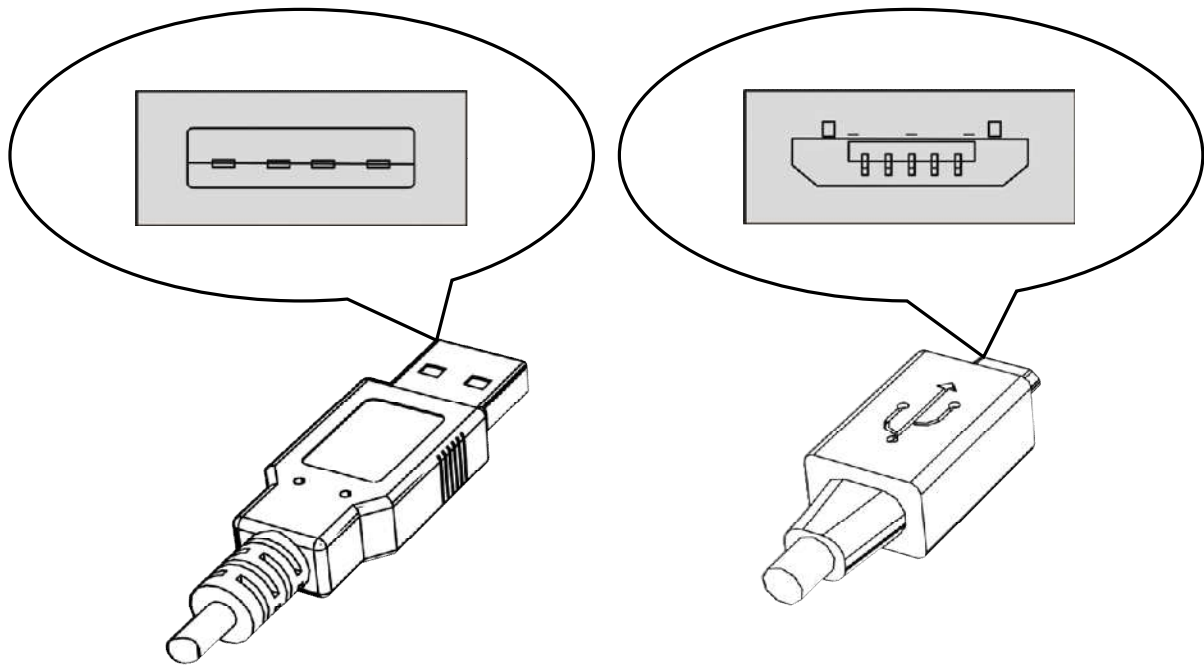
## Name of Each Part and their Functions

4 Green LED : The green light indicates when read Contactless IC card.



Reads contactless IC card by holding the card above it.

This terminal has two types as below.



USB2.0 Standard A plug

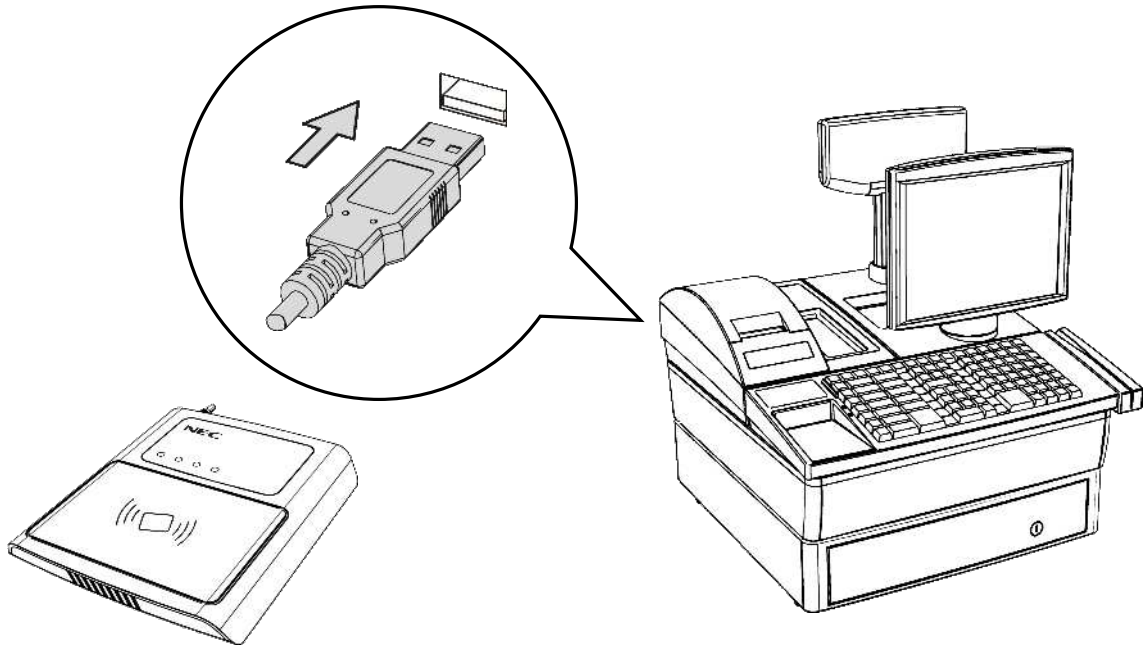
USB2.0 MicroB plug

# 2. How to use

## ■ How to Power On/Off.

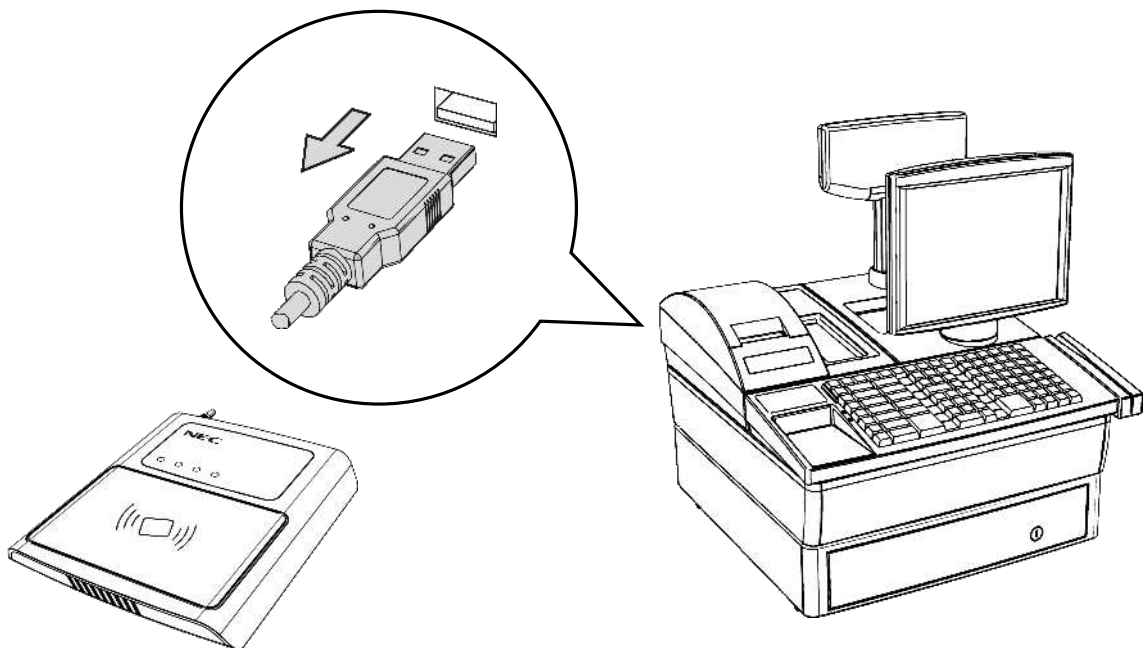
### 1. Power On

Please turn on a host's power supply after connecting a USB cable to a host.



### 2. Power Off

Please turn off a host's power supply before disconnecting a USB cable to a host.



## ■ How to Use Contactless IC card reader.

This terminal can be used with Contactless IC Cards and mobile phones equipped with the Contactless IC Card Function.

### ● Contactless IC Card

Hold the card to match the center of the card with the center of the Contactless IC card reader.



### Reminder

- Take out the Contactless IC Card if it is in a wallet when using.
- The Contactless IC Card cannot be read when placed upright.
- Do not put the IC Card on the top of another IC Card when using.
- Keep the card on the equipment until the transaction is completed.
- Do not press the Contactless IC Card strongly on the equipment.

# 3 . Cleaning

## ■ How to Clean the Product

Main Unit cleaning methods and important notes.

### ●Main Unit

For a daily cleaning, use a soft, dry and clean cloth to wipe stains off.

For stubborn stains, use a soft wet cloth, well squeezed, to wipe stains off.

### **Reminder**

- Do not wipe off with a volatility organic solvent (benzene, thinner, etc.).The use of such materials may cause deformation, discoloration, and breakdown to the equipment.
- Turn the power off before cleaning.

# 4 . Troubleshooting

If you experience any trouble, refer to the solutions below.

<b>Troubles</b>	<b>Check point</b>	<b>Page</b>
The power does not turn on.	Check the USB cable connection.	11
Contactless IC Cards or mobile phones equipped with the Contactless IC Card Function cannot be read.	Are you holding the card at the right location?	12

# 5 . Specification and Regulation

Product code	VRW-01A	VRW-01B	Remarks
Host Interface	USB2.0(StandardA)	USB2.0(MicroB)	Full speed
Indicator	4 green LED		
Power Supply	From USB		
Dimensions	116.6(W) x 130.7(D) x 17.4(H) mm		
Weight	Around 149.5 g		
Operation Environment	Temperature	From 0 to 50 [deg]	
	Humidity	From 30 to 80 [%]	
Storage Environment	Temperature	From -20 to 70 [deg]	
	Humidity	From 10 to 90 [%]	



**NFC Reader Writer / Vetee**

User's Manual (basic section)

1<sup>st</sup> edition, published in Jun, 2012

NEC Corporation

(81)3-3454-1111 (representative)

Shiba 5-7-1, Minato-Ku, Tokyo

Zip code: 108-0014

**NEC Corporation**