



Conference Microphone Bases

User Guide

BC-100



BC-100T



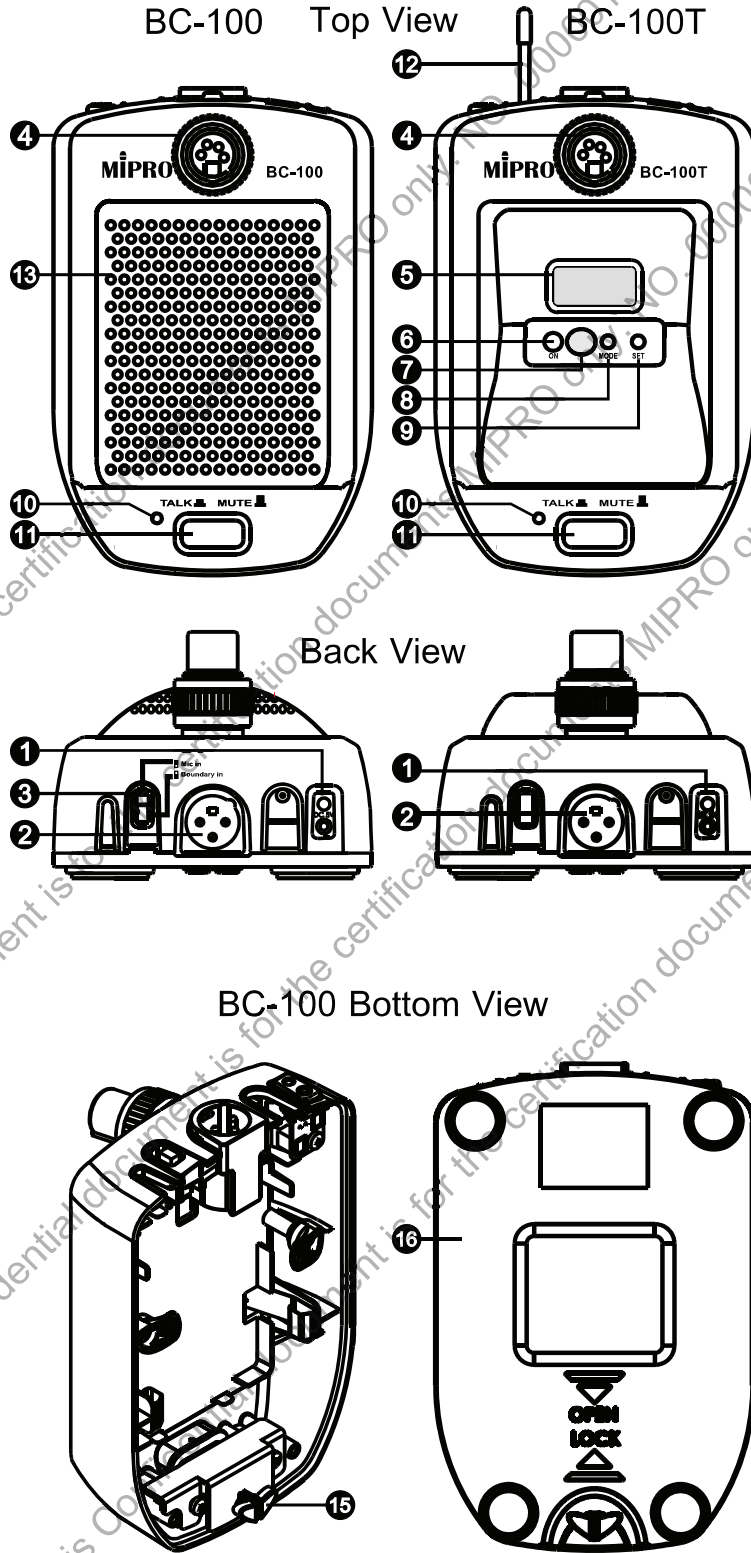
BC-24T



BC-58T



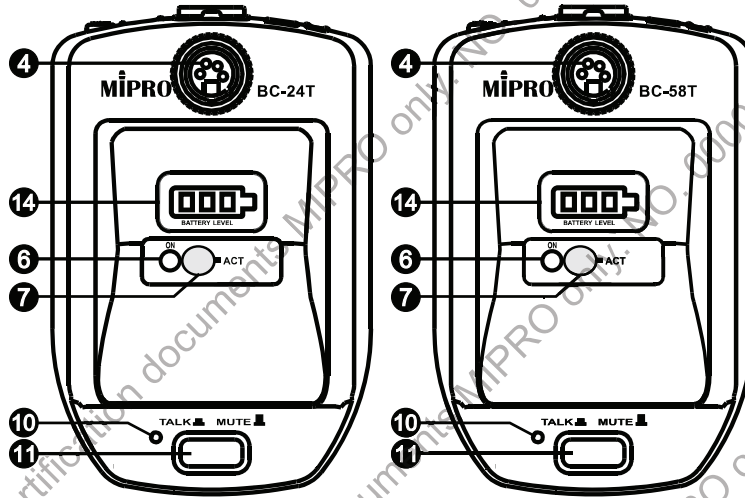
I. Part Names



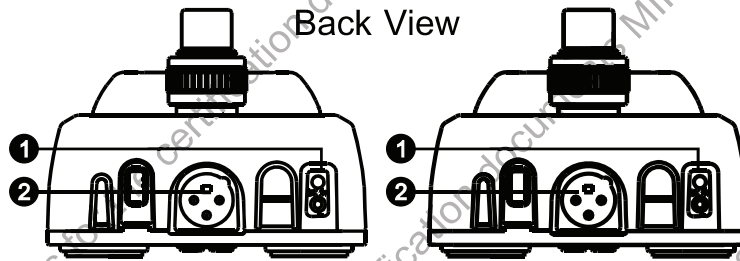
Conference Microphone Bases

BC-24T Top View

BC-58T

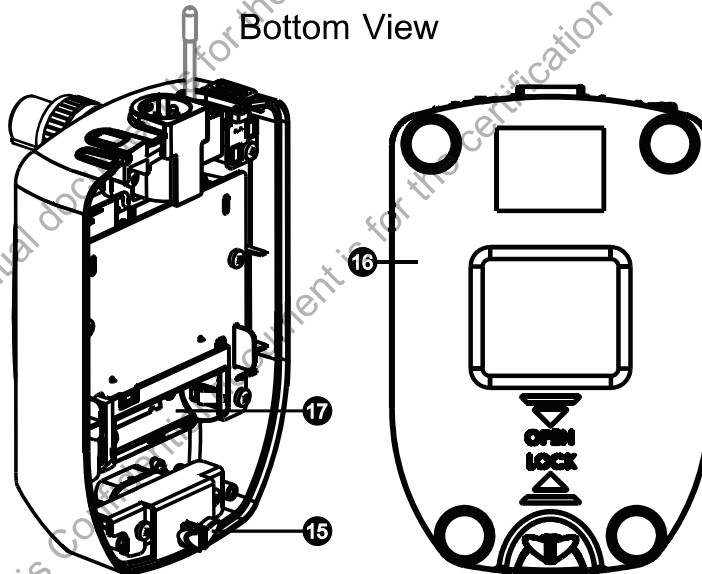


Back View



BC-100T/ BC-24T/ BC-58T

Bottom View

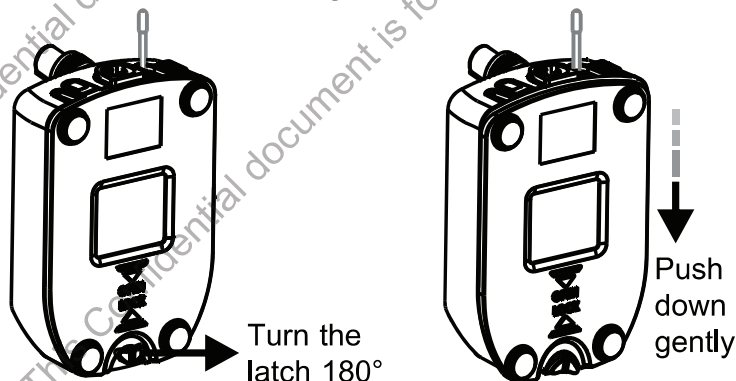


Conference Microphone Bases

- ❶ Charging Connector & Indicators
- ❷ Balanced 3 pin XLR Connector
- ❸ Microphone Selection Switch
- ❹ Gooseneck Microphone Connector (4 pin)
- ❺ LCD Panel
- ❻ Power Button
- ❼ ACT Sync Window
- ❽ MODE Button
- ❾ SET Button
- ❿ TALK Indicator
- ⓫ TALK or MUTE Button
- ⓬ Transmitting Antenna
- ⓭ Boundary Microphone Grill
- ⓮ Battery Level Panel
- ⓯ Base Cover Latch
- ⓰ Base Cover
- ⓱ Battery Compartment

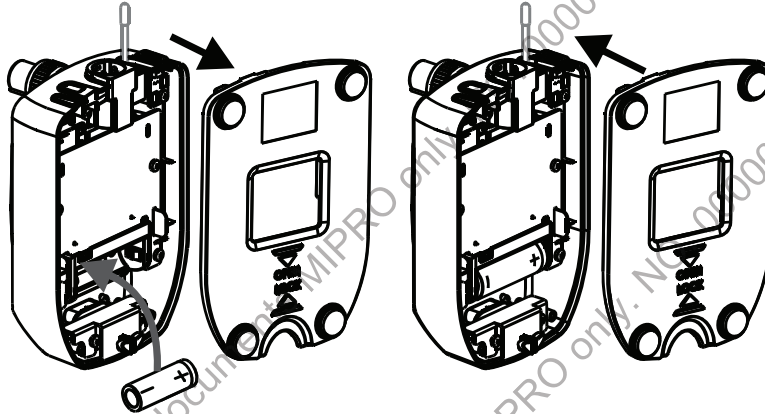
II. Battery Insertion

1. Turn Base Cover Latch ❶ 180° to loosen the base cover. Push and slide down Base Cover ❷ according.

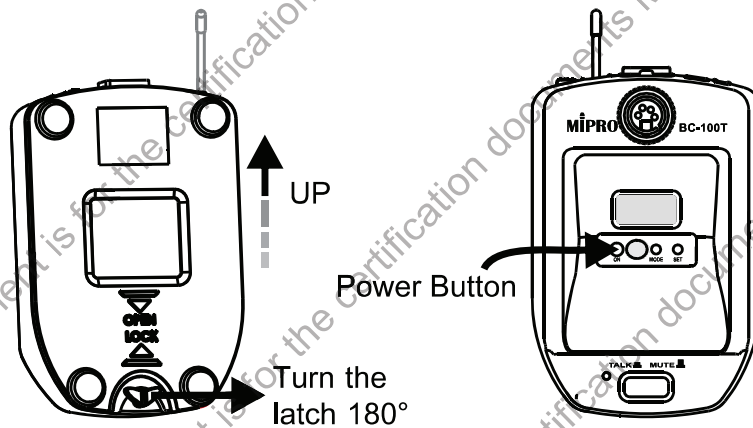


Conference Microphone Bases

2. Insert a charged 18500 type lithium battery according to its correct polarity.



3. Align and push up the Base Cover 16 and turn the latch 15 180° for secured closure. Push and hold Power Button 6 for 2 second to power on.

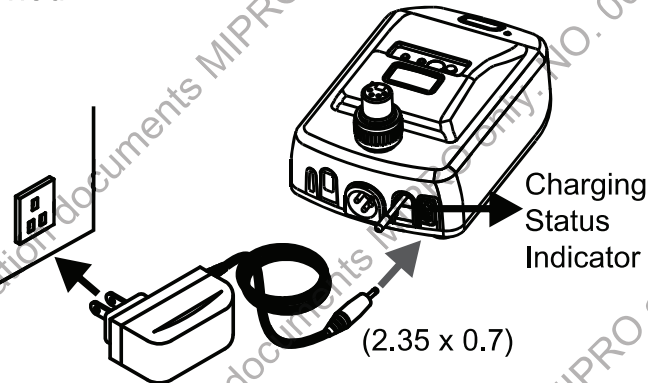


III. How to Charge

1. Plug the charger into the Charging Connector 1 of the device and an AC outlet.
2. Charging (still red indicator).
3. Fully charged (still green indicator).
4. If the indicator doesn't glow after both ends are plugged in, check the rechargeable battery is inserted correctly.

Conference Microphone Bases

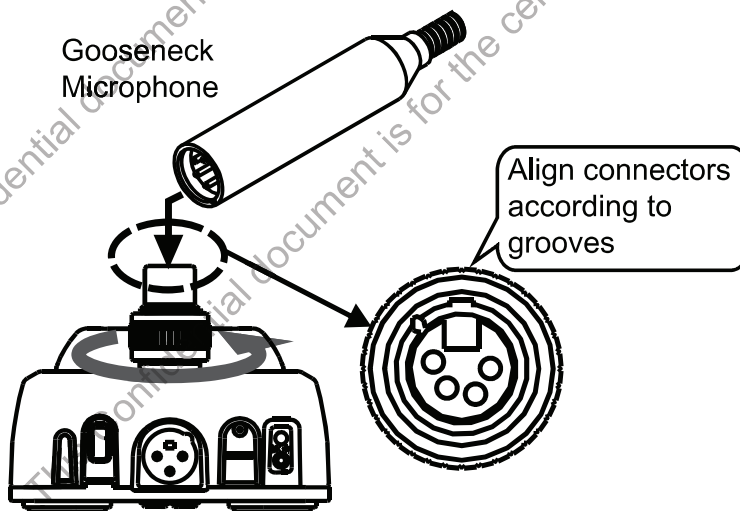
5. Be sure to use the supplied charger, and the input voltage should not be over the specified value.
6. Caution: Turn off the power when the device is not in use. Remove the battery if the device will not be used for an extended period.



VI. BC-24T/ BC-58T/ BC-100T Operating Instructions

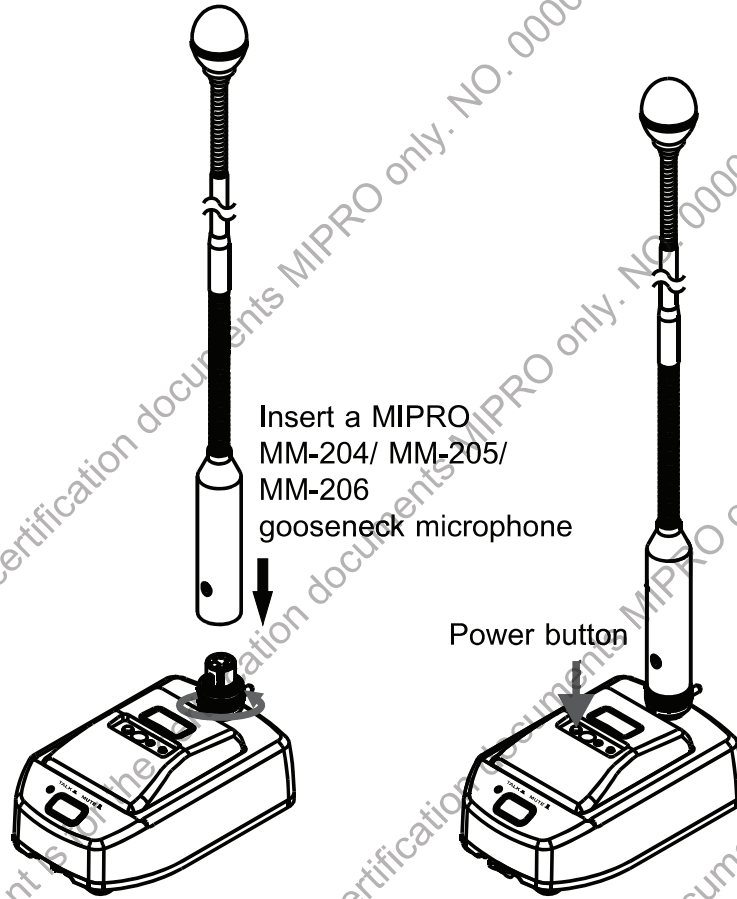
1. Wireless Installation:

- (A) Insert a MIPRO gooseneck microphone before power on to avoid potential noise.
- (B) Align the connectors and insert the microphone properly and secure tightly by turning counterclockwise.
- (C) Turn clockwise to loosen the microphone.



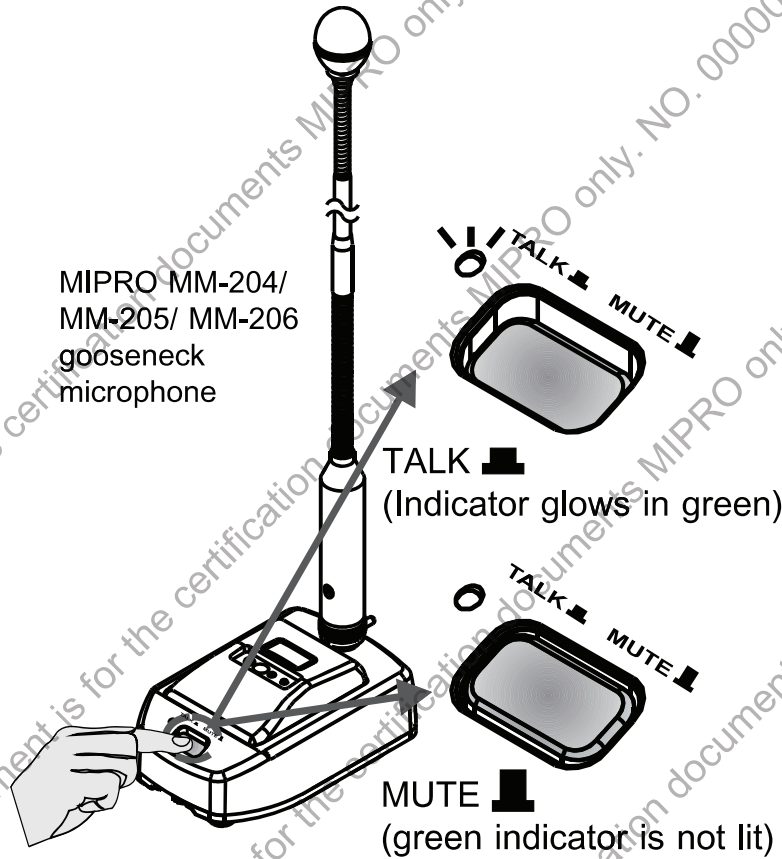
Conference Microphone Bases

- (D) Insert the gooseneck microphone into the connector, and then power on.



Conference Microphone Bases

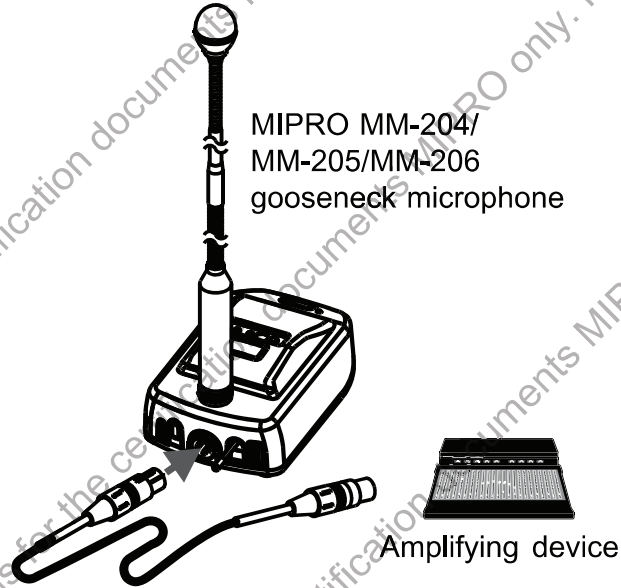
- (E) Power on and press down the TALK button to talk (recessed with a green indicator).
- (F) To mute, press the MUTE button. After use, be sure to turn off the power. Remove the battery if the device won't be used for an extended period.



Conference Microphone Bases

2. Wired Installation:

- (A) Press the TALK button to speak. The indicator glows in green. Press the MUTE button to mute. (Same operation as the wireless installation.)
- (B) Connect the base and the amplifying device with an XLR to XLR cable (not supplied) provided phantom power XLR to XLR cable. Remove the cable if the device won't be used for an extended period.

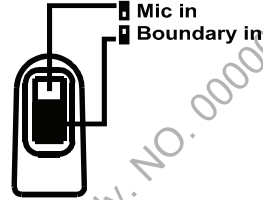


V. BC-100 Operating Instructions

1. Wired Boundary Microphone:

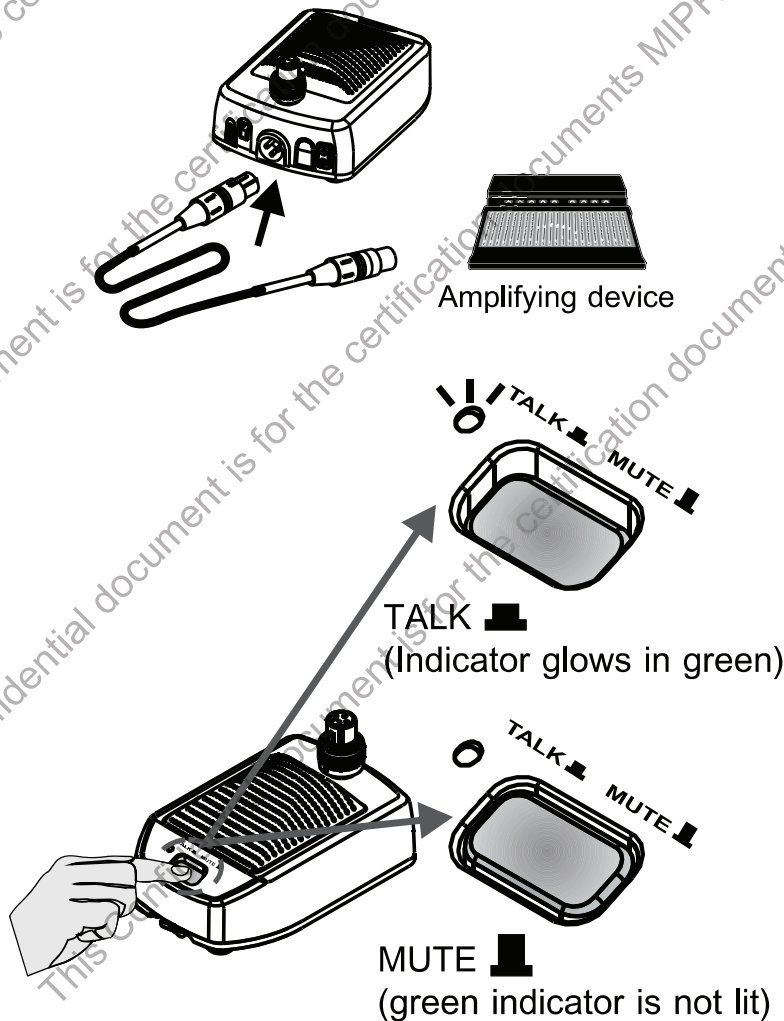
(A) Plug one end of an XLR to XLR cable into the XLR balanced connector on the back panel.

(B) Switch the Microphone Selection Switch to the "Boundary in" position.



(C) Press the TALK button to speak. The indicator glows in green. Press the MUTE button to mute.

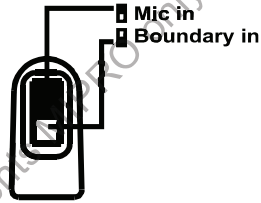
(D) Connect the cable to the XLR connector of the amplifier/mixer which provides phantom power. Disconnect if the XLR connector will not be used for an extended period.



Conference Microphone Bases

2. Wired Installation:

- (A) Plug one end of an XLR to XLR cable into the XLR balanced connector on the back panel.
- (B) Switch the Microphone Selection Switch to "Mic in" position.



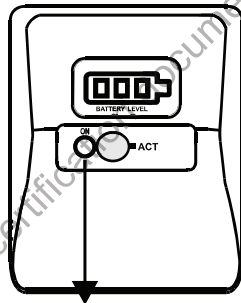
- (C) Press the TALK button to speak. The indicator glows in green. Press the MUTE button to mute. (Same operation as the boundary microphone.)
- (D) Connect the cable to the XLR connector of the amplifier/mixer which provides phantom power. Disconnect if the XLR connector will not be used for an extended period.



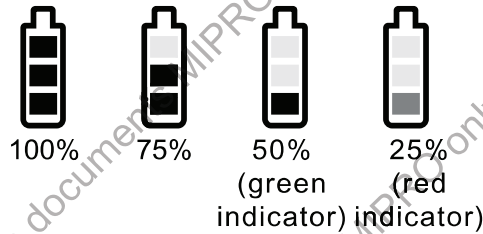
VI. Operating Instructions

1. BC-24T/ BC-58T:

- (A) Power On/Off: Press & hold the power button for two seconds to power on or power off the device. The LED lights on after the device is powered on.
- (B) Battery level indicators: Recommend charging when single red indicator remains. Power shutdown automatically when battery voltage is too low.

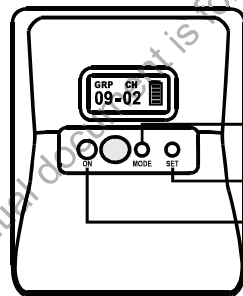


Power Button



2. BC-100T :

- (A) Power On/Off:
 - (1) Press and hold the power button for two seconds to power on or power off the device.
 - (2) The LCD screen display OFF... during powering off.



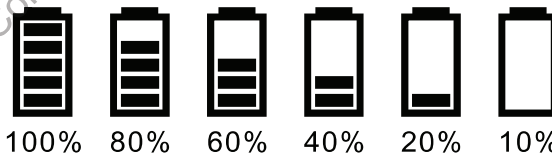
MODE

SET

Power Button



- (B) Battery level indicators: Recommend charging once level falls to 10% and the screen flashes. Device will power off automatically with an OFF message once power level falls too low.



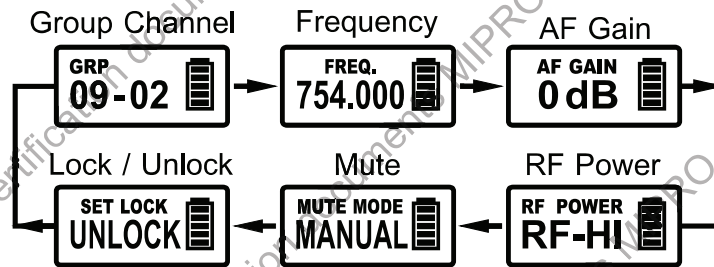
Conference Microphone Bases

(C) LCD Screen:



(D) Press MODE button **8** to access all the functions.

(E) Press SET button **9** once to denote a change. Existing parameter starts flashing. Press SET button second time to change the programmed parameters.



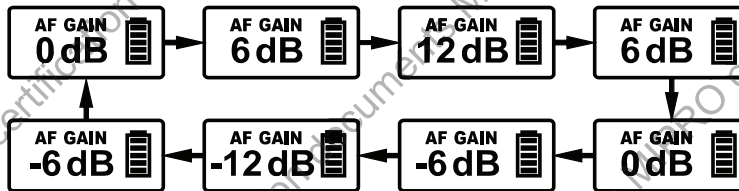
(F) Group (GRP) / Channel (CH) / Frequency (FREQ.) are synced from receiver and cannot be changed.



Conference Microphone Bases

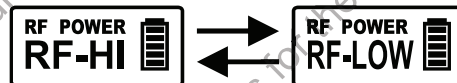
(G) AF Gain Setting:

- (1) AF Gain can be changed from 12dB ~ -12dB, in 6dB steps.
- (2) Press MODE button to access AF GAIN parameter. Press SET button to change. To save, press MODE button or until flashing stops.
- (3) The higher the AF gain is, the lower the input signal of dynamic range will be and it will increase noise and feedback chances.
- (4) Set AF Gain to -12dB for guitar.
- (5) 0dB is the factory default setting.



(H) RF Power Setting:

- (1) RF Power can be changed to RF-HI or RF-LOW.
- (2) Press MODE button to access RF POWER parameter. Press SET button, the parameters start flashing. Press SET button again, the parameter will change circularly. Press MODE button to save or the parameter saves automatically when flashing stops.



Conference Microphone Bases

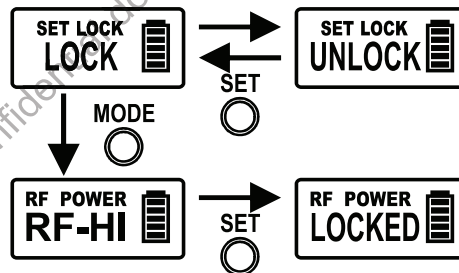
(I) MUTE MODE Setting:

- (1) MUTE MODE can be changed to MANUAL or DISABLE.
- (2) Press MODE button to access MUTE MODE parameter. Press SET button, the parameters start flashing. Press SET button again, the parameter will change circularly. Press MODE button to save or the parameter saves automatically when flashing stops.
- (3) MANUAL mode indicates MUTE button can be muted.
- (4) DISABLE mode indicates MUTE button cannot be muted.



(J) LOCK Setting:

- (1) LOCK can be changed to LOCK or UNLOCK.
- (2) Press MODE button to access LOCK parameter. Press SET button, the parameters start flashing. Press SET button again, the parameter will change circularly. Press MODE button to save or the parameter saves automatically when flashing stops.
- (3) LOCKED mode indicates all the parameters cannot be changed and power button cannot work. Press SET button and the screen displays LOCKED.
- (4) Repeat same procedures to change back to UNLOCK mode. UNLOCK mode indicates power is operational and the parameters can be changed.



Conference Microphone Bases

(K) Error codes:

- (1) ERR no01→Channel wasn't programmed or internal data error.
- (2) ERR no02→Testing only.
- (3) ERR no03→The set frequency exceeds the upper band. The microphone frequency will not be changed but it can be operated as long as the power switch is turned on again.
- (4) ERR no04→The set frequency exceeds the lower band. The microphone frequency will not be changed but it can be operated as long as the power switch is turned on again.

(L) GROUP CHANNEL are internal programmed channels.

(M) CHANNEL displays only (GROUP is not shown) indicates a user-defined frequency synced from receiver and it only can be changed via PC.

VII. Notes

1. Refer to the actual product in the event of product description discrepancy.
2. Frequency range and maximum deviation comply with the regulations of different countries.

Conference Microphone Bases

Federal Communication Commission Interference Statement

This equipment has been tested and found to comply with the limits for a Class B digital device, pursuant to Part 15 of the FCC Rules. These limits are designed to provide reasonable protection against harmful interference in a residential installation. This equipment generates, uses and can radiate radio frequency energy and, if not installed and used in accordance with the instructions, may cause harmful interference to radio communications. However, there is no guarantee that interference will not occur in a particular installation. If this equipment does cause harmful interference to radio or television reception, which can be determined by turning the equipment off and on, the user is encouraged to try to correct the interference by one of the following measures:

- Reorient or relocate the receiving antenna.
- Increase the separation between the equipment and receiver.
- Connect the equipment into an outlet on a circuit different from that to which the receiver is connected.
- Consult the dealer or an experienced radio/TV technician for help.

FCC Caution: To assure continued compliance, any changes or modifications not expressly approved by the party responsible for compliance could void the user's authority to operate this equipment. (Example - use only shielded interface cables when connecting to computer or peripheral devices).

FCC Radiation Exposure Statement

This equipment complies with FCC RF radiation exposure limits set forth for an uncontrolled environment. This equipment should be installed and operated with a minimum distance of 0.5cm between the radiator and your body.

This transmitter must not be co-located or operating in conjunction with any other antenna or transmitter.

Conference Microphone Bases

The antennas used for this transmitter must be installed to provide a separation distance of at least 0.5cm from all persons and must not be co-located or operating in conjunction with any other antenna or transmitter.

This device complies with Part 15 of the FCC Rules.

Operation is subject to the following two conditions:

- (1) This device may not cause harmful interference, and
- (2) This device must accept any interference received, including interference that may cause undesired operation.

IC

Industry Canada Statement

This device complies with Industry Canada RSS-247 standard. Operation is subject to the following two conditions: (1) this device may not cause interference, and (2) this device must accept any interference, including interference that may cause undesired operation of the device.

Le présent appareil est conforme aux CNR d'Industrie Canada applicables aux appareils radio exempts de licence. L'exploitation est autorisée aux deux conditions suivantes: (1) l'appareil ne doit pas produire de brouillage, et (2) l'utilisateur de l'appareil doit accepter tout brouillage radioélectrique subi, même si le brouillage est susceptible d'en compromettre le fonctionnement.

IC Radiation Exposure Statement:

This equipment complies with IC RSS-102 radiation exposure limit set forth for an uncontrolled environment. This equipment should be installed and operated with minimum distance 2 cm between the radiator and your body.

Cet équipement est conforme aux CNR-102 d'Industrie Canada. Cet équipement doit être installé et utilisé avec une distance minimale de 2 centimètres entre le radiateur et votre corps. Cet émetteur ne doit pas être co-localisées ou opérant en conjonction avec autre antenne ou émetteur. Les antennes utilisées pour cet

émetteur doivent être installés et fournir une distance de séparation d'au moins 2 centimètre de toute personne et doit pas être co-située ni fonctionner en conjonction avec une autre antenne ou émetteur.

Conference Microphone Bases

Disposal



2008-08-19

Dispose of any unusable devices or batteries responsibly and in accordance with any applicable regulations.

Disposing of used batteries with domestic waste is to be avoided!

Batteries / NiCad cells often contain heavy metals such as cadmium(Cd), mercury(Hg) and lead(Pb) that makes them unsuitable for disposal with domestic waste. You may return spent batteries/ accumulators free of charge to recycling centres or anywhere else batteries/accumulators are sold.

By doing so, you contribute to the conservation of our environment!

Confidential document is for the certification documents MIPRO only. NO. 0000010555

MIPRO[®]
MICROPHONE PROFESSIONALS



All rights reserved. Do not copy or forward without prior approvals of MIPRO. Specifications and design subject to change without notice. YM 021/12

MIPRO Electronics Co., Ltd

Headquarters: No. 814, Beigang Rd., Chiayi City 600079, Taiwan
Tel : +886.5.238.0809 Fax : +886.5.238.0803
www.mipro.com.tw mipro@mipro.com.tw

