

Disposal

Dispose the unusable device according to valid regulations.

Disposal of spent batteries/accumulators

You are required by law to return all spent batteries. **Disposing of used batteries with domestic waste is prohibited!**



2005-08-15

Batteries / NiCad cells containing toxins are marked by accompanying symbols that refer to the prohibition of disposal with domestic waste. The designations for the decisive heavy metals are: **Cd**=cadmium, **Hg**=mercury, **Pb**=lead. You may return spent batteries/accumulators free of charge to the recycling centres, our outlets or anywhere else where batteries/accumulators are sold.

By doing so, you fulfil the legal requirements and contribute to the conservation of our environment!

MIPRO Electronics Co., Ltd.

Head office: 814, Pei-Kang Road, Chiayi, 60096, Taiwan.

Taipei office: 5, Lane 118, Sung-teh Road, 11075, Taipei, Taiwan.

Web-http: //www.mipro.com.tw

E-mail: mipro@mipro.com.tw

FC CE



MIPRO

ACT-5T Wireless Microphone

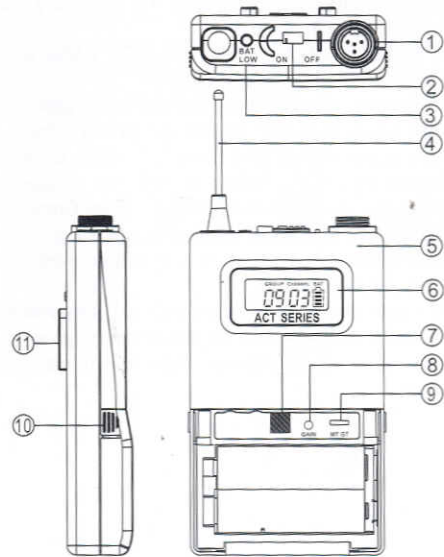
Instruction Manual



Bodypack Transmitter

Finely crafted and ergonomically designed ACT-5T , LCD panel, and high-efficient transmitting circuit design with low spurious showcases MIPRO's professional style.

1. PARTS NAMES AND FUNCTIONS

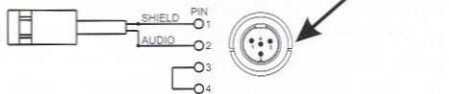


(Fig.1)

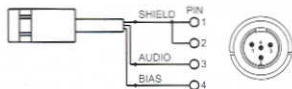
1. AF Input Jack: Connects to a lavalier or headset microphone. (See 5 ways of connection on AF Input Connections)
2. Power Switch: Turns power "on" and "off" of the transmitter.

3. AF INPUT CONNECTIONS

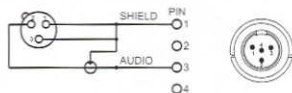
- (1) 2-Wire Electret condenser microphone Capsule



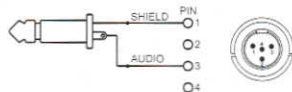
- (2) 3-Wire Electret condenser microphone Capsule



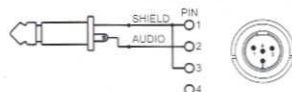
- (3) Dynamic Microphone



- (4) Electric Guitar



- (5) Line-in (Impedance 8KΩ ATT. 10dB)



4. FUNCTIONS OF LCD DISPLAY



1. ERR Message: When "ERR" appears, it means "Operation Error". Please refer to the following codes to diagnose which error you are experiencing.

ERR no01→EEPROM is not being programmed or internal data error.

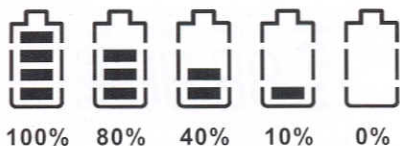
ERR no02→For testing only.

ERR no03→The frequency you are about to program into the system exceeds microphone's upper limit. (At this time, microphone is still operatable and the frequency remains unchanged. To clear the "ERR" message in LCD display, simply turn off the power and switch back on.)

ERR no04→The frequency you are about to program into the system is below microphone's frequency lower limit. (At this time, microphone is still operatable and the frequency remains unchanged. To clear the "ERR" message in LCD display, simply turn off the power and switch back on.)

2. "Group" & "Channel" : When both items are shown, they indicate that the user is currently using the pre-programmed frequency in the receiver.
3. "Channel" Only : If "Channel" is the only item shown in the display, it indicates the user is using the personalized frequency. (Such frequency can only be programmed via MIPRO's ACT Software and available on ACT-707MC only.)

4. Battery Status:



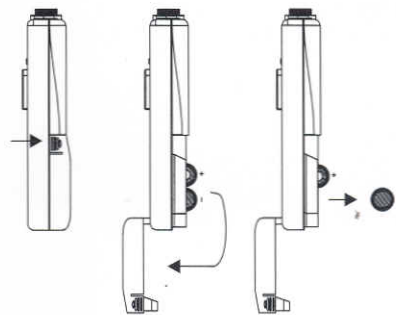
Battery Status: When the battery has less than 10% power remaining, batteries must be replaced. If undervoltage continues, LCD will show "PoFF" and shut down the system to avoid battery being over-discharged.

5. Switch Off:

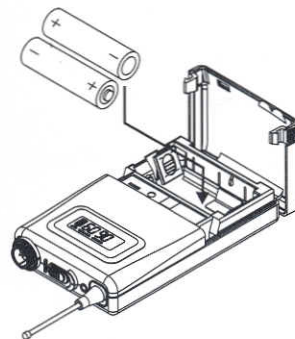
When switch the power knob to "Off" position, LCD will show "PoFF" first. Then, the system is completely shut down and no further message will be displayed.

5. BATTERY INSTALLATION

1. Pushing down both snap locks on the sides of battery cover to open battery cover. Take out the batteries. Fig.(3).
2. Insert two 1.5(AA) batteries into the battery compartment according to the correct polarity as shown in Fig. (4). Then push up to close the battery compartment as shown in Fig. (4).



(Fig.3)



(Fig.4)

Bodypack Transmitter

PS: When the microphone is not in use:
Make sure the power of the microphone is off. If the microphone will not be used for some time, please remove the batteries from the battery compartment to avoid battery leakage and result in damaged battery springs and circuit. If a rechargeable battery was used, take it out and recharge it.

THIS DEVICE COMPLIES WITH PART 74 OF THE FCC RULES AND RSS-123 Issue1 OF CANADA.

OPERATION IS SUBJECT TO THE FOLLOWING TWO CONDITIONS: (1) This device may not cause interference. (2) This device must accept any interference, including interference that may cause undesired operation of the device. This equipment complies with FCC RF radiation exposure limits set forth for an uncontrolled environment.