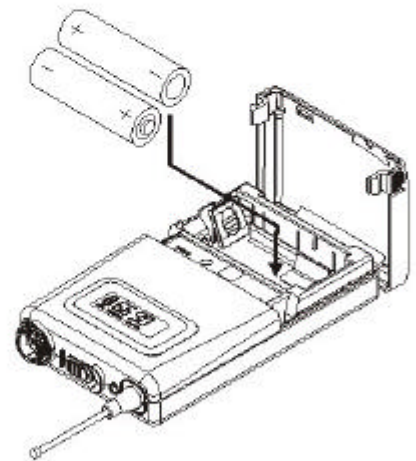


LCD DISPLAY
WIRELESS MICROPHONE SYSTEM

ACT-707 T

Instruction Manual



MIPRO Electronics Co., Ltd.

Head office: 814, Pei-Kang Road, Chiayi, 600, Taiwan

Taipei office: 5, Lane 118, Sung-teh Road, Taipei, 110, Taiwan

Web: <http://www.mipro.com.tw> E-mail: mipro@mipro.com.tw

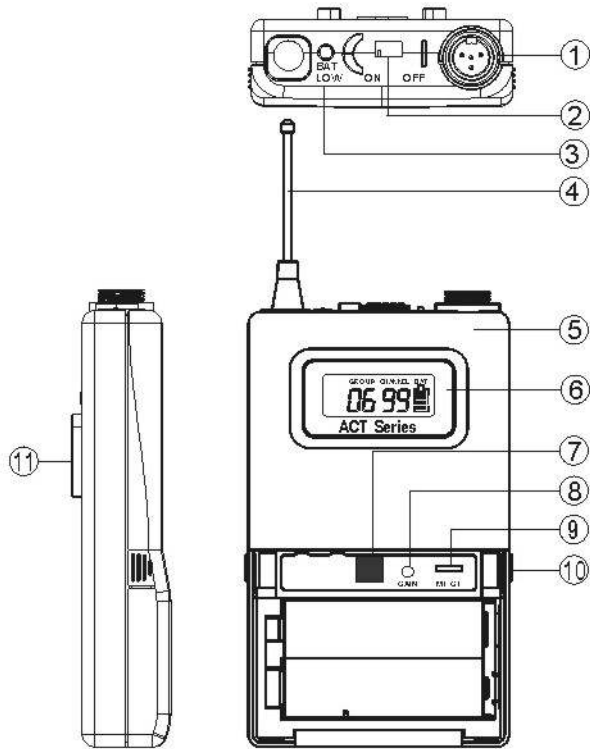


2CE097

MIPRO

BELT PACK TRANSMITTER

1. PARTS NAME AND FUNCTIONS



(Fig.1)

1. AF Input Jack: Connects to either lavalier or headset microphone. (See 5 ways of connection on AF Input Connections)
2. Power Switch: Switch to ON position for operation. Switch to OFF position when not in use.

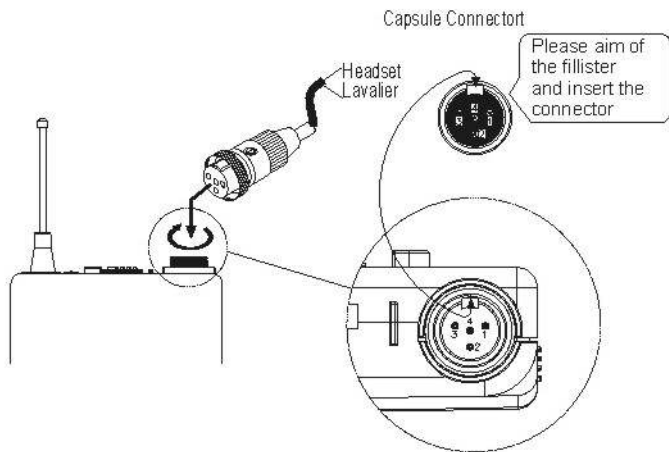
BELT PACK TRANSMITTER

3. Battery Status Indicator: Indicates the power on / off and battery status.
(a) When power switch is turned on: The LED indicator flashes briefly, indicating normal battery status.
(b) When RED light illuminates at either power on or during usage: The battery level is low, therefore, a new battery replacement is thus necessary.
4. Transmitting Antenna: $1/4 \lambda$ transmitting antenna.
5. Transmitter Housing: Packages the PCB and battery.
6. Functions of LCD Display
7. Act Signal Receptor
8. Gain Control: Adjusts the desirous input gain.
9. GT/MT Level Select Switch: Switch GT position for electric guitar usage and "Line In". Gain Control is irrelevant for "GT". Switch to "MT" for condenser microphone or wired microphone. Gain Control works in "MT" for input sensitivity adjusting.
10. Battery Compartment and Cover: Accommodates two 1.5V(AA) batteries.
11. Detachable Belt Clip: Pull slightly towards you and push down according to the arrow direction to release the belt clip.

BELT PACK TRANSMITTER

2. OPERATING INSTRUCTIONS

1. To adjust GT/MT Switch (10), and Gain Control (8), simply push down both snap locks on the sides of battery cover and flip it backwards to expose the adjustment panel.
2. Before power on, ascertain if same channel (7) was set up for both receiver and microphone. If not adjust to same channel accordingly.
3. The LED indicator flashes briefly when power on indicating normal battery status. If no flash occurs it has either no battery, the battery is drained or installed incorrectly. Change accordingly.
4. Plug the microphone connector into the input jack (1) and tighten the connector screw by clockwise direction as shown in (Fig. 2).



(Fig.2)

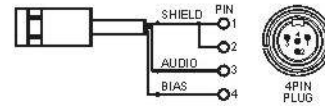
BELT PACK TRANSMITTER

3. AF INPUT CONNECTIONS

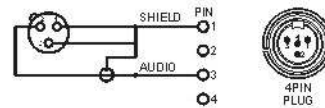
(1) 2-Wire Electret condenser microphone Capsule



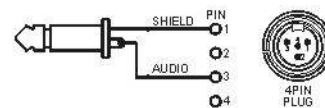
(2) 3-Wire Electret condenser microphone Capsule



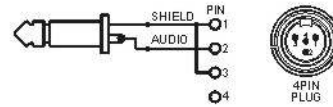
(3) Dynamic Microphone



(4) Electric Guitar



(5) Line-in (Impedance 8KΩ ATT. 10dB)



BELT PACK TRANSMITTER

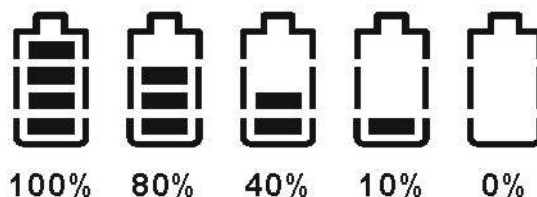
4. FUNCTIONS OF LCD DISPLAY



1. **ERR Message:** When "ERR" appears, it means "Error with the system" Please refer to the following codes to diagnose which error you are experiencing.
ERR noo1→EEPROM is not being programmed or internal data error.
ERR noo2→Testing only.
ERR noo3→The frequency you are about to program into the system exceeds microphone's upper limit. (At this time, microphone is still operatable and the frequency remains unchanged. To clear to "ERR" message in LCD display, simply turns off the power and switch back on.)
ERR noo4→The frequency you are about to program into the system is below microphone's frequency lower limit. (At this time, microphone is still operatable and the frequency remains unchanged. To clear to "ERR" message in LCD display, simply turns off the power and switch back on.)
2. **"Group" & "Channel " :** When both items are shown, they indicate that the user is currently using the pre-programmed frequency in the receiver.
3. **"Channel" Only :** If "Channel" is the only item shown in the display, it indicates the user is using the personalized frequency. (Such frequency can only be programmed via MIPRO's ACT Software and available for ACT-707B and ACT-707C only.)

BELT PACK TRANSMITTER

4. Battery Status:



Battery Status: When the battery has less than 10% power remaining, LED indicator will lit to remind you to replace the battery. If undervoltage, LCD will show "PoFF" and shut down the system to avoid battery being over-discharged.

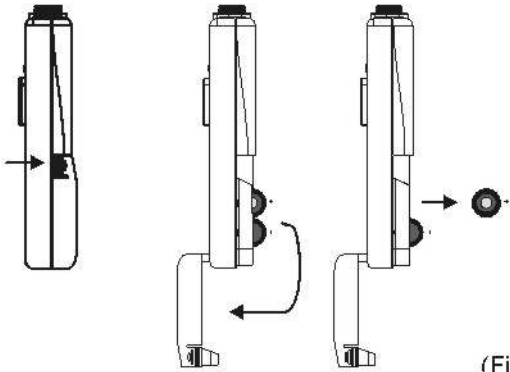
5. Switch Off:

When switch the power knob to "Off" position, LCD will show "PoFF" first. Then, the system is completely shut down and no further message will be displayed.

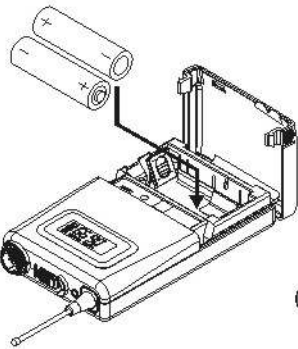
BELT PACK TRANSMITTER

5. BATTERY INSTALLATION

1. Pushing down both snap locks on the sides of battery cover to open battery cover. Take out the batteries. Fig.(2).
2. Insert a two 1.5(AA) batteries into the battery compartment according to the correct polarity as shown in Fig. (3). Then push up to close the battery compartment as shown in Fig. (3).



(Fig.2)



(Fig.3)

Notice: This device complies with part 15 of the FCC rules. Operation is subject to the following two conditions: (1) this device may not cause harmful interference and (2) this device must accept any interference received, including interference that may cause undesired operation.

IMPORTANT NOTE: To comply with the FCC RF exposure compliance requirements, no change to the antenna or the device is permitted. Any change to the antenna or the device could result in the system exceeding the RF exposure requirements.