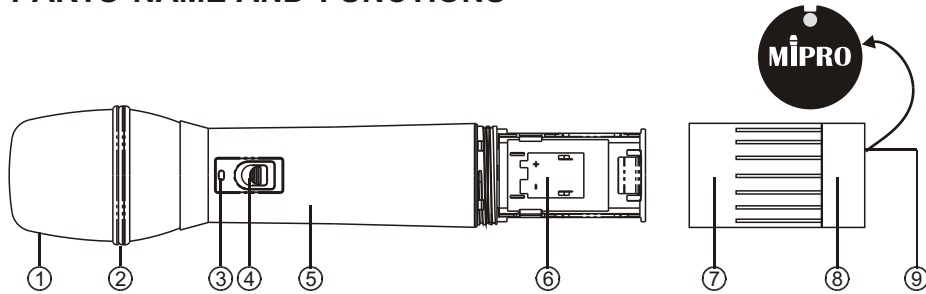


HANDHELD WIRELESS MICROPHONE

1. PARTS NAME AND FUNCTIONS

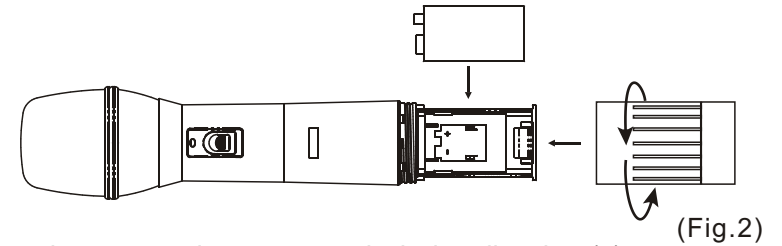


(Fig.1)

1. Grille: Protects cartridge, prevents "POP" noise and prevents microphone from rolling with polygonal shape.
2. Color Ring: For frequency differentiation.
3. Battery Status Indicator: Indicates power on / off and the battery status. When the power switch is turned ON, the red LEDs indicator flashes briefly, indicating normal battery status. If no flash occurs, it has either no battery or the battery is discharged or installed incorrectly. If after power on the indicator stays lighted, it warns that the battery is weak and should be replaced.
4. Power On-off Switch: Slide the switch for power " ON " or " OFF ".
5. Housing: Upper portion to be connected to capsule module and battery. Internally, it holds transmitter PCB.
6. Battery Compartment: Designed to accommodate two 1.5V(AA) batteries.
7. Battery Cap: Covers battery in the battery compartment.
8. Anti-roll Ring: For frequency differentiation.
9. Act Signal Receptor:

HANDHELD WIRELESS MICROPHONE

2. BATTERY INSERTION



1. Unscrew battery cap in a counter-clockwise direction (7).
2. Insert a 9V battery into the battery compartment according to the correct polarity as shown in Fig.2. The moment the battery touches the terminals, the indicator will flash briefly (7). This means the polarity is correct. However, if no flash occurs, this indicates wrong insertion or that the battery is dead. Please re-insert the battery according to its correct polarity or exchange it for a fresh battery.

3. OPERATING INSTRUCTIONS

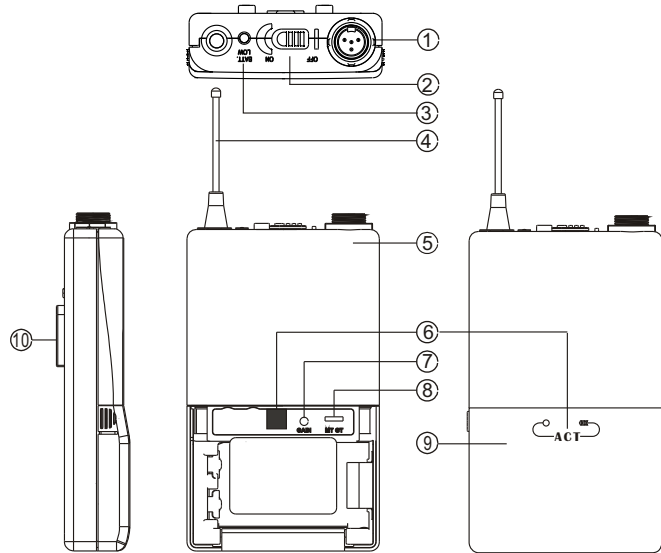
1. When microphone is switched on:
When the power is switched on, the indicator will flash briefly indicating normal operation.
2. During Usage:
The AF LED indicator on the receiver will illuminate according to the audio signal strength from the microphone.
3. When the microphone is not in use:
Make sure that you turn off the microphone after use to extend the battery life. Remove the battery from the battery compartment if microphone is not to be used again for some time. If a rechargeable battery was used, take it out and recharge it.

4. CAUTIONS

Under normal operation, when microphone and transmitter are paired together to set frequency, microphone indicator (3) will remain off after ACT setup the frequency. However, if indicator (3) is flashing, it means microphone and transmitter are not in the same frequency band. Please check the stickers on transmitter and receiver to observe if they are sharing the same frequency bands.

BELT PACK TRANSMITTER

1. PARTS NAME AND FUNCTIONS



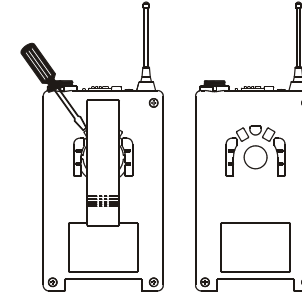
(Fig.1)

1. AF Input Jack: Connects to either lavaliers or headset microphone. (See 5 ways of connection on AF Input Connections)
2. Power Switch: Switch to ON position for operation. Switch to OFF position when not in use.
3. Battery Status Indicator: Indicates the power on / off and battery status.
 - (a) When power switch is turned on: The LED indicator flashes briefly, indicating normal battery status.
 - (b) When RED light illuminates at either power on or during usage: The battery level is low, therefore, a new battery replacement is thus necessary.
4. Transmitting Antenna: $1/4 \lambda$ transmitting antenna.
5. Transmitter Housing: Packages the PCB and battery.
6. Act Signal Receptor
7. Gain Control: Adjusts the desirous input gain.
8. GT/MT Level Select Switch: Switch GT position for electric guitar usage and "Line In". Gain Control is irrelevant for "GT". Switch to "MT" for condenser microphone or wired microphone. Gain Control works in "MT" for input sensitivity adjusting.

16

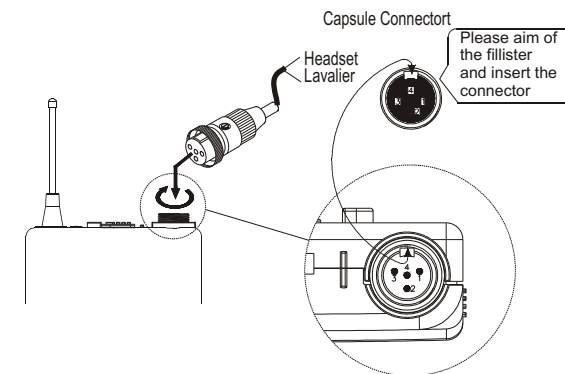
BELT PACK TRANSMITTER

9. Battery Compartment and Cover: Accommodates two 1.5V(AA) batteries.
10. Detachable Belt Clip: Allows 360 degrees rotating to suit transmitting angles. To detach simply use a screwdriver at a 45 degree angle to unfasten. see diagram.



2. OPERATING INSTRUCTIONS

1. To adjust GT/MT Switch (8), and Gain Control (7), simply push down both snap locks on the sides of battery cover and flip it backwards to expose the adjustment panel.
2. Before power on, ascertain if same channel was set up for both receiver and microphone. If not adjust to same channel accordingly.
3. The LED indicator flashes briefly when power on indicating normal battery status. If no flash occurs it has either no battery, the battery is drained or installed incorrectly. Change accordingly.
4. Plug the microphone connector into the input jack (1) and tighten the connector screw by clockwise direction as shown in (Fig. 2).



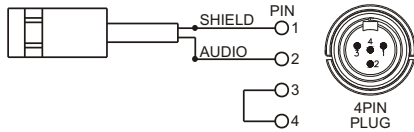
(Fig.2)

17

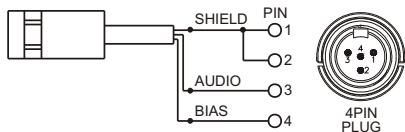
BELT PACK TRANSMITTER

3. AF 4-PIN INPUT CONNECTION METHODS

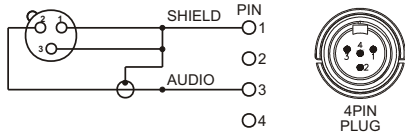
(1) 2-Wire Electret condenser microphone Capsule



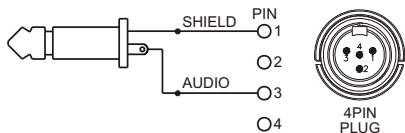
(2) 3-Wire Electret condenser microphone Capsule



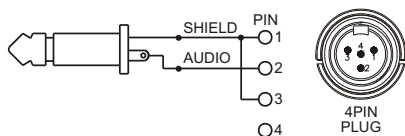
(3) Dynamic Microphone



(4) Electric Guitar



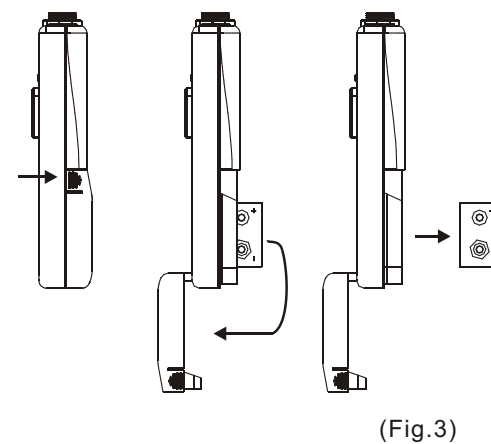
(5) Line-in (Impedance 8K Ω ATT. 10dB)



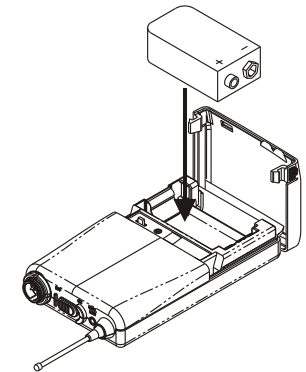
BELT PACK TRANSMITTER

4. BATTERY INSTALLATION

1. Pushing down both snap locks on the sides of battery cover to open battery cover. Take out the batteries. Fig.(3).
2. Insert a 9V battery into the battery compartment according to the correct polarity as shown in Fig. (4). Then push up to close the battery compartment as shown in Fig. (4).



(Fig.3)



(Fig.4)

5. CAUTIONS

Under normal operation, when microphone and transmitter are paired together to set frequency, microphone indicator (3) will remain off after ACT setup the frequency. However, if indicator (3) is flashing, it means microphone and transmitter are not in the same frequency band. Please check the stickers on transmitter and receiver to observe if they are sharing the same frequency bands.

Notice :

The changes or modifications not expressly approved by the party responsible for compliance could void the user's authority to operate the equipment.

IMPORTANT NOTE:

To comply with the FCC RF exposure compliance requirements, no change to the antenna or the device is permitted. Any change to the antenna or the device could result in the device exceeding the RF exposure requirements and void user's authority to operate the device.

This device complies with part 15 of the FCC Rules.

Operation is subject to the following two conditions:

- 1.This device may not cause harmful interference.
- 2.This device must accept any interference received, including interference that may cause undesired operation.

NOTE :
