

1

2

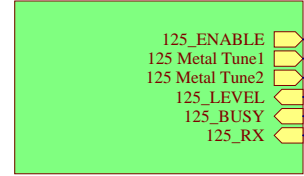
3

4

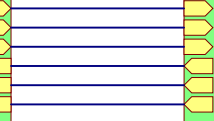
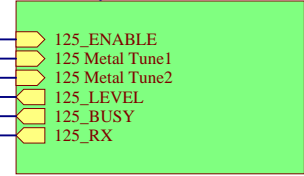
© 2022 GALLAGHER
 THE INFORMATION CONTAINED IN THIS DRAWING IS THE SOLE PROPERTY OF
 GALLAGHER GROUP LTD. ANY REPRODUCTION IN PART OR WHOLE WITHOUT
 THE WRITTEN PERMISSION OF GALLAGHER GROUP LTD IS PROHIBITED.

Revision History		
Rev	Description	Date
A	DV2	11 JUL 2022
B	Q5, Q6 to 2D0687S, U3 to 2G1152S	10 AUG 2022

MIFARE and Control
 MIFARE and Control.SchDoc



125 Circuitry
 125 Circuitry.SchDoc



A

A

B

B

C

C

D

D

1

2

3

4

FID	FID
FID	FID
FID	FID

STEP	STEP
------	------

2M8382-2

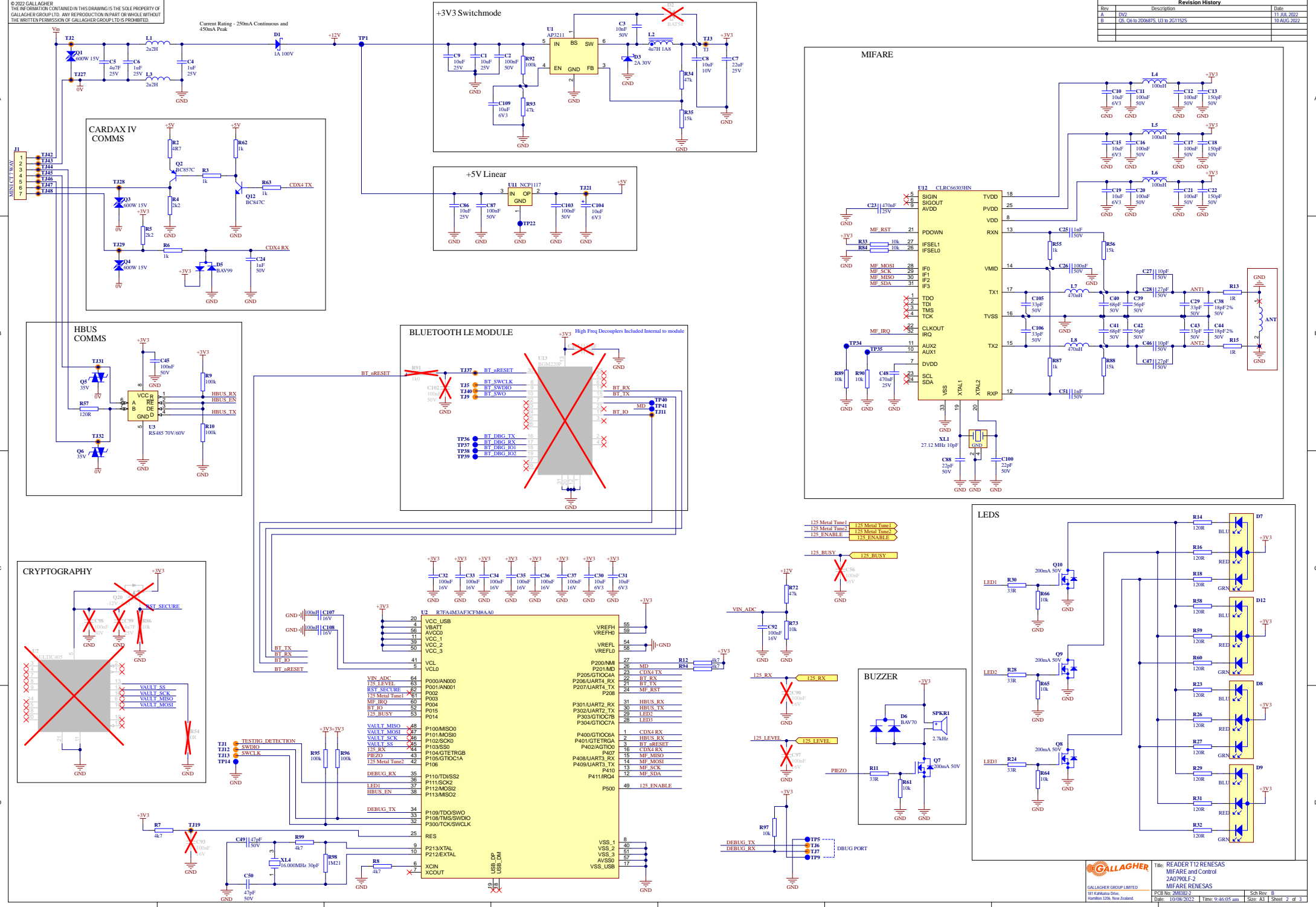
PCB No	BRDTR
BRDBL	PANELTR
PANELBL	PANELBL

PANELTR	PANELBL
---------	---------



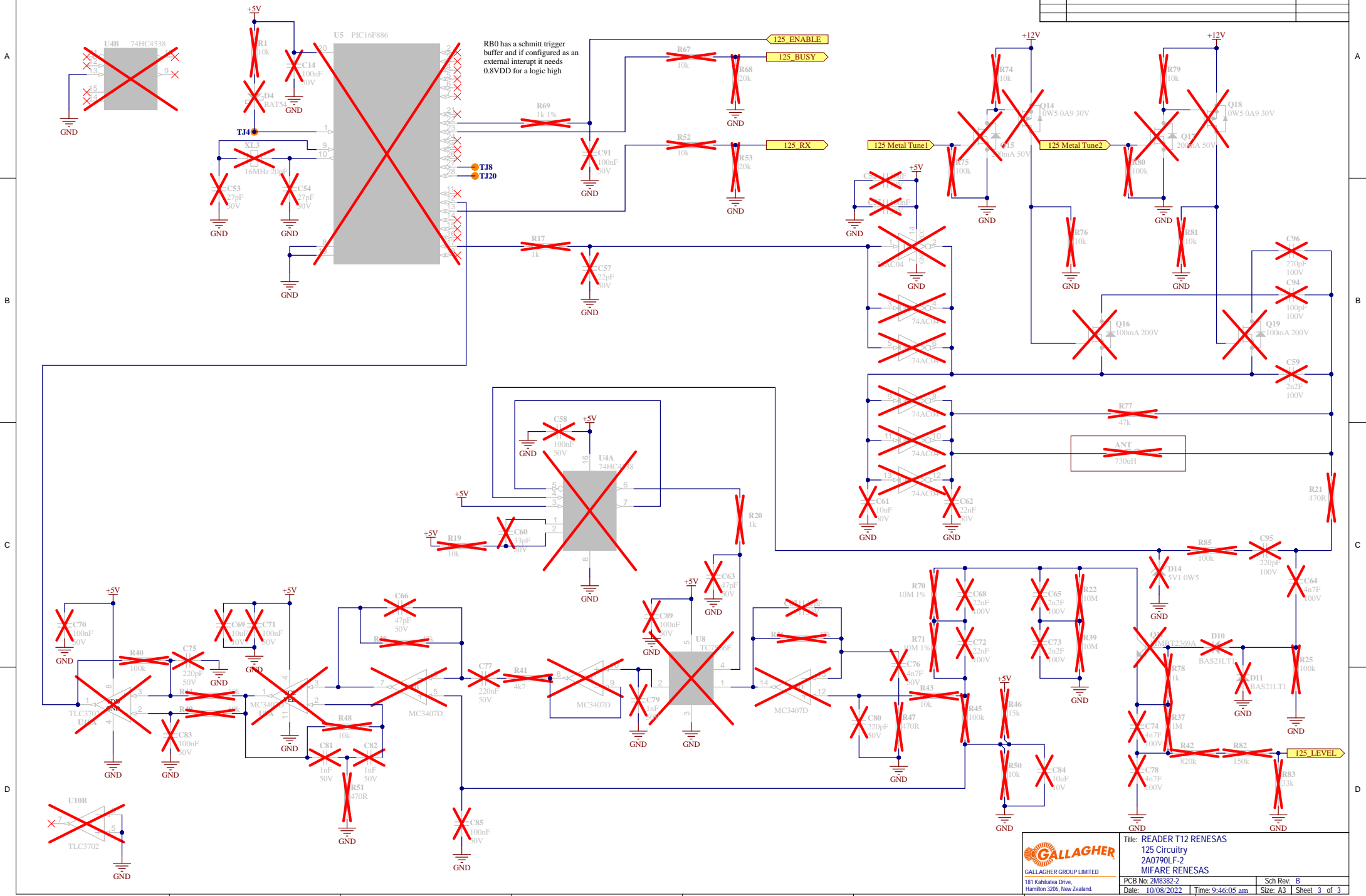
Title: READER T12 RENESAS Top Sheet 2A0790LF-2 MIFARE RENESAS			
PCB No: 2M8382-2		Sch Rev: B	
Date: 10/08/2022	Time: 9:46:05 am	Size: A4	Sheet 1 of 3

Revision History		
Rev	Description	Date
A	INV2	11 JUL 2022
B	5V3, 5V3 to 200687S, U1 to 201132S	10 AUG 2022



© 2022 GALLAGHER
 THE INFORMATION CONTAINED IN THIS DRAWING IS THE SOLE PROPERTY OF
 GALLAGHER GROUP LTD. ANY REPRODUCTION IN PART OR WHOLE WITHOUT
 THE WRITTEN PERMISSION OF GALLAGHER GROUP LTD IS PROHIBITED.

Revision History		
Rev	Description	Date
A	DV2	11 JUL 2022
B	Q5, Q6 to 2D06875, U3 to 2G11525	10 AUG 2022



Title: READER T12 RENESAS
 125 Circuity
 2A0790LF-2
 MIFARE RENESAS

PCB No: 2M8382.2
 Date: 10/08/2022

Sch Rev: B
 Time: 9:46:05 am
 Size: A3
 Sheet 3 of 3