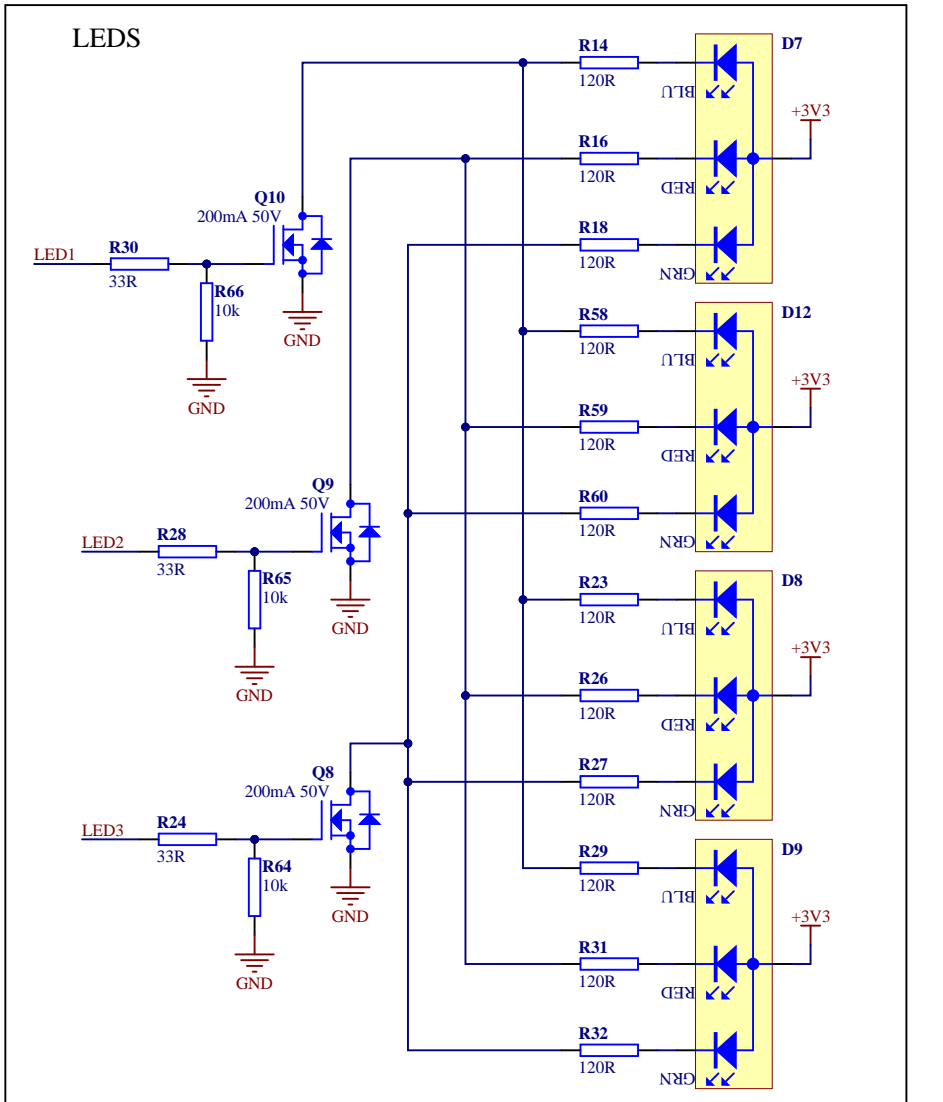
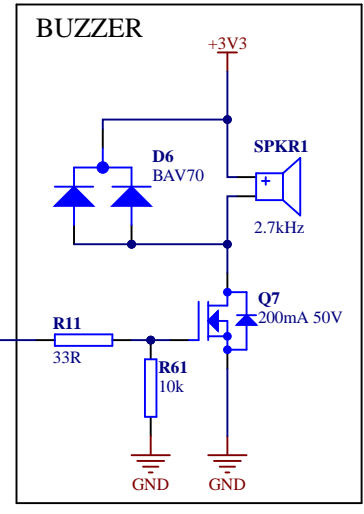
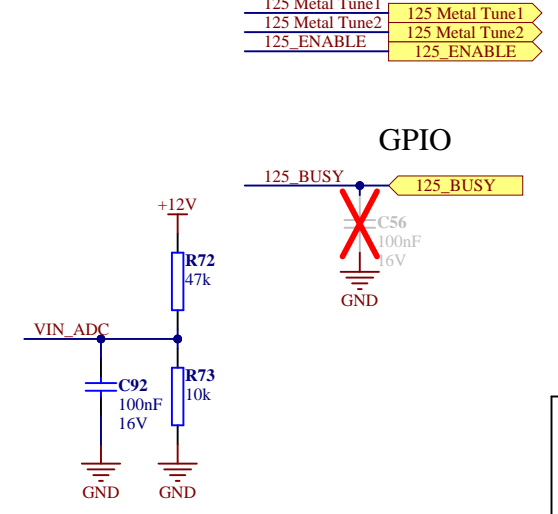
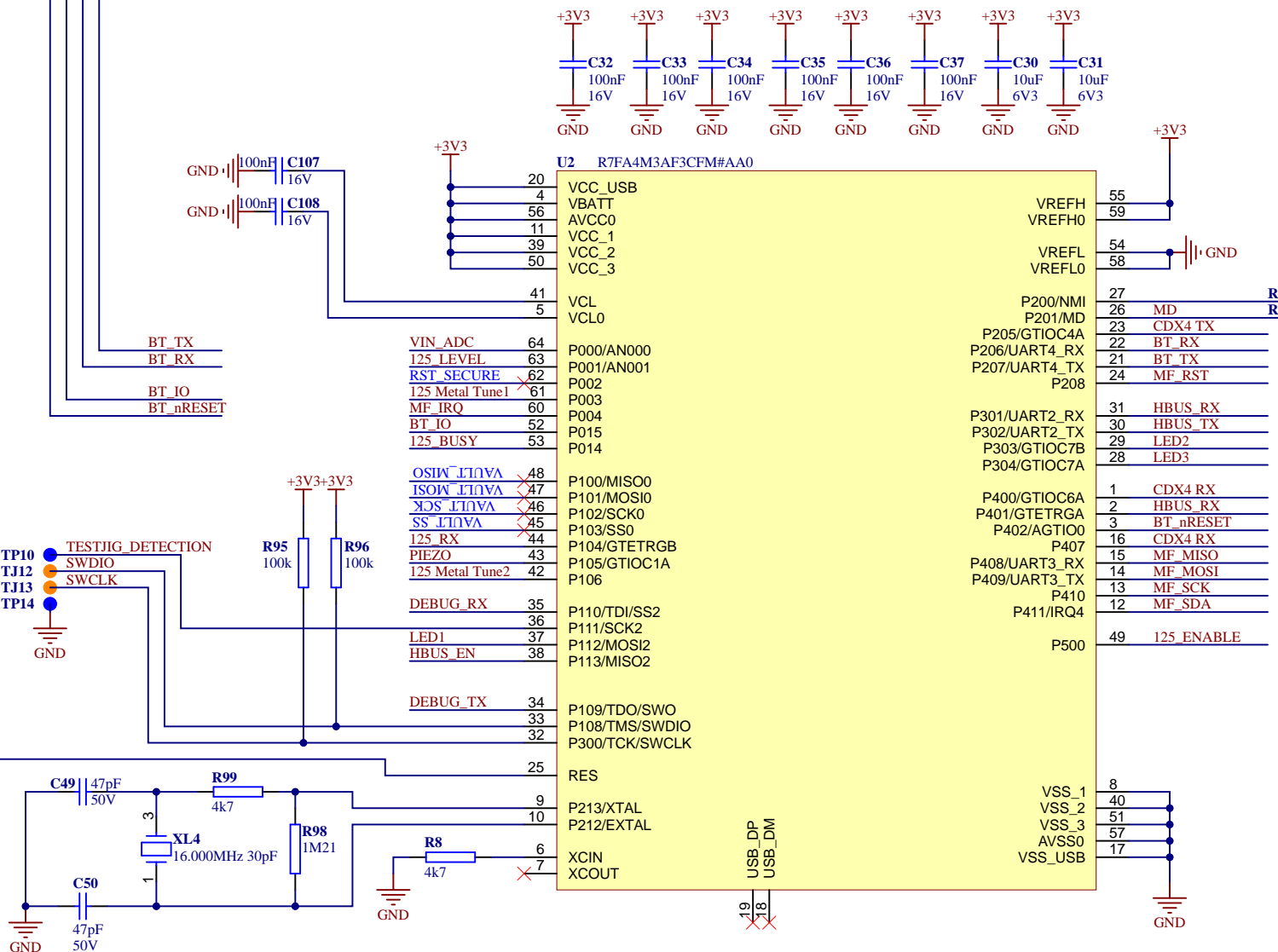
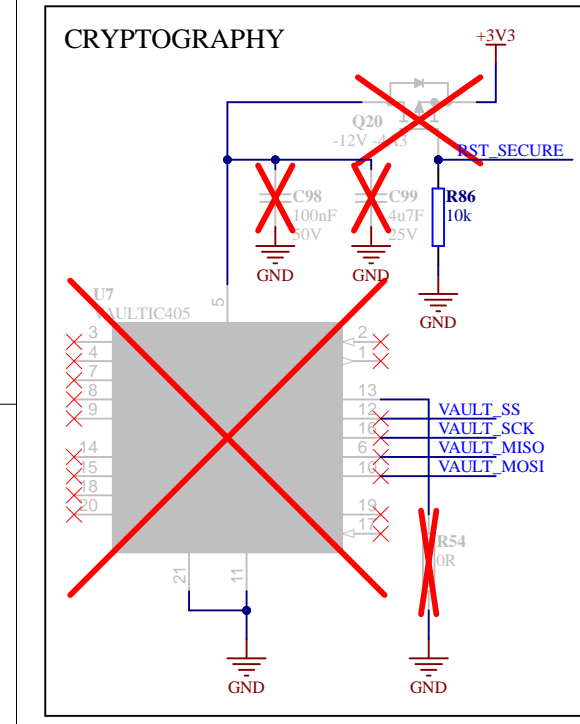
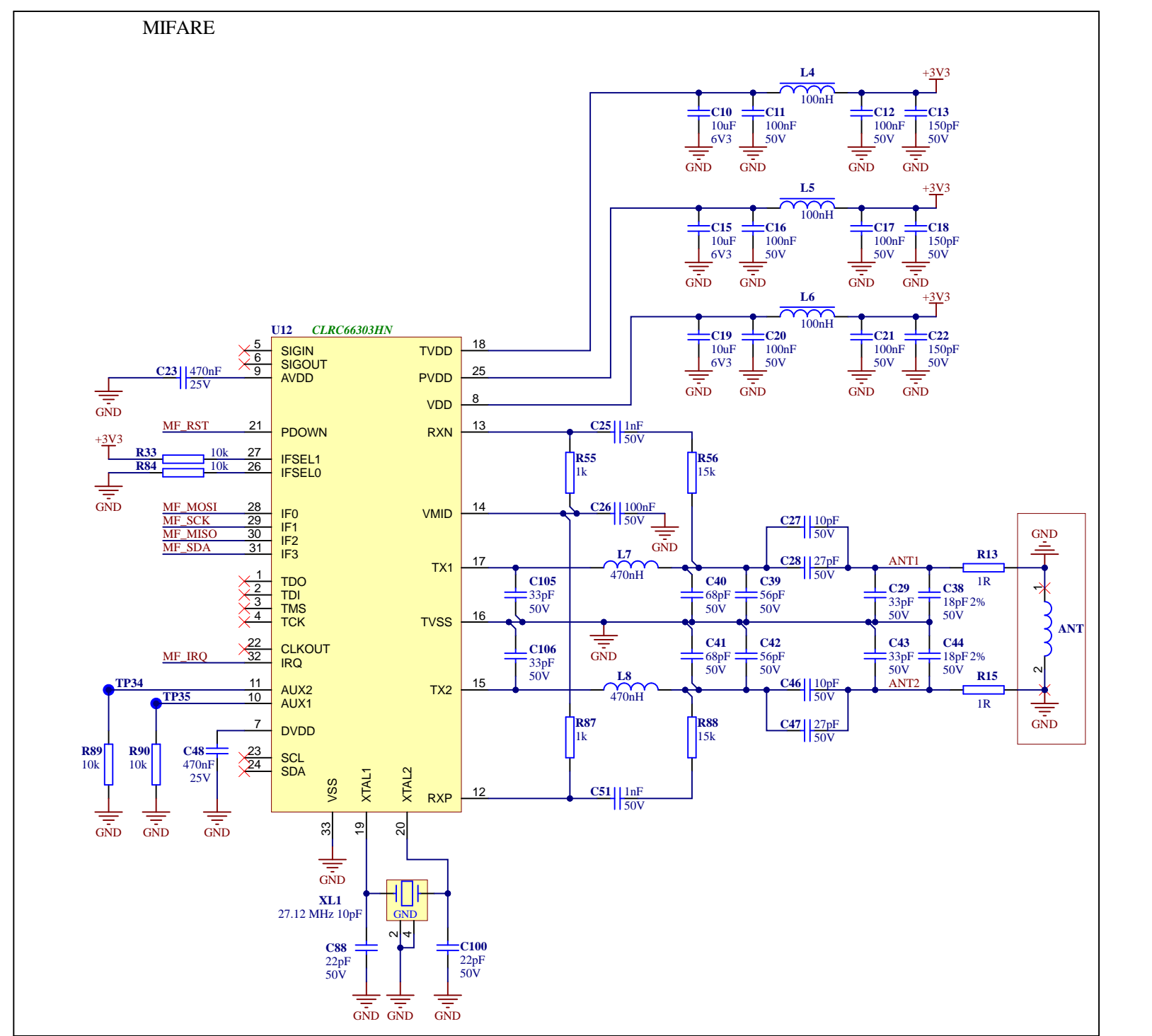
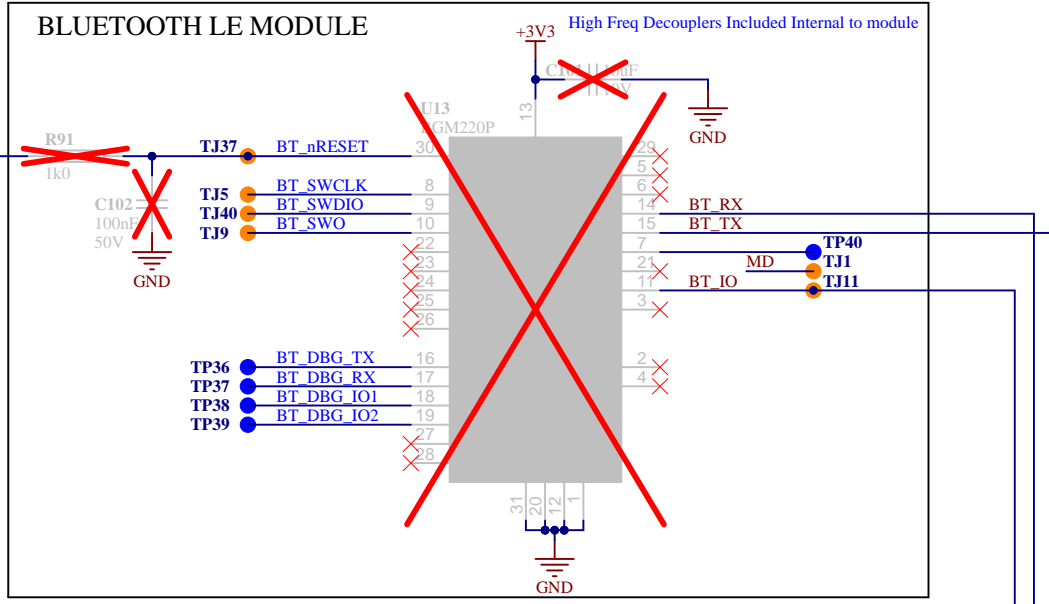
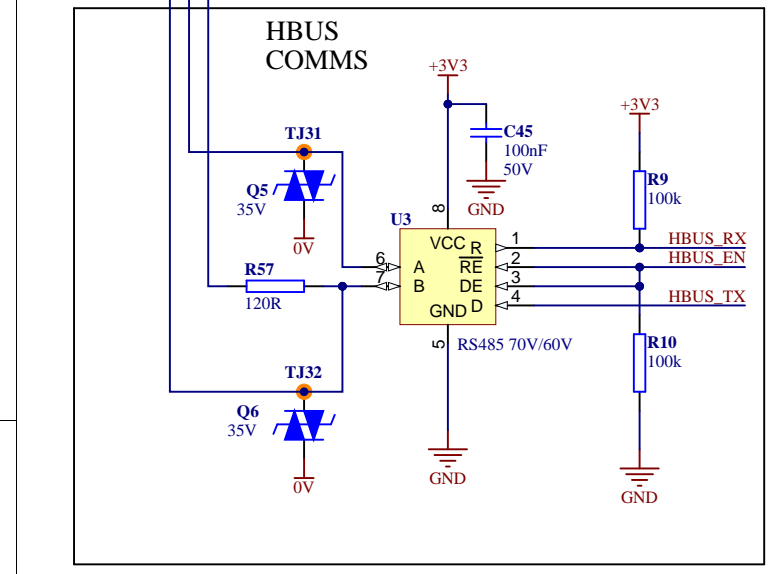
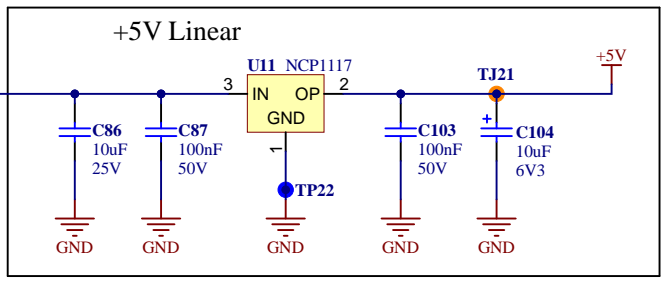
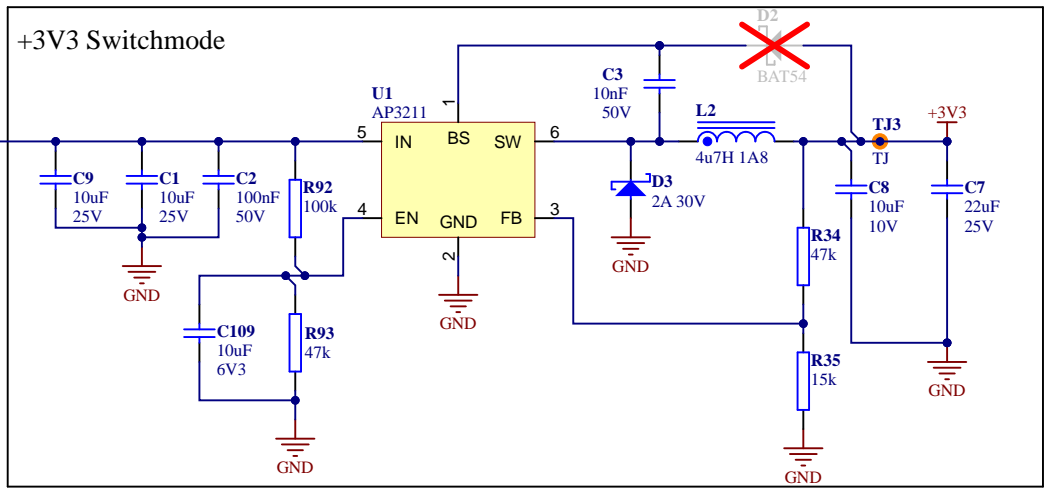
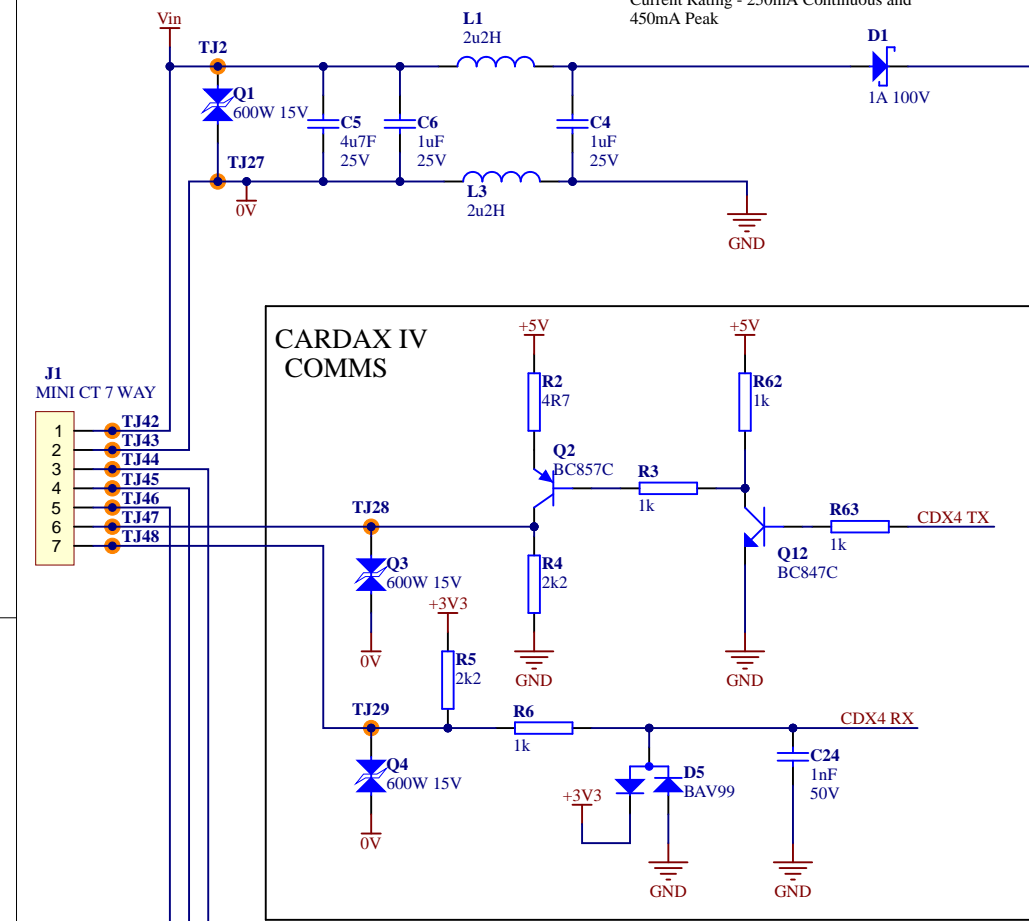
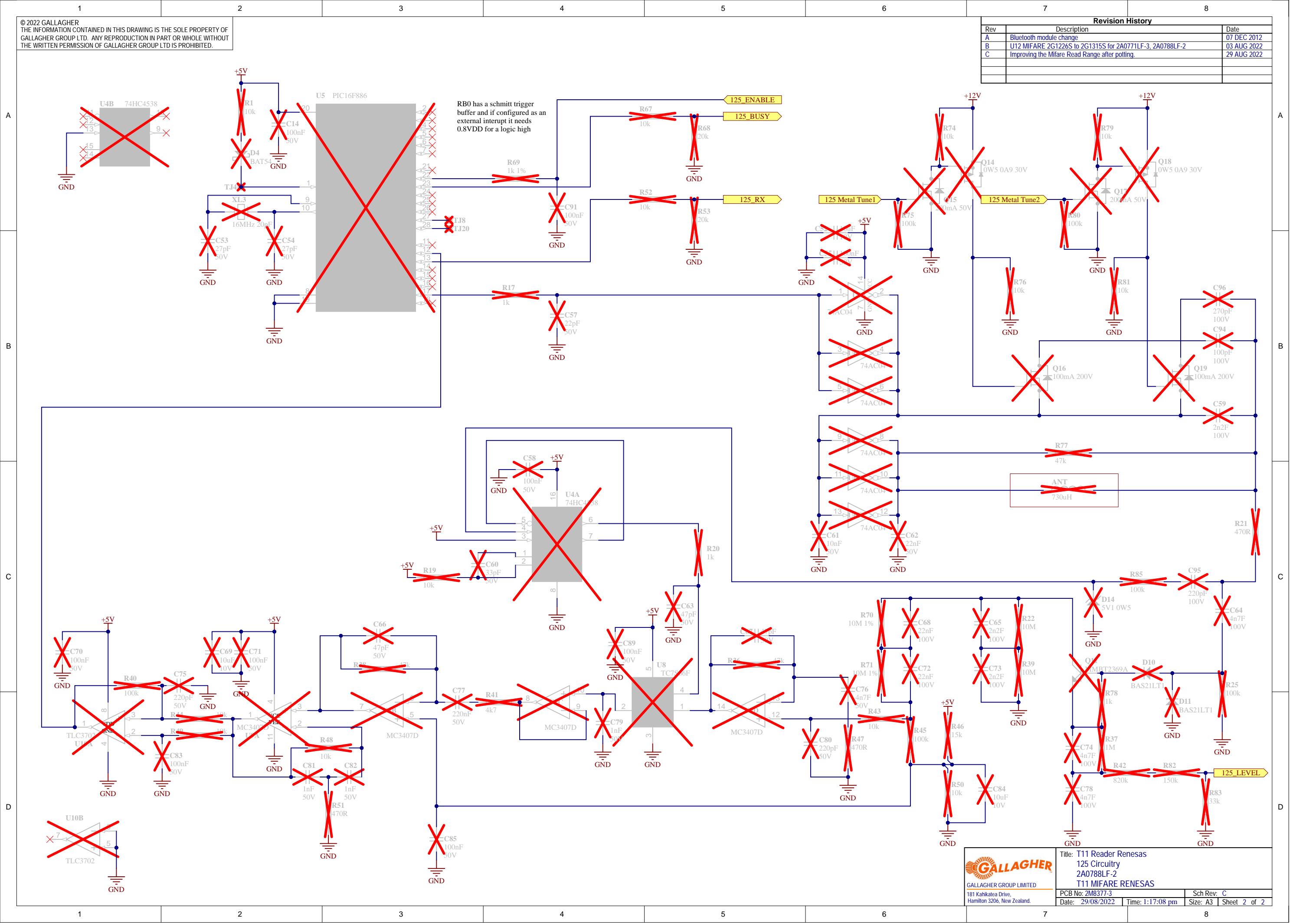


Revision History		
Rev	Description	Date
A	Bluetooth module change	07 DEC 2012
B	U12 MIFARE 2G1226S to 2G1315S for 2A0771LF-3, 2A0788LF-2	03 AUG 2022
C	Improving the Mifare Read Range after polling.	29 AUG 2022

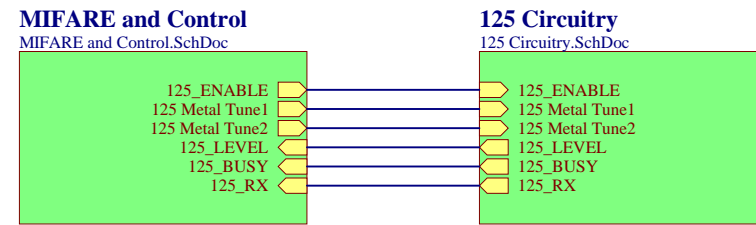


Revision History		
Rev	Description	Date
A	Bluetooth module change	07 DEC 2012
B	U12 MIFARE 2G1226S to 2G1315S for 2A0771LF-3, 2A0788LF-2	03 AUG 2022
C	Improving the Mifare Read Range after potting.	29 AUG 2022



© 2022 GALLAGHER
 THE INFORMATION CONTAINED IN THIS DRAWING IS THE SOLE PROPERTY OF
 GALLAGHER GROUP LTD. ANY REPRODUCTION IN PART OR WHOLE WITHOUT
 THE WRITTEN PERMISSION OF GALLAGHER GROUP LTD IS PROHIBITED.

Revision History		
Rev	Description	Date
A	Bluetooth module change	07 DEC 2012
B	U12 MIFARE 2G1226S to 2G1315S for 2A0771LF-3, 2A0788LF-2	03 AUG 2022
C	Improving the Mifare Read Range after potting.	29 AUG 2022



PANELTR PANELBL
 STEP2 STEP
 STEP1 BRDTR
 BRDTR BRDTR
 BRDBL BRDBL
 2M8377-3 PCB

 GALLAGHER GROUP LIMITED 181 Kahikatea Drive, Hamilton 3206, New Zealand.	Title: T11 Reader Renesas Top Level 2A0788LF-2 T11 MIFARE RENESAS		
	PCB No: 2M8377-3	Date: 29/08/2022	Time: 1:17:08 pm
	Sch Rev: C	Size: A3	Sheet 3 of 3