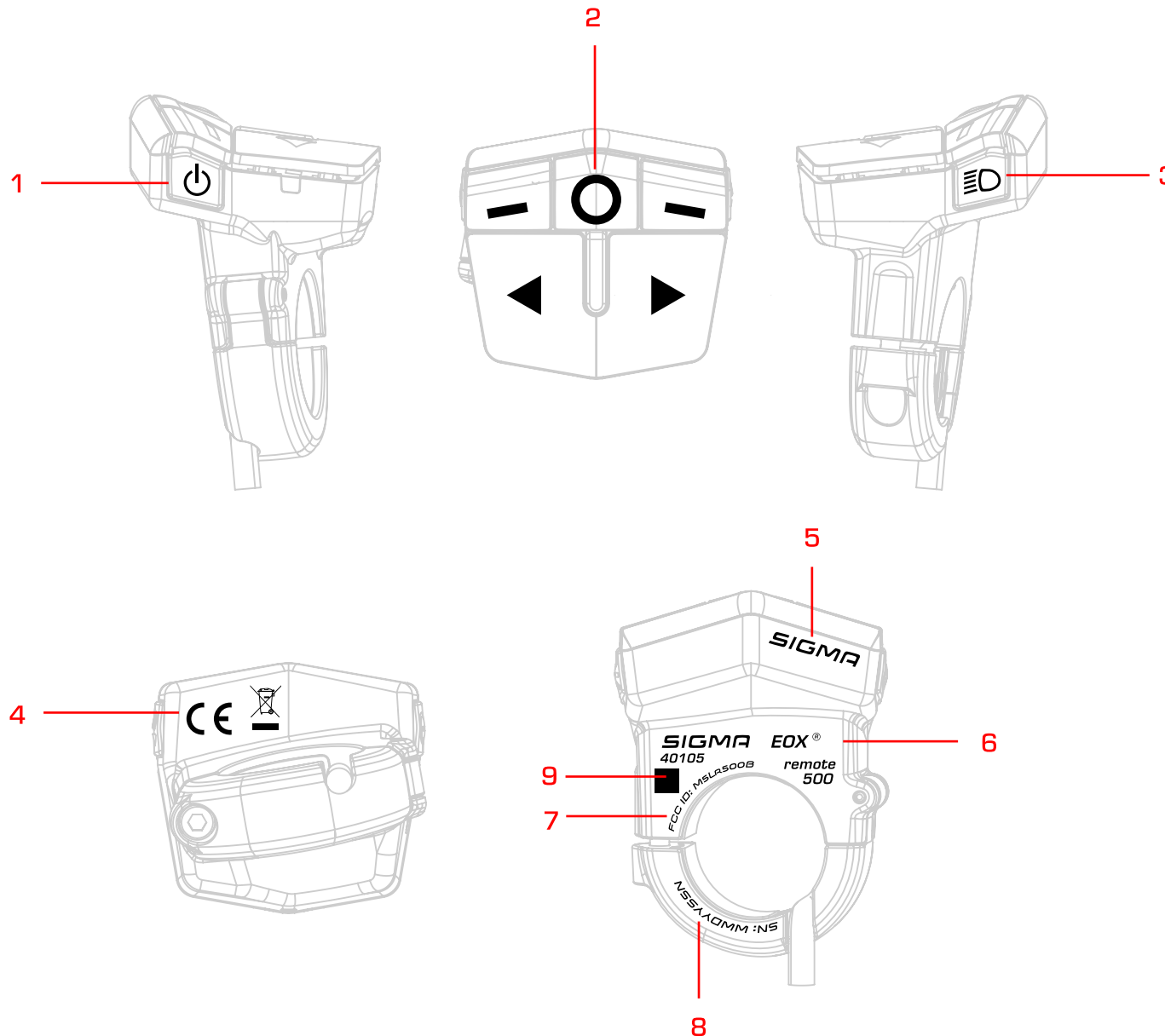


## E0X remote 500 // artwork HZM version



1. ON/OFF symbol:  
- laser etched into button paint
2. icons on top buttons:  
- laser etched into button paint
3. LIGHT symbol:  
- laser etched into button paint
4. CE and dustbin logo:  
- laser printing, white
5. SIGMA logo:  
- silk screen printing, silver
6. Product designation:  
- laser printing, white
7. FCC ID (optional):  
- laser printing, white
8. serial number:  
- laser printing, white  
Format for Serial number:  
WWDYYSXXXX  
WW(week of the year)  
D(day of the week)  
YY(year)  
S(Supplier letter)  
XXXXX [production number on this day]
9. serial number data matrix:  
- laser printing, white  
- codes the serial number as a data matrix

**SIGMA-ELEKTRO GmbH**

Dr.-Julius-Leber-Straße 15  
D-67433 Neustadt/Weinstraße