

APPROVAL SHEET

CUSTOMER

MODEL NO . : NAS-T0405(N)

DESCRIPTION : **Tri-Band Flying Lead
Omni-Directional Antenna**

Customer Approval

--	--	--

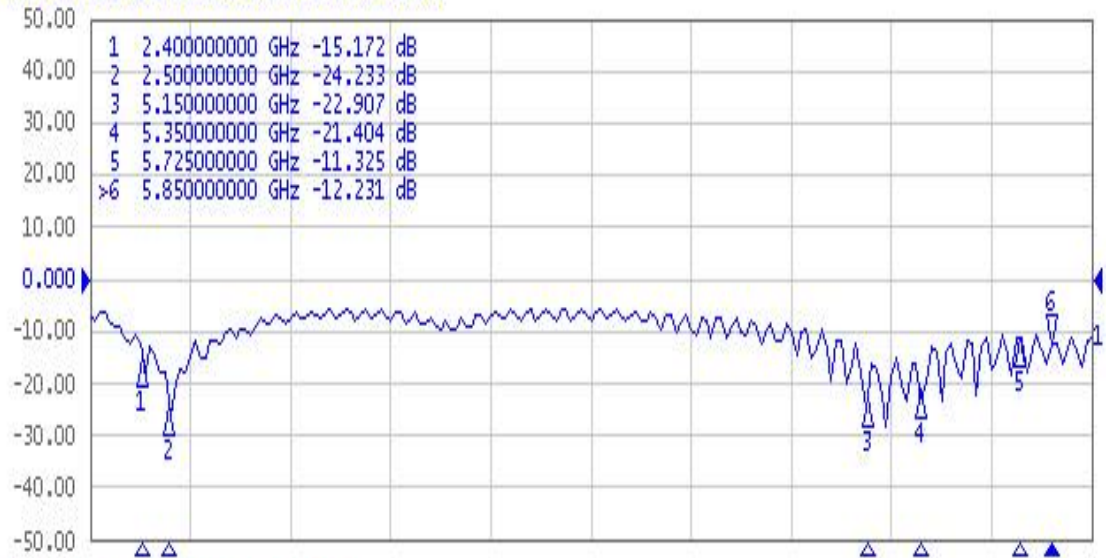
Model No. : **NAS-T0405(N)**

Specifications

- | | |
|-------------------------|-----------------------------|
| 1. Frequency Range..... | 2.4~2.4835GHz |
| | 5.15~5.85GHz |
| 2. Impedance..... | 50 Ohms (nominal) |
| 3. SWR..... | ≤ 2.0 |
| 4. Return Loss..... | ≤ -9.6 dB |
| 5. Gain..... | 4.0dBi(2.45GHz) |
| | 5.0dBi(5.25GHz) |
| | 4.5dBi(5.75GHz) |
| 6 .Polarization..... | Vertical |
| 7. Connector..... | SMA Plug (Reverse Polarity) |
| 8. Cable..... | RG-316 |

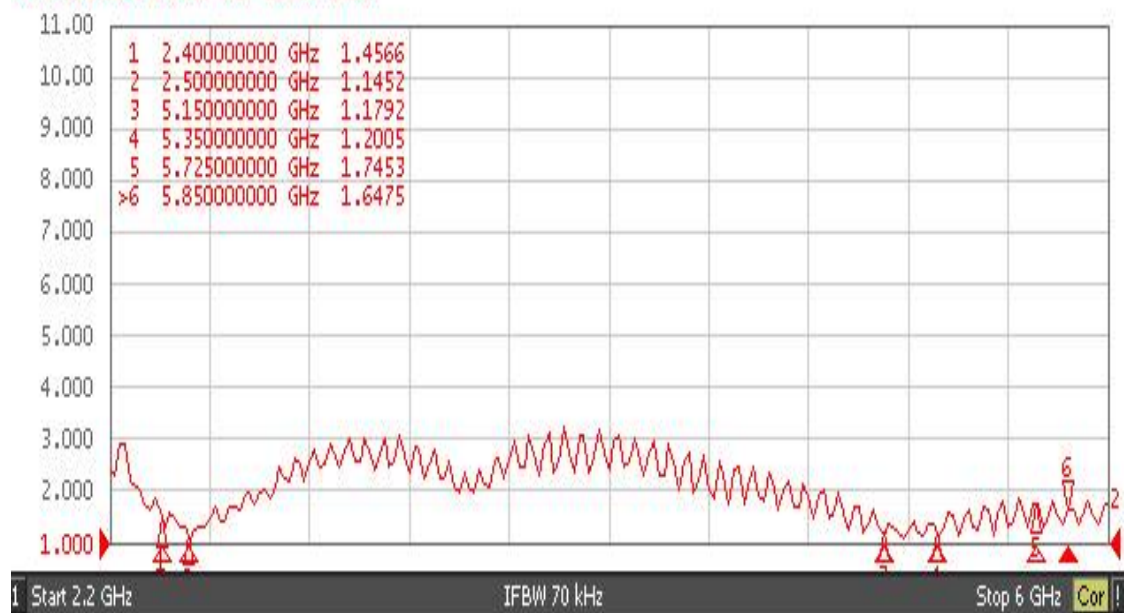
Return Loss

Tr1 544 Log Mag 10.00dB/ Ref 0.000dB [R0]



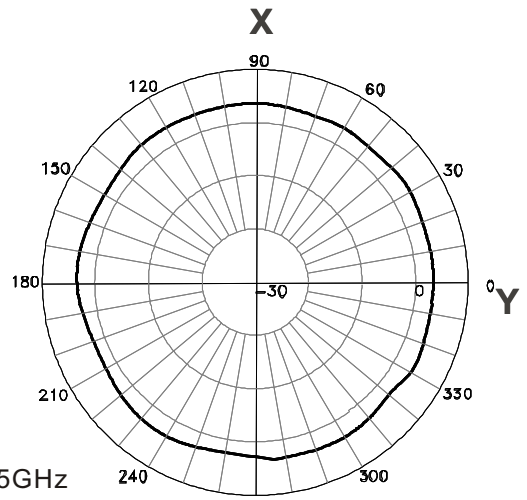
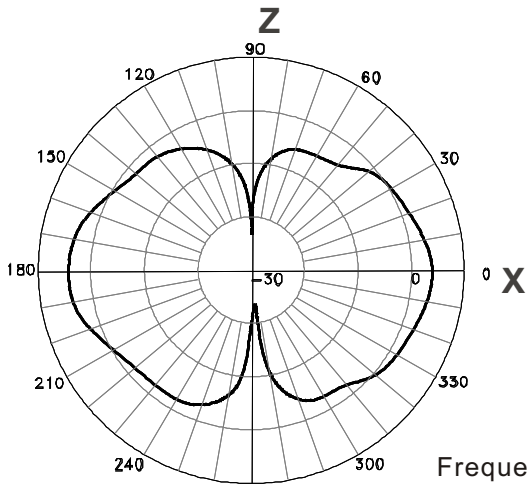
SWR

Tr2 544 SWR 1.000/ Ref 1.000 [R0]

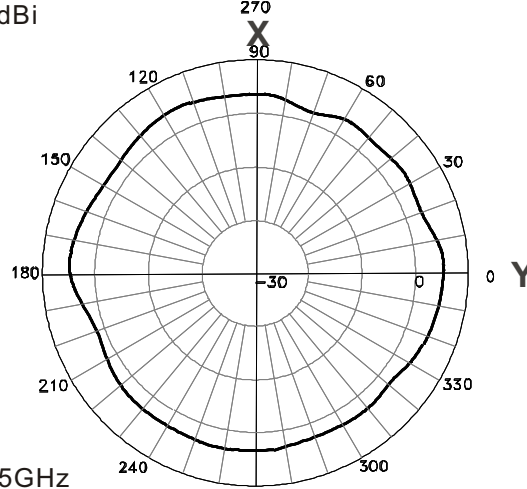
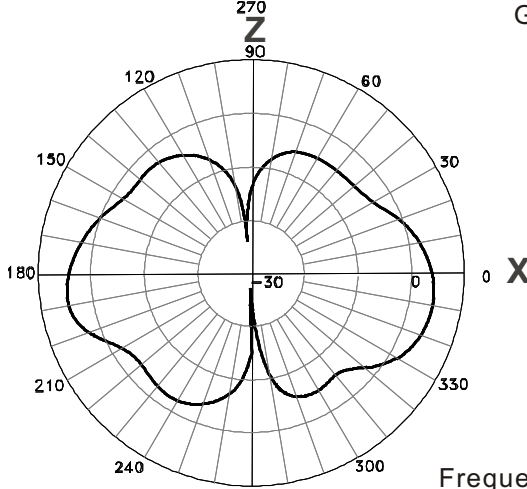


E-Plane Field Patterns

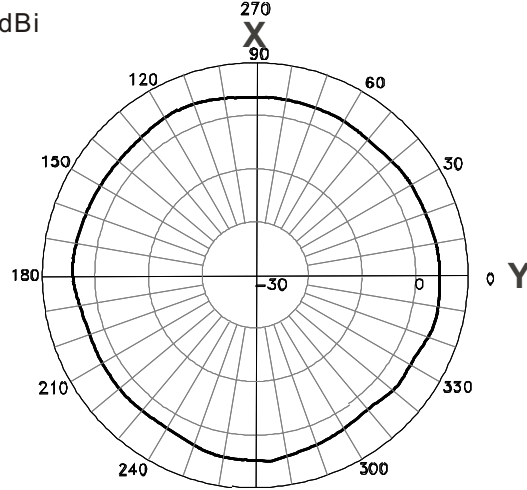
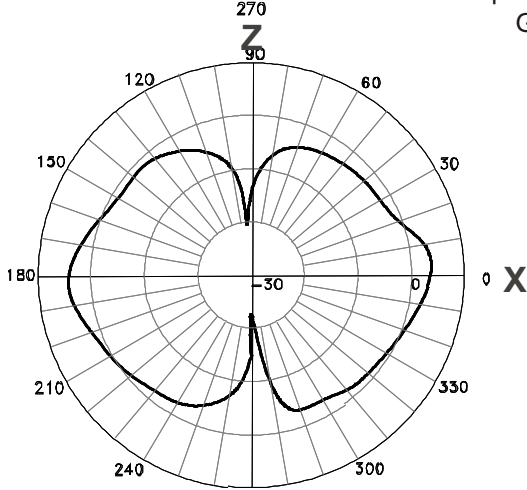
H-Plane Field Patterns



Frequency: 2.45GHz
Gain: 4.0dBi

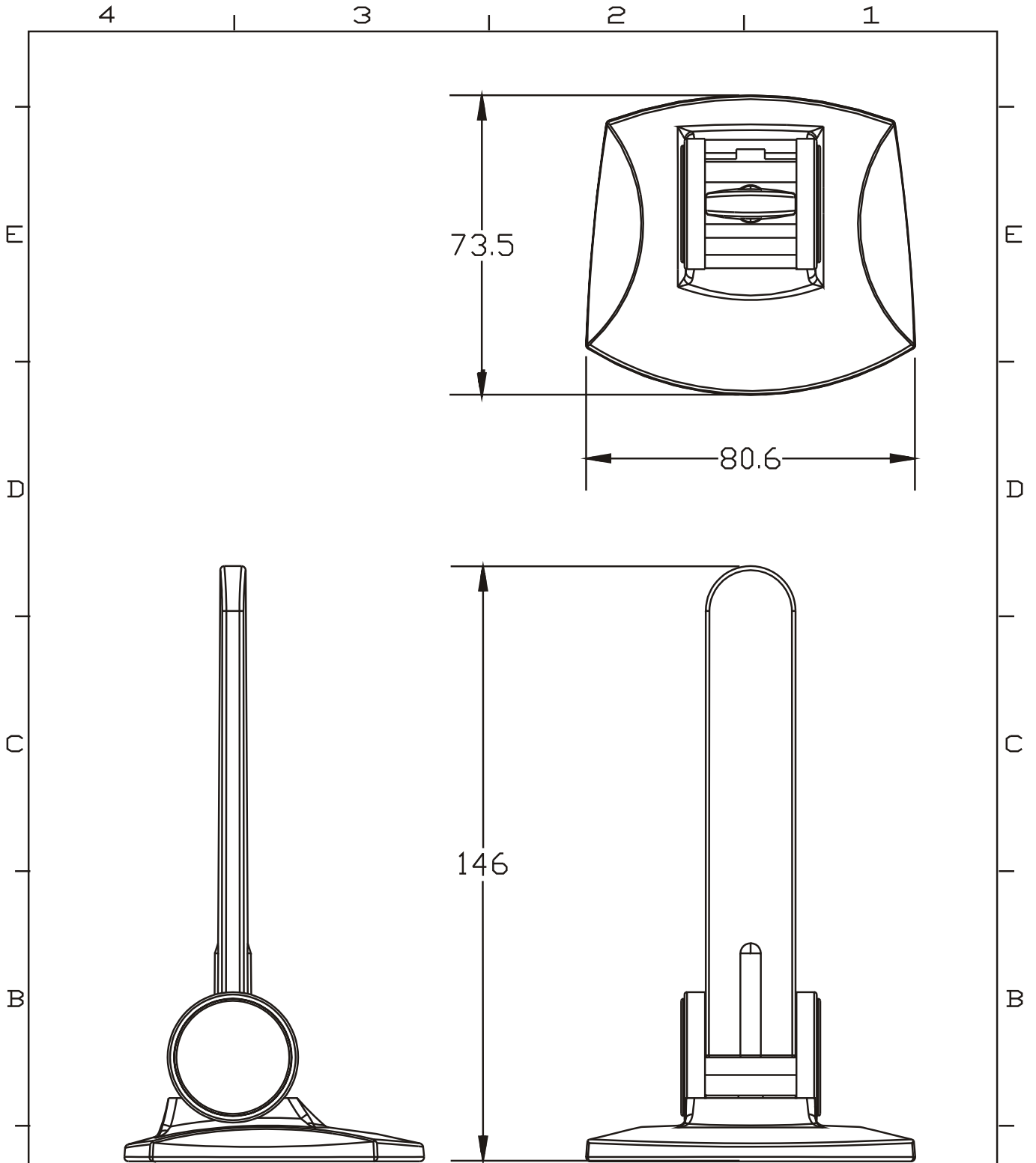


Frequency: 5.25GHz
Gain: 5.0dBi



Frequency: 5.75GHz
Gain: 4.5dBi

Model No. : **NAS-T0405(N)**



MATERIAL	TREATMENT			MODEL	NAP-T0405(N)	
UNIT	mm	SCALE	QUANTITY	NAME	Style Antenna	
DESIGN	DRAWN	CHECKED	APPROVED	DATE	DWN NO.	ANT
Robert Kung					BOM NO.	

Model No. : **NAS-T0405(N)**

